



**Product:** 30 Inch Microwave Drawer in Stainless Steel  
**Model Number:** TMD3001

## TECHNICAL DETAILS

Installation Type	Built-In
Color/Finish	Stainless Steel
Capacity	1.2 cu. ft.
Output Power	950W
Microwave Drawer Open	Easy Touch Automatic
Sensor Cook, Reheat and Popcorn	12 Settings
Reheat	2 Settings
Defrost	6 Settings
Keep Warm	Up To 30 Mins
Timer/Clock	Yes
Interior Oven Light	Yes
Control Lock	Yes
Demo Mode	Yes
Power Connection	3 - Prong Grounding Plug
Power Ratings	120V, 60Hz / 1.67kW, 14.5 Amps



## CONTROL PANEL DETAILS

Location	Center/Top
Display Type	LCD
Color (Front/Background)	White on Black

## ACCESSORIES (NOT INCLUDED)

30" Flush Mount Kits	FMK30D1
----------------------	---------

## FEATURES & BENEFITS

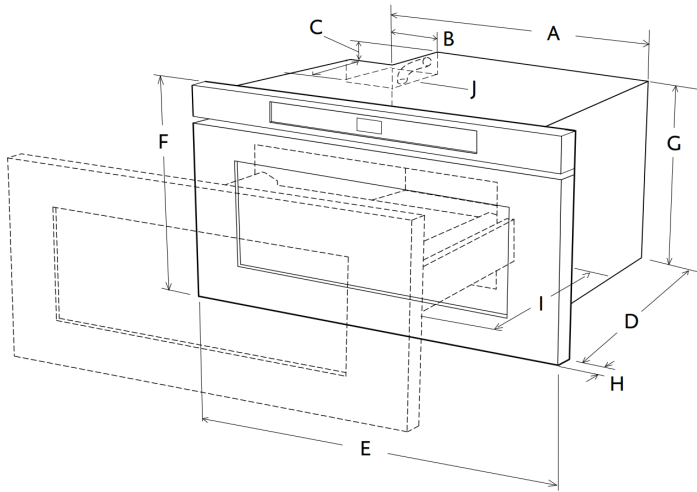
- Drawer Design:** The 30-inch Microwave Drawer is flexible to your kitchen design and can be placed below an island, peninsula, or standard cabinetry or can also be installed adjacent to your wall oven.
- 12 Unique Sensor Functions:** 12 unique easy-to-use food prep functions include everyday functions like defrost and a beverage center as well as luxury features such as two popcorn settings, melting chocolate, and softening ice cream. Use the "add a minute" feature to top off the perfect cook.
- Multiple Power Modes:** Offers 10 power modes for precision heating, from a delicate power mode for melting chocolate to cranking up the power and using 950-watts for cooking and defrosting your favorite foods. The control is at your fingertips.
- Auto Touch Open/Close Control:** Allows you to easily open and close the microwave drawer at the touch of a button.
- Spacious Capacity:** 1.2 cu.ft. capacity can accommodate a variety of different container shapes and sizes.
- Keep Warm Function:** Delivers brief pulses of microwave power to keep your cooked foods warm without overcooking until they're ready to be served.
- Sleek Design:** Stainless steel flush to cabinet design features a white touch LCD display that's easy to operate and easy to clean.



## PRODUCT DIMENSIONS & WEIGHTS

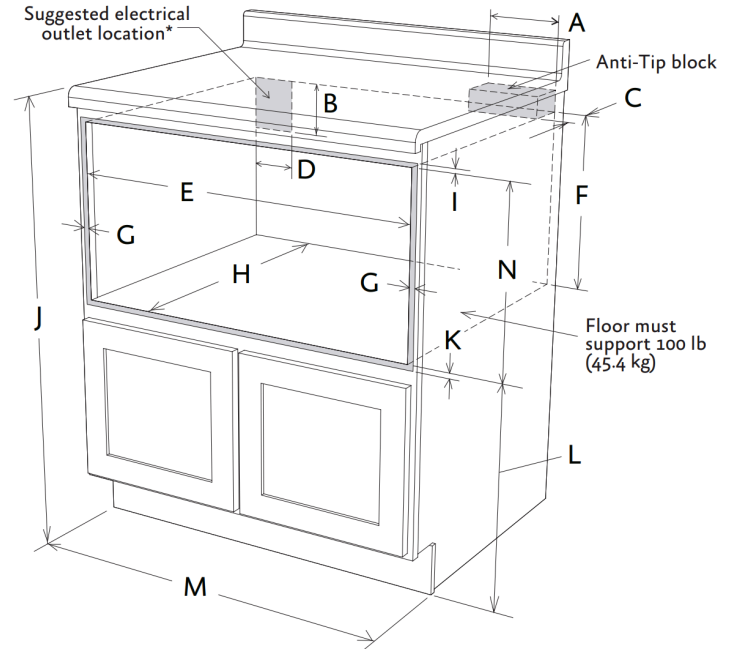
Product Dimensions (W x D x H)	30" x 23 1/64" x 15 7/8"
Standard Cutout Dimensions (W x D x H)	28 7/16" x 23 1/2" x 15 9/16"
Product Weight	79 lbs
Shipping Weight	91 lbs

### 30" DRAWER MICROWAVE DIMENSIONS



- A** 21-5/8" [549.28 mm] unit width
- B** 4-11/16" [119.06 mm] cord recess width
- C** 1-3/4" [44.45 mm] cord recess height
- D** 21-7/8" [555.60 mm] unit depth without door
- E** 30" [762 mm] width of door face
- F** 15-7/8" [403.22 mm] height of door face
- G** 14-19/32" [370.69 mm] height of body
- H** 1-9/64" [29 mm] door thickness
- I** 15" [381 mm] auto drawer opening
- J** 4" [101.6 mm] cord recess depth

### 30" DRAWER MICROWAVE STANDARD MOUNT CUTOUT



- A** 6" [152.40 mm] Anti-Tip block width
- B** 5" [127 mm] electrical outlet opening height
- C** 3-1/2" [88.90 mm] Anti-Tip block depth
- D** 4" [101.60 mm] electrical outlet opening width
- E** 22-1/8" [561.98 mm] minimum to 28-7/16" [711.2 mm] maximum opening width
- F** 14-13/16" [376.24 mm] to bottom of Anti-Tip block
- G** Allow 23/32" [18.26 mm] overlap
- H** 23-1/2" [596.90 mm] minimum depth
- I** Allow 3/16" [4.76 mm] overlap
- J** 36" [914.4 mm] countertop height
- K** Allow 1/8" [3.17 mm] overlap
- L** 19" [482.60 mm] to top of floor
- M** 30" [762 mm] cabinet minimum width
- N** 15-9/16" [395.27 mm] opening minimum height

