

ASSEMBLY INSTRUCTIONS

# King Headboard

MOD-5212 / V1 04.02.26

---

**modway**



Questions? Contact us!  
609.256.9000  
[cs@modway.com](mailto:cs@modway.com)

# Welcome. Let's get started.

Before you begin, here are some things to keep in mind:

Assembly will take most people **about 30 minutes**. Consider having a friend help you!

**Only use hand tools to assemble this item.** Do not use power tools. Do not tighten bolts or screws completely until all hardware is lined up and inserted into the holes.

**Read through all of the instructions before starting. Make sure you have all parts and components before discarding any packing materials.**

Do not over-tighten screws and bolts to avoid stripping the hardware or cracking the item.

Assemble your item on a flat, carpeted area, with plenty of space to work. This will prevent damage and scratches to your floors or the item while you're assembling the product.

Keep all components and packaging out of reach of children or animals to avoid risk of choking or suffocation.

**Care instructions are listed in the last step**

**WAIT!**




Missing parts or hardware? Need assistance?

Contact us before returning your item. We're here to help!









## HARDWARE INCLUDED IN THE BOX:

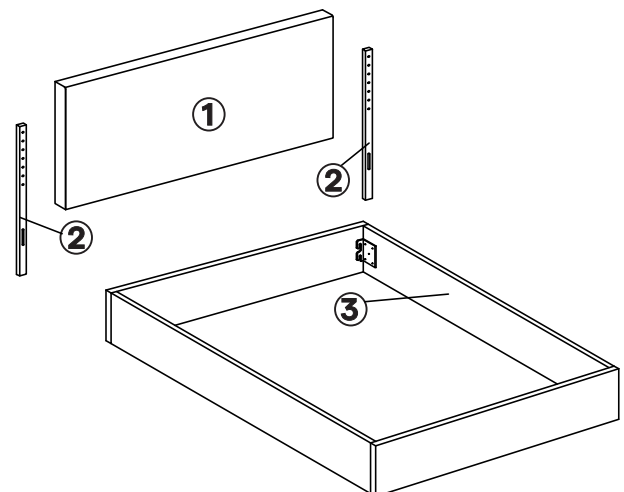
### HARDWARE FOR HEADBOARD:

A		Bolt M8x45mm	x4
B		Flat Washer	x4
C		Allen Key M5	x1

### HARDWARE FOR BED FRAME:

D		Bolt M8x45mm	x4
E		Bolt M8x60mm	x4
F		Flat Washer M6	x8
G		Spring Washer M6	x4
H		Hex Nut 5/16"	x4
I		Wrench	x1

## FURNITURE COMPONENTS:



1	Headboard	x1
2	Leg	x2
3	Bed frame	x1

### NOTE

Headboard and bed frame purchases are separate. Depending on your configuration, please follow the assembly instruction that correspond to your purchase.

## HEADBOARD ONLY ASSEMBLY

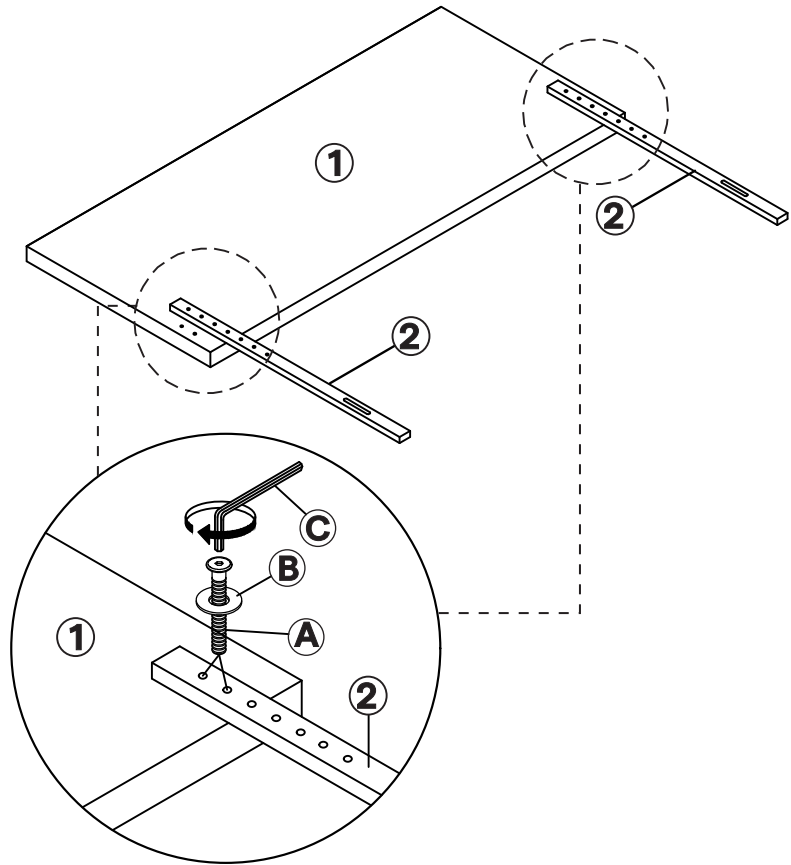
### COMPONENTS

- 1** Headboard x1
- 2** Legs x2

### HARDWARE

- A** Bolt M8x45mm x4
- B** Flat Washer 2mm x4
- C** Allen Key x1

Assemble headboard holes according to your desire headboard size and height



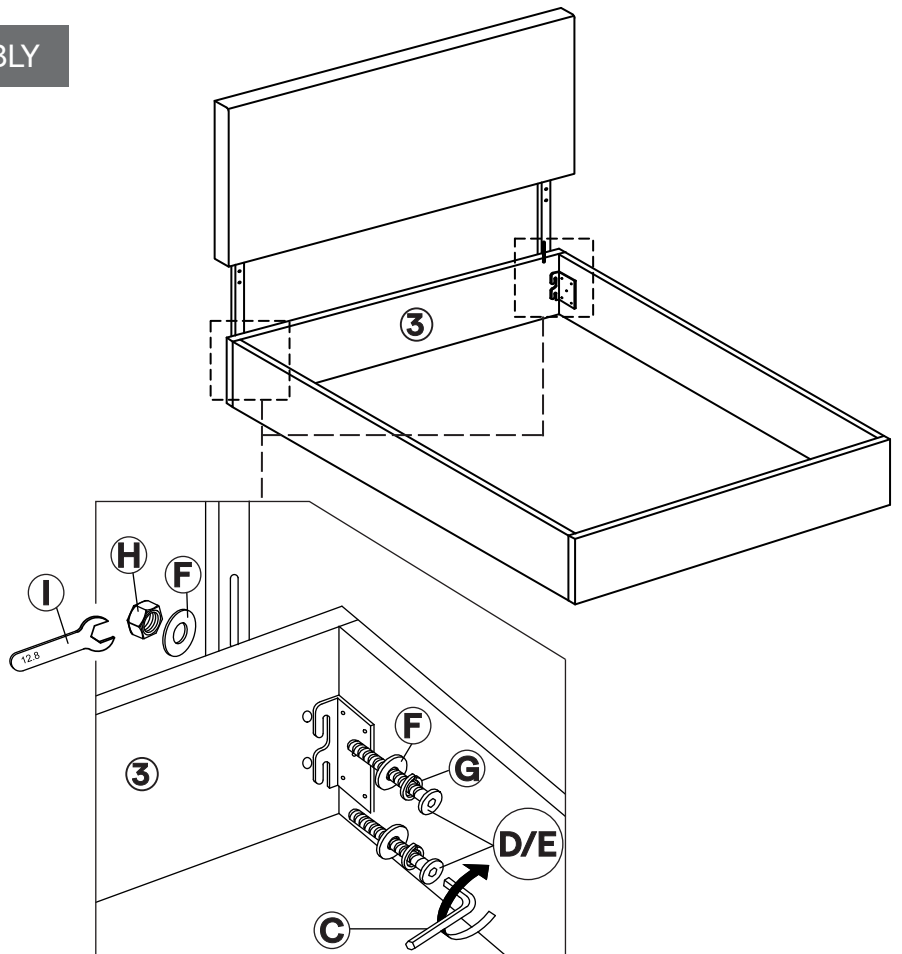
## HEADBOARD + BED FRAME ASSEMBLY

### COMPONENTS

- 3** Bedframe x1

### HARDWARE

- C** Allen Key M5 x1
- D** Bolt M8 x 45mm x4
- E** Bolt M8 x 60mm x4
- F** Flat Washer M6 x8
- G** Spring Washer M6 x4
- H** Hex Nut 5/16" x4
- I** Wrench x1



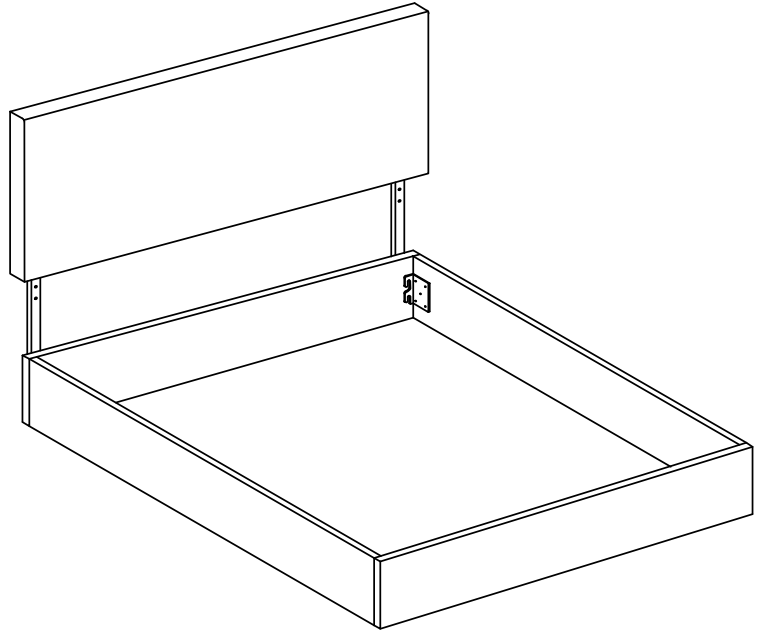
# Great job!

Your new headboard and bed frame assembly is complete.

---

## CARING FOR YOUR ITEM

- Indoor use only.
- Not contract grade.
- Clean using a non-abrasive cloth and a mild cleaner.
- Never use harsh chemicals, as they could damage the finish or integrity of the item.



## CONNECT WITH US!

Tag us [@modway\\_furniture](#) and [#modway](#) for a chance to be featured.

# modway



Questions? Contact us!  
609.256.9000  
[cs@modway.com](mailto:cs@modway.com)