

ASSEMBLY INSTRUCTIONS
COASTER FINE FURNITURE



Fine Furniture for every stage of life

460209WHT(B1&B2)
Full/Twin Workstation Bunk Bed

ITEM: 460209WHT(B1&B2)



ASSEMBLY INSTRUCTIONS

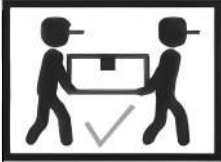
ASSEMBLY TIPS:

1. Remove hardware from box and sort by size.
2. Please check to see that all hardware and parts are present prior to start of assembly.
3. Please follow attached instructions in the same sequence as numbered to assure fast & easy assembly.



WARNING!

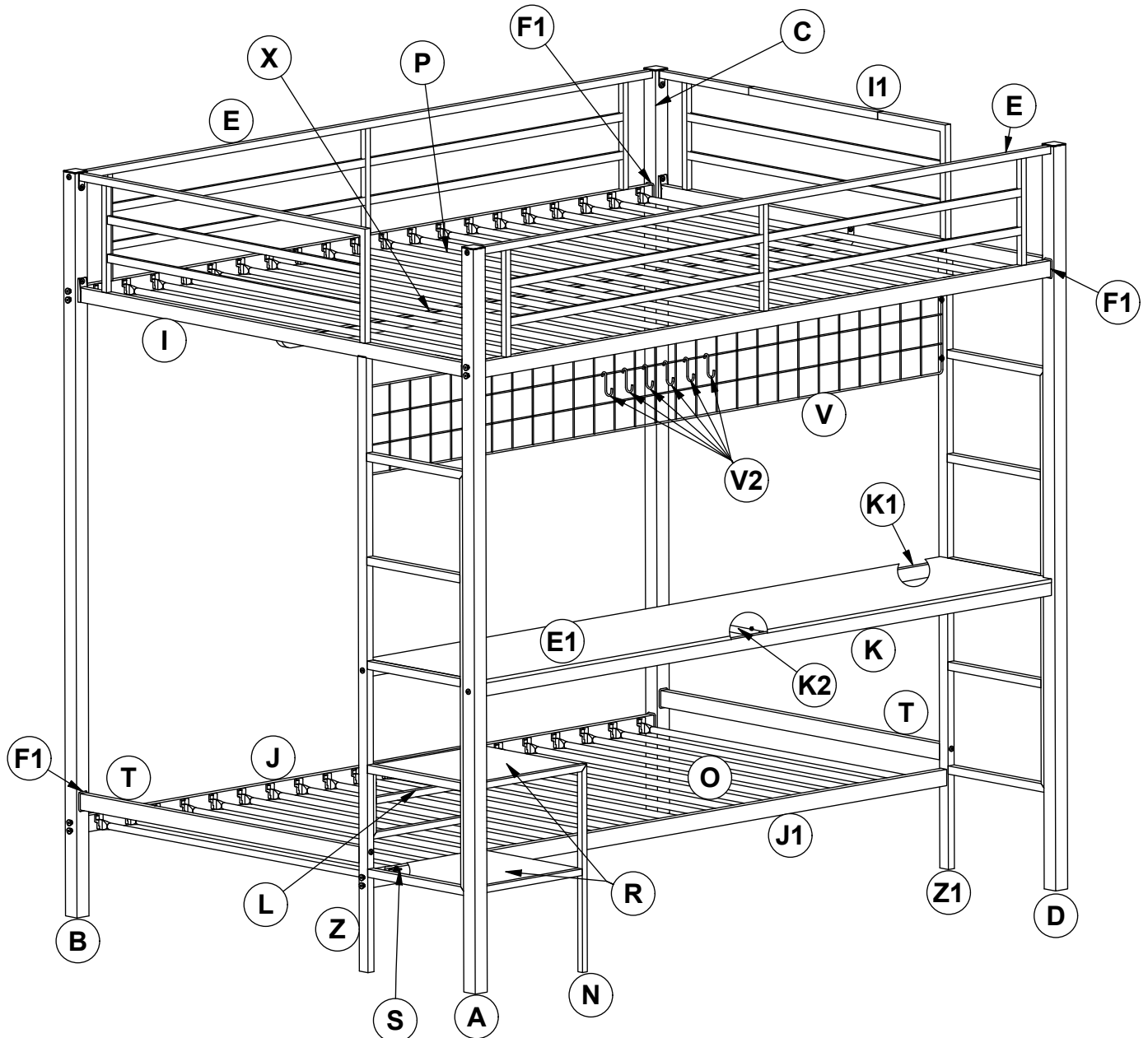
1. Don't attempt to repair or modify parts that are broken or defective. Please contact the store immediately.
2. This product is for home use only and not intended for commercial establishments.



ASSEMBLY TIME

50 MINUTES

PARTS IDENTIFICATION



ITEM: 460209WHT(B1&B2)



ASSEMBLY INSTRUCTIONS

ASSEMBLY TIPS:

1. Remove hardware from box and sort by size.
2. Please check to see that all hardware and parts are present prior to start of assembly.
3. Please follow attached instructions in the same sequence as numbered to assure fast & easy assembly.

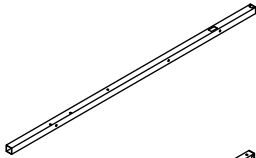
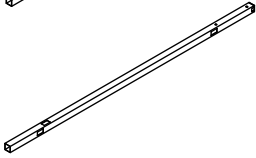
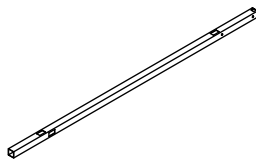
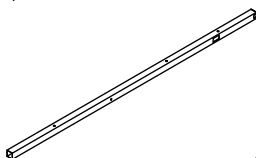
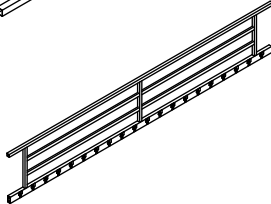
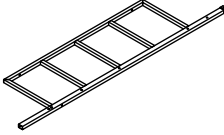
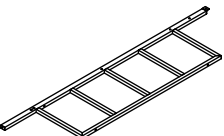
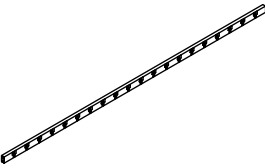
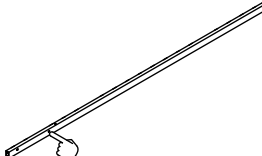


WARNING!

1. Don't attempt to repair or modify parts that are broken or defective. Please contact the store immediately.
2. This product is for home use only and not intended for commercial establishments.

PARTS IDENTIFICATION

B1 (BOX 1)

A	LEFT FRONT POST (WITH LABEL "A")		1PC
B	LEFT BACK POST (WITH LABEL "B")		1PC
C	RIGHT BACK POST (WITH LABEL "C")		1PC
D	RIGHT FRONT POST (WITH LABEL "D")		1PC
E	REAR/FRONT GUARD RAIL (WITH LABEL "E")		2PCS
H	LEFT LADDER (WITH LABEL "Z")		1PC
H1	RIGHT LADDER (WITH LABEL "Z1")		1PC
J	REAR LOWER SIDE RAIL (WITH LABEL "J")		1PC
J1	FRONT LOWER SIDE RAIL (WITH LABEL "J1")		1PC

ITEM: 460209WHT(B1&B2)



ASSEMBLY INSTRUCTIONS

ASSEMBLY TIPS:

1. Remove hardware from box and sort by size.
2. Please check to see that all hardware and parts are present prior to start of assembly.
3. Please follow attached instructions in the same sequence as numbered to assure fast & easy assembly.



WARNING!

1. Don't attempt to repair or modify parts that are broken or defective. Please contact the store immediately.
2. This product is for home use only and not intended for commercial establishments.

PARTS IDENTIFICATION

M	BRACE (WITH LABEL "X")		1PC
V	WIRE MESH (WITH LABEL "V")		1PC
P	UPPER BED SLAT (WITH LABEL "P")		20PCS
K	FRONT DESK BRACE (WITH LABEL "K")		1PC
K1	REAR DESK BRACE (WITH LABEL "K1")		1PC
E1	DESK (WITH LABEL "E1")		1PC
S	BRACKET (WITH LABEL "S")		2PCS
F1	PLASTIC HOUSING (WITH LABEL "F1")		8PCS
R	SHELF (WITH LABEL "R")		1PC
V2	HANG HOOK (WITH LABEL "V2")		6PCS

ITEM: 460209WHT(B1&B2)



ASSEMBLY INSTRUCTIONS

ASSEMBLY TIPS:

1. Remove hardware from box and sort by size.
2. Please check to see that all hardware and parts are present prior to start of assembly.
3. Please follow attached instructions in the same sequence as numbered to assure fast & easy assembly.



WARNING!

1. Don't attempt to repair or modify parts that are broken or defective. Please contact the store immediately.
2. This product is for home use only and not intended for commercial establishments.

PARTS IDENTIFICATION

B2 (BOX 2)

R	SHELF (WITH LABEL "R")		1PC
I	LEFT END GUARD RAIL (WITH LABEL "I")		1PC
I1	RIGHT END GUARD RAIL (WITH LABEL "I1")		1PC
T	LOWER GUARD RAIL (WITH LABEL "T")		2PCS
O	LOWER BED SLAT (WITH LABEL "O")		20PCS
L	REAR SHELF BRACE (WITH LABEL "L")		1PC
N	FRONT SHELF BRACE (WITH LABEL "N")		1PC
K2	CONNECTOR BAR (WITH LABEL "K2")		3PCS

ITEM: 460209WHT(B1&B2)



ASSEMBLY INSTRUCTIONS

ASSEMBLY TIPS:

1. Remove hardware from box and sort by size.
2. Please check to see that all hardware and parts are present prior to start of assembly.
3. Please follow attached instructions in the same sequence as numbered to assure fast & easy assembly.





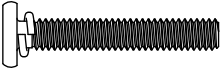


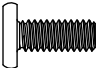
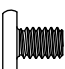

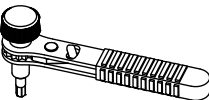



WARNING!

1. Don't attempt to repair or modify parts that are broken or defective. Please contact the store immediately.
2. This product is for home use only and not intended for commercial establishments.

HARDWARE IDENTIFICATION

Z-B1(BOX 1) HARDWARE PACK IS LOCATED IN 460209WHT(B1)

1	BOLT 1 (1/4" x 65mm - WZ)		5PCS
2	BOLT 2 (1/4" x 45mm - WZ)		6PCS
3	BOLT 3 (5/16" x 45mm - WZ)		4PCS
4	BOLT 4 (5/16" x 40mm - WZ)		12PCS
5	BOLT 5 (1/4" x 40mm - WZ)		4PCS
6	BOLT 6 (1/4" x 27mm - WZ)		7PCS
7	BOLT 7 (1/4" x 20mm - WZ)		16PCS
8	BOLT 8 (1/4" x 15mm - WZ)		8PCS
9	BOLT 9 (1/4" x 9mm - WZ)		8PCS
10	BOLT 10 (3/16" x 12mm - WZ)		4PCS
11	RATCHET WRENCH (4mm - 110mm - WZ)		1PC
12	ALLEN WRENCH (4mm x 58mm - WZ)		1PC

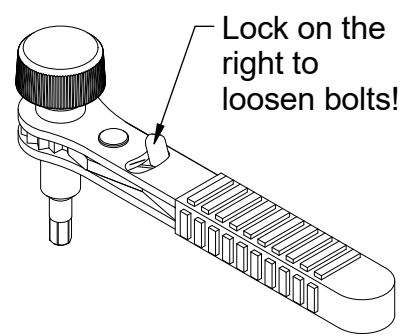
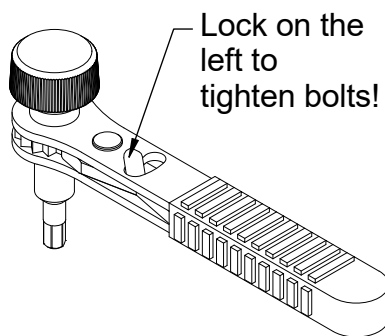
ASSEMBLY INSTRUCTIONS

Helpful Hints

- Before assembling the furniture, please read the instructions on how to use ratchet, it will help you to assemble the furniture quickly.
- Please don't throw away the ratchet in case you may need to use in future.

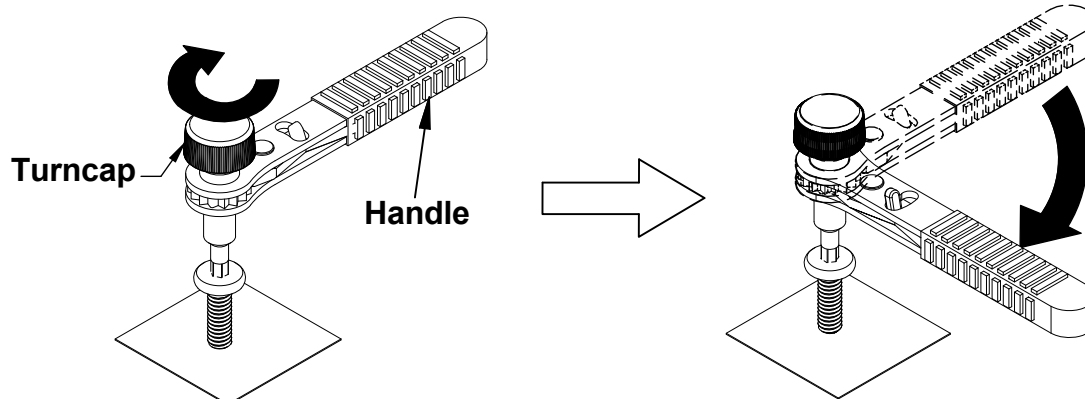
How To Use The Ratchet

1. Before assembling the furniture, please adjust the lock tool as needed.



2. Tighten or loosen the bolts

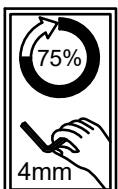
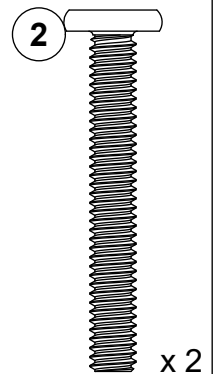
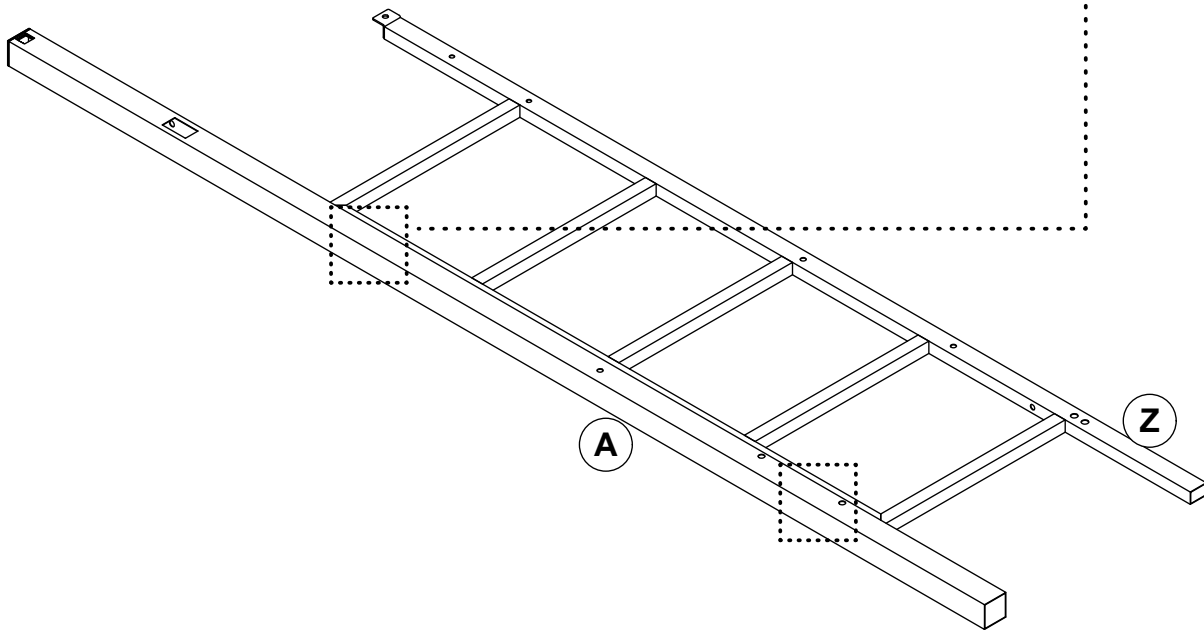
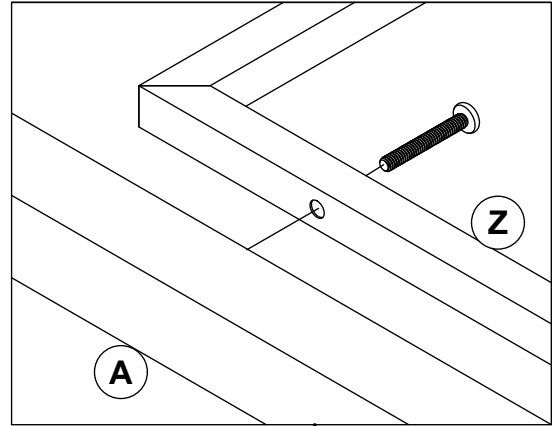
- **Tighten bolts** : Locate the turncap (picture) and rotate it clockwise to screw the bolt quickly, until it cannot be rotated any more. Then start rotating with the handle clockwise to finalize tightening the bolts.
- **Loosen bolts** : Rotate the handle counterclockwise to loosen the bolt. Then, to completely remove the bolts, continue rotating with the turncap in the same direction.



ITEM: **460209WHT(B1&B2)**

ASSEMBLY INSTRUCTIONS

STEP 1

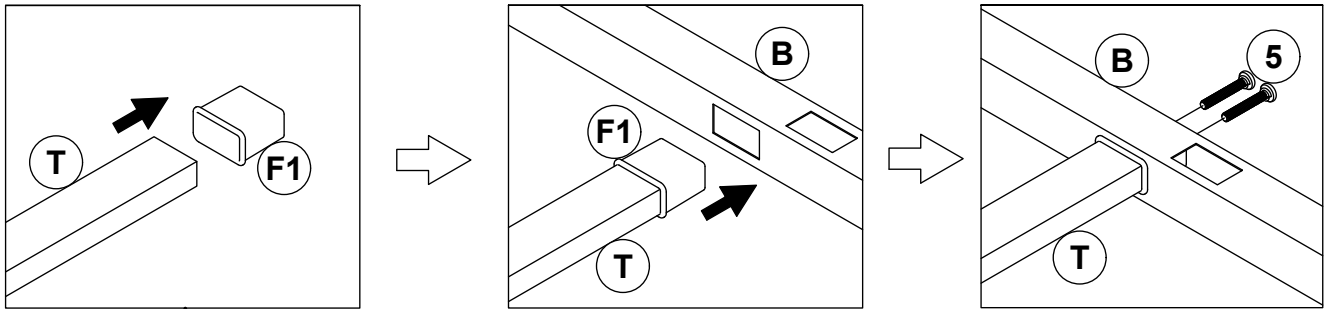


ITEM: 460209WHT(B1&B2)

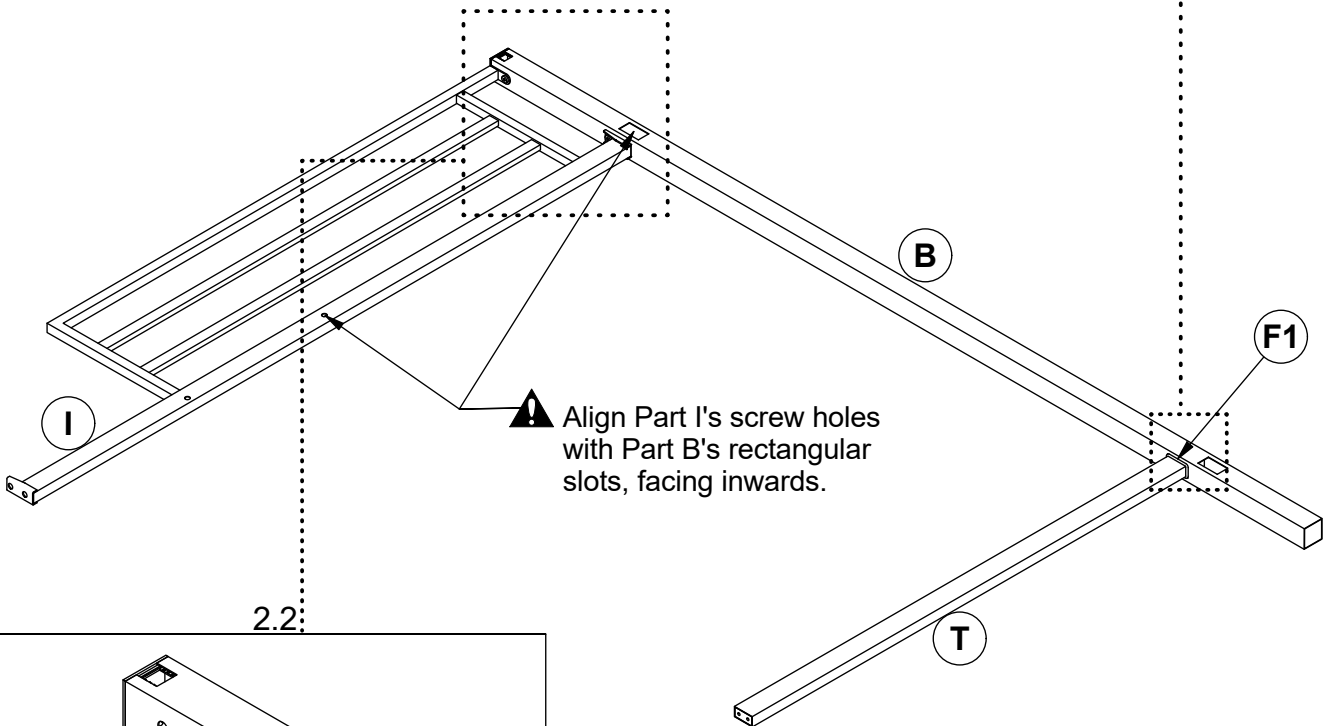
ASSEMBLY INSTRUCTIONS



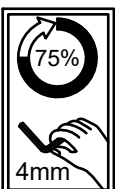
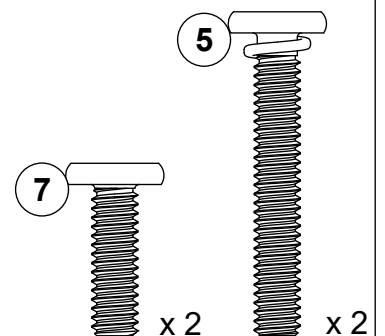
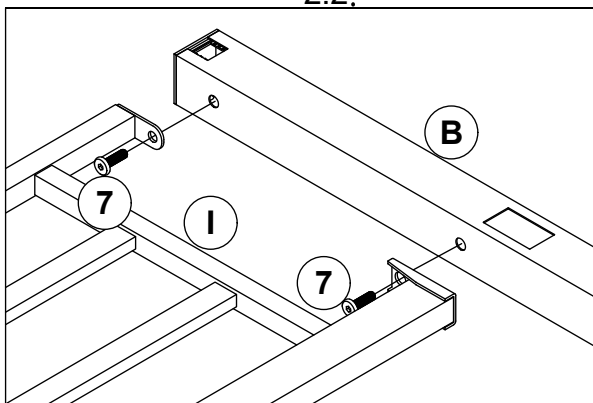
STEP 2



2.1



2.2

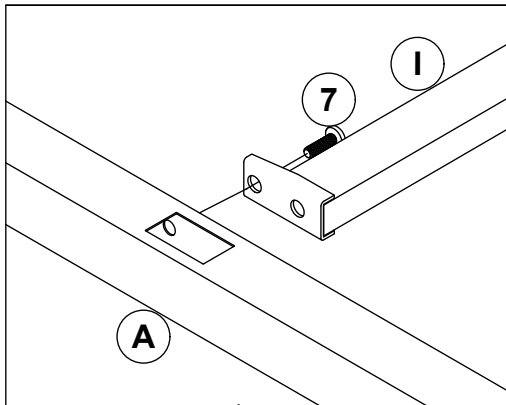


ITEM: 460209WHT(B1&B2)

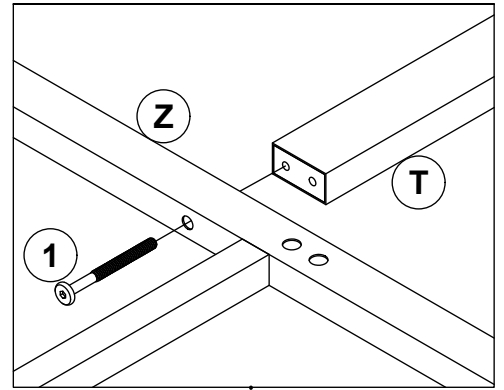
ASSEMBLY INSTRUCTIONS



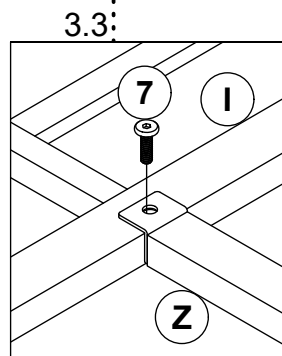
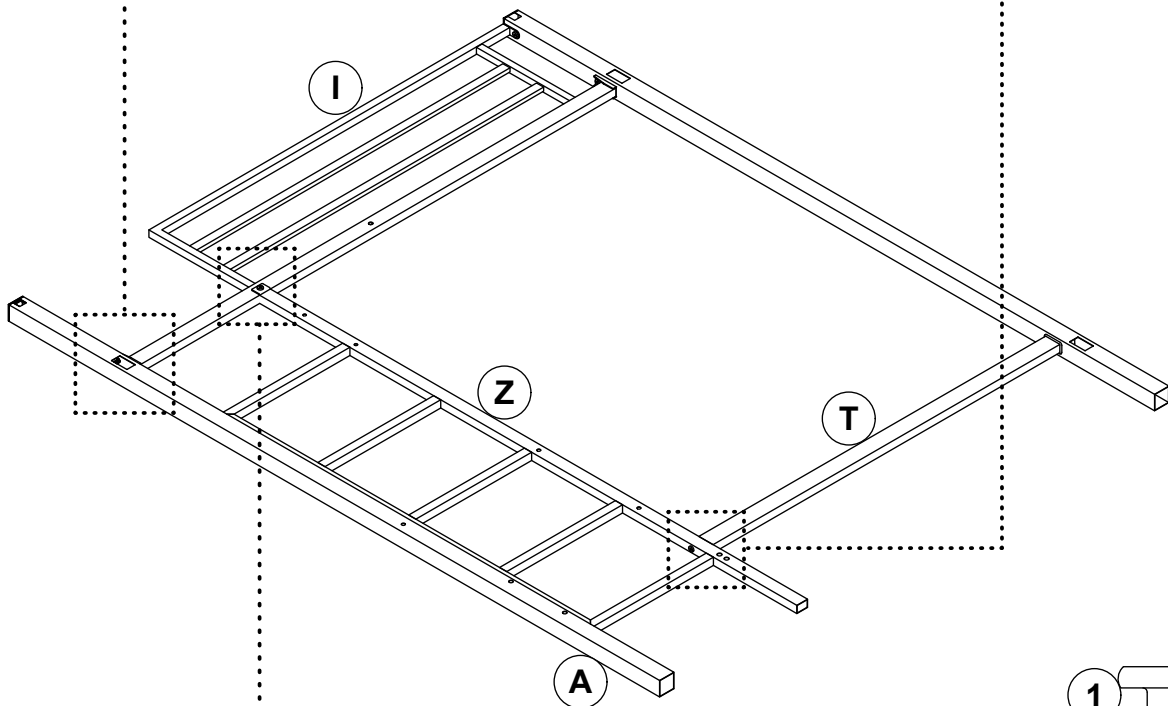
STEP 3



3.1



3.2



3.3



x 2

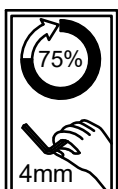
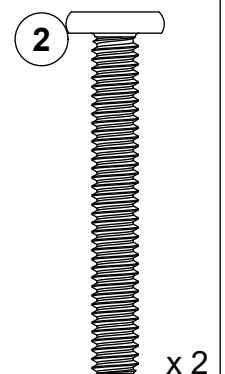
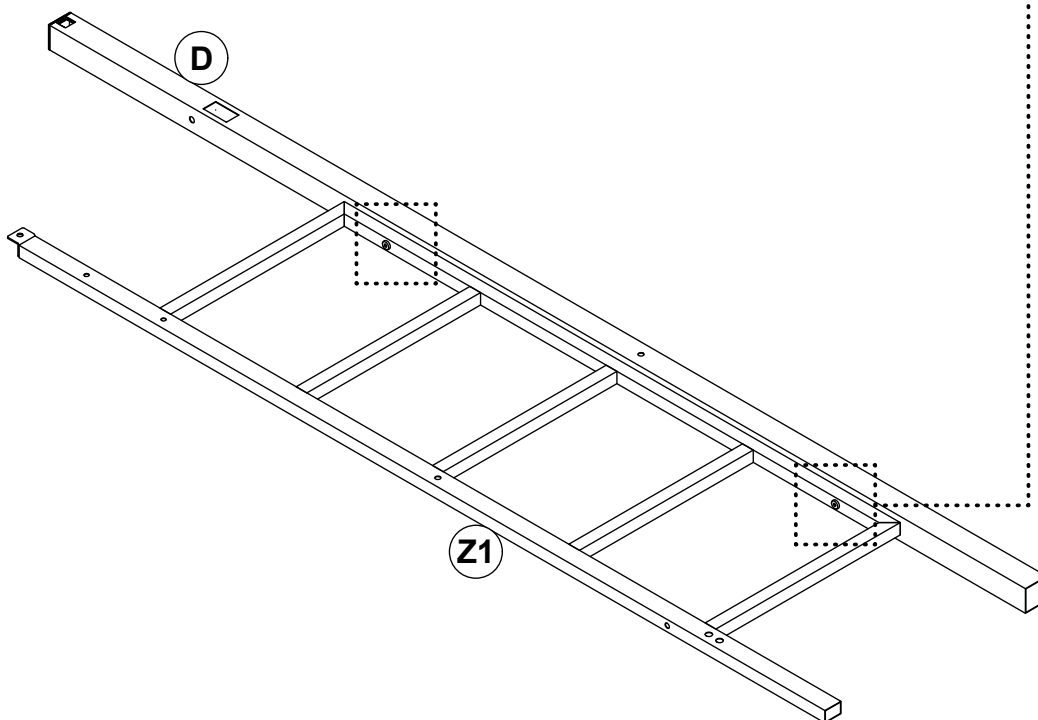
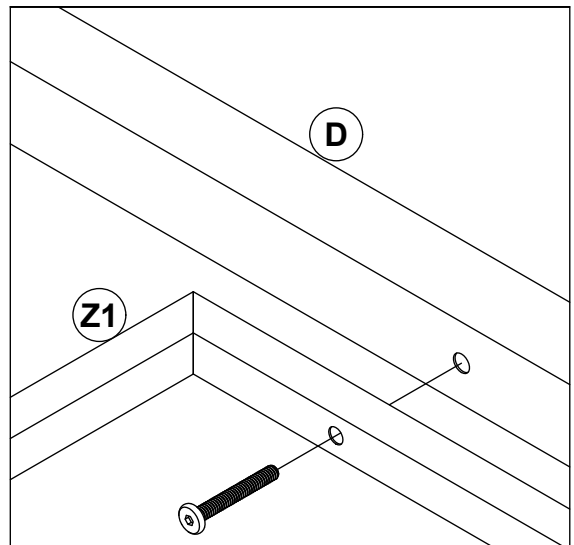
x 1



ITEM: **460209WHT(B1&B2)**

ASSEMBLY INSTRUCTIONS

STEP 4

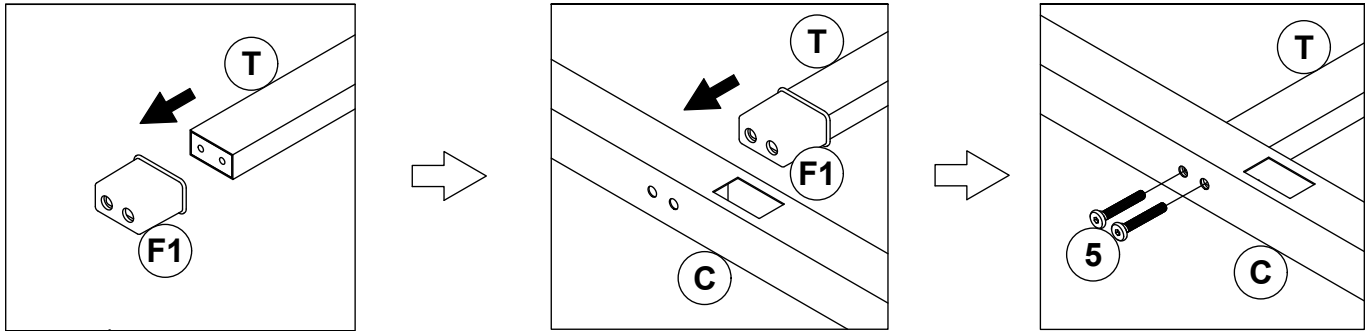


ITEM: 460209WHT(B1&B2)

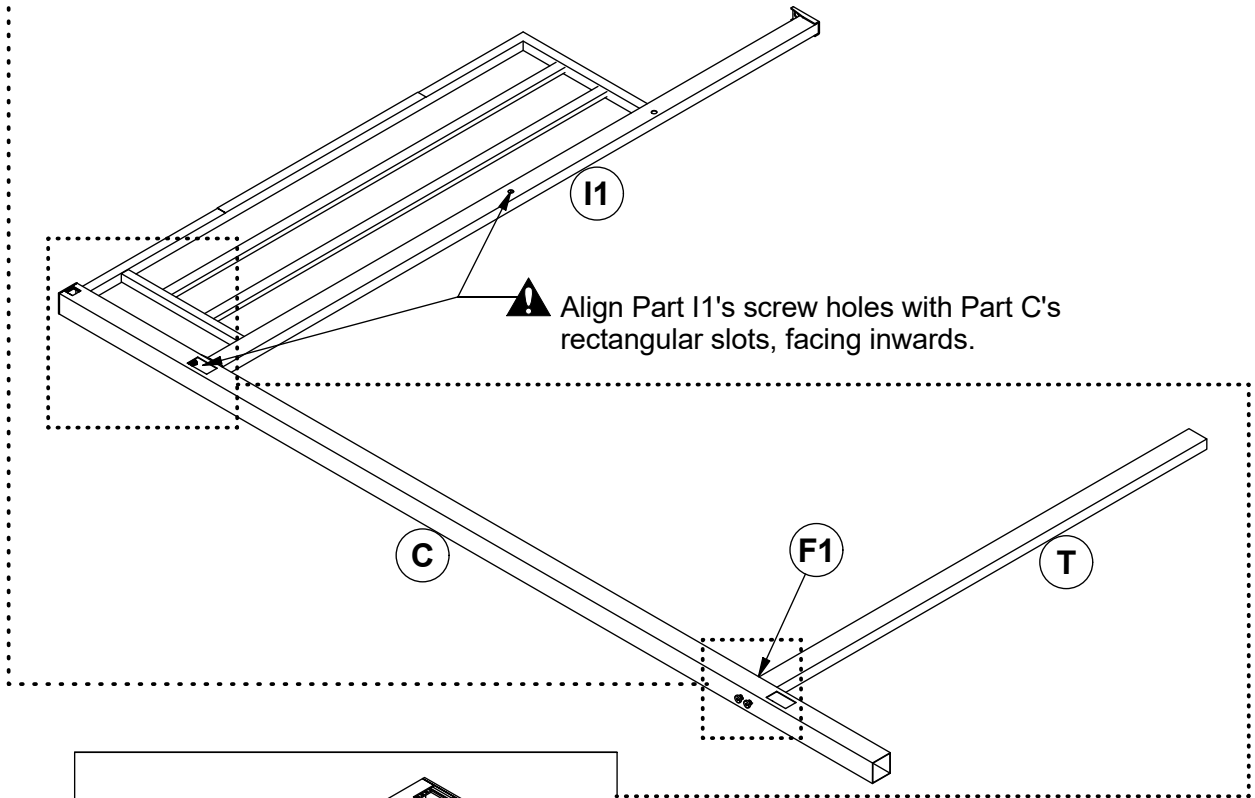
ASSEMBLY INSTRUCTIONS



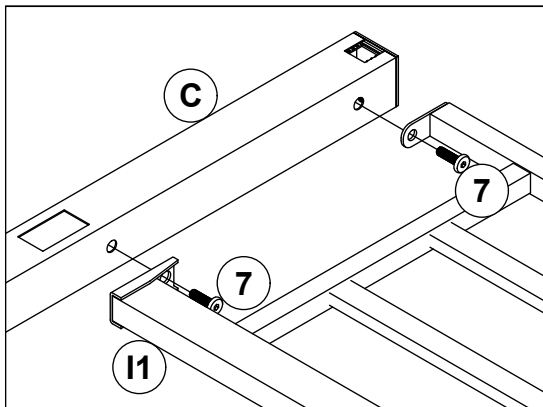
STEP 5



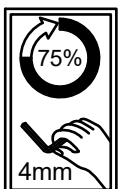
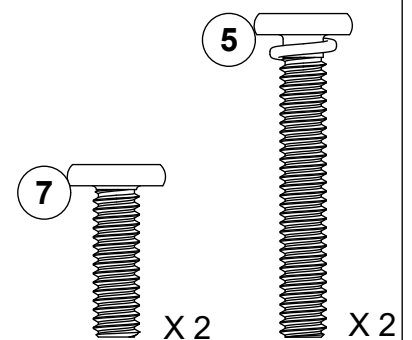
5.1



⚠ Align Part I1's screw holes with Part C's rectangular slots, facing inwards.



5.2

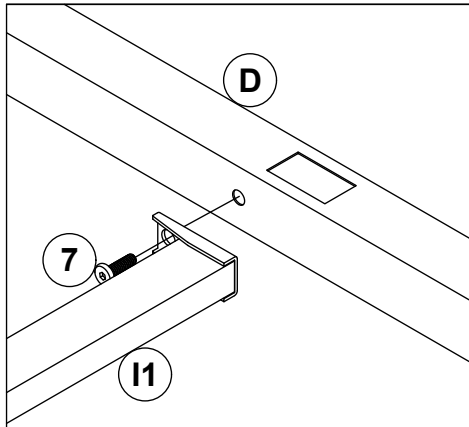


ITEM: 460209WHT(B1&B2)

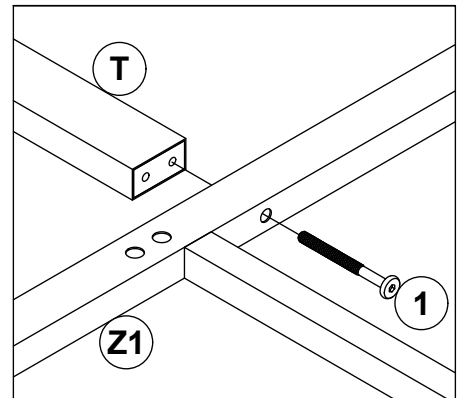
ASSEMBLY INSTRUCTIONS



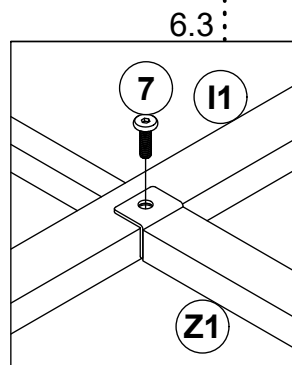
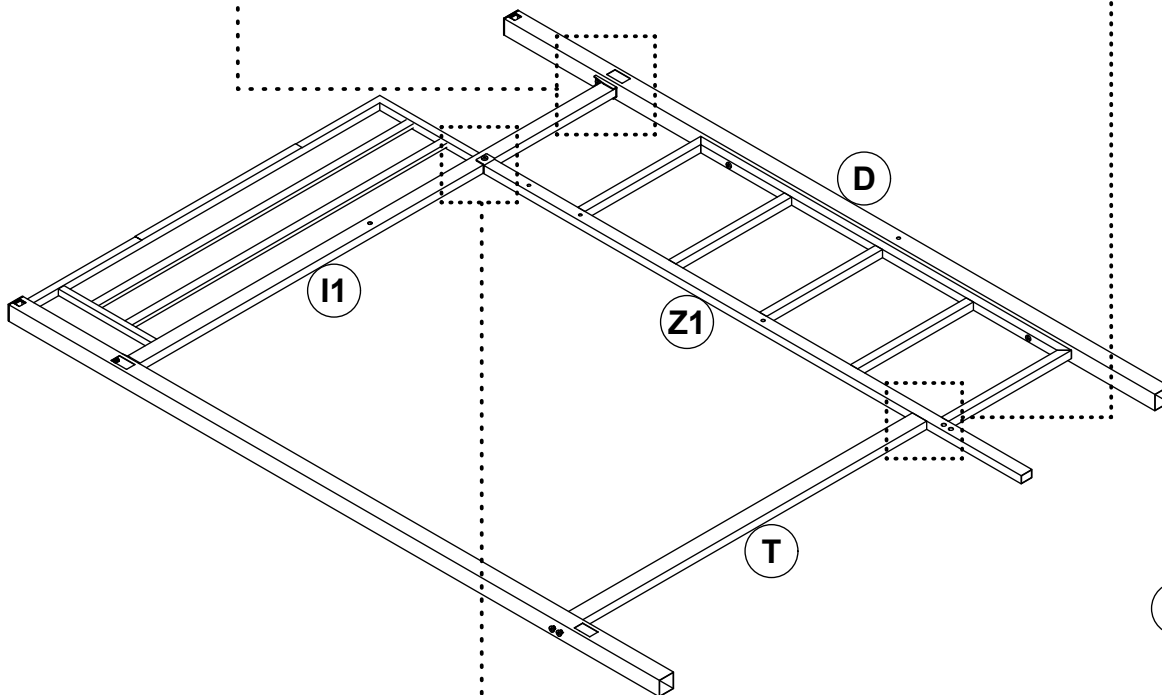
STEP 6



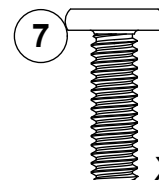
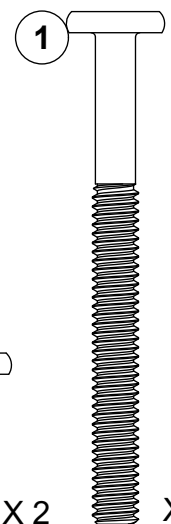
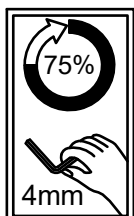
6.1:



6.2:



6.3:



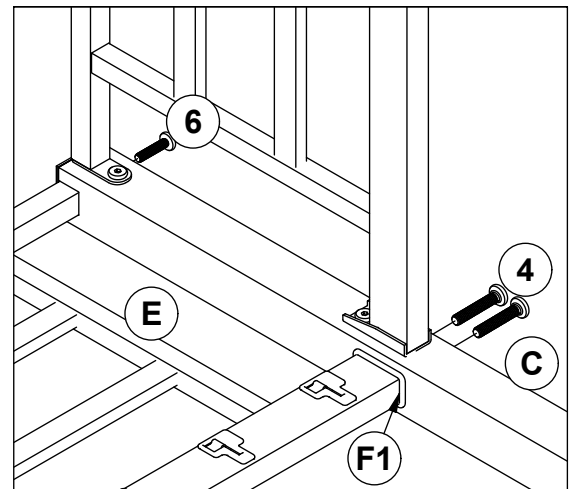
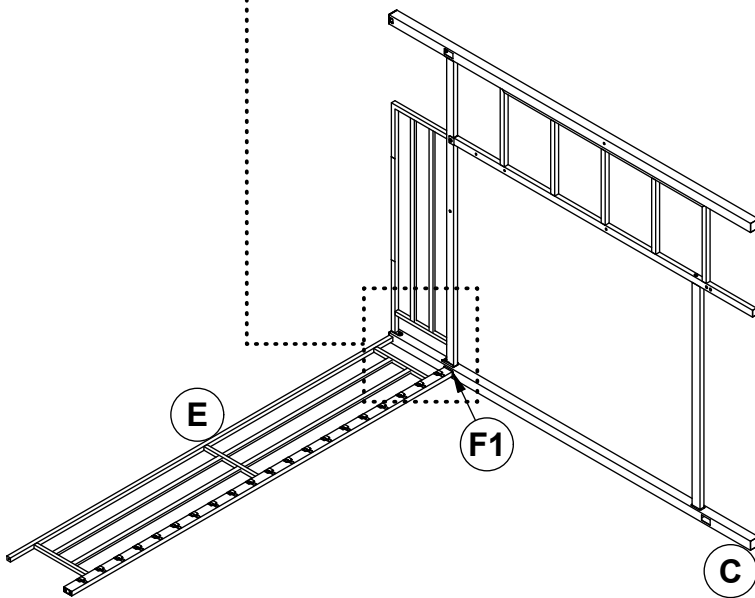
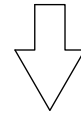
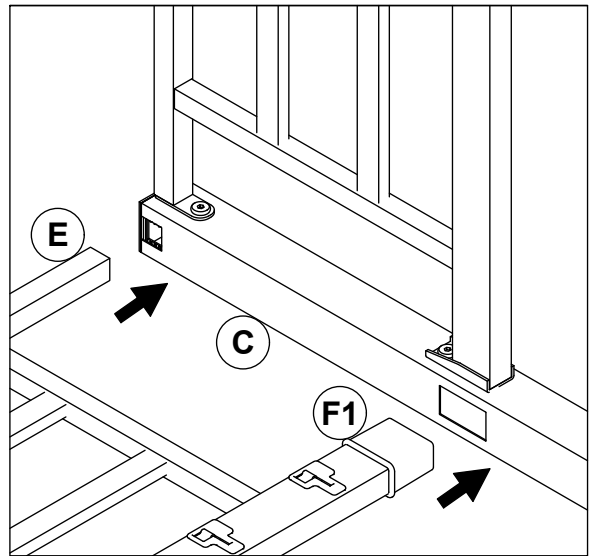
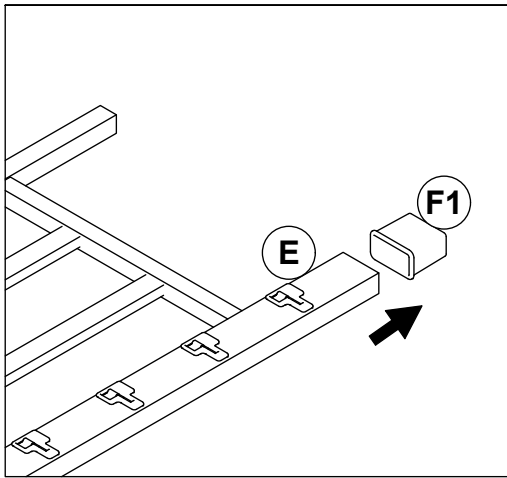
X 2

X 1

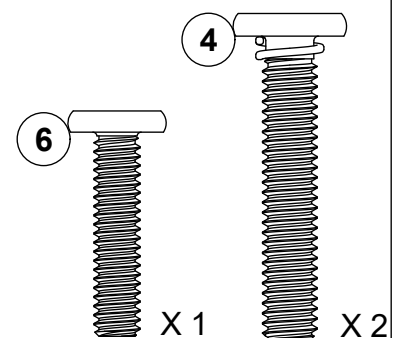
ITEM: 460209WHT(B1&B2)

ASSEMBLY INSTRUCTIONS

STEP 7



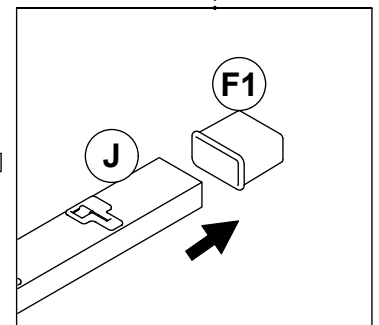
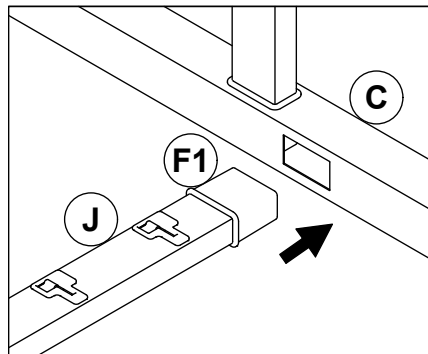
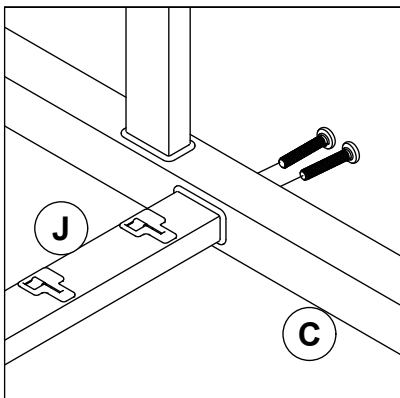
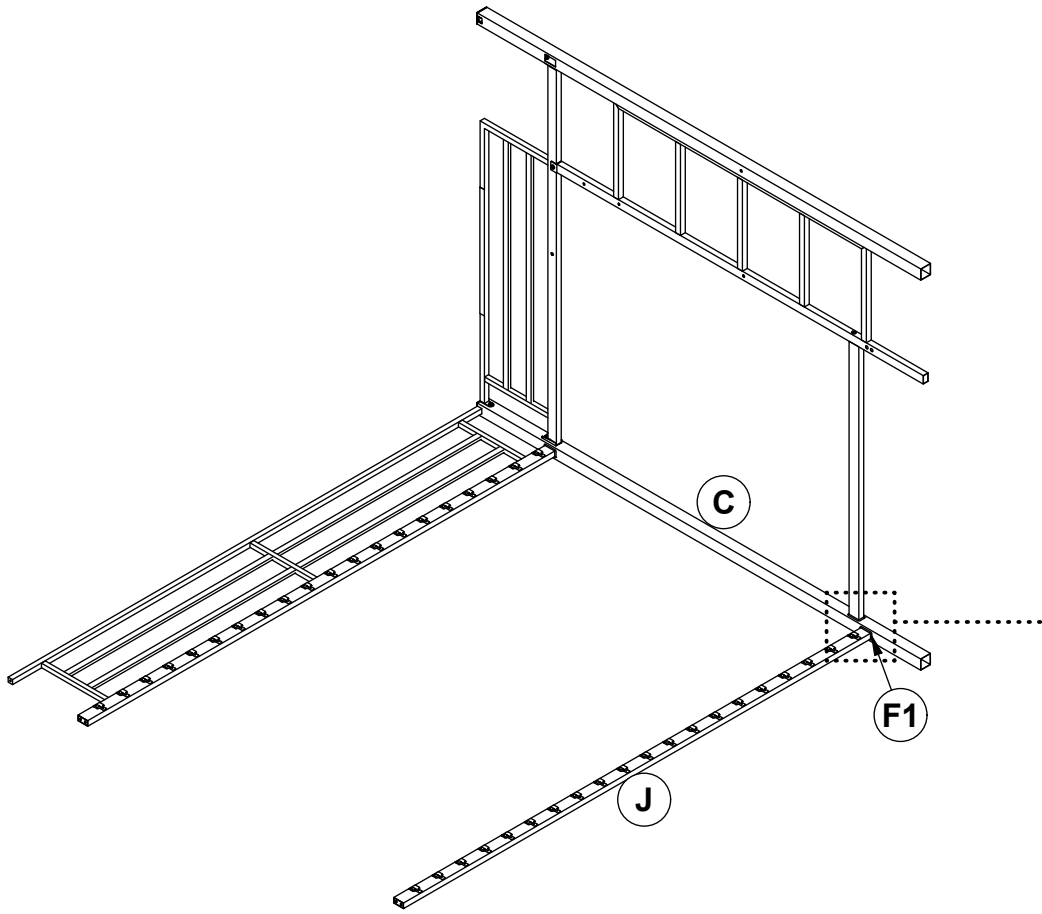
⚠ Wide side of the plastic housing must be facing up and inside !



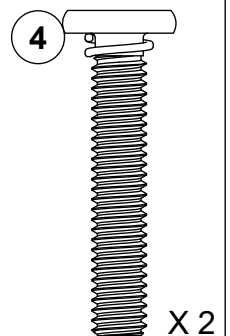
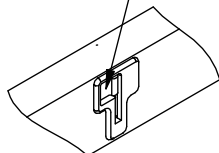
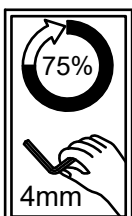
ITEM: 460209WHT(B1&B2)

ASSEMBLY INSTRUCTIONS

STEP 8



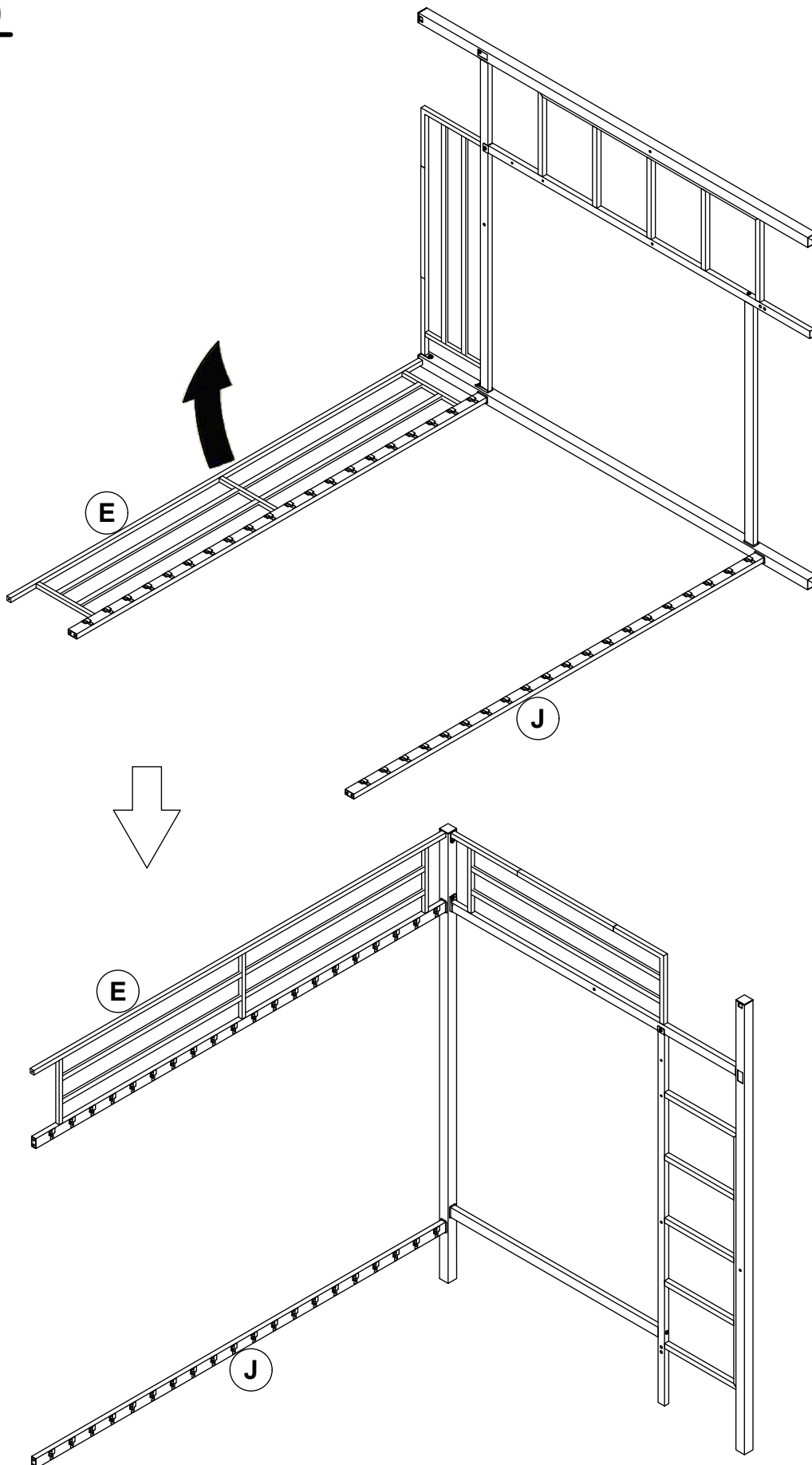
! Wide side of the plastic housing must be facing up and inside !



ITEM: **460209WHT(B1&B2)**

ASSEMBLY INSTRUCTIONS

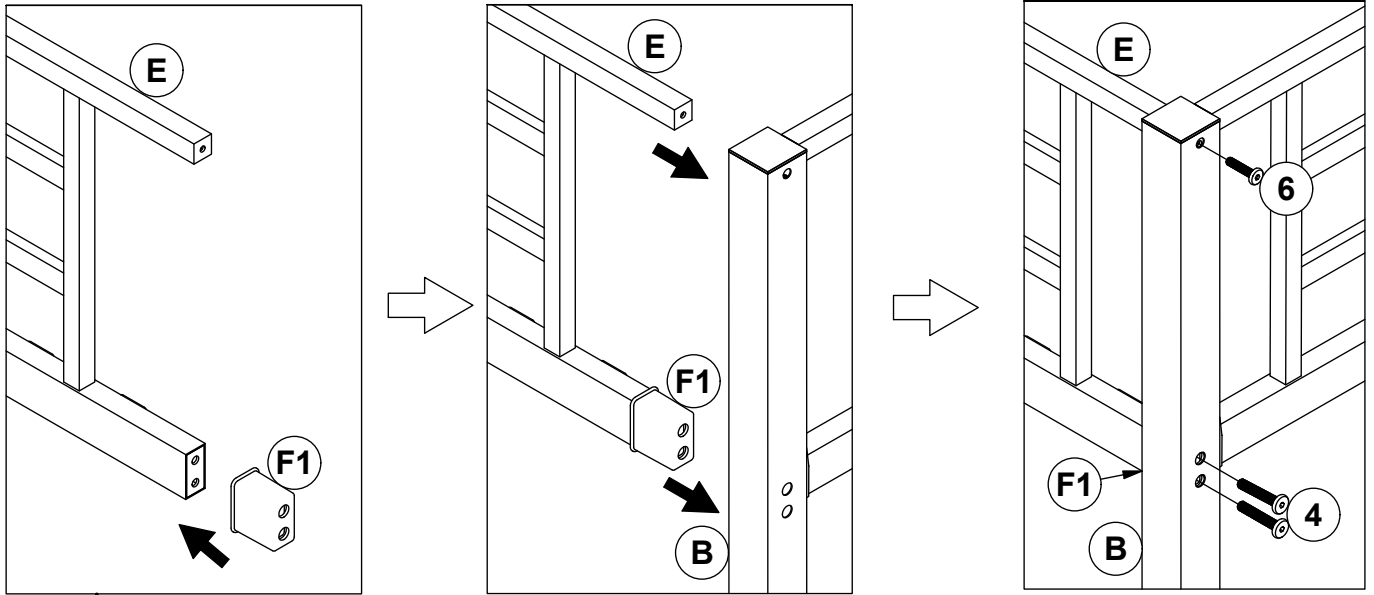
STEP 9



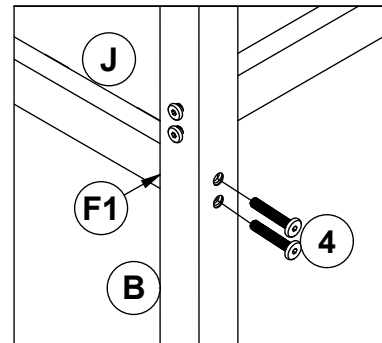
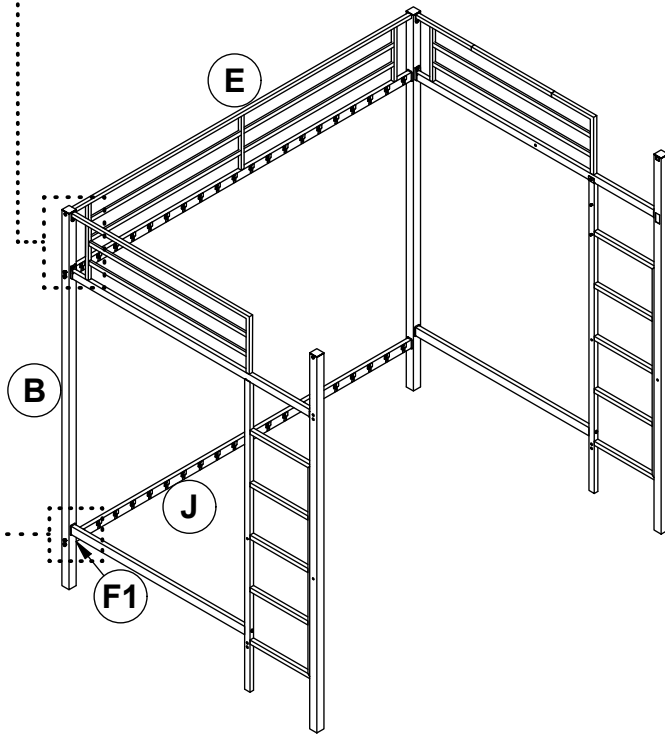
ITEM: 460209WHT(B1&B2)

ASSEMBLY INSTRUCTIONS

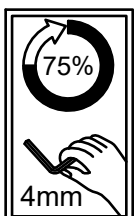
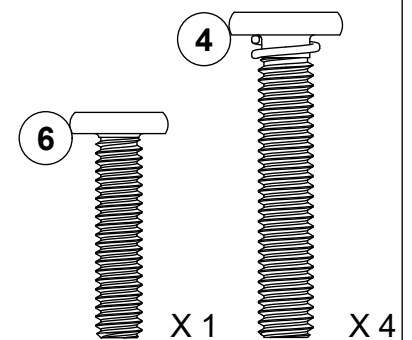
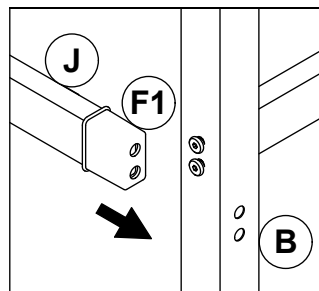
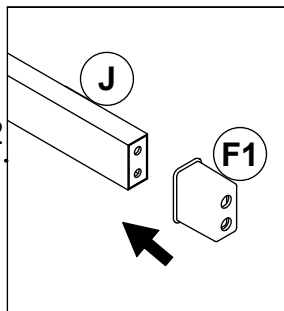
STEP 10



10.1



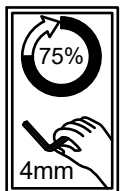
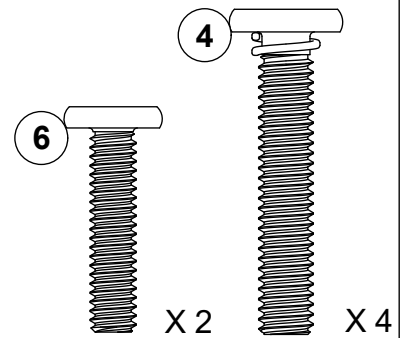
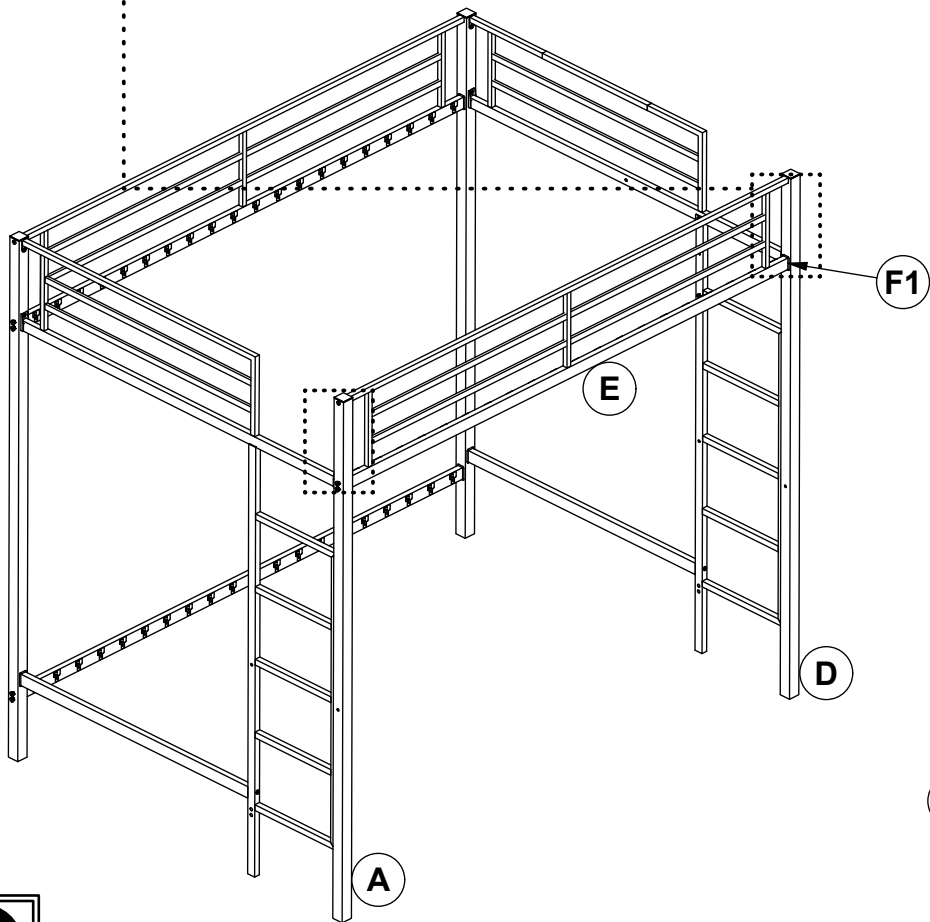
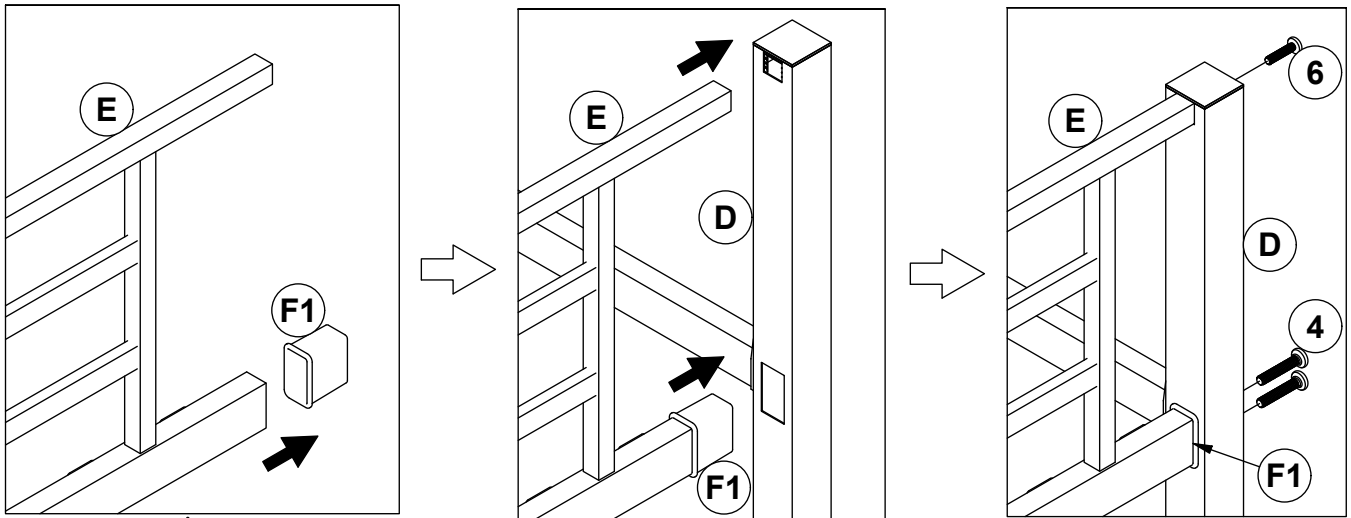
10.2



ITEM: 460209WHT(B1&B2)

ASSEMBLY INSTRUCTIONS

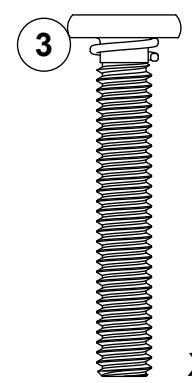
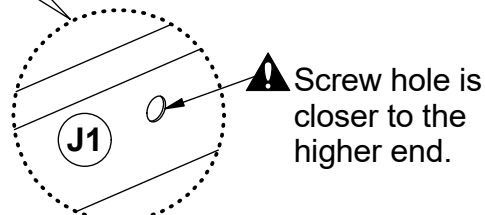
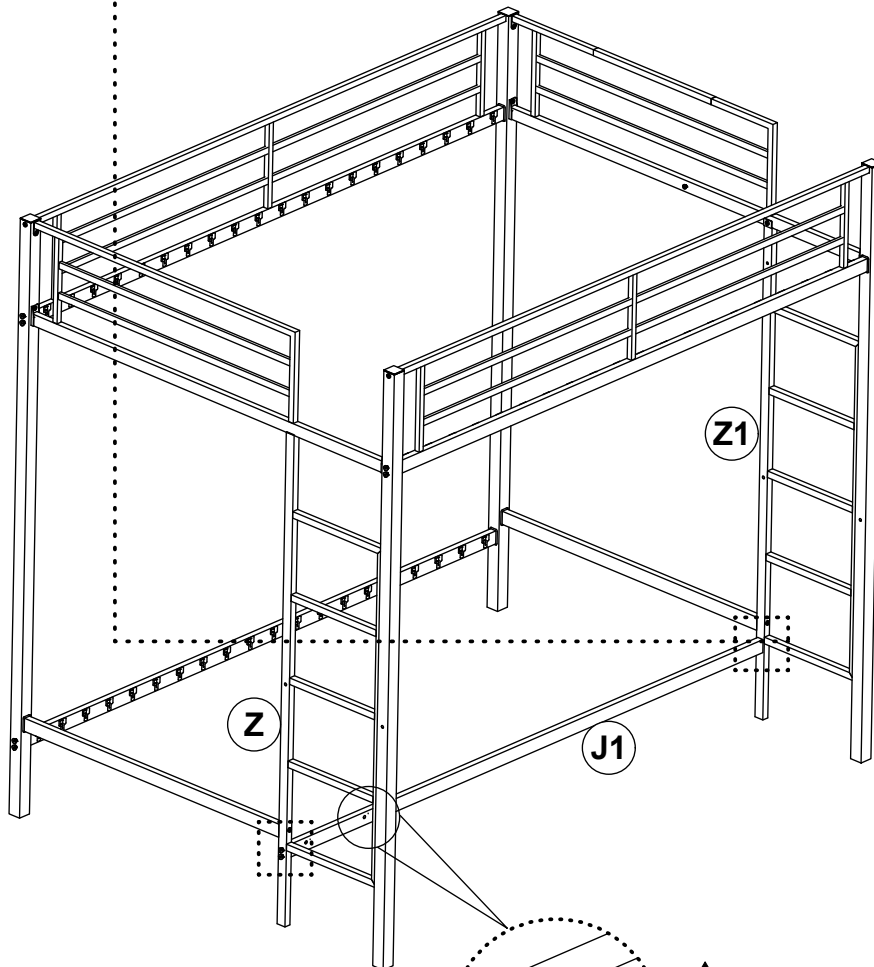
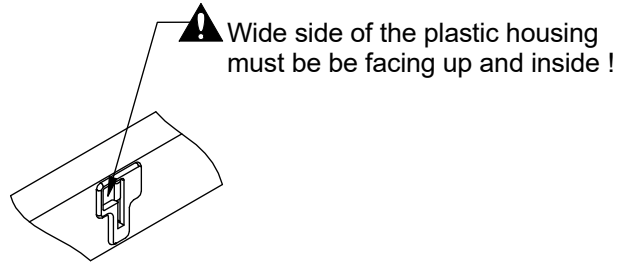
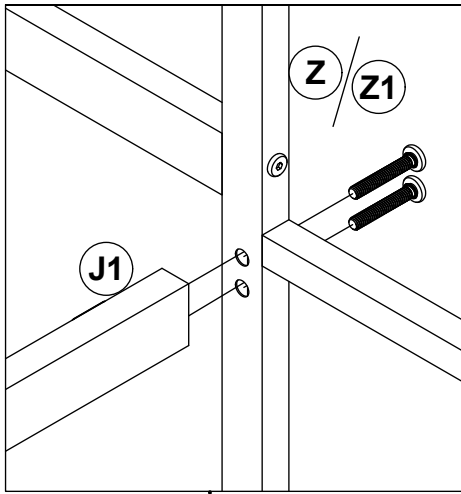
STEP 11



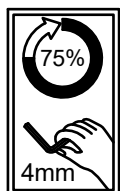
ITEM: 460209WHT(B1&B2)

ASSEMBLY INSTRUCTIONS

STEP 12



X 4

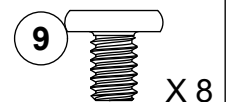
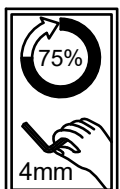
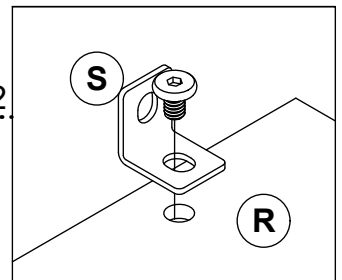
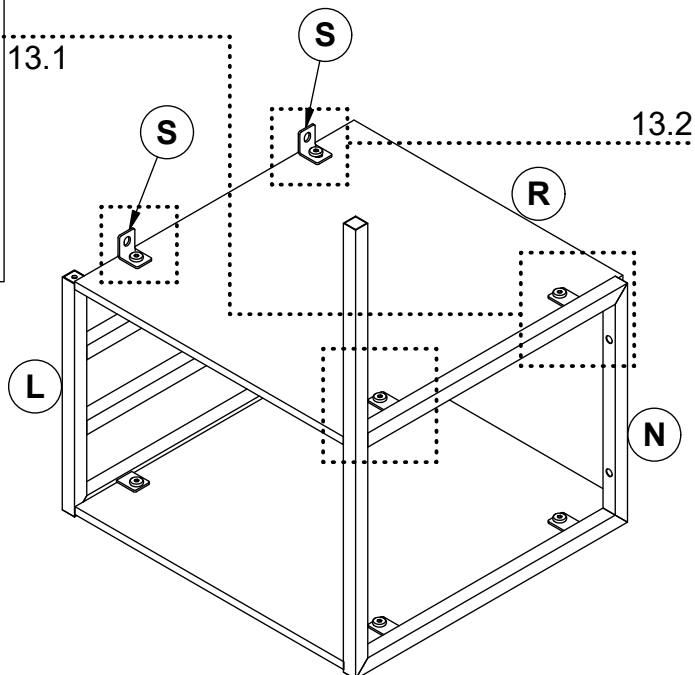
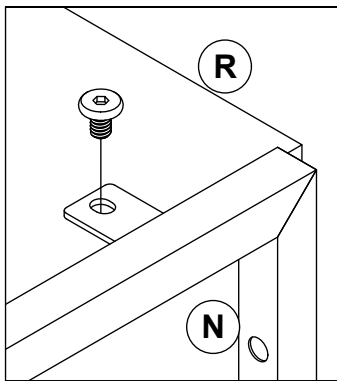
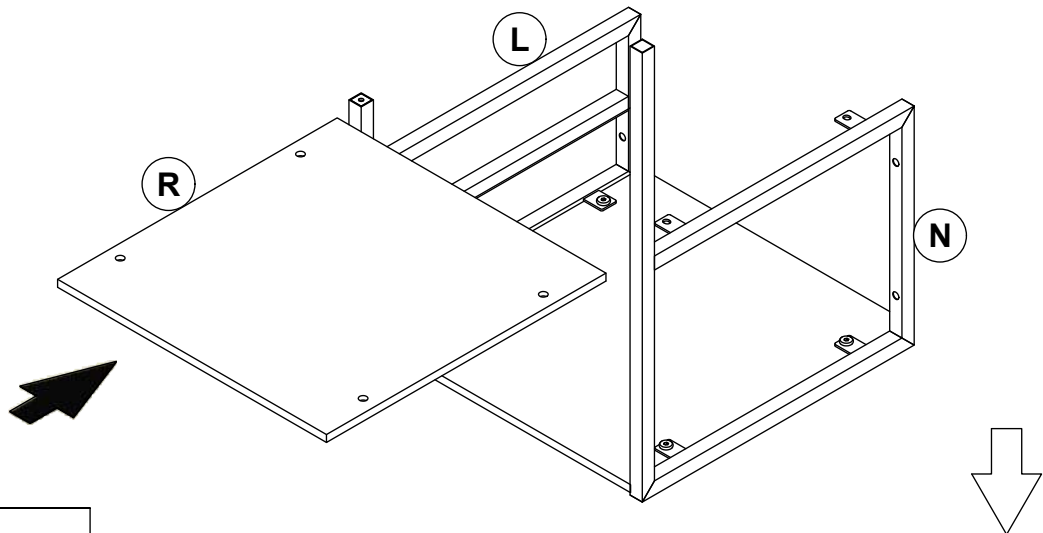
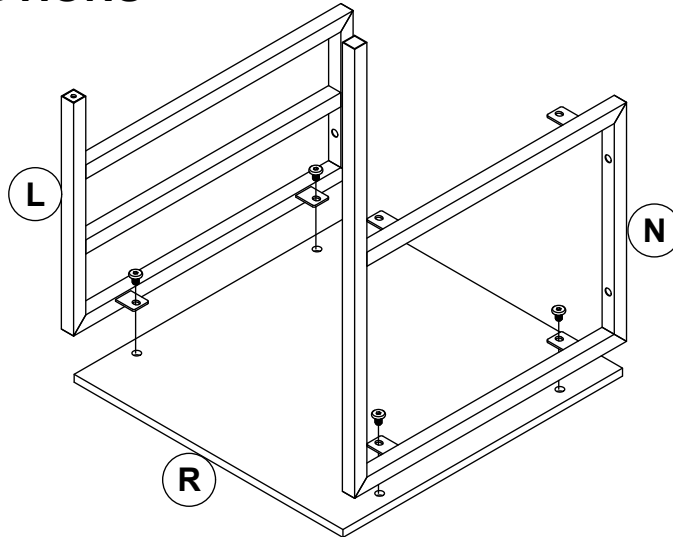


ITEM: 460209WHT(B1&B2)



ASSEMBLY INSTRUCTIONS

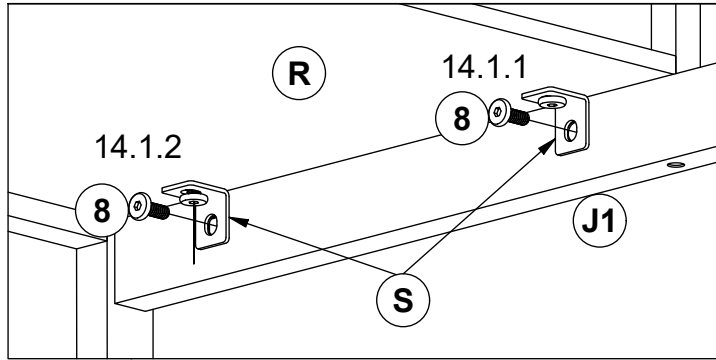
STEP 13



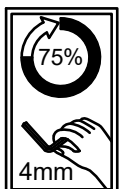
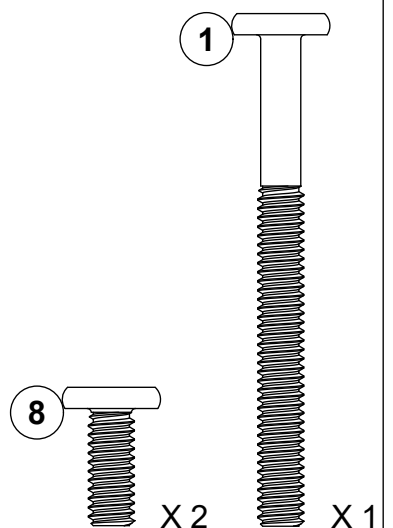
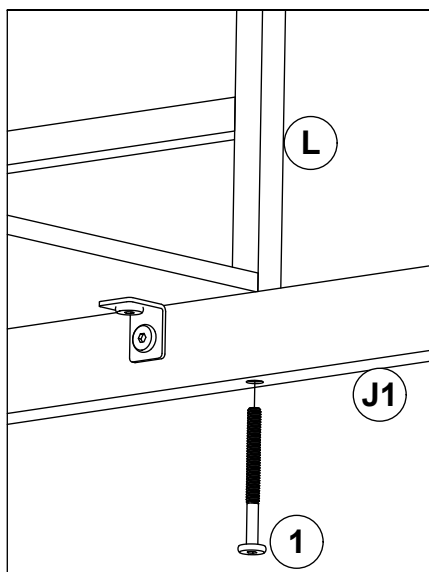
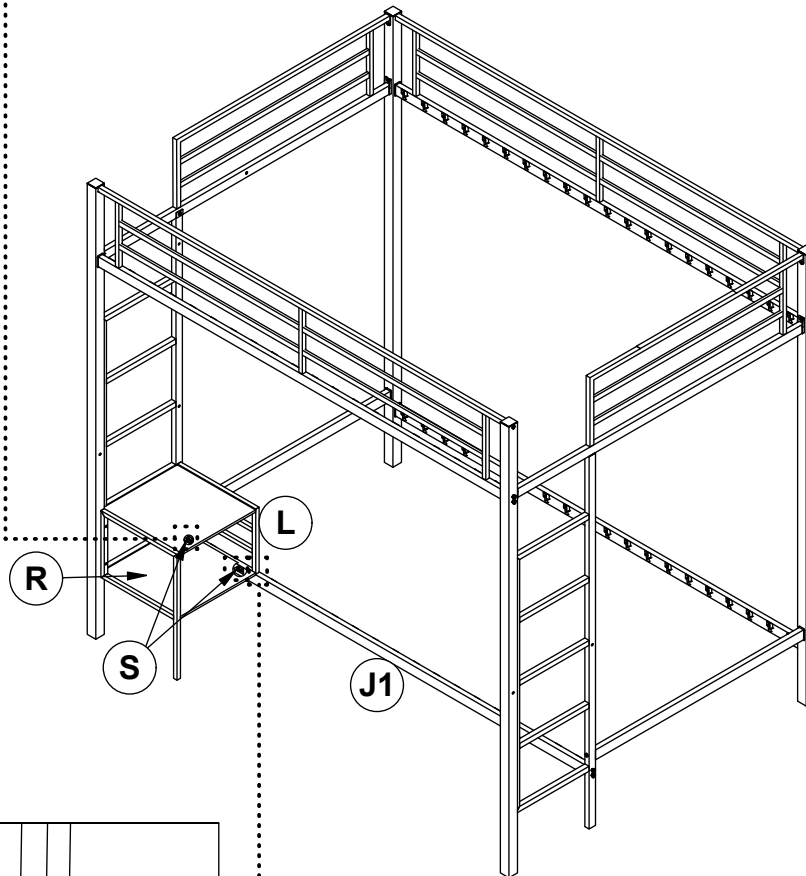
ITEM: 460209WHT(B1&B2)

ASSEMBLY INSTRUCTIONS

STEP 14



14.1 Please strictly follow the order below: first, secure the screws at 14.1.1, then secure the screws at 14.1.2.

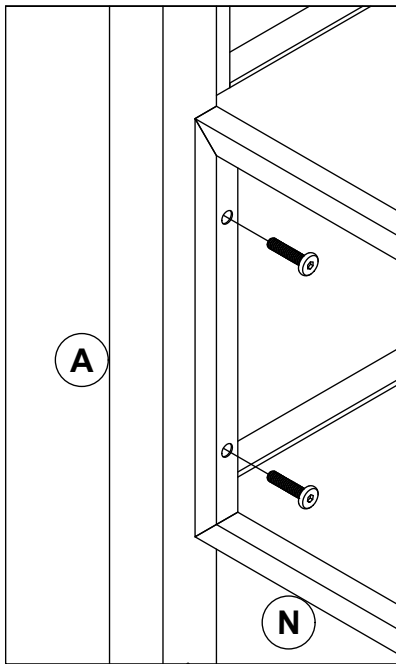


ITEM: 460209WHT(B1&B2)

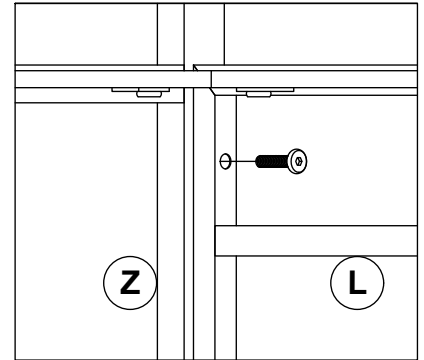
ASSEMBLY INSTRUCTIONS



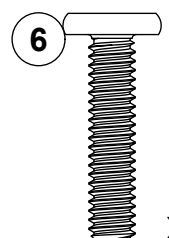
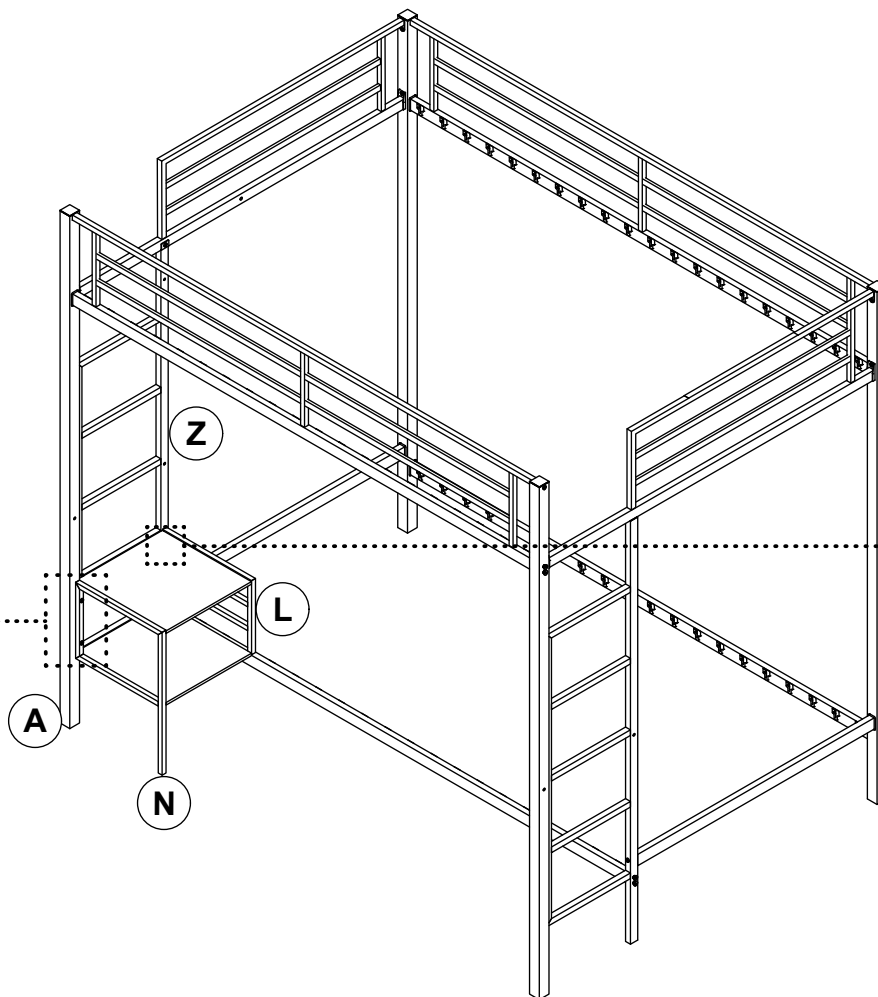
STEP 15



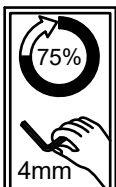
15.1



15.2



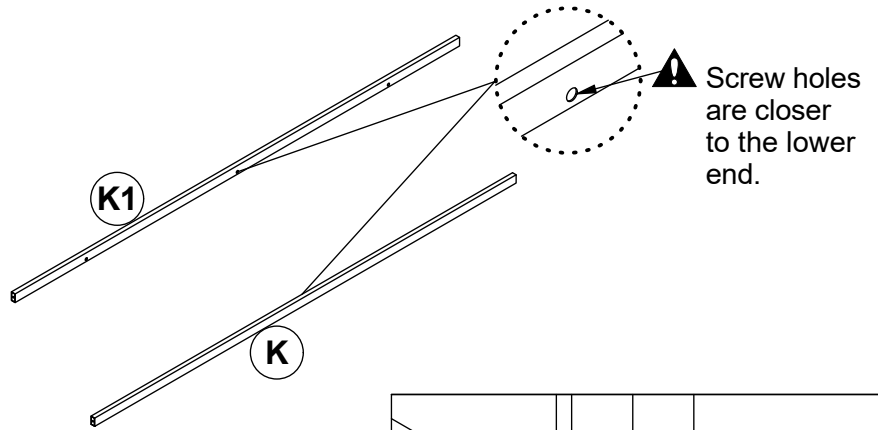
X 3



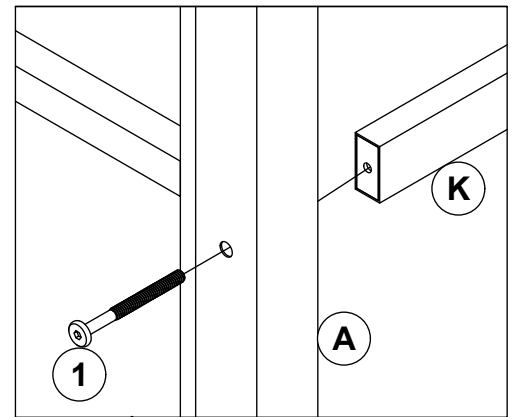
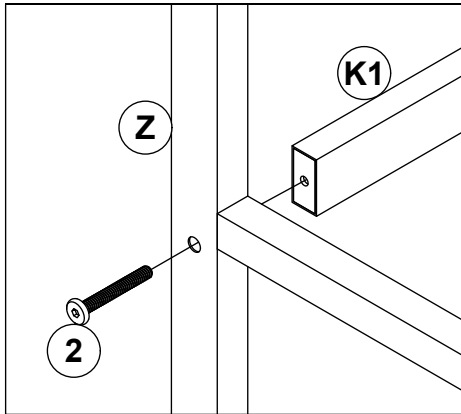
ITEM: 460209WHT(B1&B2)

ASSEMBLY INSTRUCTIONS

STEP 16

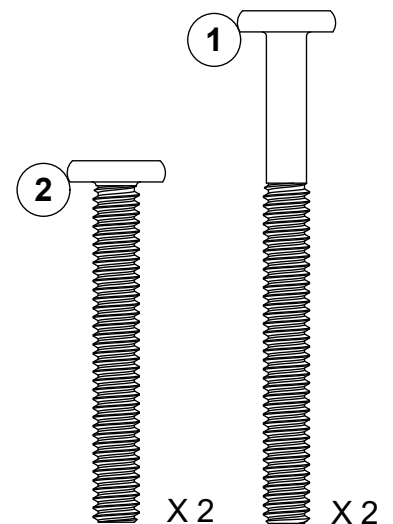
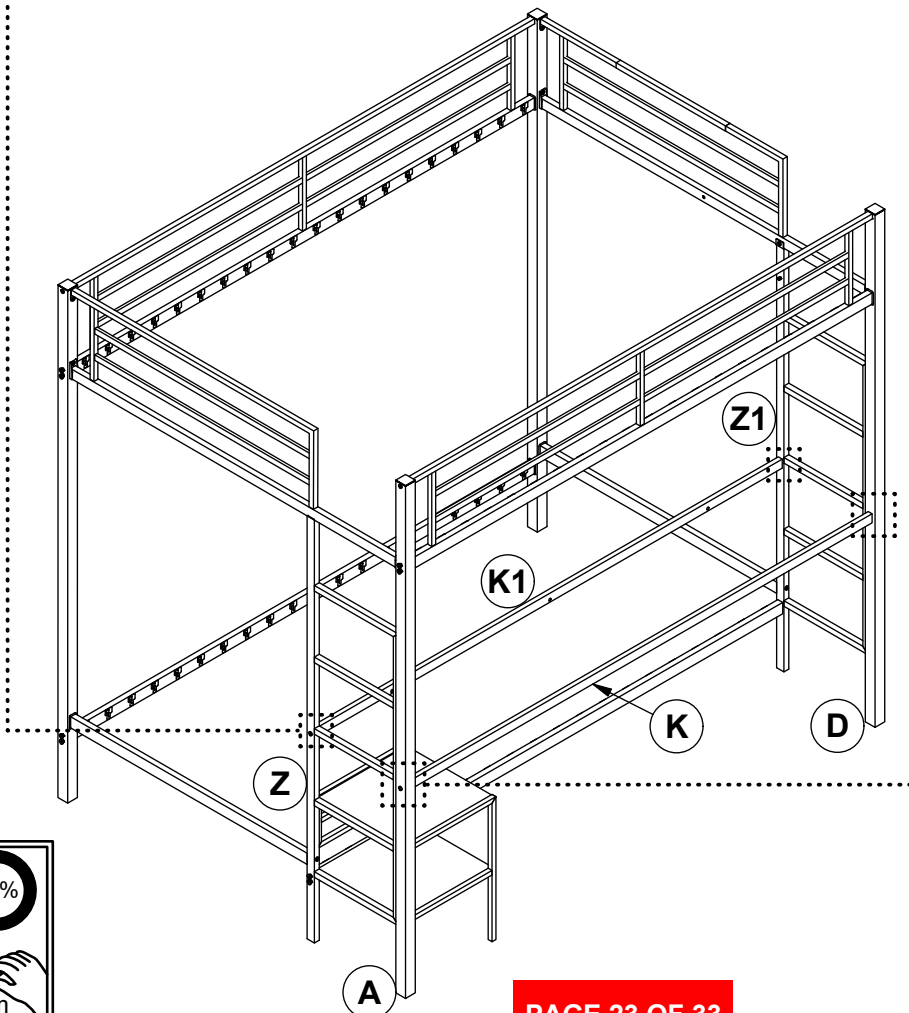


⚠ Screw holes are closer to the lower end.



16.1

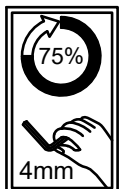
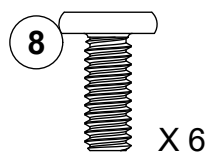
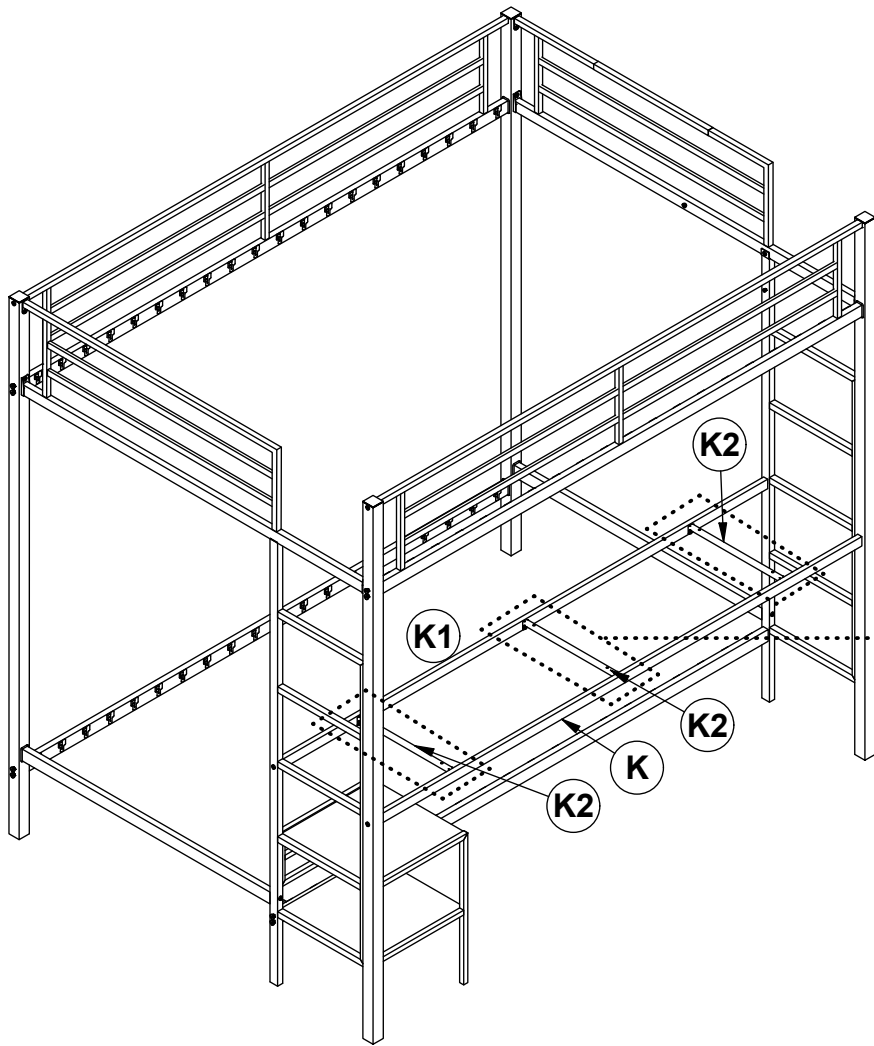
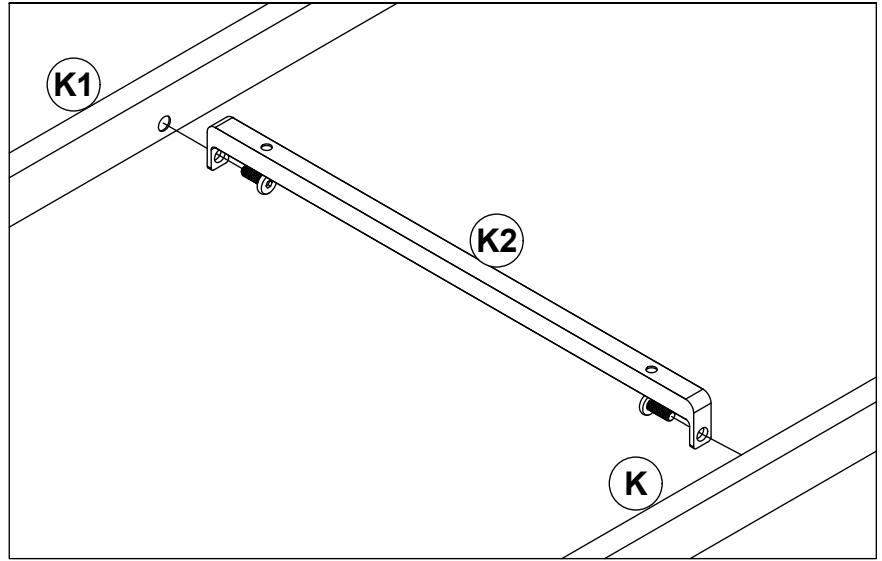
16.2



ITEM: 460209WHT(B1&B2)

ASSEMBLY INSTRUCTIONS

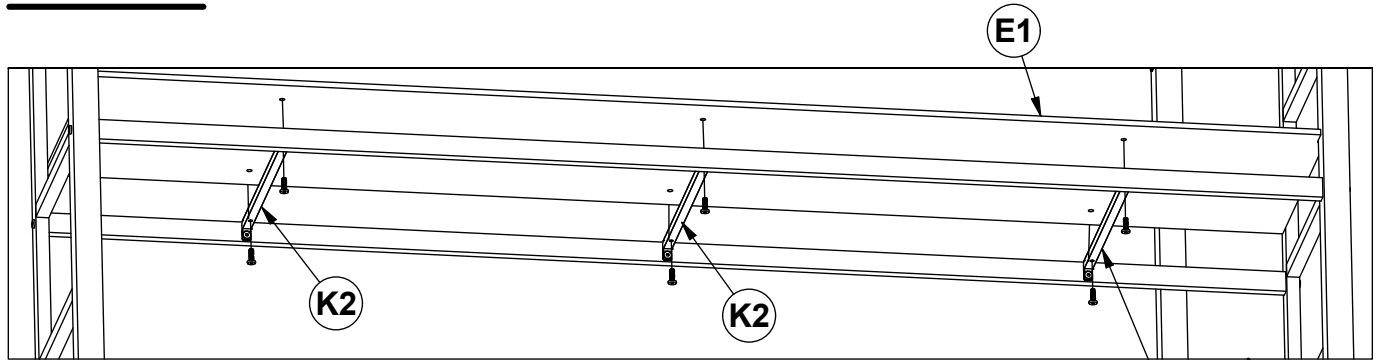
STEP 17



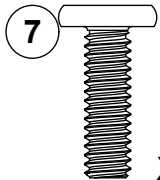
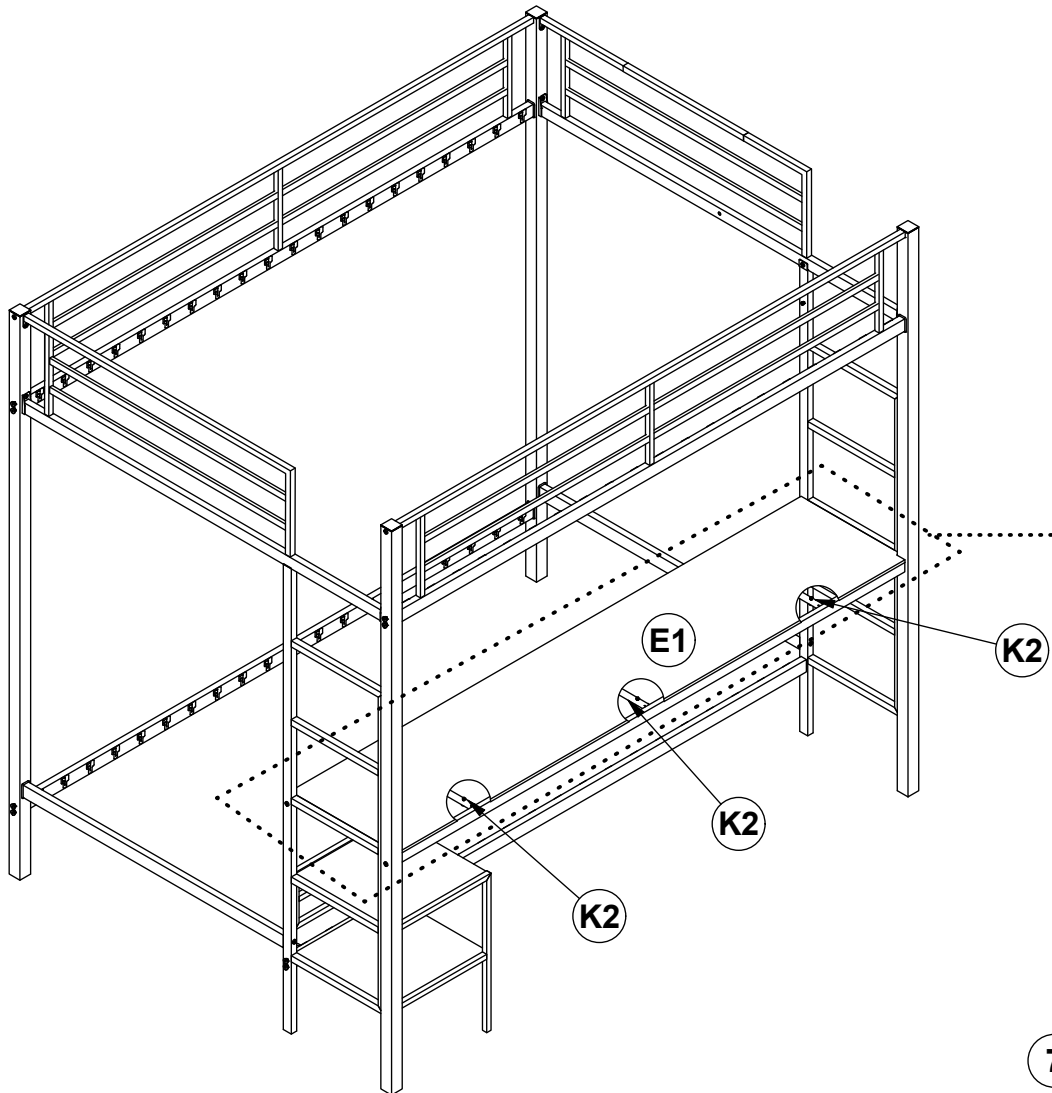
ITEM: 460209WHT(B1&B2)

ASSEMBLY INSTRUCTIONS

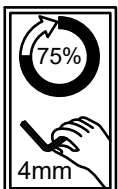
STEP 18



K2



X 6

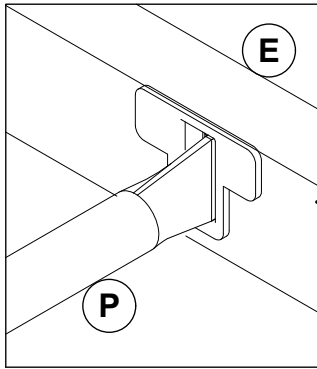
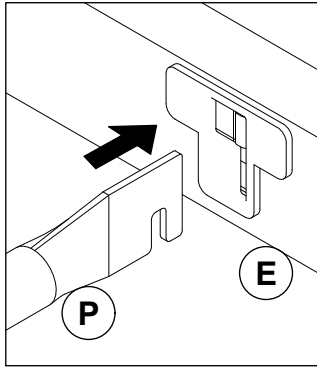


ITEM: 460209WHT(B1&B2)

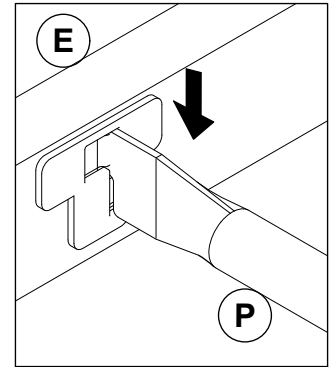
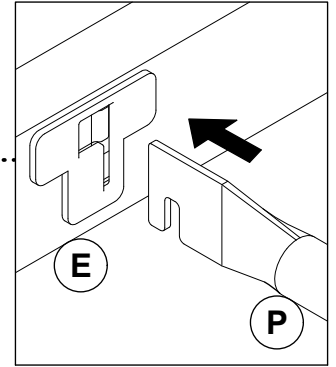
ASSEMBLY INSTRUCTIONS



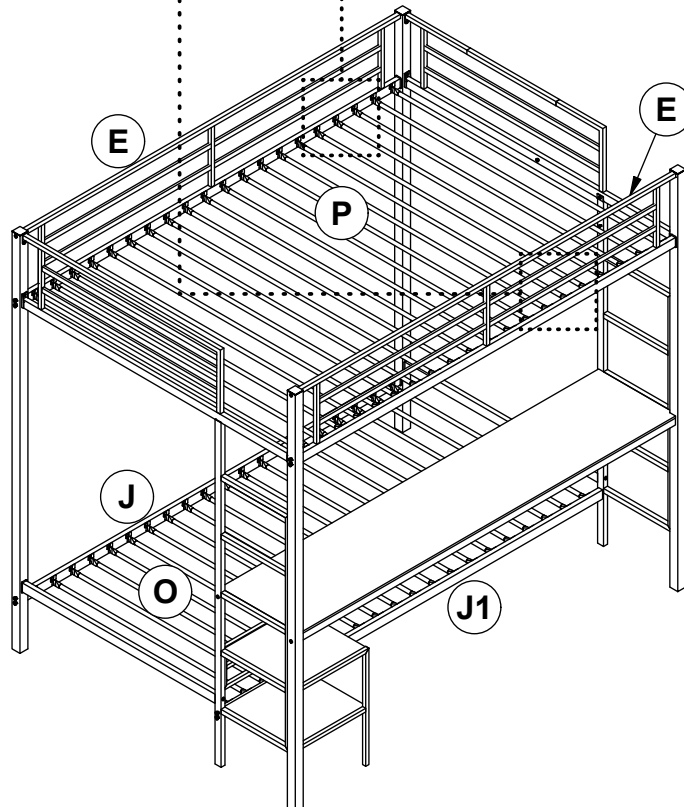
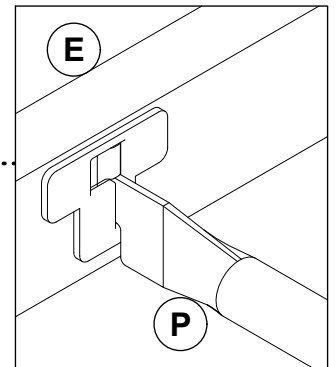
STEP 19



19.1



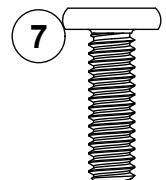
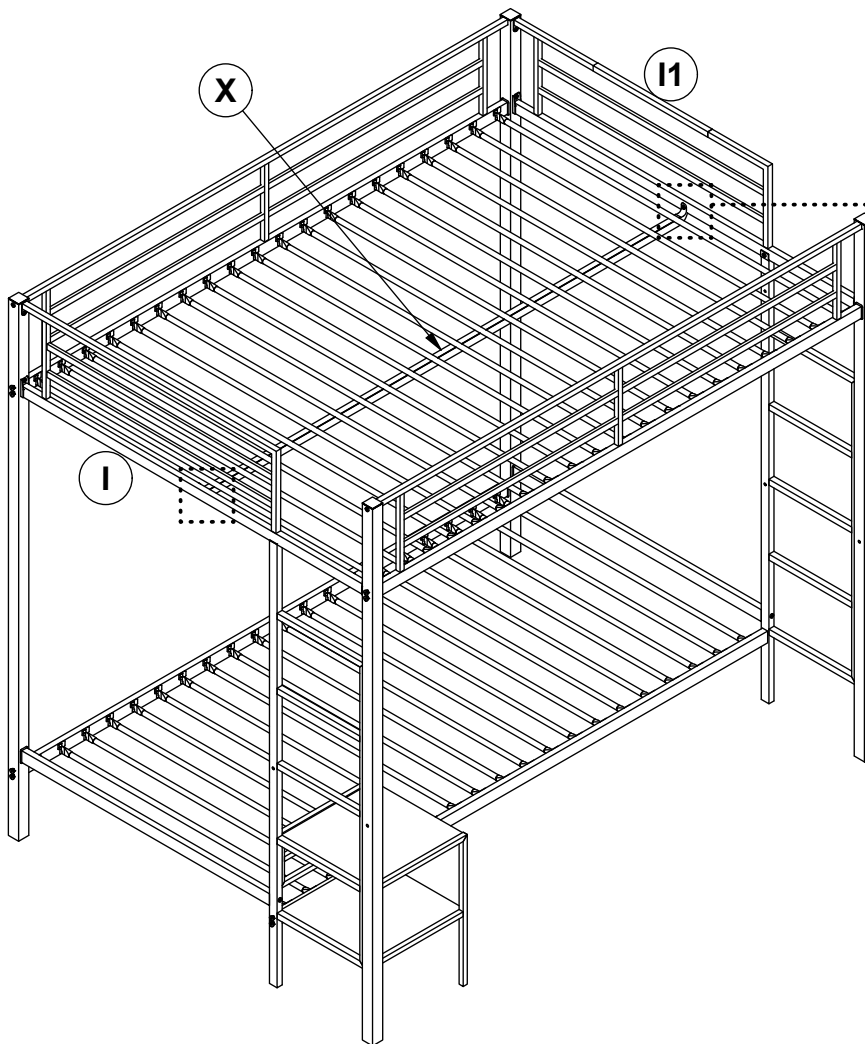
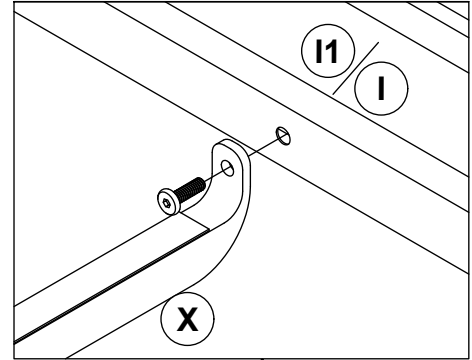
19.2



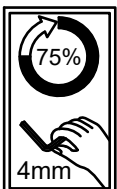
ITEM: 460209WHT(B1&B2)

ASSEMBLY INSTRUCTIONS

STEP 20



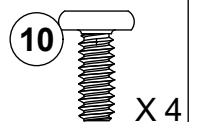
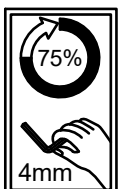
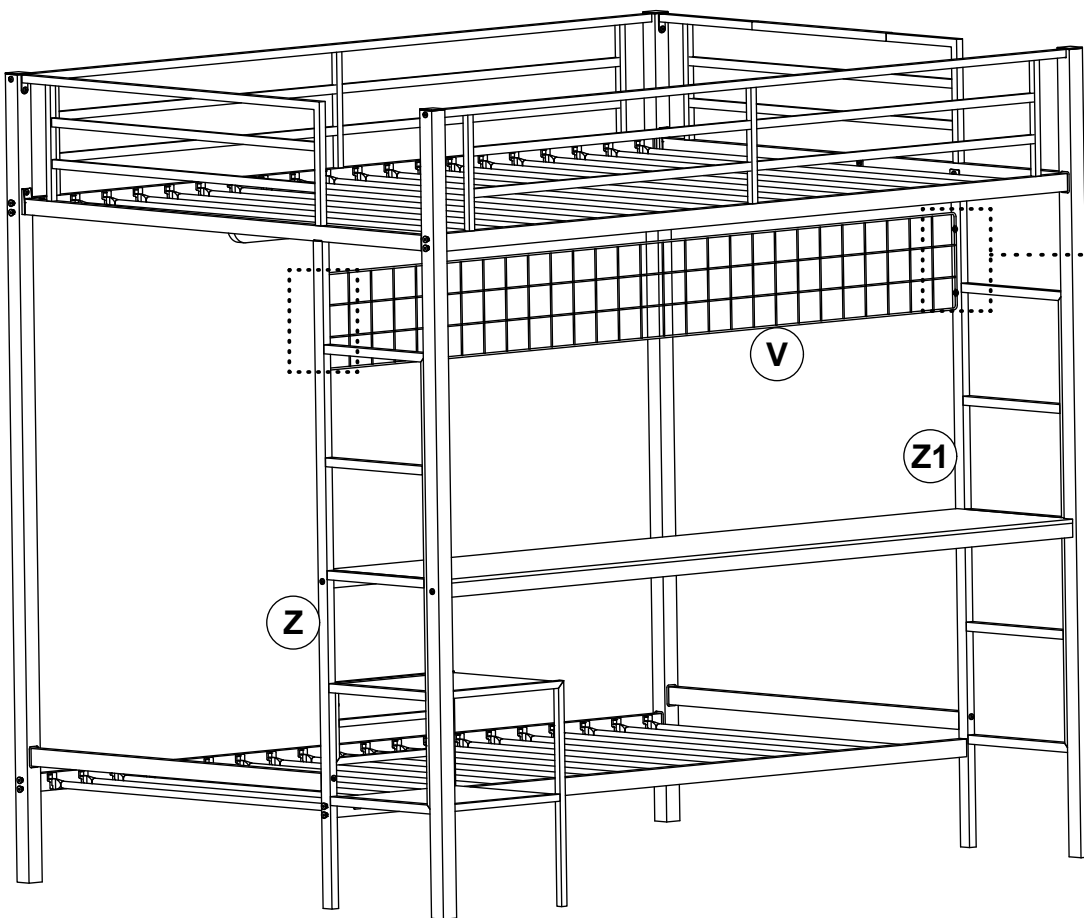
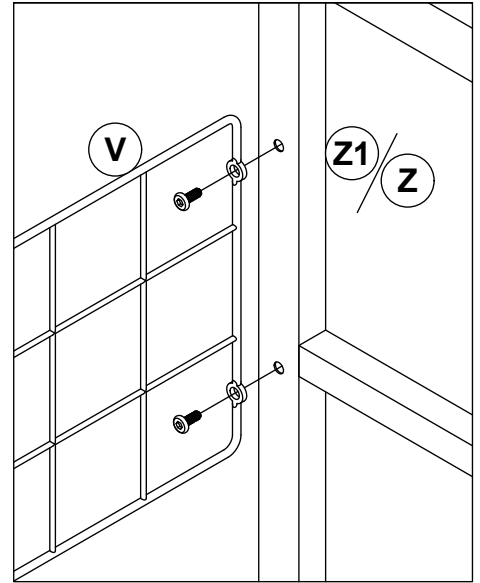
X 2



ITEM: **460209WHT(B1&B2)**

ASSEMBLY INSTRUCTIONS

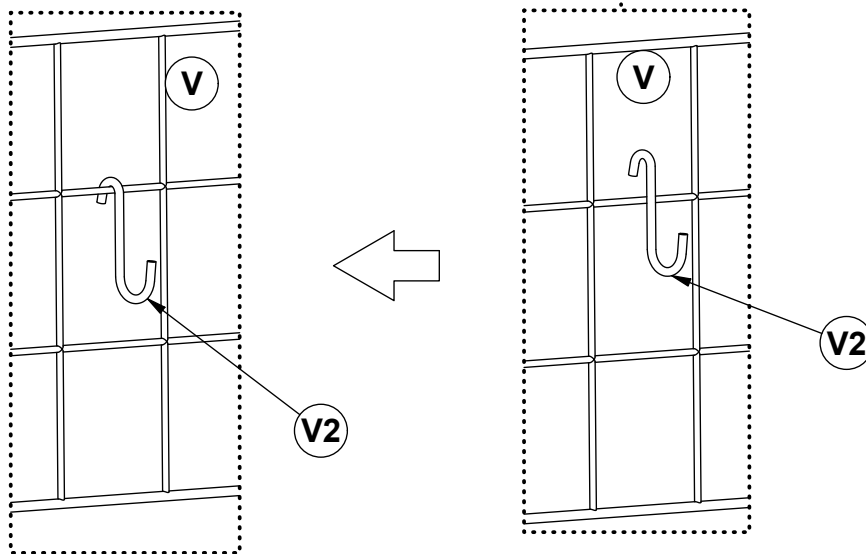
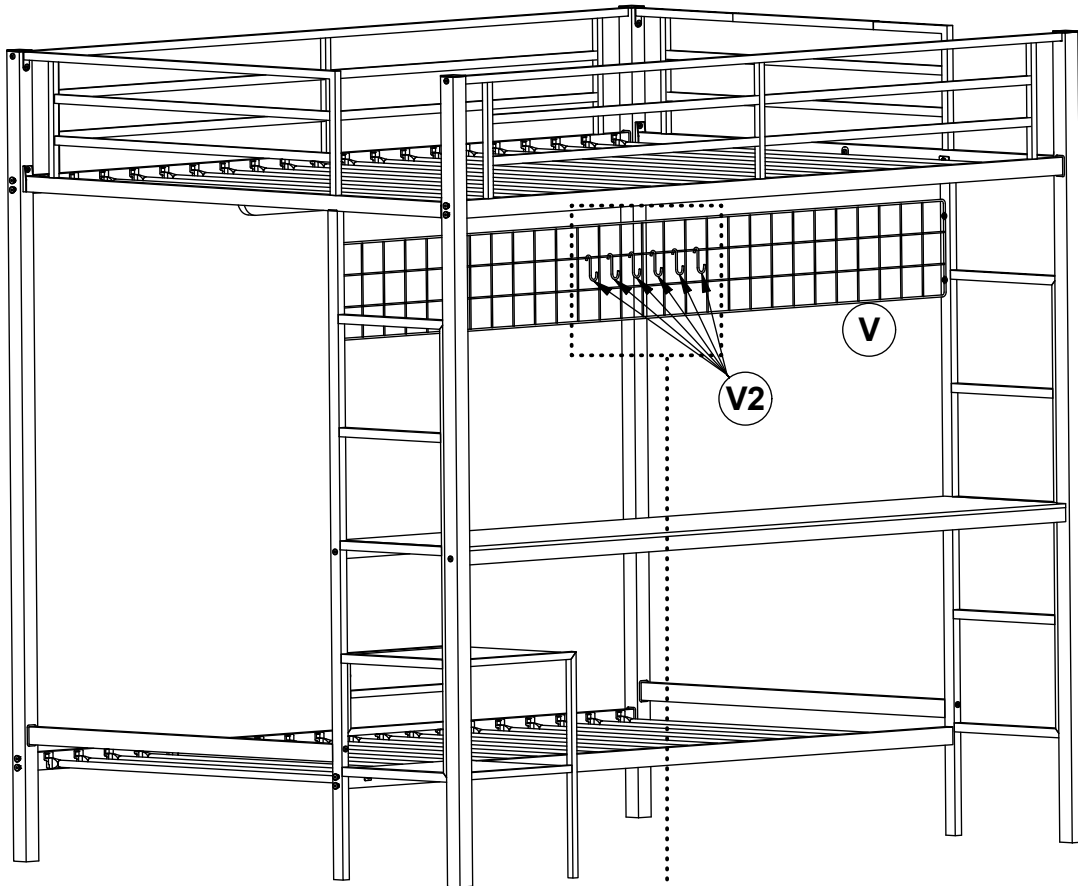
STEP 21



ITEM: **460209WHT(B1&B2)**

ASSEMBLY INSTRUCTIONS

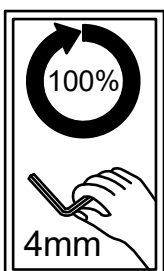
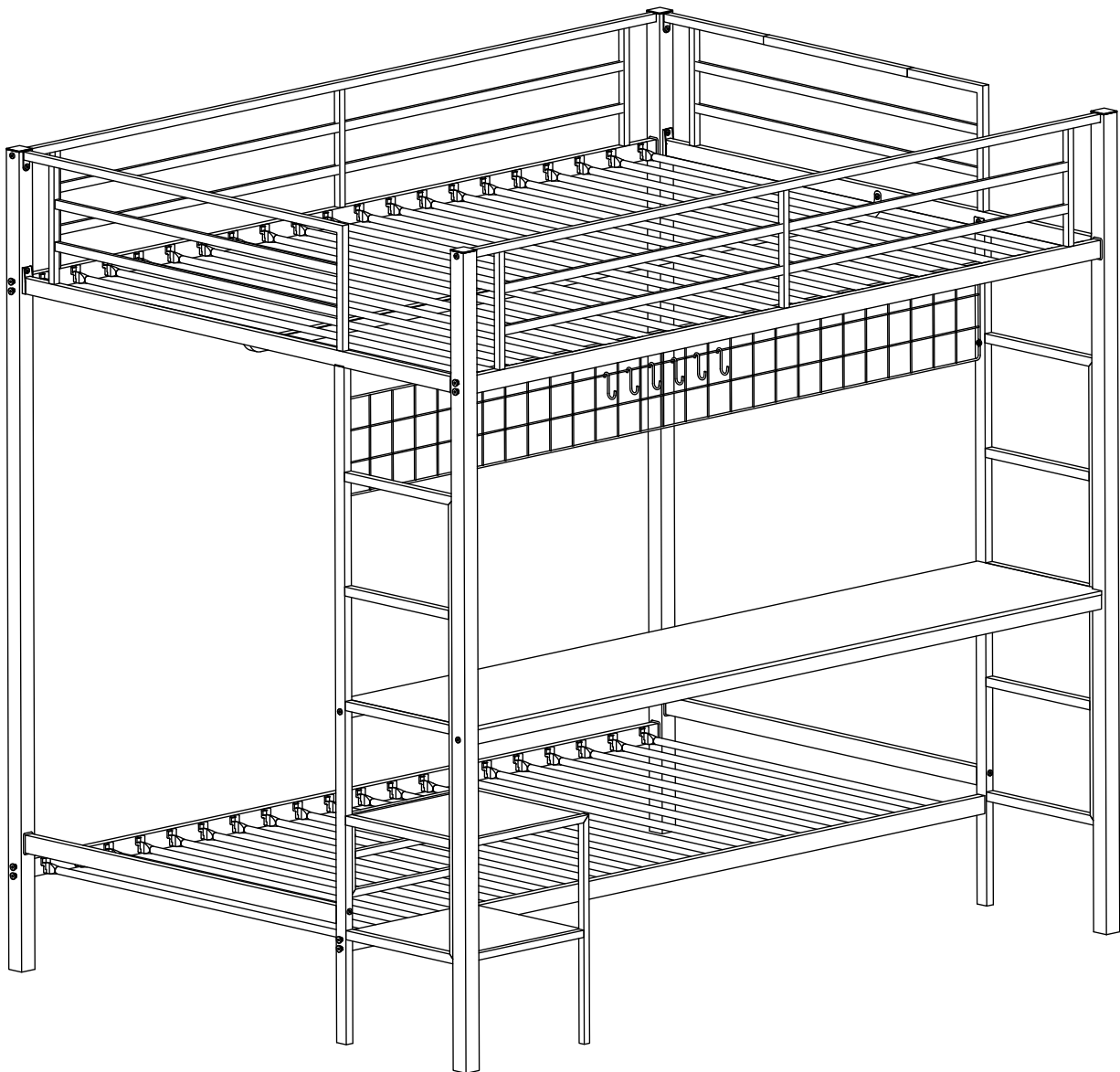
STEP 22



ITEM: **460209WHT(B1&B2)**

ASSEMBLY INSTRUCTIONS

STEP 23
COMPLETE



ITEM: 460209WHT(B1&B2)



ASSEMBLY INSTRUCTIONS

SIZE OF MATTRESS

The length and width of the bunk mattress are as follow:

<i>Upper bunk</i>	<u>Length</u> 74"-75"	<u>Width</u> 52½" - 54"	<u>Thickness</u> 6" Maximum
<i>Lower bunk</i>	<u>Length</u> 74"-75"	<u>Width</u> 37½" - 38½"	<u>Thickness</u> 6" Maximum

Ensure thickness of mattress does not exceed 6" and there must be at least 5" from mattress sleeping surface to top edge of guardrail.



SAFETY WARNING



1. Follow the information on the warnings appearing on the upper bunk end structure and on the carton. Do not remove the warning label from bed.
2. Always use the recommended size mattress or mattress support or both to help prevent the likelihood of entrapment or falls.
3. Surface of mattress must be at least 5 in. (127 mm) below the upper edge of guardrails.
4. Do not allow children under 6 years of age to use the upper bunk.
5. Prohibit more than one person on upper bunk.
6. Periodically check and ensure that the guardrail, ladder, and other components are in their proper position, free from damage, and that all connectors are tight.
7. Do not allow horseplay on or under the bed and prohibit jumping on the bed.
8. Always use the ladder for entering and leaving the upper bunk.
9. Do not use substitute parts. Contact the manufacturer or dealer for replacement parts.
10. Use of a night light may provide added safety precaution for a child using upper bunk.
11. Always use guardrails on both long sides of the upper bunk. If the bunk bed will be placed next to the wall, the guardrail that runs the full length of the bed should be placed against the wall to prevent entrapment between the bed and wall.
12. The use of water or sleep flotation mattress is prohibited.
13. Keep these instructions for future reference.

STRANGULATION HAZARD:

14. Never attach or hang items to any part of the bunk bed that are not designed for use with the bed for example, but not limited to hooks, belts, and jump ropes.

REPLACEMENT PARTS:

Replacement parts, including additional guardrails may be obtained from any COASTER Furniture Dealer.

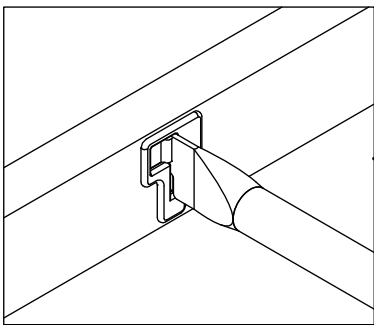
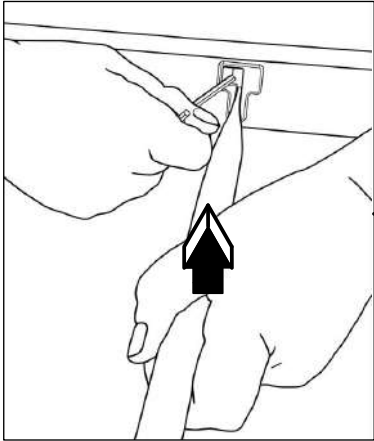
ITEM: 460209WHT(B1&B2)



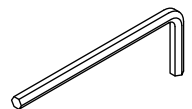
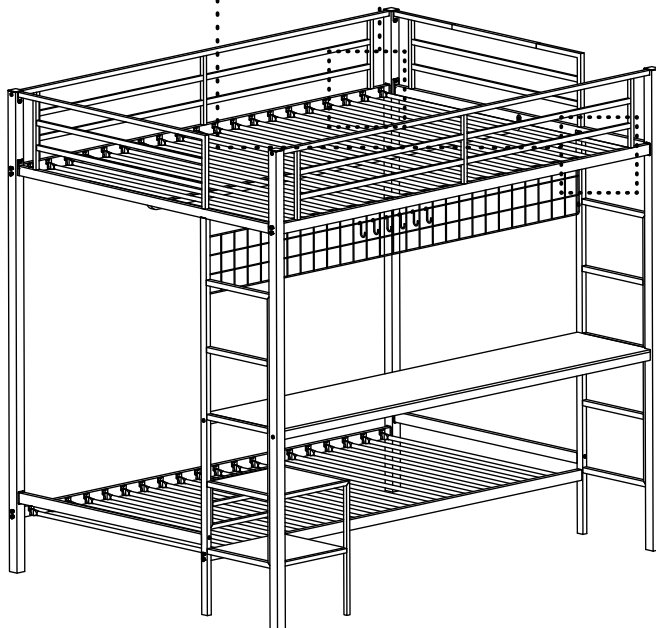
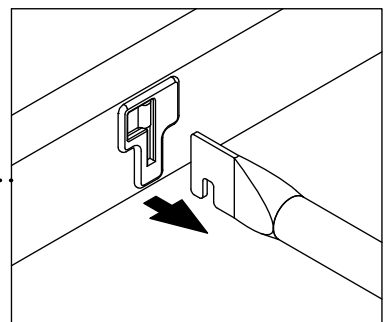
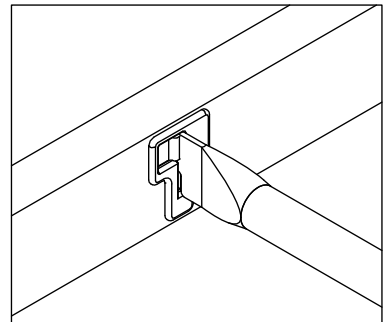
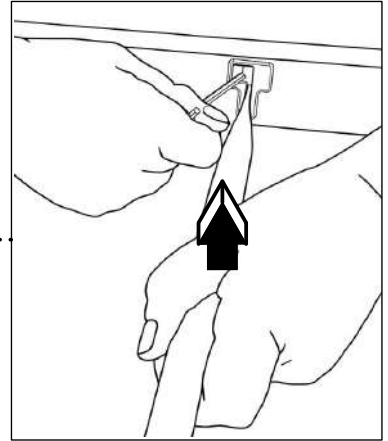
How to Dismantle Bed Slats.

1. Push down the Clip of Slat Plastic Housing using Allen Key, simultaneously lift up the Slat at most.
2. Proceed the same procedure for another end of Slat Plastic Housing and Slat, then pull out the Slat gently.

1



2



ITEM: **460209WHT(B1&B2)**

ASSEMBLY INSTRUCTIONS



 **WARNING** 
TO PREVENT SERIOUS OR FATAL INJURY

1. When using beds as bunk beds, the ladder **MUST** be securely attached to the upper bunk rail at all times.
2. When using the beds as two (2) separate floor-standing beds, the ladder **MUST** be stored in a separate location where children cannot use the ladder in any manner.
3. **DO NOT** use, nor permit children to use, the ladder in any manner whatsoever, other than to access the top unit when used as bunk beds, and only if the ladder is securely attached to the top bunk rail, as set forth in the instructions.
4. Any misuse or unauthorized use of the ladder could result in serious or fatal injury.
5. Failure to follow the above WARNING, and/or failure to follow assembly instructions completely, will void any and all liability of COASTER COMPANY OF AMERICA for damages and injury to persons and property.



Coasterfurniture.com | 877-COASTER (262-7837)

