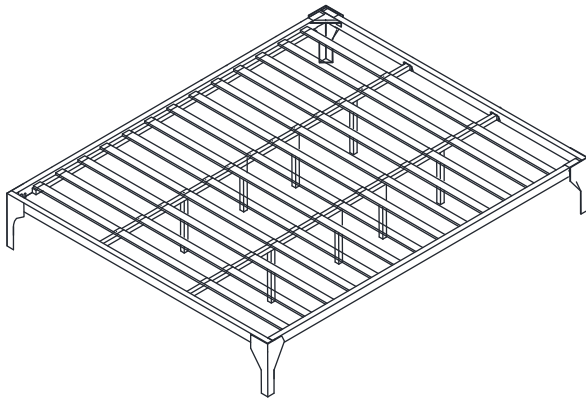





Thank you for purchasing the **MODWAY KING BED FRAME!**

Before you start, here is some helpful advice:

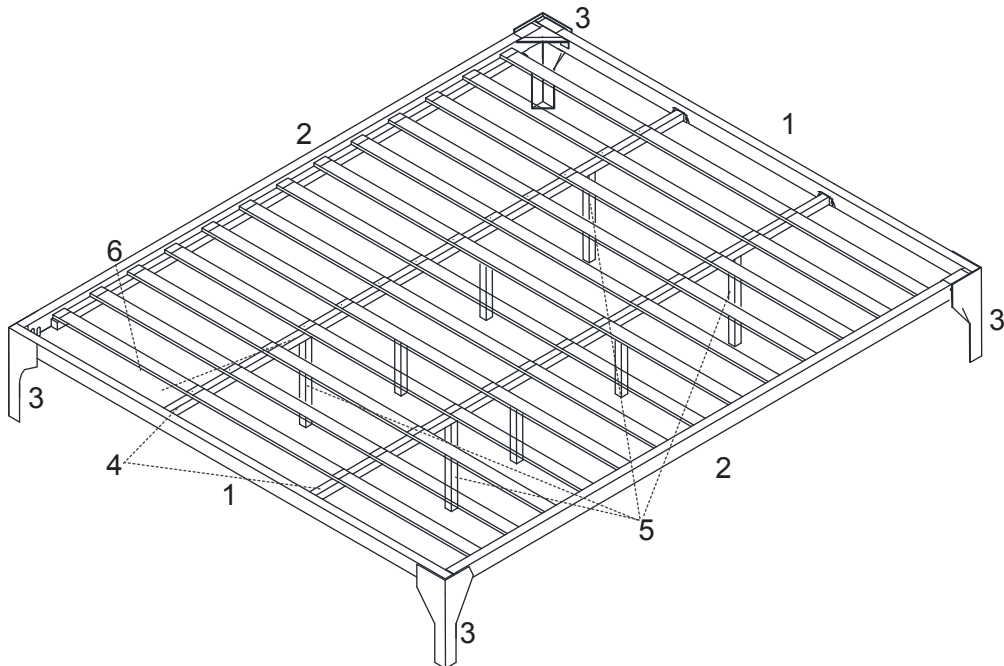
1. We suggest you spend a short time reading through this leaflet and then follow the simple step by step instructions.
2. Owing to the size and weight of the bed frame, we recommend that it is assembled by two adults, on a carpeted or padded area, in the room that it is intended for. Approx assembly time: 45 minutes.
3. Please do not use any tools other than those provided or recommended in these instructions.
4. Please do not throw away any of the packaging or the instruction until you have checked all the components and hardware and the furniture is fully assembled. Please ensure that the packaging is disposed of in a safe environmentally friendly way.
5. Assemble all components loosely until advised to tighten. Depending on use, it may be necessary to tighten the components from time to time, so please save the tools that has been provided.
6. Please keep all fitting out of reach of children.



### Hardware:

A		Blot M8x20mm	x32
B		Blot M6x35mm	x16
C		Metal Support	x4
D		Nut M6	x16
E		Flat Washer	x16
F		Allen Wrench M8	x1
G		Open Wrench	x1
H		Side Plastic Cover	x26
I		Center Plastic Cover	x26
J		Allen Wrench M6	x1

### Component:



1	Short Board	x2	2	Long Board	x2	3	Leg	x4
4	Center Rail	x2	5	Support Leg	x8	6	Slat	x39

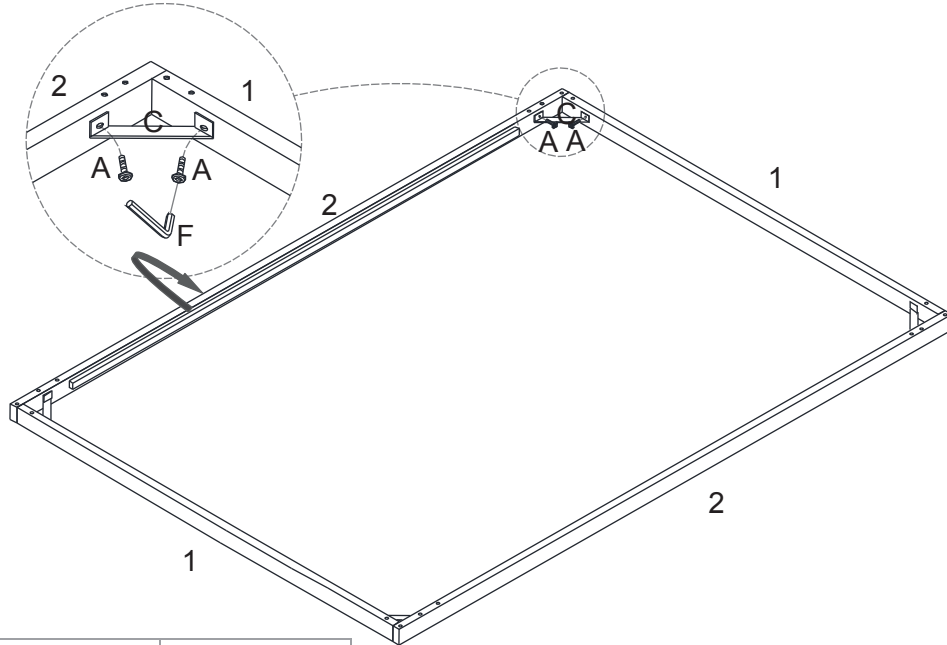
## STEP 1:

Please put **Short Boards (1)**, **Long Boards (2)** upside down on a carpeted or padded area.

Attach 1 piece of **Metal Support (C)** to one corner of **Short Boards (1)** and **Long Boards (2)** by using 2 pieces of **Bolt (A)** as shown.

Repeat the same steps for the remaining 3 pieces of **Metal Support (C)**.

Use **Allen Wrench (F)** to tighten **Bolts (A)** clockwise until secure.



Ax8	Cx4	Fx1

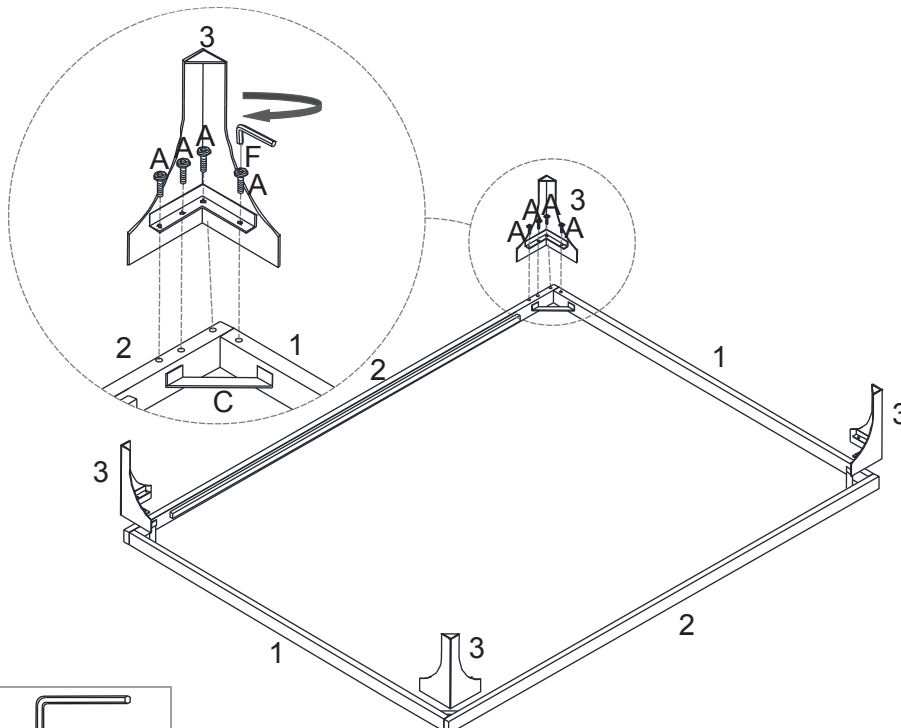
Hardware & Tool required

## STEP 2:

Attach 1 piece of **Leg (3)** to one corner of **Short Boards (1)** and **Long Boards (2)** by using 4 pieces of **Bolt (A)** as shown.

Repeat the same steps for the remaining 3 pieces of **Leg (3)**.

Use **Allen Wrench (F)** to tighten **Bolts (A)** clockwise until secure. And then please turn over the bed frame by two people carefully.



Ax16	Fx1

Hardware & Tool required

### STEP 3:

Place 2 pieces of **Stretcher (4)** to the assembled **short Board (2)**.

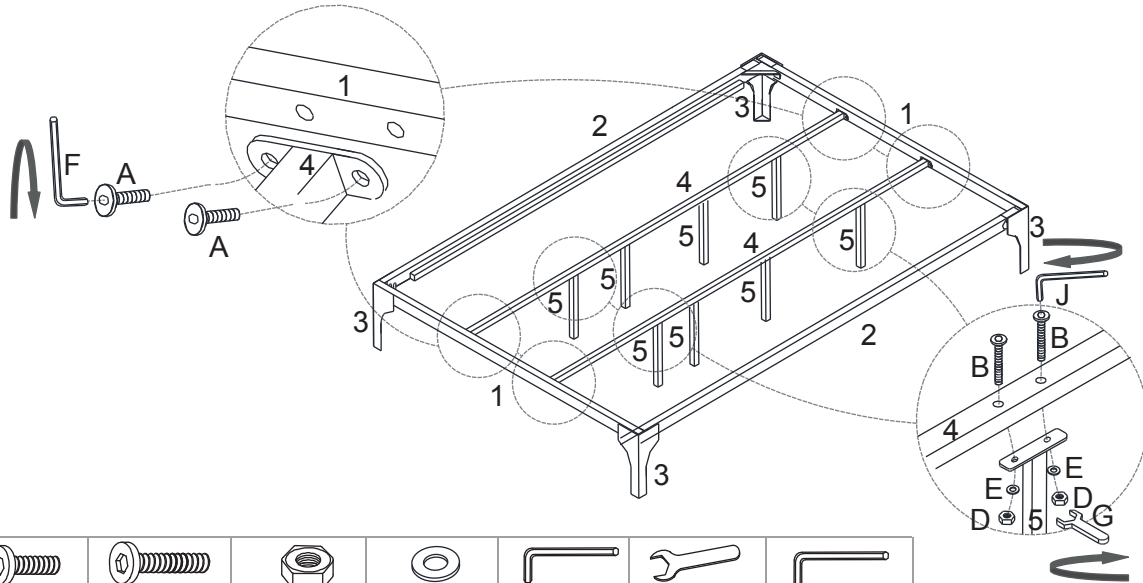
Secure each end of **Stretcher (4)** by using 2 pieces of **Bolt (A)** as shown.

Tighten **Bolts (A)** by using **Allen Wrench (F)** clockwise until secure.

Place 4 pieces of **Support Leg (5)** under each assembled **Stretcher (4)**.

Secure each **Support Leg (5)** by using 2 piece of **Bolt (B)**, 2 pieces of **Nut (D)**, 2 pieces of **Flat Washer (E)** as shown.

Tighten **Bolts (B)** and **Nuts (D)** by using **Allen Wrench (J)** and **Open Wrench (G)** until secure.



Ax8	Bx16	Dx16	Ex16	Fx1	Gx1	Jx1

Hardware & Tool required

### STEP 4:

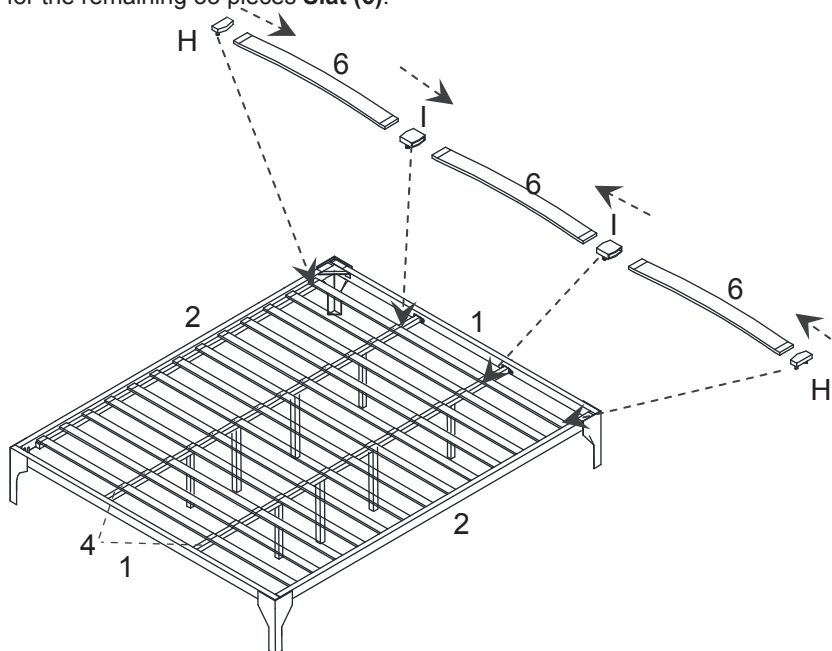
Insert 2 pieces of **Center Plastic Cover (I)** into the end of 1 piece of **Slat (6)** as shown.

Insert one end of 2 pieces of **Slats (6)** into the 2 pieces of **Center Plastic Cover (I)** as shown.

Insert 2 pieces of **Side Plastic Cover (H)** into the remaining end of 2 pieces of **Slat (6)** as shown.

Insert the assembled **Side Plastic Covers (H)** into the corresponding holes on **Long Board (1)**, and the assembled **Center Plastic Covers (I)** into the corresponding holes on **Center Rail (4)** as shown.

Repeat the same steps for the remaining 33 pieces **Slat (6)**.



Assembly is complete. Your bed frame is ready to be used now!

Hx26	I x26

Hardware & Tool required