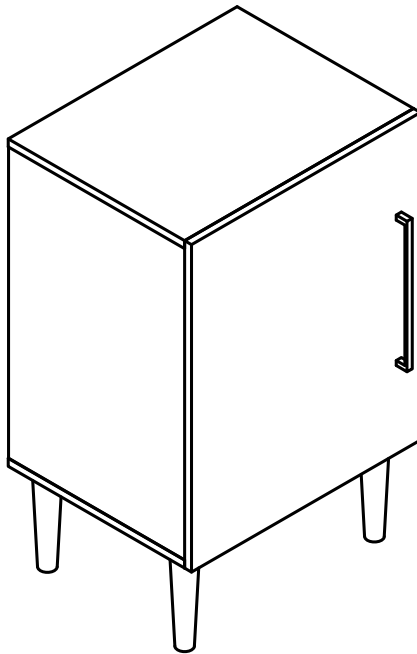
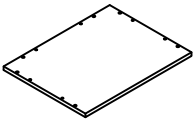
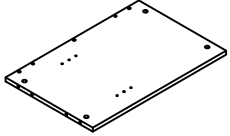
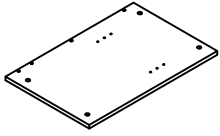
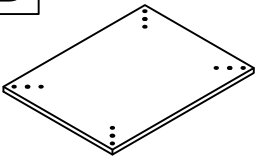
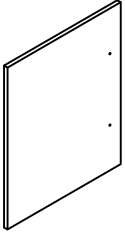
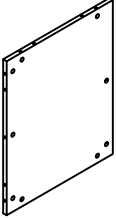
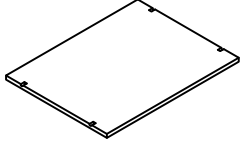
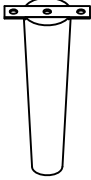





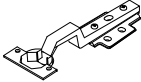
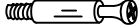




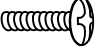




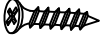
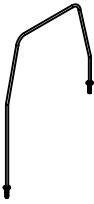


Everett Record Player Stand  
CF1104-MA



# PART LIST

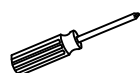
<p><b>A</b></p> 	<p><b>B</b></p> 	<p><b>C</b></p> 	<p><b>D</b></p> 	<p><b>E</b></p> 
<p>Top Panel 1 PC</p>	<p>Left Side Panel 1 PC</p>	<p>Right Side Panel 1 PC</p>	<p>Bottom Panel 1 PC</p>	<p>Door Panel 1 PC</p>
<p><b>F</b></p> 	<p><b>G</b></p> 	<p><b>H</b></p> 		
<p>Back Panel 1 PC</p>	<p>Adjustable Shelf 1 PC</p>	<p>Leg 4 PCS</p>		

# HARDWARE LIST

<p>#1</p>  <p>M6*13</p>	<p>#2</p>  <p>Ø35</p>	<p>#3</p>  <p>Ø7*35</p>	<p>#4</p>  <p>Ø15*12</p>	<p>#5</p>  <p>Ø8*30</p>
<p>Allen Bolt 8 PCS</p>	<p>Door Hinge 2 PCS</p>	<p>Cam Bolt 20 PCS (Extra 2)</p>	<p>Cam Lock 20 PCS (Extra 2)</p>	<p>Wood Dowel 18 PCS (Extra 2)</p>
<p>#6</p>  <p>D7*Ø3.5*12</p>	<p>#7</p> 	<p>#8</p>  <p>Ø9*5/32"*1"</p>	<p>#9</p>  <p>Ø8*5*16</p>	<p>#10</p> 
<p>Screw 14 PCS (Extra 2)</p>	<p>Handle 1 PC</p>	<p>Round Head Bolt 2 PCS</p>	<p>Shelf Holder 4 PCS</p>	<p>Magnet 1 PC</p>
<p>#11</p>  <p>M4</p>	<p>#12</p> 	<p>#13</p>  <p>D6*Ø3*12</p>	<p>#14</p> 	<p>#15</p> 
<p>Allen Wrench 1 PC</p>	<p>Open End Wrench 1 PC</p>	<p>Screw 4 PCS (Extra 2)</p>	<p>Metal Wire 4 PCS</p>	<p>Hex Nut 8 PCS</p>
<p>#16</p>  <p>Safety Strap Kit 1 PC</p>				

## ADDITIONAL TOOLS(Not Provided)

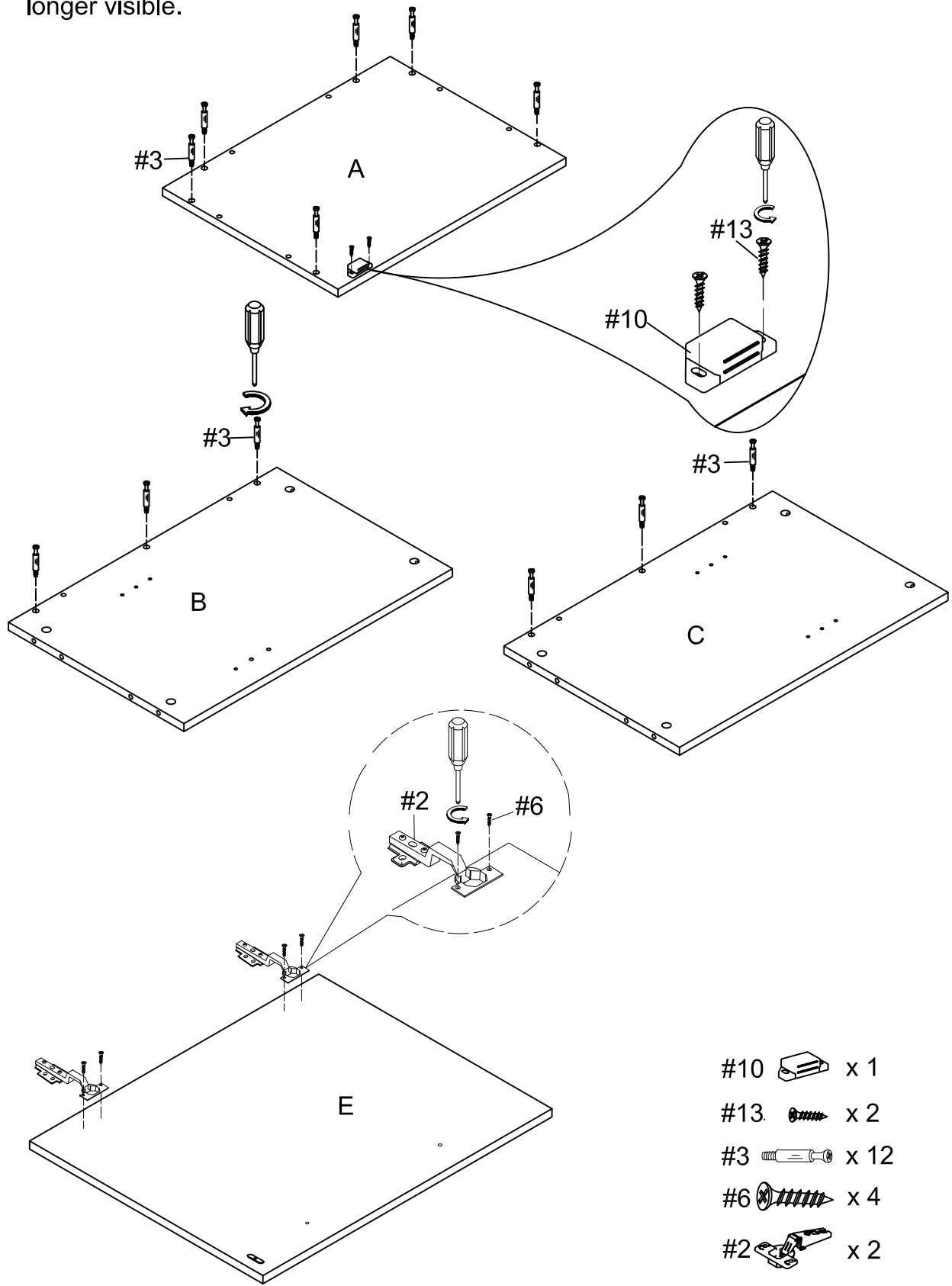
Note:It is not recommended to use power tools during assembly.



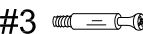




Phillips Head Screwdriver

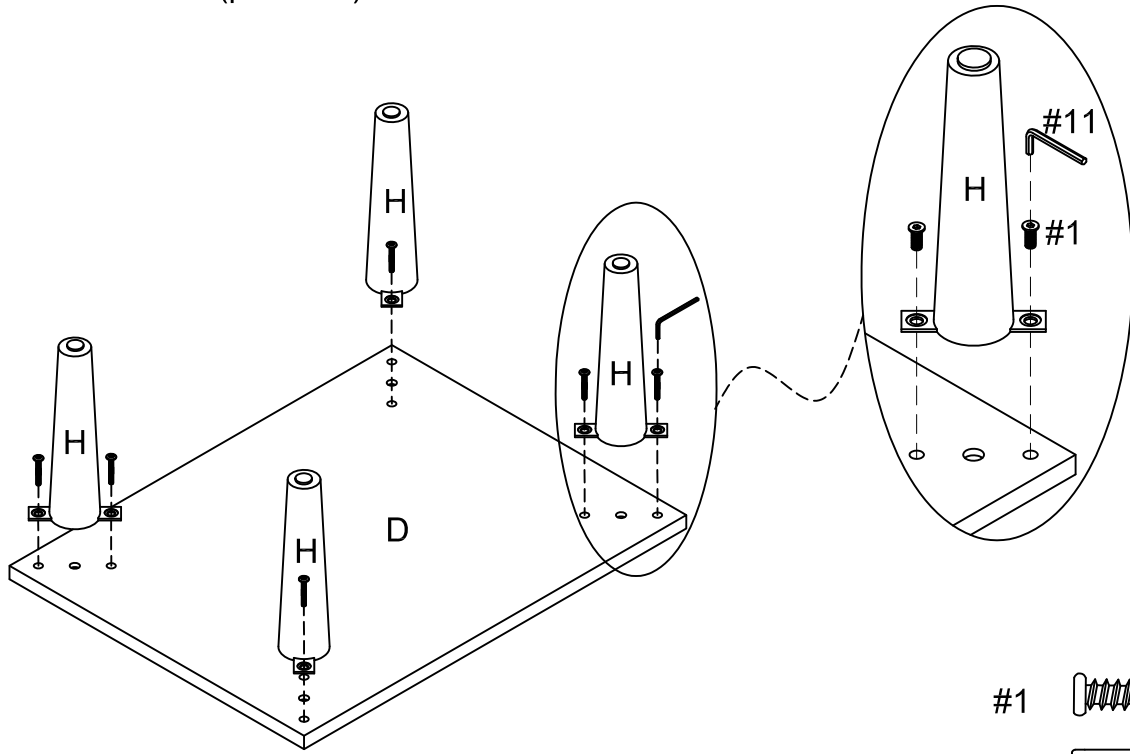
Step 1. Attach magnet (part #10) to top panel (part A) by using screws (part #13) and phillips head screwdriver. Insert cam bolts (part #3) into pre-drilled holes of top panel (part A), left side panel (part B) and right side panel (part C) by using phillips head screwdriver. Attach door hinges (part #2) to door panel (part E) by using screws (part #6) and phillip head screwdriver.



NOTE: Do not overtighten cam bolts. Stop tightening once threads on cam bolt are no longer visible.



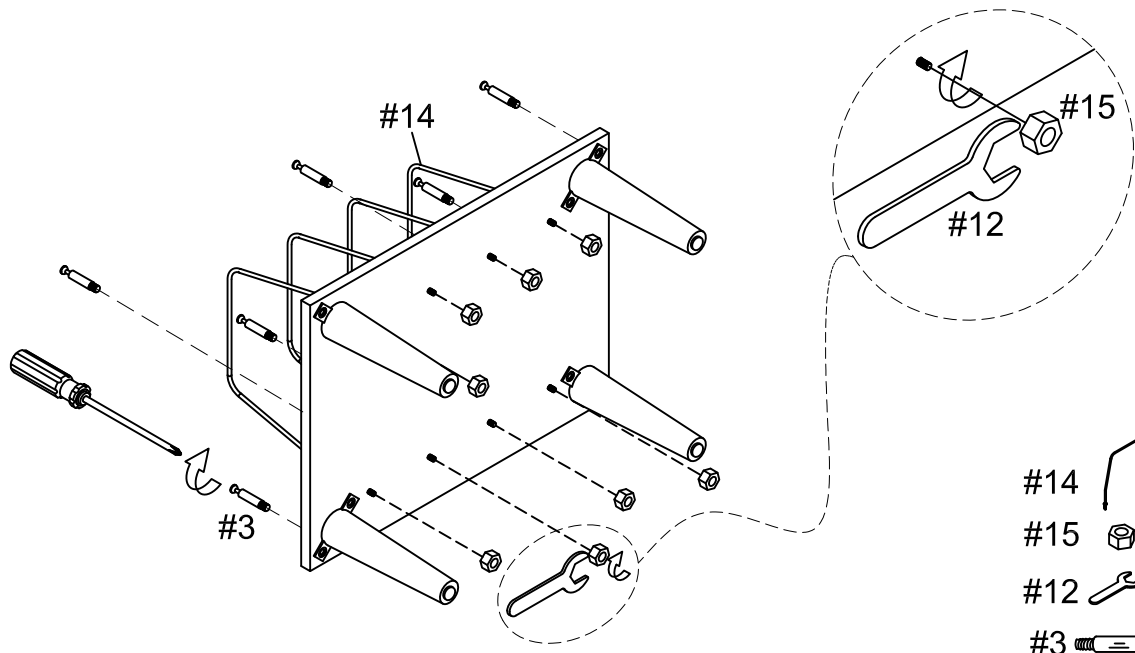
- #10  x 1
- #13  x 2
- #3  x 12
- #6  x 4
- #2  x 2




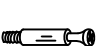
Step 2. Attach legs (part H) to bottom panel (part D) by using allen bolts (part #1) and allen wrench (part #11).



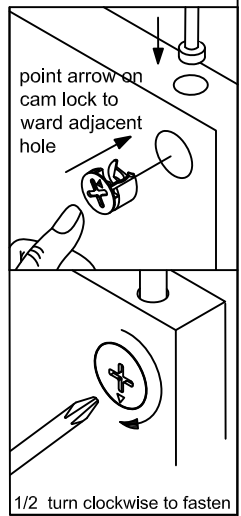
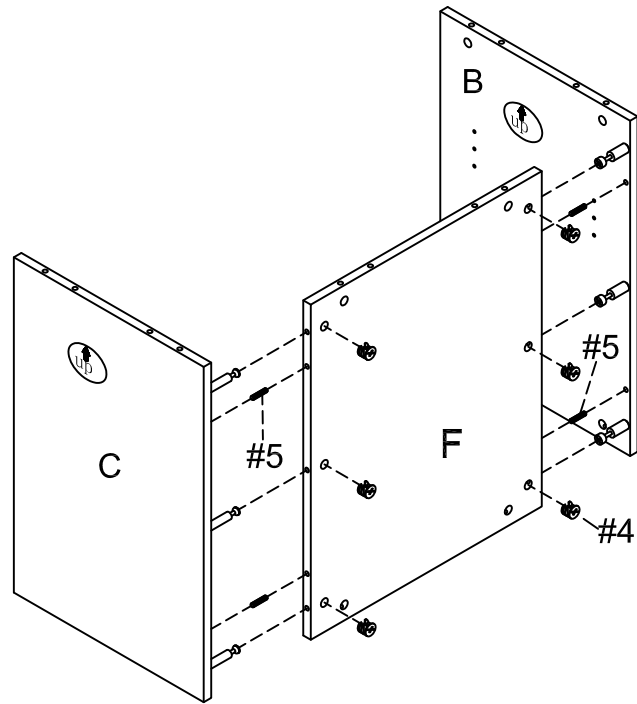
- #1  x 8
- #11  x 1



Step 3. Attach metal wires (part #14) to bottom panel (part D) by using hex nuts (part #15) and open end wrench (part #12). Insert cam bolts (part #3) into the pre-drilled holes of bottom panel (part D) by using phillips head screwdriver.  
 NOTE: Do not overtighten cam bolts. Stop tightening once threads on cam bolt are no longer visible.



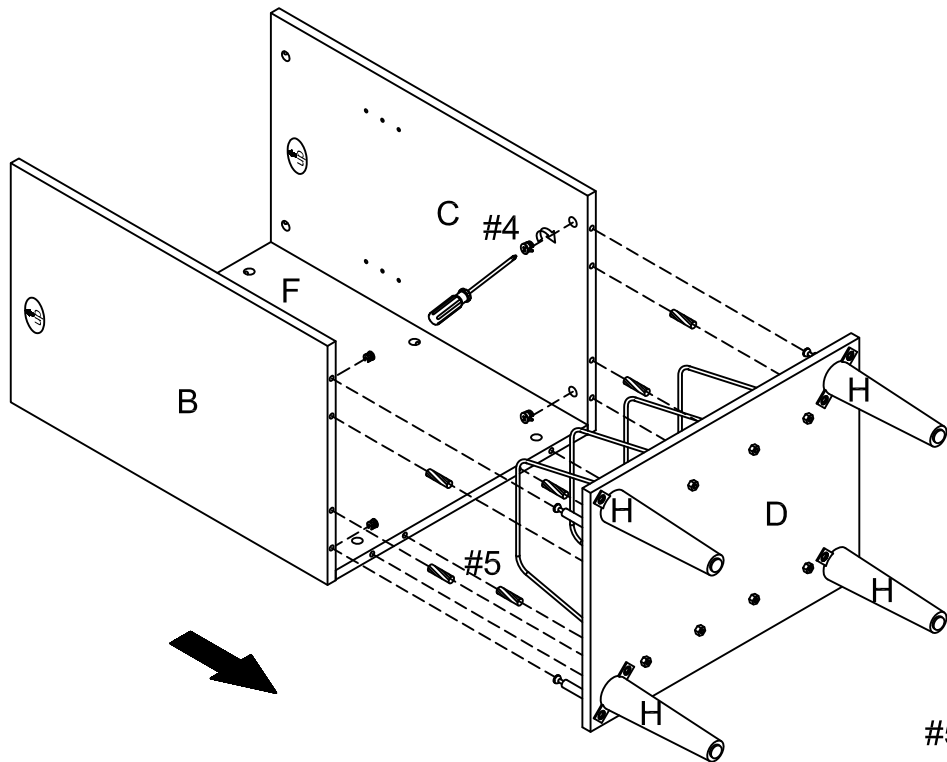
- #14  x 4
- #15  x 8
- #12  x 1
- #3  x 6



Step 4. Attach back panel (part F) to left side panel (part B) and right side panel (part C) by using cam locks (part #4), wood dowels (part #5) and phillips head screwdriver.  
 NOTE: Cam locks must rotate full 180°. See pictured insert.



- #4  x 6
- #5  x 4

Step 5. Attach bottom panel (part D) to left side panel (part B), right side panel (part C) and back panel (part F) by using wood dowels (part #5), cam locks (part #4) and phillips head scredriver.  
 NOTE: Cam locks must rotate full 180°. See pictured insert.

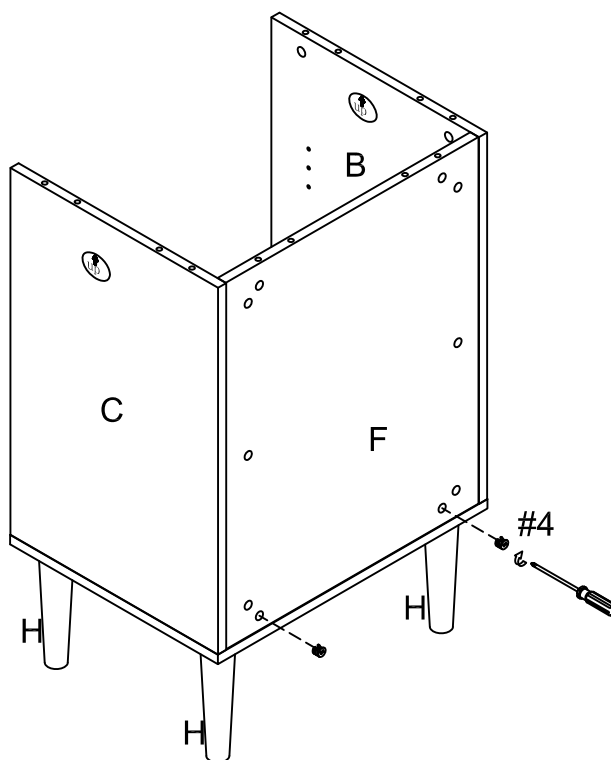


- #5  x 6
- #4  x 4

Step 6. Carefully turn the unit upright.

Insert the cam locks (part #4) into the pre-drilled holes on the bottom of back panel (part F) and lock by using phillips head screddriver.

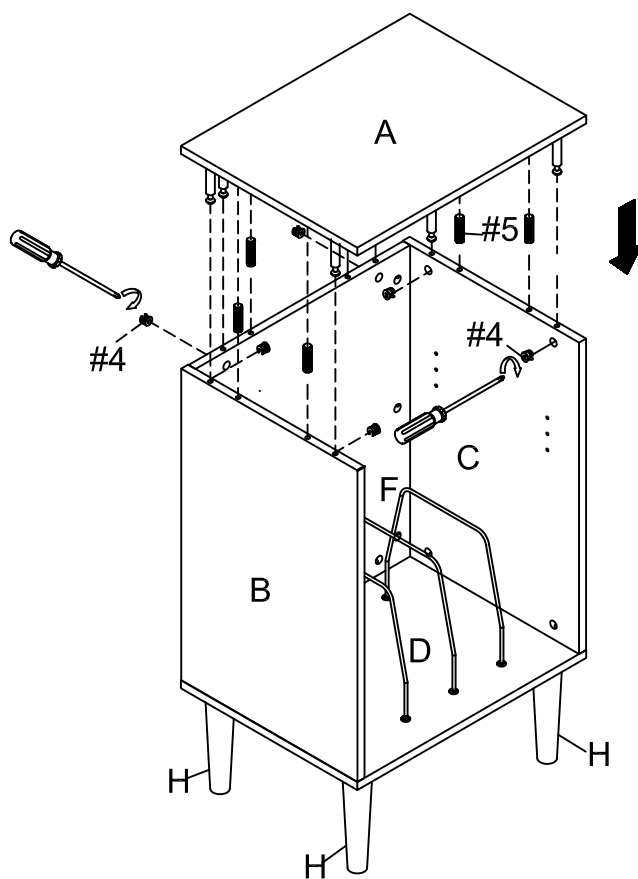
NOTE: Cam locks must rotate full 180°. See pictured insert.



#4  x 2

Step 7. Attach top panel (part A) to left side panel (part B), right side panel (part C) and back panel (part F) by using wood dowels (part #5), cam locks (part #4) and phillips head screwdriver.

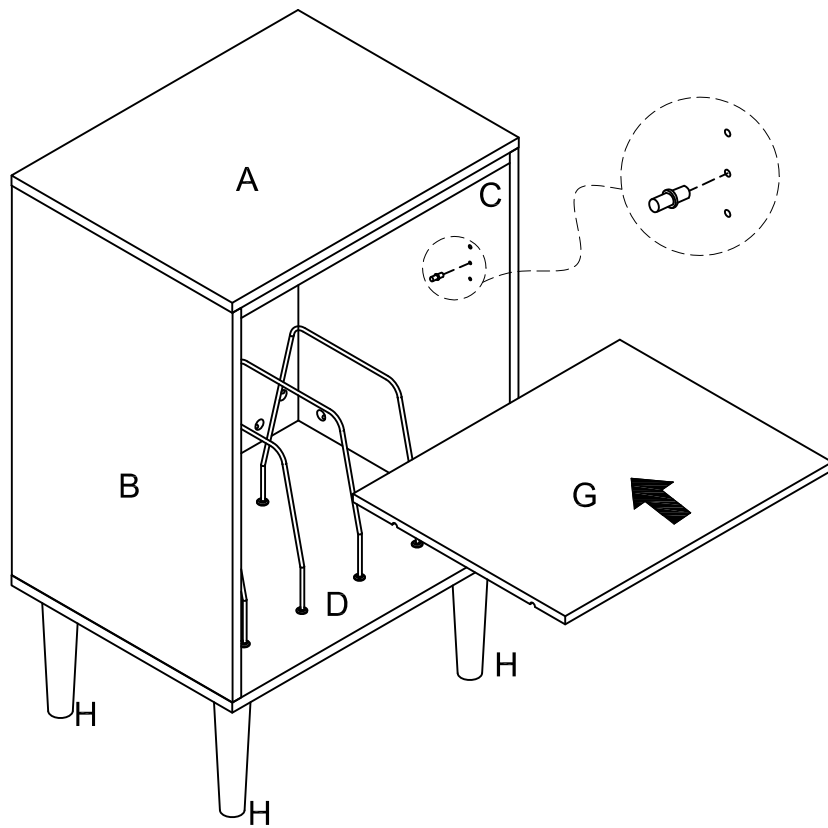
NOTE: Cam locks must rotate full 180°. See pictured insert.



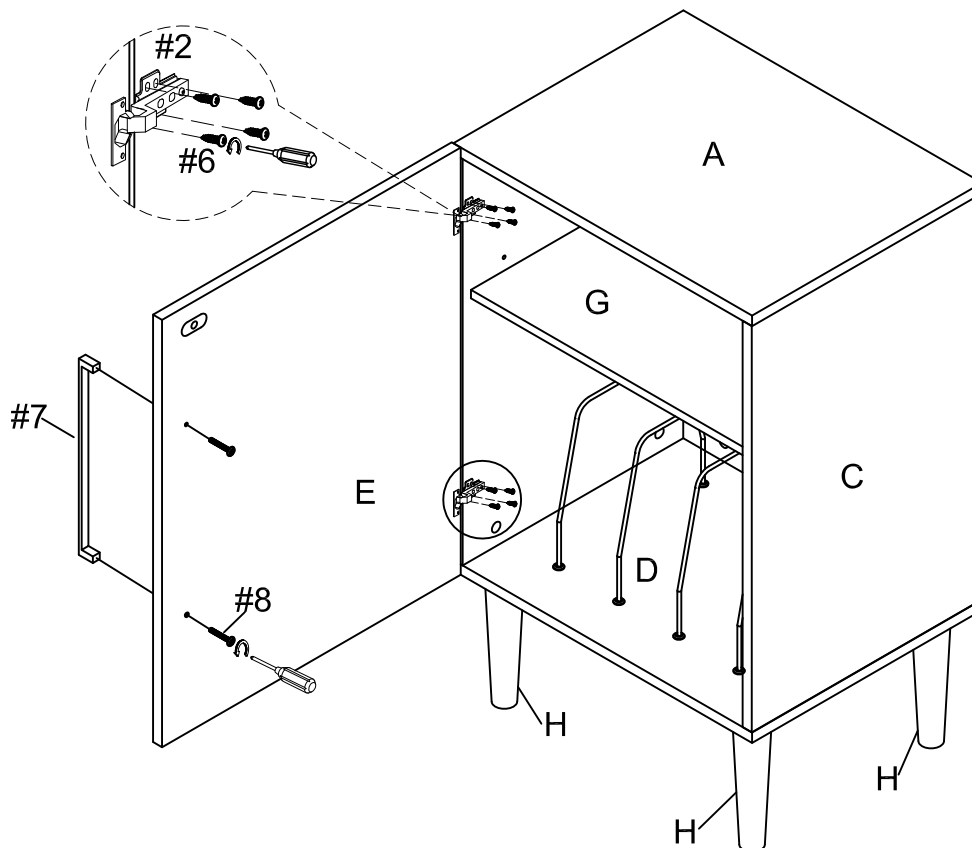
#4  x 6

#5  x 6

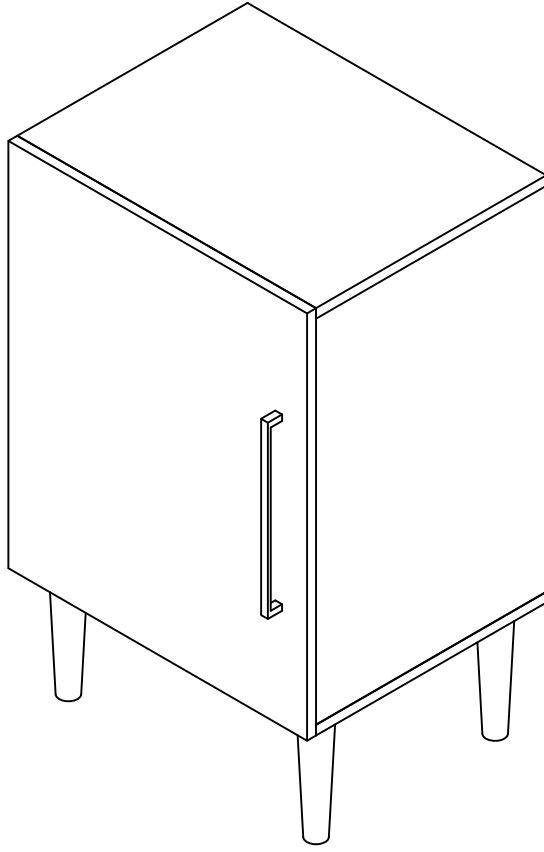
Step 8. Insert shelf holders (part #9) into desired position and slide adjustable shelf (part G) into place.


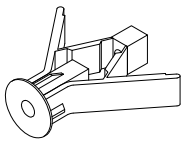

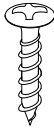

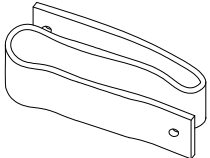


Step 9. Attach door panel (part E) to left side panel (part B) by using screws (part #6) and phillips head screw driver at hinge (part #2). Then attach handle (part #7) to door panel (part E) by using round head bolts (part #8) and phillips head screwdriver.







	<p><b>A</b></p>  <p>Wall anchor A x1 PC</p>	<p><b>B</b></p>  <p>Washer B x 2 PC</p>	<p><b>C</b></p>  <p>D8*3/4" Short Screw C x 1 PC</p>	<p><b>D</b></p>  <p>D8*1-1/2" Long Screw D x 1 PC</p>	<p><b>E</b></p>  <p>E x 1PC</p>
--	--	--	---	--	--

**SAFETY STRAP WALL ASSEMBLY INSTRUCTIONS**

1) Insert short screw (part #C) through washer (part #B) and safety wall strap (part #E) and screw it into the top center of top panel (part A).

2) Drill a 11/32" hole where you want to secure your unit. The hole should be at the same height as the hole in the top center of top panel (part A). Tap wall anchor (part #A) into the hole.

3) Insert long screw (part #D) through a washer (part #B) and wall safety strap (part #E) into wall anchor the top center of top panel (part A).

