
BERTAZZONI PROFESSIONAL SERIES

36" UNDERMOUNT CANOPY HOOD

KU36 PRO 2 X/14

HIGHLIGHTS

- Double motor canopy hood features a medium or full width duct cover as optional.
- 2x600 CFM max extraction power with two motors controlled by 3 speed settings.
- 4 LED lights give exceptionally bright worktop illumination.

FEATURES

Hood finishing	stainless steel
Motor	2
Speed	3
Hood control	electronic with buttons
LED lights	4
Filters	baffle stainless steel
Max extraction power	2x600 CFM

TECHNICAL SPECIFICATIONS

Electrical Requirements	120 V 60 Hz
Max Amp usage, power rating	6.6 A - 800 W
Certification	CSA
Warranty	2 years parts and labor

ACCESSORIES

Medium duct cover	code 901263
Full-width duct cover	code 901265
Kit baffle filters	code 901365
Recirculation kit	code 901394
Air Bracket	code 901264

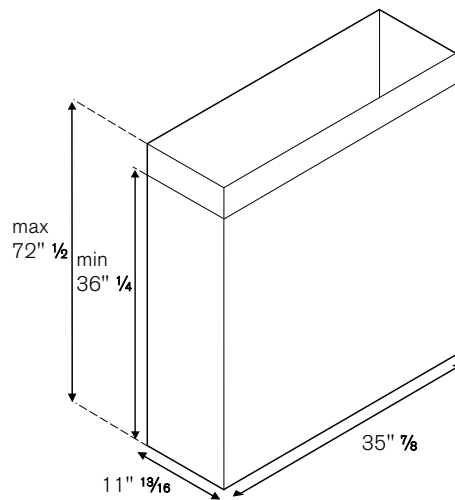
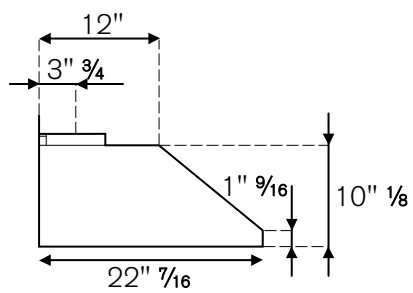
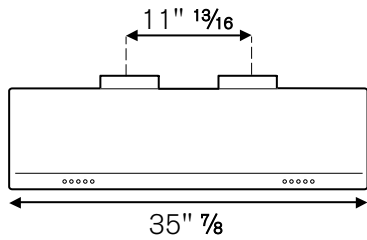
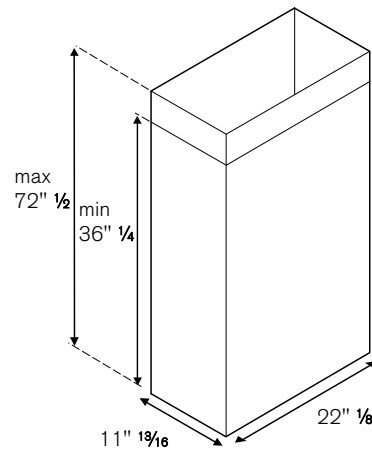
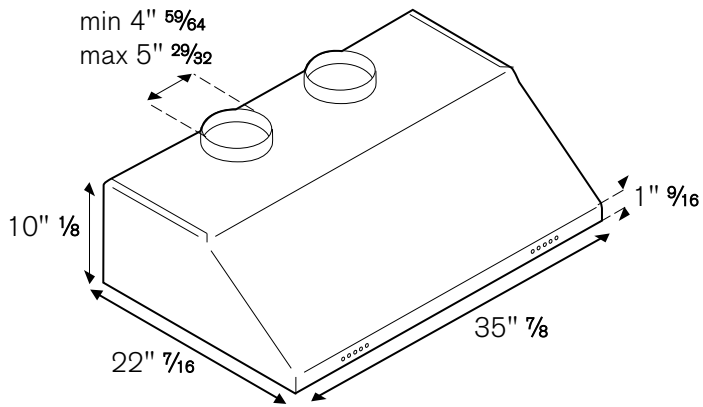
All KU hoods can be installed under 12" deep wall cabinets or with the optional height-adjustable medium- and full-width duct covers.



TO COOK BEAUTIFULLY
WWW.BERTAZZONI.COM

INSTALLATION INSTRUCTIONS

KU36 PRO 2 X/14



Bertazzoni recommends to operate the appliance after it has been properly installed. Please refer to the installation manual for further details.

Disclaimer: while every effort has been made to insure the accuracy of the information contained in this brochure, Fratelli Bertazzoni reserves the right to change any part of the information at any time without notice.

Fratelli Bertazzoni, Bertazzoni and the winged wheel brand icon are registered trademarks of Bertazzoni Spa.