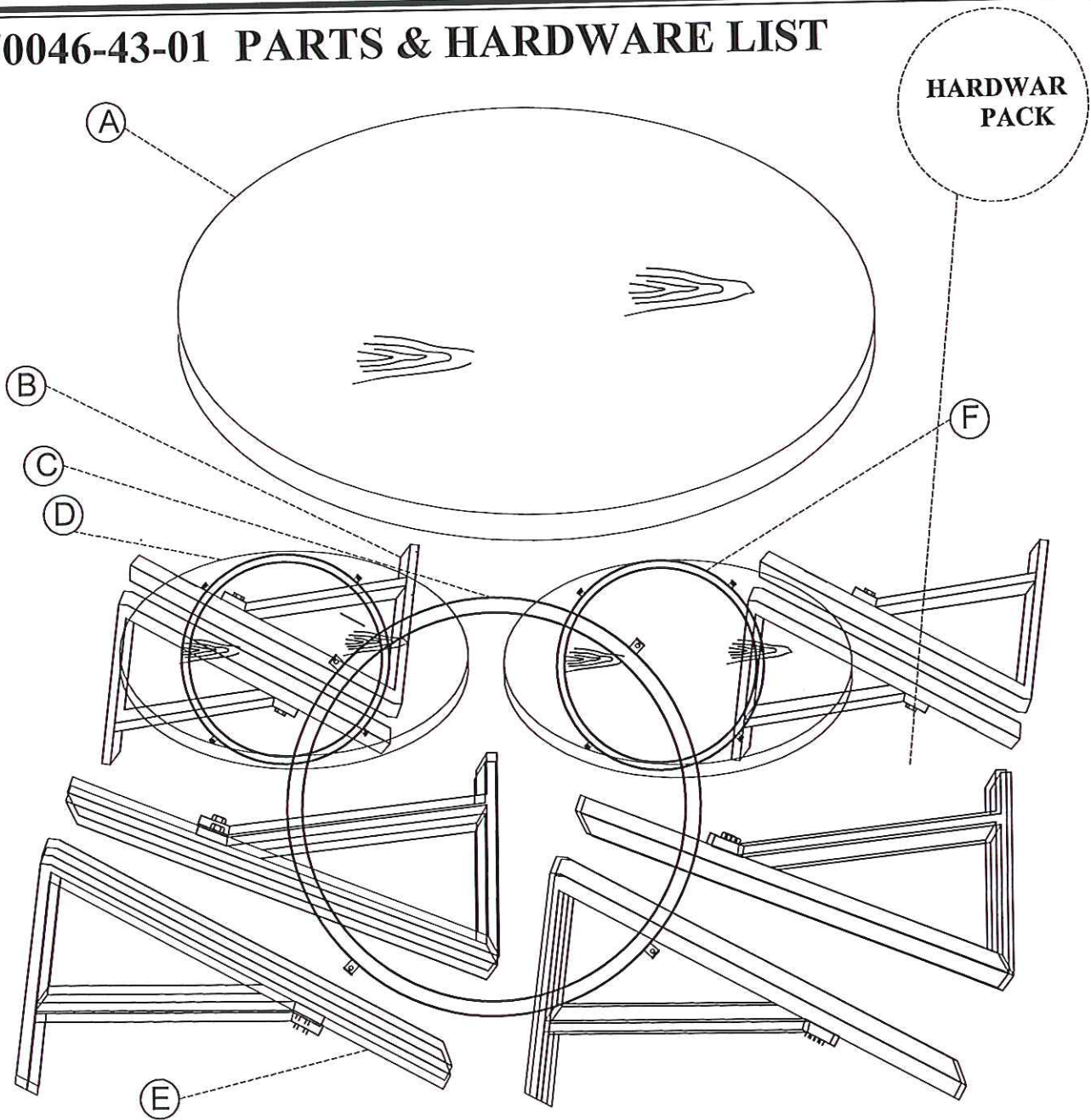




ASSEMBLY INSTRUCTIONS

ITEM # : 70046-43-01 3 PK OCCASIONAL TABLES ENZO

70046-43-01 PARTS & HARDWARE LIST

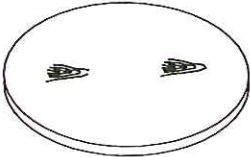
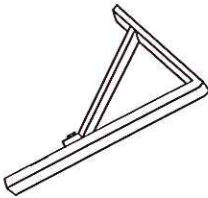
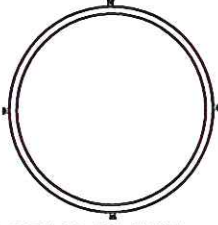

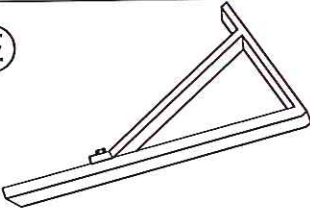








Customer Service Contact Information:
Toll Free Phone Number: 1-844-771-2727
Email: consumercare@lanefurniture.com
Website: www.lanefurniture.com

- NOTES :**
1. CHECK CAREFULLY FOR SMALL PARTS WHICH MAY COME LOOSE DURING SHIPMENT.
 2. REMOVE ALL COMPONENTS FROM THE PACK AND PLACE ON A CLEAN, SOFT SURFACE TO ASSEMBLE.
 3. UNITS SHOULD BE ASSEMBLED BY TWO OR MORE PEOPLE.
 4. DO NOT OVER - TIGHTEN SCREW/ BOLTS UNTIL ASSEMBLY IS COMPLETED.
 5. WITH USE, SCREW/ BOLT MAY BE COME LOOSE & MUST BE TIGHTENED PERIODICALLY.



70046-43-01 PARTS & HARDWARE LIST

<p>(A) </p> <p>COCKTAIL TABLE TOP x 1</p>	<p>(B) </p> <p>COCKTAIL TABLE LEGS x 4</p>	<p>(C) </p> <p>COCKTAIL TABLE BASE ROUND METAL x 1</p>
<p>(D) </p> <p>END TABLE TOP x 2</p>	<p>(E) </p> <p>END LEGS x 8</p>	<p>(F) </p> <p>END TABLE BASE ROUND METAL x 2</p>
<p>(G1) </p> <p>ALLEN BOLT x 12 (Ø1/4" *15 MM)</p>	<p>(G2) </p> <p>ALLEN BOLT x 24 (Ø1/4" *30 MM)</p>	<p>(G3) </p> <p>SPRING WASHER x 36 (Ø5/16")</p>
<p>(G4) </p> <p>FLAT WASHER x 36 (Ø5/16")</p>	<p>(G5) </p> <p>ALLEN KEY x1(M4)</p>	

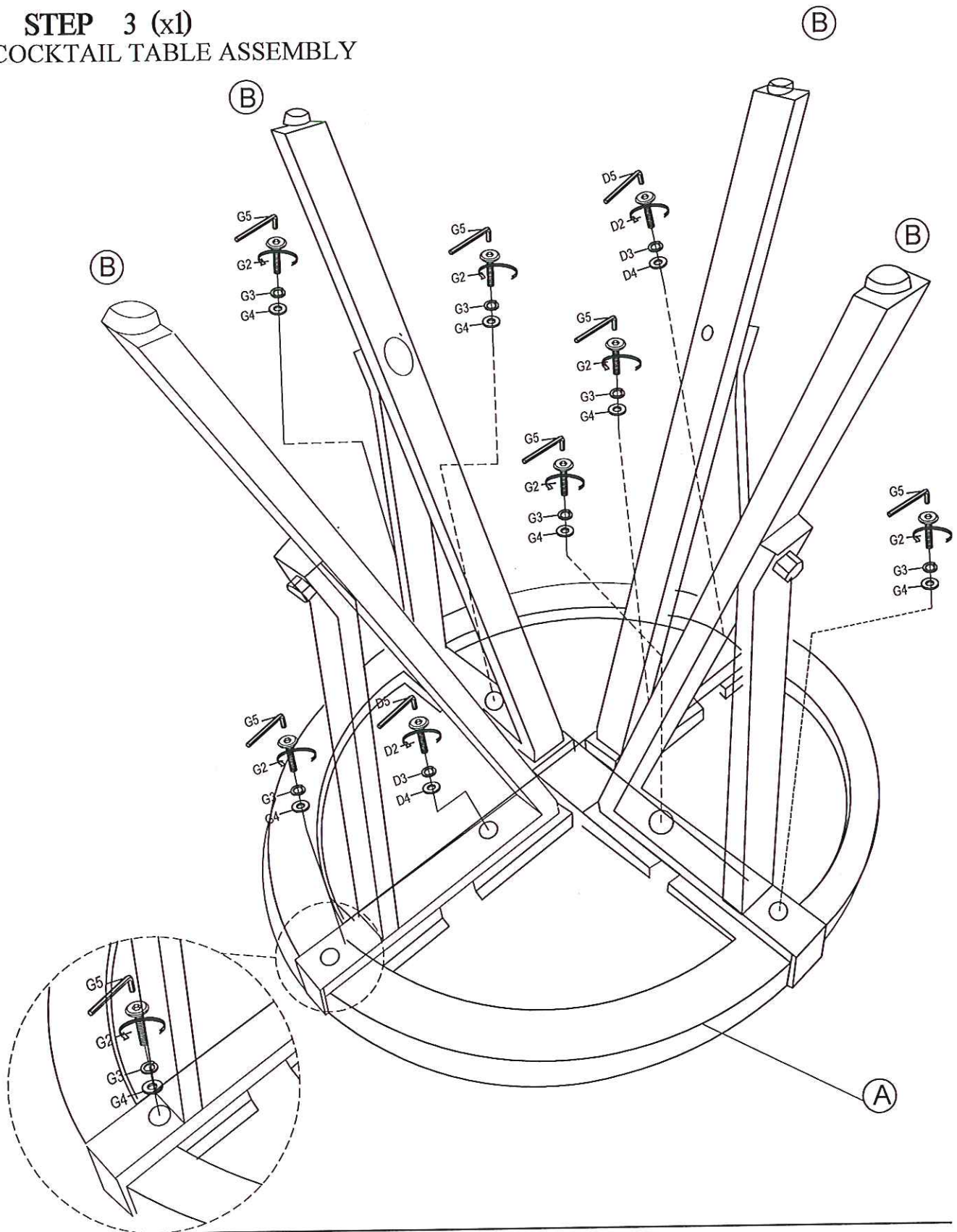
Customer Service Contact Information:
Toll Free Phone Number: 1-844-771-2727
Email: consumercare@lanefurniture.com
Website: www.lanefurniture.com

NOTES:

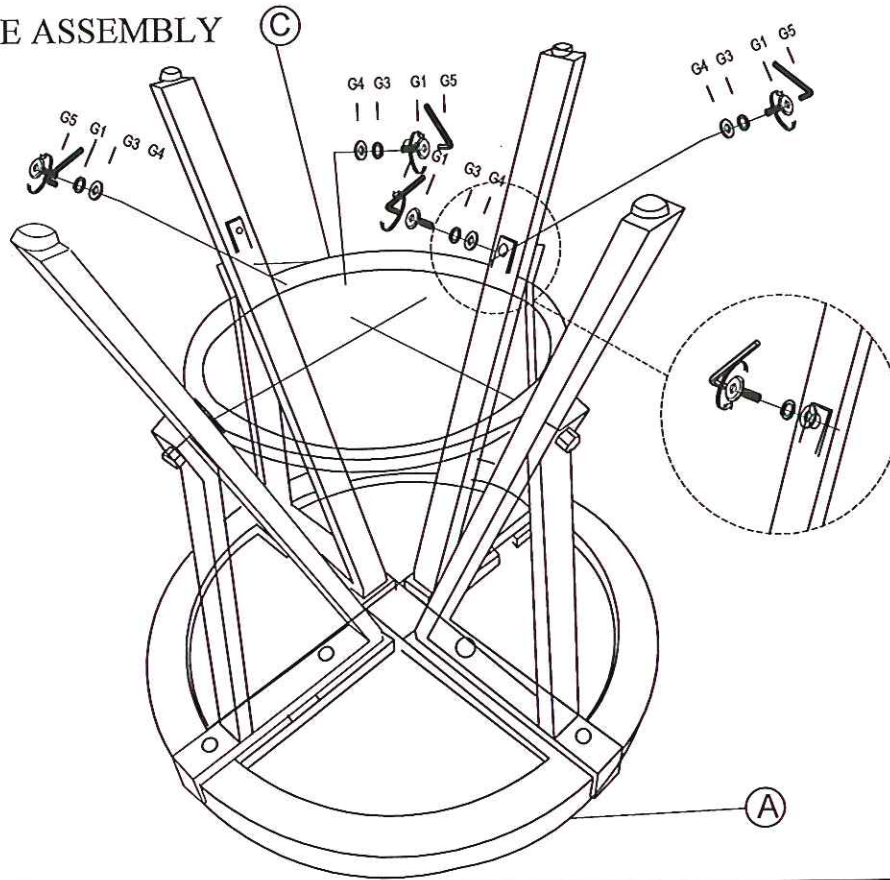
1. CHECK CAREFULLY FOR SMALL PARTS WHICH MAY COME LOOSE DURING SHIPMENT.
2. REMOVE ALL COMPONENTS FROM THE PACK AND PLACE ON A CLEAN, SOFT SURFACE TO ASSEMBLE.
3. UNITS SHOULD BE ASSEMBLED BY TWO OR MORE PEOPLE.
4. DO NOT OVER - TIGHTEN SCREW/ BOLTS UNTIL ASSEMBLY IS COMPLETED.
5. WITH USE, SCREW/ BOLT MAY BE COME LOOSE & MUST BE TIGHTENED PERIODICALLY.



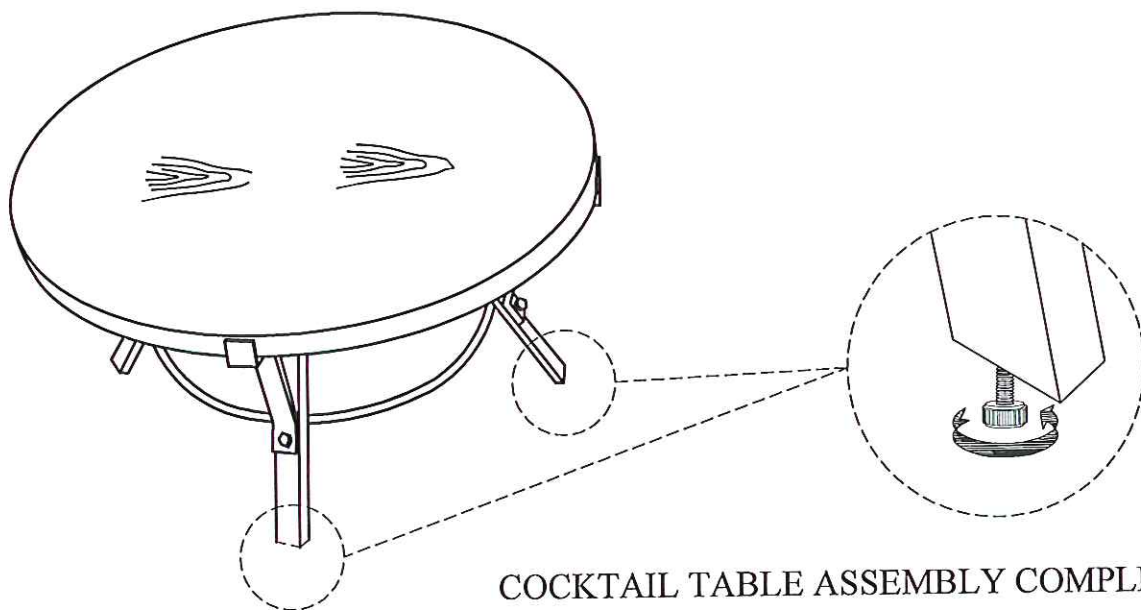
STEP 3 (x1)
COCKTAIL TABLE ASSEMBLY



STEP 2 (x1)
COCKTAIL TABLE ASSEMBLY

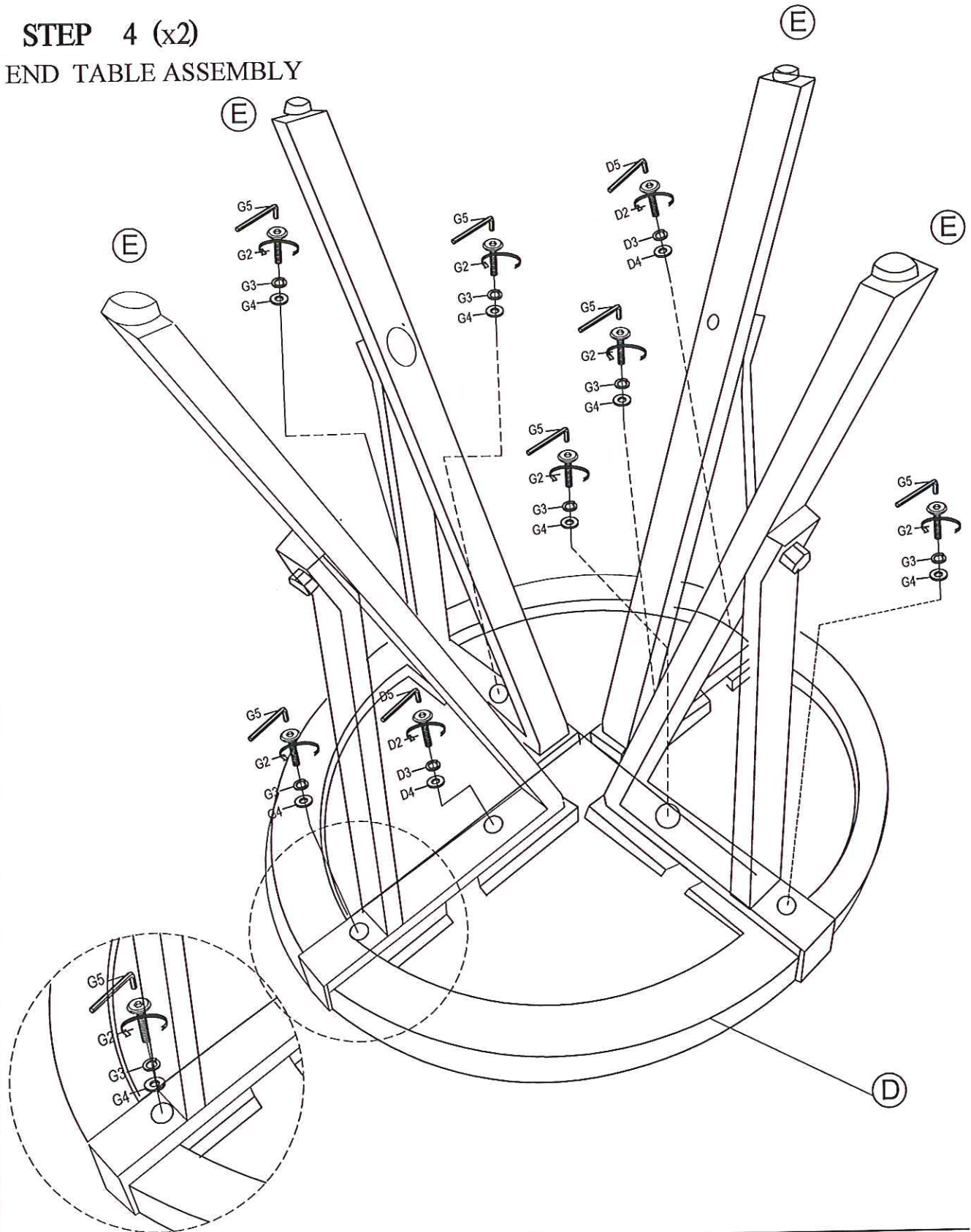


STEP 3 (x1)



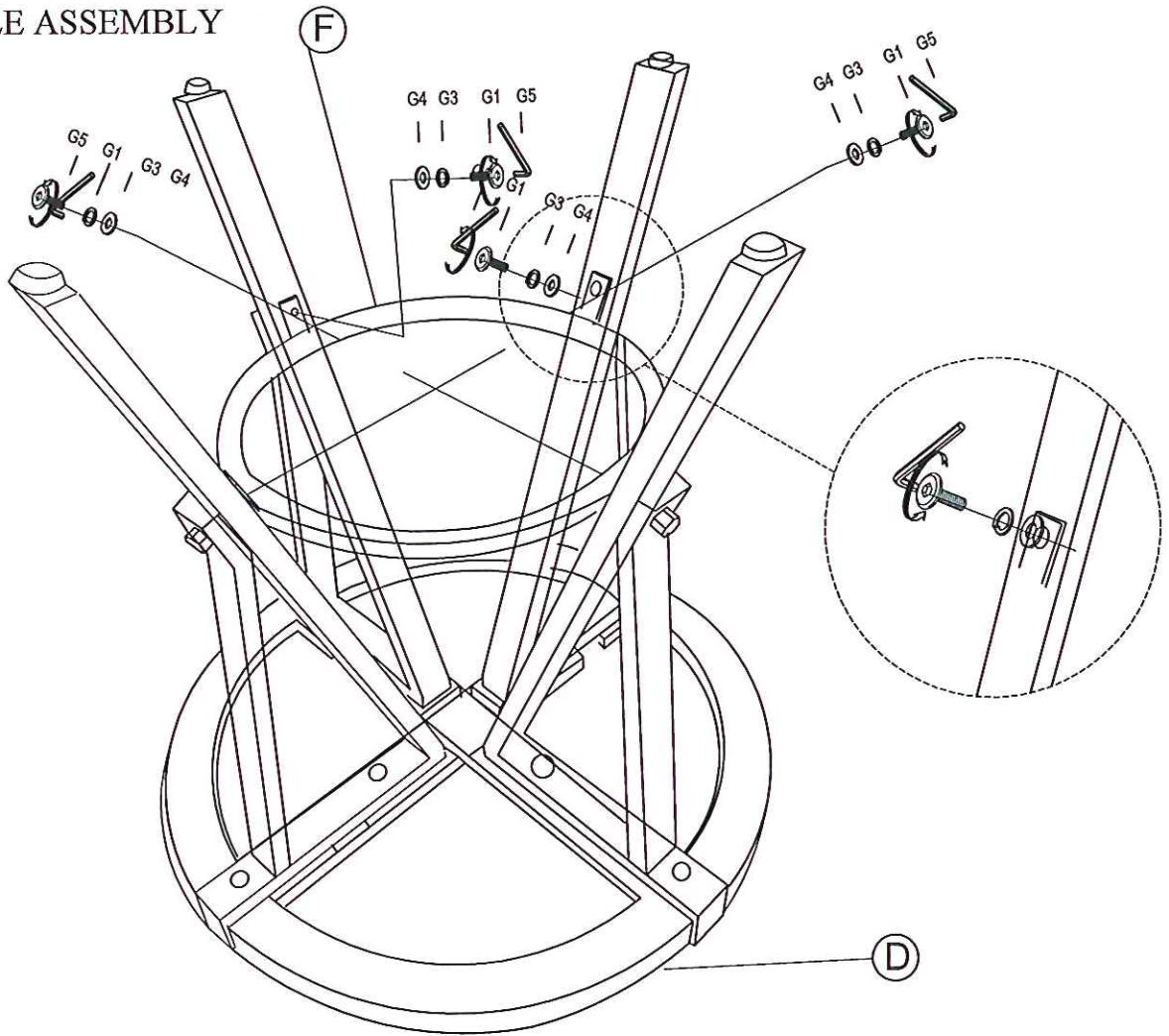
COCKTAIL TABLE ASSEMBLY COMPLETED

STEP 4 (x2)
END TABLE ASSEMBLY



STEP 5(x2)

END TABLE ASSEMBLY



STEP 6 (x1)

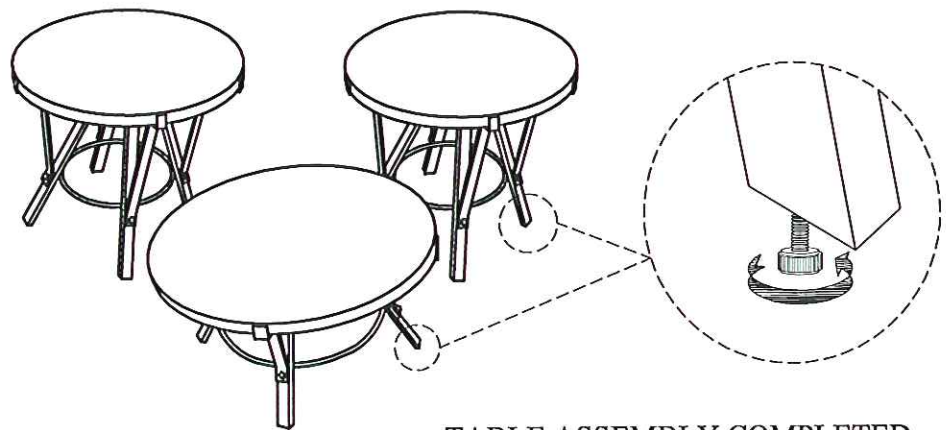


TABLE ASSEMBLY COMPLETED