

# One Year Limited Warranty



The manufacturer warrants this product against defects in materials and workmanship on functional parts, for a period of 1 year from the original date of purchase. Your sales receipt showing the date of purchase of the product is your proof of purchase. Keep it in a safe place for future reference. This warranty is subject to personal use only, commercial or rental applications will not be covered.

This product is made with the highest quality materials and is warranted to be free from defects in materials and workmanship at the time of purchase. This limited warranty applies to products manufactured or distributed by the manufacturer, are delivered in the continental United States or Canada and extends to the original purchaser, or gift recipient. This warranty becomes valid at the time of purchase and terminates either by the specified time frame listed above and/or owner transfer. Any refunds or monetary compensations must be claimed through the place of purchase (retailer), and not through the manufacturer. Any extended warranties (warranties that cover above and beyond this manufacturer warranty) that are sold through a retailer or third party, are not directly correlated with this products' limited warranty, and may be redirected to said retailer or third party for coverage.

This warranty extends through the manufacturer of the product, and covers functional parts only. Cosmetics are not covered, unless unequivocally determined it is a workmanship defect. Shipping damage should be addressed with the shipping company, retailer, or place of purchase, not the manufacturer unless the manufacturer was the direct shipper.

The manufacturer's sole obligation under this warranty shall be limited to furnishing the original purchaser replacement parts for units deemed repairable by the supplier's warranty department. The purchaser is responsible for insuring any parts shipped or returned, if desired. The purchaser is responsible to prepay any shipping charges (both ways) including, but not limited to taxes and duties. All exchanged parts and products replaced under this warranty will become the property of manufacturer. The manufacturer reserves the right to change manufacturers of replacement parts or products for use, in order to cover any existing warranty.

The purchaser may be asked to provide the supplier with proof of purchase documents (including the date of purchase) if requested. Any evidence of alteration, erasing, or forgery of proof of purchase documents will be just cause to VOID this limited warranty. Products, in which the serial number has been defaced or removed are not eligible for warranty coverage.

This warranty does not apply if the unit has been subject to negligence, fabrication, misuse, abuse, or repairs, alteration by non-manufacturer authorized personnel, inappropriate installations, or any case beyond the control of the manufacturer. Examples of warranty invalidation may also include, but are not limited to:


- Commercial applications
- Normal wear/tear/weathering
- Pet/consumer accidents

The manufacturer shall not be liable for any loss due to use (or misuse) of the product or other incidental or consequential costs, expense or damages without irrefutable foundations. Under no circumstances shall the manufacturer or any of its representatives be held liable for injury to any person or damage to any property, however arising. Any implied warranty shall have duration equal of the applicable warranty stated above. Specifications are subject to change without notice or obligation.

This limited warranty gives the original purchaser specific legal rights. Other rights may vary from state to state.

Scan QR Code to Visit Registration Page:  
[www.lifesmartproducts.com/warranty](http://www.lifesmartproducts.com/warranty)



 **Questions, problems, missing parts?** Contact technical support department at **657-341-0362, 9:00 a.m. - 5 p.m., PST, Monday - Friday** or visit us online at [www.lifesmartcomfort.com](http://www.lifesmartcomfort.com)  
Please have your model and serial number ready

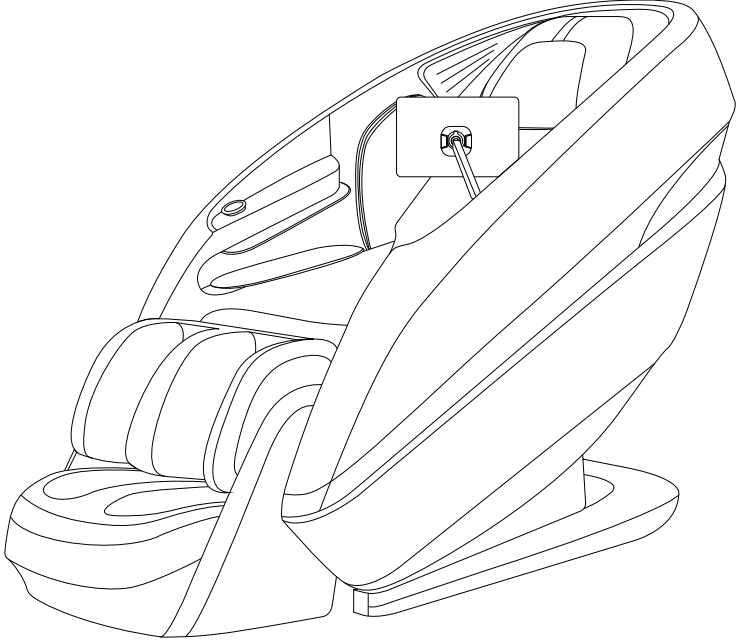


M\_R9775EBLK\_2024  
Printed in China



# Massage Chair

# R9775EBLK Manual



-User Manual-

Please read the owner's manual (operating manual) before use.

## Contents

Safety	1-6
Preparation Before Use	7-10
Mounting accessories for armrests	7
Decorative Side Panel Installation	8
Install Backrest Pad and Pillow Pad	10
Remote Controller Connection	10
Remote Control Holder Installation	11
Move the Chair	12
Site of Placement	12
Connect Power	13
Operating Instructions	14-20
Outer Structure	14
Controller	15
Bluetooth pairing	16
Shortcut Key	17
Automatic Massage Modes	18
Voice Commands	21
Troubleshoot	23
Cleaning and Maintenance	24
Specifications	25

- This product is intended for residential use only.
- Use this product only as described in this manual. Any other use is not recommended by the manufacturer and may cause fire, electric shock or injury to persons.
- Remember to keep the manual in an easily accessible place.

## Safety

### IMPORTANT SAFETY INSTRUCTIONS

This massage chair is intended for household only. When using an electrical appliance, basic precautions should always be followed, including the following:

Read all instructions before using this massage chair.

### DANGER

To reduce the risk of electric shock:

- 1) Always unplug this appliance from the electrical outlet immediately after using and before cleaning.
- 2) Never use pins or other metallic fasteners with this appliance.
- 3) Carefully examine the covering before each use. Discard the appliance if the covering shows any sign of deterioration, such as checking, blistering, or cracking.
- 4) Keep Dry - Do not operate in a wet or moist condition.

### WARNING

To reduce the risk of burns, fire, electric shock, or injury to persons:

- 1) An appliance should never be left unattended when plugged in. Unplug from outlet when not in use, and before putting on or taking off parts.
- 2) Do not operate under blanket or pillow. Excessive heating can occur and cause fire, electric shock, or injury to persons.
- 3) Close supervision is necessary when this appliance is used by, on, or near children, invalids, or disabled persons. Keep children away from extended foot support.
- 4) Use this appliance only for its intended use as described in this manual. Do not use attachments not recommended by the manufacturer.
- 5) Never operate this appliance if it has a damaged cord or plug, if it is not working properly, if it has been dropped or damaged, or dropped into water.  
Return the appliance to a service center for examination and repair.
- 6) Do not carry this appliance by supply cord or use cord as a handle.
- 7) Keep the cord away from heated surfaces.
- 8) Never operate the appliance with the air openings blocked. Keep the air openings free of lint, hair, and the like.
- 9) Never drop or insert any object into any opening.

---

## Safety

- 10) Do not use outdoors.
- 11) Do not operate where aerosol (spray) products are being used or where oxygen is being administered.
- 12) To disconnect, turn all controls to the off position, then remove plug from outlet.
- 13) Temperatures sufficiently high to cause burns may occur regardless of the control setting. Do not use on an infant or invalid or on a sleeping or unconscious person. Do not use on insensitive skin or on a person with poor blood circulation. Check the skin in contact with the heated area of the appliance frequently to reduce the risk of blistering.
- 14) Do Not Crush - Avoid sharp folds.
- 15) Do not use massager in close proximity to loose clothing or jewelry.
- 16) Keep long hair away from massager while in use.
- 17) Connect this appliance to a properly grounded outlet only. See Grounding Instructions.
- 18) The apparatus shall not be exposed to dripping or splashing and that no objects filled with liquids, such as vases, shall be placed on the apparatus.
- 19) An apparatus with CLASS I construction shall be connected to a MAINS socket outlet with a protective earthing connection
- 20) The appliance coupler is used as the disconnect device, the disconnect device shall remain readily operable.
- 21) This appliance is not intended for use by persons (including children) with reduced physical, sensory or mental capabilities, or lack of experience and knowledge, unless they have been given supervision or instruction concerning use of the appliance by a person responsible for their safety.
- 22) If it is not in use for a long time or after use, please turn off the power and pull out the power plug.
- 23) Do not damage, break, over-bend, compress, tighten, wind, rotate or knot the power cord.

---

## Safety

### SAVE THESE INSTRUCTIONS

**This massage chair is intended for household use only.**

#### ● Usage Environment

- Do not use the massage chair in an excessively humid or dusty environment as this may result in malfunction or electric shock.
- Do not use the massage chair in a room with a temperature of 104°F or higher.
- Do not expose the massage chair to heaters, stoves or direct sunlight.
- Place and use the massage chair on an even, non-slip floor.
- The massage chair is designed for home use and not for commercial purposes.

#### **Caution**

- The massage chair is to be used indoors only.
- If you use the massage chair in a cold room, do not increase the room temperature abruptly. It is recommended that you increase the temperature gradually to a normal level.
- If the massage chair is stored in a cold place and is being brought into a warm environment, it is advisable to wait one hour before use. This is because its performance may not be at optimum level, as there may be water droplets on the mechanical parts due to condensation. Using the massage chair under such conditions may result in malfunction.

### IMPORTANT SAFETY INSTRUCTIONS

#### ● Safety Precautions

- To ensure safe and correct use of the massage chair, do not operate it without reading this operation manual carefully.
- Do not use the massage chair when the upholstery or seat is removed. This may cause injury or malfunction.
- Do not use the massage chair in combination with other therapeutic equipment or electric blanket, etc., as this may result in ineffectiveness or injury.
- Do not use the massage chair an hour before or after eating as this may have adverse effects on the user.
- Do not allow children or pets to play around the massage chair, e.g., behind the backrest, under the seat or leg rest of the massage chair. This may result in injury.

---

## Safety

- Do not rest or place heavy objects on the armrests, leg rest or backrest as this may result in malfunction or injury.
- Do not use the massage chair when your body is wet.
- Do not operate the massage chair with wet hands.  
It is not recommended to use the massage for more than 15 minutes.
- Do not perform continuous massage on the same spot of your body for more than 5 minutes at a time as this may result in excessive stimulation and may have adverse effects.
- Do not insert your hand or foot along the paths of the massage rollers during use as this may cause injury.
- Stop operation immediately if you experience any discomfort.
- This product is not intended for self-treatment of conditions that should be managed by a qualified health care provider.
- People on medication or with medical conditions, please consult your doctor before use.
- Please do not use the product if you are not feeling well.
- Remove all scarves, neckties, necklaces and jewelry before using the massager.

### ● People with Medical Conditions

Consult your doctor before use if you:

- are under medical rest as ordered by a doctor.
- have spinal disorders, an abnormal spinal condition or have suffered a spinal injury.
- have back problems.
- have diabetes, osteoporosis or sensory impairment.
- have joint dysfunction.
- have a pacemaker or other electronic medical devices.
- may be pregnant.
- have phlebitis or thrombosis.
- have an increased risk for blood clots.
- had recent surgery.
- have surgical pins, screws, or anything mechanical implanted in your body.

---

## Safety

### ● Instances When the massage chair Should Not Be Used

In the following events, please switch off the main power switch immediately and disconnect the power cord from the electrical outlet:

- If water is accidentally spilled onto the massage chair. This may result in electric shock or malfunction.
- If the fabric of the backrest is torn and the internal components are exposed.
- If pain or discomfort is felt during massage, stop operation immediately and consult your doctor.
- If you detect any malfunction or any other abnormal condition during operation.
- If there is a power failure. Injury may occur when power is restored unexpectedly.
- If there is lightning.

### ● Assembly and Repair of the massage chair

- Do not disassemble the backrest cover of the massage chair. Touching the internal components may result in malfunction or electric shock.
- The massage chair must only be professionally serviced or repaired. Do not attempt to disassemble or repair the massage chair yourself.

### ● Things to Note About the Power Plug and Cord

- Check that the Alternating Current (AC) voltage corresponds with the specifications indicated for the massage chair.
- Do not connect or disconnect the power plug from the electrical outlet with wet hands. This may result in malfunction or electric shock.
- When disconnecting the power plug, pull it by holding the plug, not the cord.
- Although operation will be stopped automatically by the Auto-Timer function, always remember to switch off the main power switch after use.
- Do not place the power cord under the massage chair or any other heavy objects.
- Do not wind the power cord around the massage chair as this may damage the cord and result in a fire or electric shock.
- Do not operate the massage chair with a damaged cord or extension cord.
- Do not use the massage chair if the electrical outlet is loose.
- If the power cord is damaged, it should be replaced by a qualified technician.

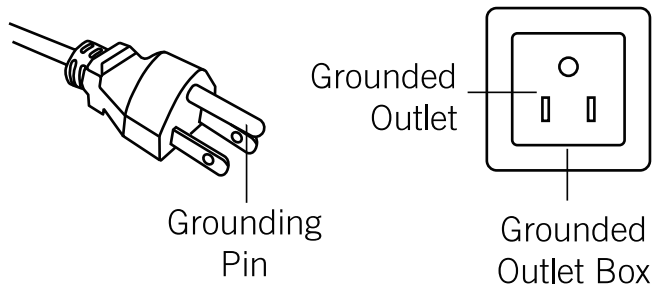
## Safety

### ● Grounding Instructions

This product must be grounded. If it should malfunction or breakdown, grounding provides a path of least resistance for electric current to reduce the risk of electric shock. This product is equipped with a cord having an equipment-grounding conductor and a grounding plug. The plug must be plugged into an appropriate outlet that is properly installed and grounded in accordance with all local codes and ordinances.

**DANGER** - Improper connection of the equipment-grounding conductor can result in a risk of electric shock. Check with a qualified electrician or serviceman if you are in doubt as to whether the product is properly grounded. Do not modify the plug provided with the product - if it will not fit the outlet, have a proper outlet installed by a qualified electrician.

This product is for use on a nominal 120V~ circuit and has a grounding plug that looks like the plug illustrated in sketch A as following Illustration. Make sure that the product is connected to an outlet having the same configuration as the plug. No adapter should be used with this product.



## Preparation Before Use

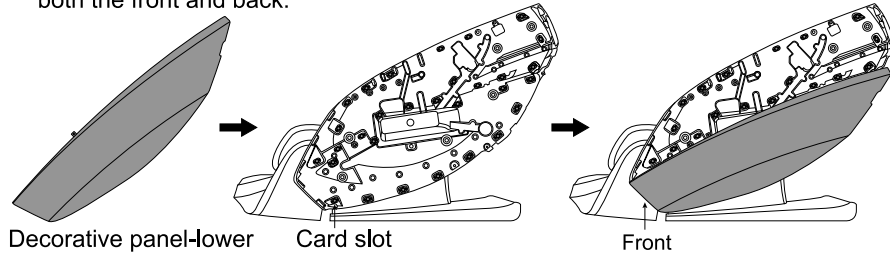
### Mounting accessories for armrests

List			
<p>Armrest decorative parts-upper * 2</p>		<p>Armrest decorative parts-lower * 2</p>	
<p>Back cover-top * 1</p>		<p>Back cover-bottom * 1</p>	
<p>Pointed screw * 6</p>	<p>Flat head screw * 6</p>	<p>Gasket * 6</p>	<p>Number 4 Number 5 Allen Wrench * 2</p>

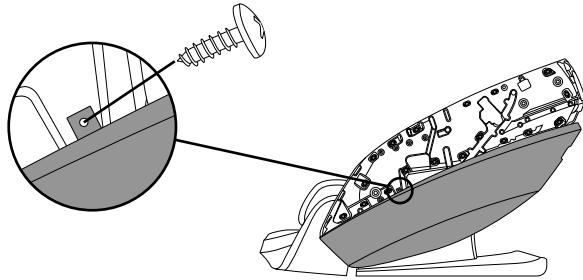
## Preparation Before Use

### Decorative Side Panel Installation

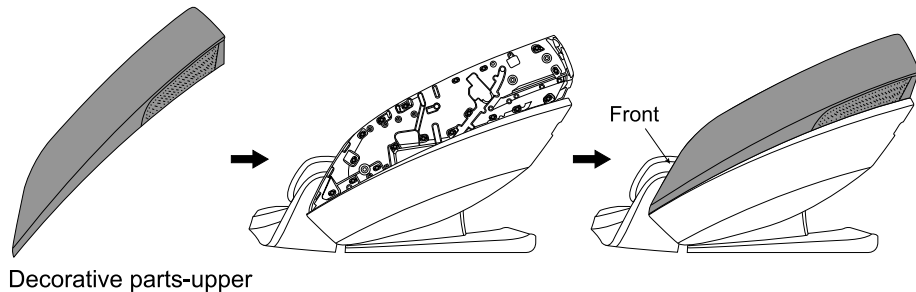
1. Attach the decorative side panel to the lower end of the massage chair armrest, aligning the buckle with the card slot.
2. Secure the buckle into the armrest's card slot by pressing it firmly into place from both the front and back.



3. Fix the armrest decoration with tip screws.



4. Manually snap the buckles into the decoration slots from front to back.
5. Attach the decorative parts to the upper of the massage chair armrest and align the buckles with the slots.

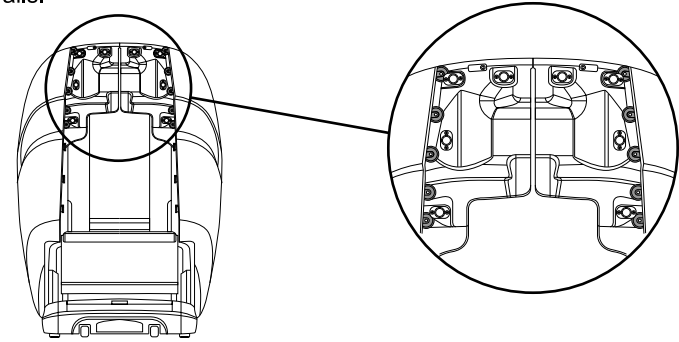


**Note: To install the 2 sides handrails and then continue the following steps. The installation steps of the 2 sides handrails are the same.**

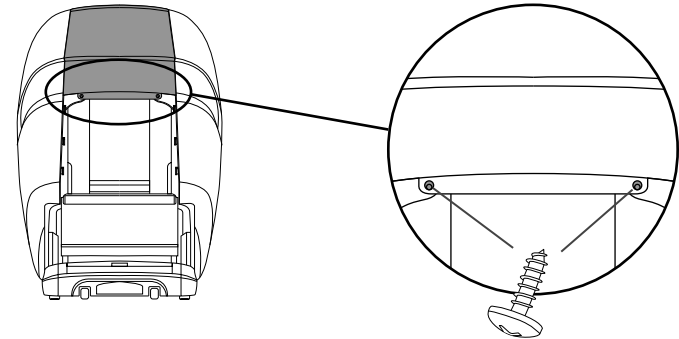
08

## Preparation Before Use

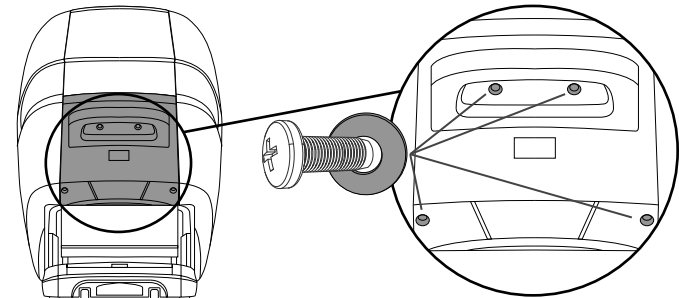
6. To check whether the back position is aligned after the installation of the both sides handrails.



7. Attach the back cover-top to the top of the back of the massage chair, and align the buckle to the slot.
8. Put the buckle into the slot from top to bottom by hand, and then tighten the buckle with the pointed screw



9. Put the back cover-bottom to the right place and align with the four screw holes, then use the flat head screw sleeve top gasket and tighten.



09

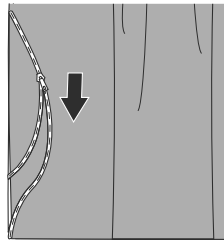
## Preparation Before Use

### Install Backrest Pad and Pillow Pad

- Attach the upper backrest pad to backrest with zipper.
- Attach the pillow pad to backrest with velcro.

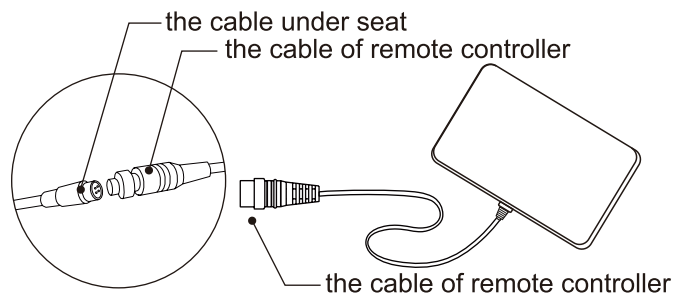


- Attach the left side of backrest pad to backrest with zipper, same as the other side.



### Remote Controller Connection

- Connect the cable of remote controller with the cable under seat.

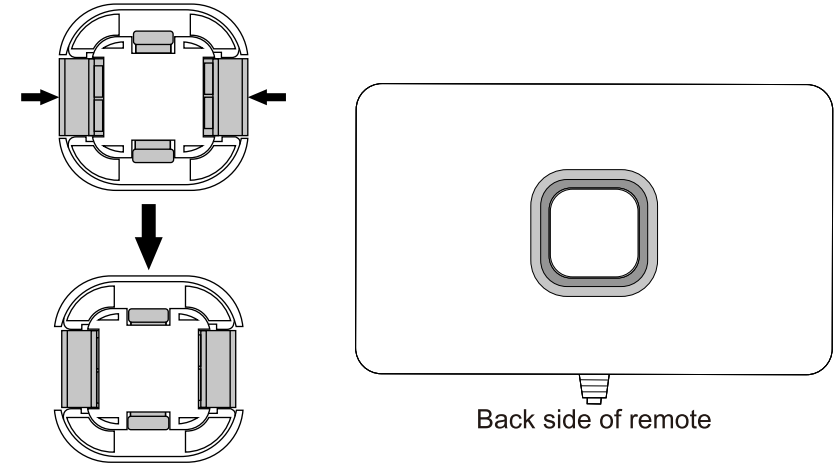


10

## Preparation Before Use

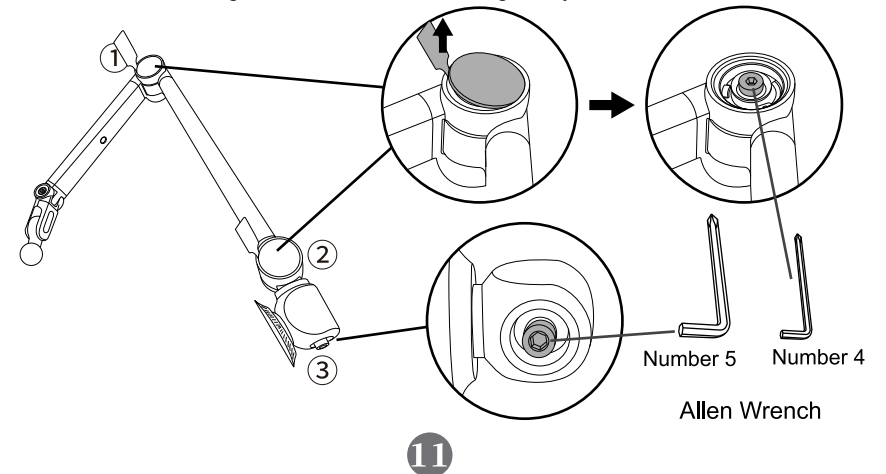
### Remote Control Holder Installation

- Hold both ends of the fixing bracket, clamp the fixing ring on the back of the controller into the fixing bracket, and loosen the hand of the fixing bracket to complete the hand control fixation.



### Remote Control Bracket Arm Installation

- If the bracket adjustment damping is too loose, follow the following steps.
  1. Pull up the transparent prompt mark on the edge of the cover, and remove the cover, tighten the hexagon wrench no. 4 properly, and then put the cover back (Figure: 1 and 2).
  2. Use the hexagon wrench no. 5 to tighten it properly (Figure: 3).Note: Please do not over tighten the screw, screw too tight may not break the bracket

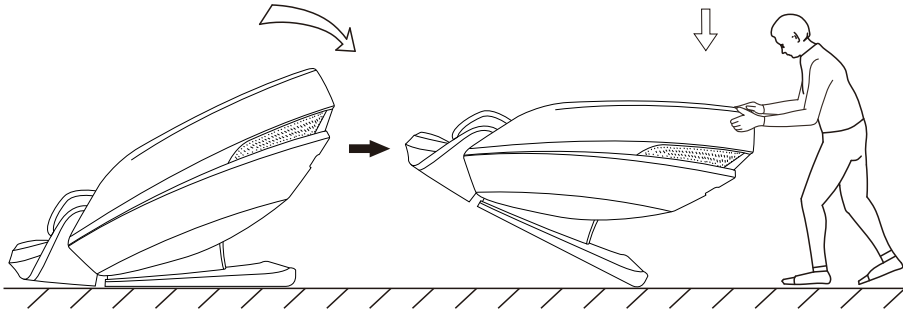


11

## Preparation Before Use

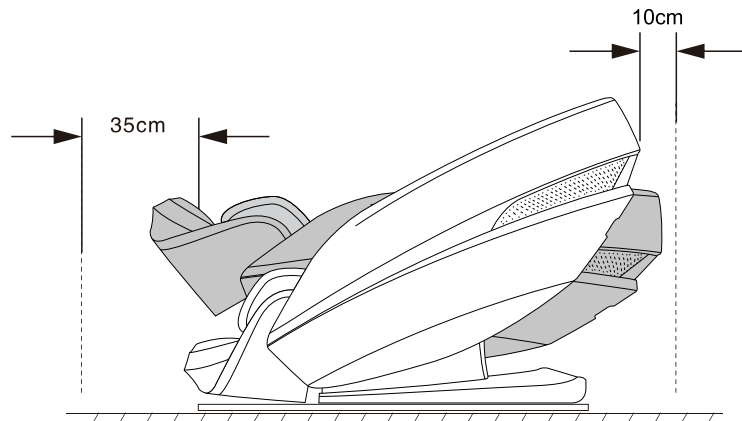
### Moving the Chair

- Turn off the main power and unplug the chair from the electrical outlet.
- Tilt the chair backward as shown in the illustration and use the wheels to move it to the desired location.
- Place a protective mat on the floor to prevent any potential damage while moving the massage chair.



### Site of Placement

Ensure there is at least 10 cm of clearance behind the massage chair and more than 35 cm of space in front to allow the backrest to recline smoothly without any obstructions during operation.

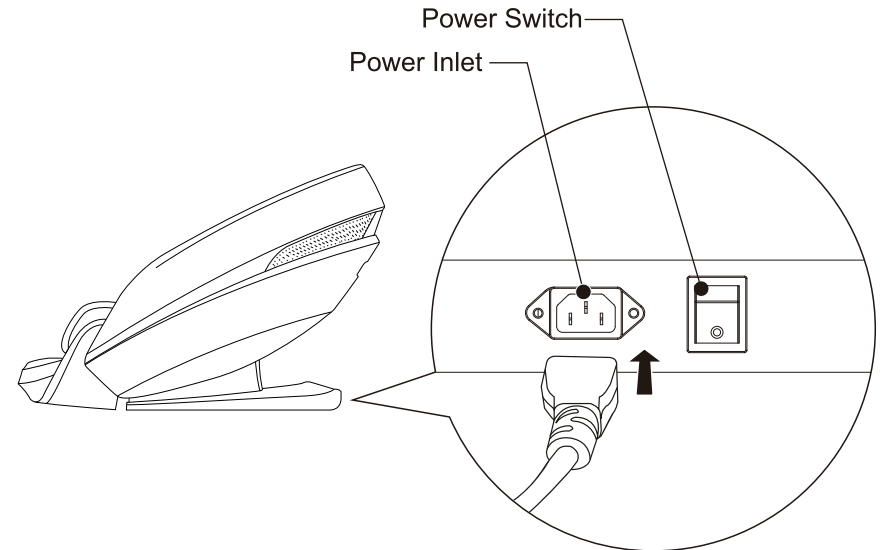


12

## Operating Instructions

### Connect power

- Plug the power cord into power inlet, turn on the power switch.

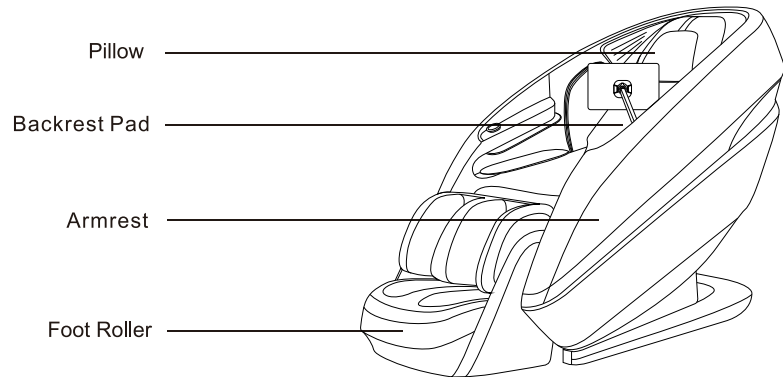
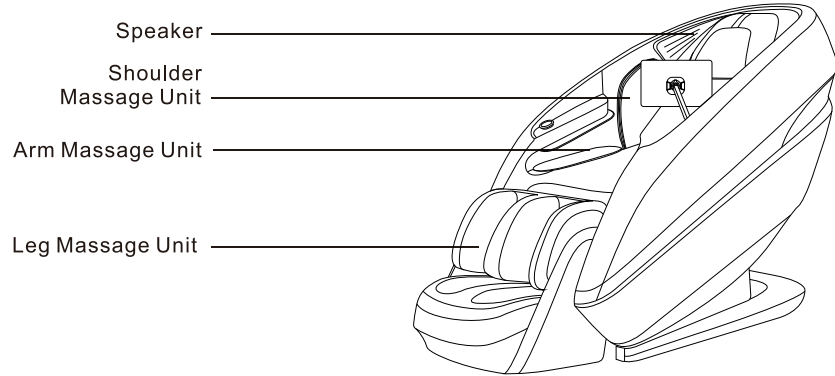


13



## Operating Instructions

### Outer Structure

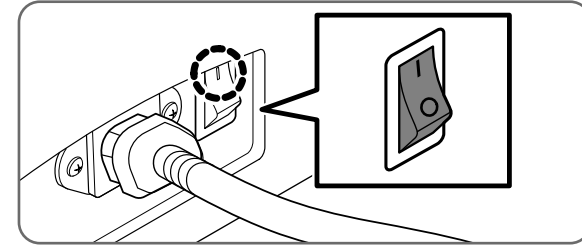


## Operating Instructions

### Controller

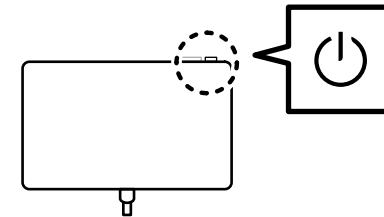
(The specific display is subject to the actual product.)

- Insert the power cord into the chair and wall outlet.
- Turn the power switch to "I".

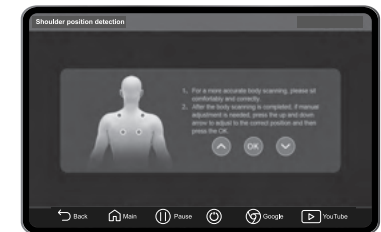
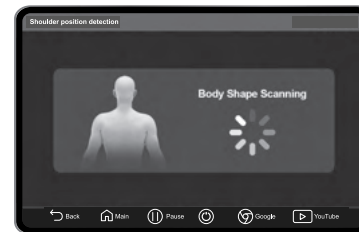


### Shoulder & Neck Testing

- Press the power button on the top of the remote.



- After powering on, select the massage program and initiate body shape detection. Please relax and lie down comfortably.
- If the body shape detection is not in the optimal position, adjust by ( ↑ ) ( ↓ ) then select "Complete" to start the massage.



## Operating Instructions

### Function Introduction

- You can select the desired functions based on your personal needs.



**Auto Program:** Enter the automatic program interface to choose from a variety of massage programs.

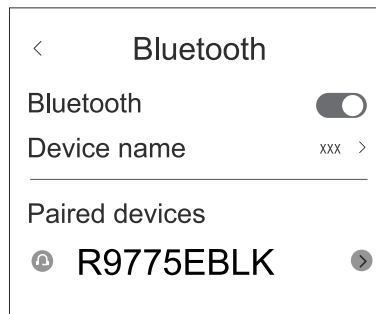
**Manual Program:** Enter the manual program interface to choose massage techniques, massage areas.

**Airbag Massage:** Enter the airbag massage interface to select airbag massage areas and zero gravity levels.

**Setting:** Enter the setting interface to configure features such as heating, language, and Bluetooth.

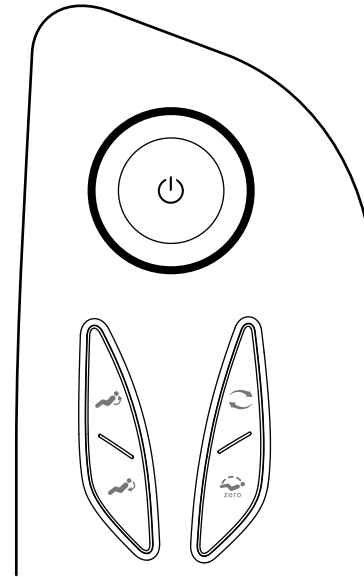
### Bluetooth pairing

On your phone Bluetooth list, choose the model “R9775EBLK” to do the pairing.



## Operating Instructions

### Shortcut Key



Function	Button	Instruction
Power		Press this button to activate or deactivate the massage chair.
Rotation		Rotate clockwise to increase stage, and counterclockwise to decrease stages. The stages are divided into 1-6 stage.
Auto		Press this button to switch between multiple automatic program functions. The specific display is subject to the actual product.
Back Up		Long press this button to raise the backrest and lower the leg rest. Release it to lock the current angle.
Back Down		Long press this button to lower the backrest and raise the leg rest. Release it to lock the current angle.
Zero-G		Press repeatedly this button to activate one of the three zerogravity modes.

## Operating Instructions

### Automatic Massage Modes

Mode	Description	Intensity
Primary	A quick kneading and tapping massage helps relax tense muscles throughout the body and promotes blood circulation.	Strong
Relaxing	Relieve fatigue and soreness after daily work or housework, help relieve muscle stiffness, relax the body and mind, and restore body vitality.	Gentle
Deep Shiatsu	A full-body massage with an emphasis on the shoulders and neck, incorporating deep shiatsu and rolling techniques, helps alleviate neck and shoulder pain caused by prolonged sitting, especially for office workers.	Gentle
Refreshing	An energetic massage rhythm targets the shoulders, neck, legs, and hips, helping to activate body cells, effectively relieve physical fatigue, and restore full vitality.	Gentle
Wake Up	Start your morning with an energizing, soothing massage that gently relaxes your entire body. This helps open your body's many systems and promotes healthy blood flow. A calming massage provides a gradual transition for your body, effectively improving your mindset and preparing you to embrace the new day with a refreshed and positive state.	Soft
Midday	Enjoy a massage during your lunch break to release tension and rejuvenate. The zero-gravity swing function enhances relaxation, relieves muscle tension, reduces fatigue, and restores vitality. Feel recharged and ready to tackle the afternoon with full energy.	Soft
Neck & Shoulder	Relieve stress in the shoulders and neck using kneading, rolling, and other traditional Chinese massage techniques. This helps ease stiffness and discomfort, making it ideal for those suffering from neck and shoulder pain.	Gentle
Waist & Back	Focus on the waist and back with soothing kneading, rolling, and tapping techniques to alleviate stiffness. The added heating treatment further relieves muscle soreness, making it ideal for those experiencing discomfort in the waist and back.	Soft

## Operating Instructions

Mode	Description	Intensity
Waist & Hips	A focused massage on the waist, hips, and glutes enhances blood circulation and supports the body's natural detoxification process.	Soft
Foot Care	Reduce pressure on your feet, with different levels of kneading massage. Combined with soothing air pressure massage helping to promote blood circulation and pain relief.	Gentle
Spine Care	Following the natural curve of the spine, this massage targets acupuncture points using Shiatsu, rolling, kneading, and other techniques. It helps clear the meridians and improve blood circulation. Recommended for individuals with poor posture, prolonged desk work, manual labor, or spinal discomfort.	Gentle
Calf Care	Relieve calf tension with soothing air pressure massage and relax feet with roller kneading and rolling techniques. This promotes metabolism, alleviates fatigue, and enhances sleep quality. Best for individuals with sore legs and feet.	Gentle
Soft	A massage program specially designed for the elderly, featuring soft and gentle massage rollers, airbags, and foot rollers. It focuses on soothing and clearing the meridians to help alleviate body aches and promote overall relaxation.	Soft
Lumbar Care	Targeted massage for the lumbar region and buttocks, using moderate kneading and tapping techniques. This helps alleviate back pain caused by prolonged sitting, relax tight muscles, reduce pressure on the lumbar and cervical vertebrae, and promote overall relaxation.	Gentle
Gentle Care	Focuses on the waist, back, calves, and soles of the feet. Helps relax joint spaces, clear your body's organ systems, and alleviate back pain. Ideal for individuals who sit or stand for extended periods.	Gentle
Sport Care	Specially designed for athletes and fitness enthusiasts, this program provides a deep stretch to reduce muscle soreness and accelerate blood flow in the muscles, aiding in faster recovery and improved performance.	Strong

## Operating Instructions

Mode	Description	Intensity
Nurturing	A program featuring soothing heating treatments to warm and relax the body. Gentle kneading, slow tapping, and traditional Chinese massage techniques further alleviate body fatigue and promote relaxation.	Gentle
Deep Sleep	The cradle-type swing function, combined with soft roller and gentle air pressure massage, promotes relaxation and helps you fall asleep more easily.	Soft
Deep Stretch	Utilizing the coordinated movement of back rollers and full-body airbags, this program simulates traditional Thai stretching massage techniques. It maximizes body stretching to relax the mind, improve joint flexibility, and release muscle tension.	Strong
Invigorating	A program combining the coordinated action of rollers and airbags to provide a massage that transitions from gentle to deep. It targets the neck, shoulders, waist, back, and feet to effectively relieve full-body fatigue and promote relaxation.	Strong
Yoga	Combining back rollers and full-body airbags, this program incorporates yoga-inspired stretching movements to target the legs, waist, and arms. It helps relieve body tension, relax joint spaces, and promote flexibility and relaxation.	Soft
Tranquility	Retreat to your private sanctuary and embrace a moment of tranquility. Under zero gravity, experience a full-body soothing massage that calms the restless mind, clears agitation, and fosters a focused mindset to better pursue your life goals.	Gentle
Spa	Enjoy a spa-like experience at home with a full-body airbag and foot roller massage, complemented by a soothing heating treatment. This helps relieve limb tension and muscle soreness, promoting relaxation and rejuvenation.	Soft
Traditional	Inspired by traditional Chinese medicine acupoint massage, this program helps de-stress the entire body, restore balance, and eliminate fatigue. Designed for individuals experiencing physical fatigue.	Gentle

## Voice Commands

When the massage chair is turned on or in standby mode, say "Hello LIFESMART" to enable the voice control function.

Use the following commands to activate the AI voice control feature.

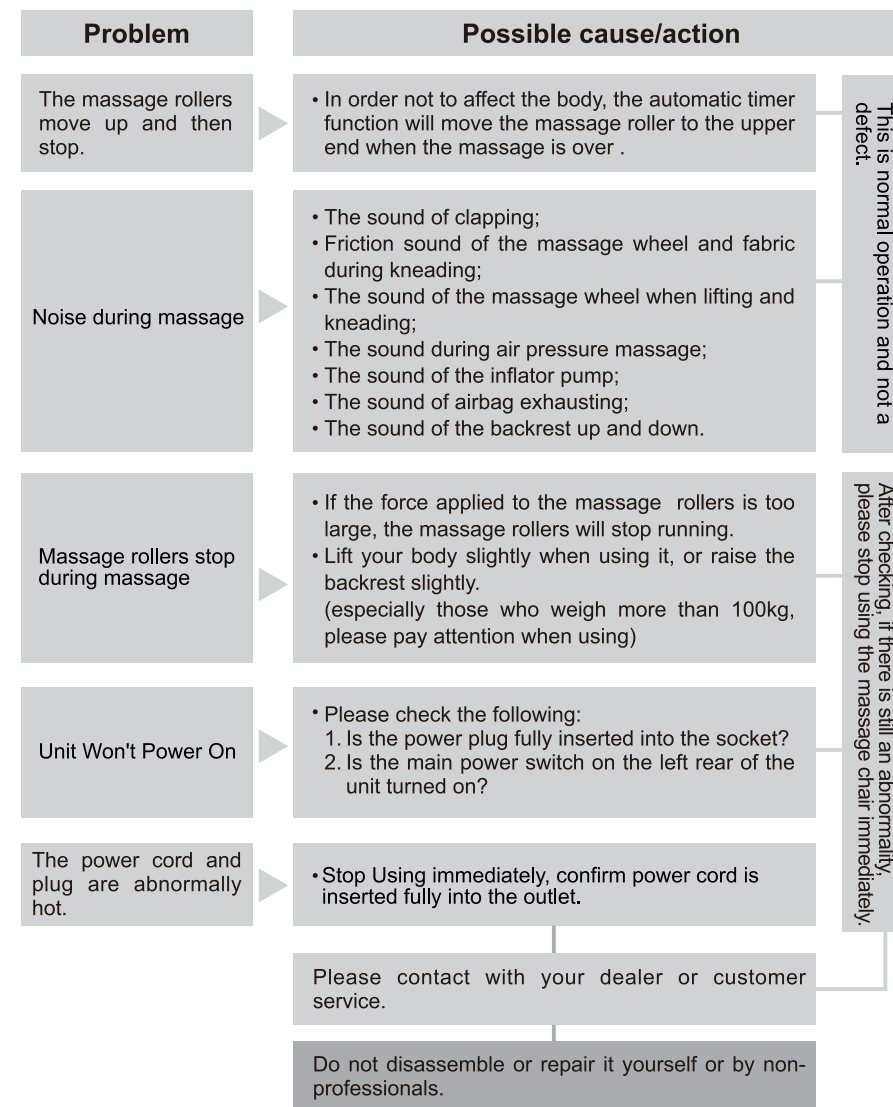
Voice Prompt	Response by Chair
Hello LIFESMART	Hello
Power on	Please select your favorite program to start the massage. During auto-body scanning, please relax and lean your head on the pillow.
Power off	During shutdown, please leave or restart the massage chair after the chair is completely reset. Thank you and hope you enjoy the massage.
Pause massage	Massage paused
Continue to massage	Massage resumed
Turn on Bluetooth	OK, Bluetooth on
Turn off Bluetooth	OK, Bluetooth off
Zero gravity	OK, Zero Gravity Set
Turn on foot roller	OK, Foot roller on
Turn off foot roller	OK, Foot roller off
Start airbag massage	OK, Start airbag massage
Stop airbag massage	OK, Stop airbag massage
Increase air intensity	OK, increasing
Decrease air intensity	OK, decreasing
Volume up	OK, volume increase
Volume down	OK, volume decrease
Increase strength	Increase back roller intensity
Decrease strength	Decrease back roller intensity
Turn on Heating	OK, Heating on
Turn off Heating	OK, Heating off
Primary massage	Starting Primary Auto Massage Mode
Relaxing massage	Starting Relaxing Auto Massage Mode
Deep Shiatsu massage	Starting Deep Shiatsu Auto Massage Mode
Refreshing massage	Starting Refreshing Auto Massage Mode
Wake Up massage	Starting Wake Up Auto Massage Mode
Midday massage	Starting Midday Auto Massage Mode
Neck & Shoulder massage	Starting Neck & Shoulder Auto Massage Mode
Waist & Back massage	Starting Waist & Back Auto Massage Mode

## Voice Commands

Command Words	Response by Chair
Waist & Hips massage	Starting Waist & Hips Auto Massage Mode
Foot Care massage	Starting Foot Care Auto Massage Mode
Spine Care massage	Starting Spine Care Auto Massage Mode
Calf Care massage	Starting Calf Care Auto Massage Mode
Soft massage	Starting Soft Auto Massage Mode
Lumbar Care massage	Starting Lumbar Care Auto Massage Mode
Gentle Care massage	Starting Gentle Care Auto Massage Mode
Sport Care massage	Starting Sport Care Auto Massage Mode
Nurturing massage	Starting Nurturing Auto Massage Mode
Deep Sleep massage	Starting Deep Sleep Auto Massage Mode
Deep Stretch massage	Starting Deep Stretch Auto Massage Mode
Invigorating massage	Starting Invigorating Auto Massage Mode
Yoga massage	Starting Yoga Auto Auto Massage Mode
Tranquility massage	Starting Tranquility Auto Massage Mode
Spa massage	Starting Spa Auto Massage Mode
Traditional massage	Starting Traditional Auto Massage Mode
Whole body massage	Starting Whole Body Massage Mode
Partial massage	Starting Partial Massage Mode
Point massage	Starting Point Massage Mode
Kneading massage	Starting Kneading Massage Mode
Shiatsu massage	Starting Shiatsu Massage Mode
Tapping massage	Starting Tapping Massage Mode
Clapping massage	Starting Clapping Massage Mode
Knocking massage	Starting Knocking Massage Mode
Rolling massage	Starting Rolling Massage Mode

## Troubleshoot

If any abnormalities persist after completing the following checks, stop using the massage chair immediately to prevent potential accidents. Unplug the power cord from the outlet and contact technical support for assistance.



## Cleaning and Maintenance

### CLEANING

- ▶ Before cleaning, switch OFF power and remove the power plug from the wall outlet.
- ▶ Dip a soft, cotton cloth in neutral detergent and wring dry. Use it to wipe the pillow cushion, back cushion, armrests, legrests, and any plastic parts of the chair.
- ▶ Use a piece of wet cloth (without detergent) to re-wipe the pillow cushion and back cushion.
- ▶ Use a soft, dry cloth to re-wipe the armrests, legrests, and any plastic parts of the chair.
- ▶ Use a soft, dry cloth to wipe the controller, and the power supply box.
- ▶ To clean the foot/calf unit covers, remove them from the chair, hand wash with mild detergent and hang dry.

### CAUTION

- ▶ Before any maintenance, always disconnect the power plug from the wall outlet.
- ▶ To avoid electric shock, never touch the power plug with wet hands.
- ▶ When cleaning the back cover of the massage chair, do not allow any detergent to seep into the power supply box.
- ▶ Do not use abrasive chemicals, such as benzene or alcohol, to clean this chair. Damage to the chair may result.
- ▶ Do not apply an iron or any other heated device to the chair.

### STORAGE

When not in use, be sure to switch off power and detach the power plug from the wall outlet. Before putting into storage, wipe off all accumulated dirt and dust from the surface of the chair. Cover the entire surface of the chair with a dust cover (not included).

### CAUTION

- ▶ Do not store the product under direct sunlight, nor in a location with high temperatures. Doing so may cause the upholstery to fade.
- ▶ Do not allow massage chair to remain in contact with vinyl or wallpaper for extended periods of time as this could lead to discoloration.

## Specifications

Model	R9775EBLK
Rated Voltage	120V~
Rated Frequency	60Hz
Rated Power	300W
Upright Dimension	1465 × 840 × 1210mm (L × W × H)
Extended Dimension	1935 × 840 × 945mm (L × W × H)

