



ITEM NO: I07-450-PEP/BLK-2    2 Drawer NS

Thank you for purchasing this quality product. Be sure to check all packing material carefully for small parts that may come loose inside the carton during shipment.

**WARNING!** Before using this product, please read, understand, and follow these instructions. Failure to follow each of these assembly instructions precisely may result in damage to the product and / or injury to the consumer.



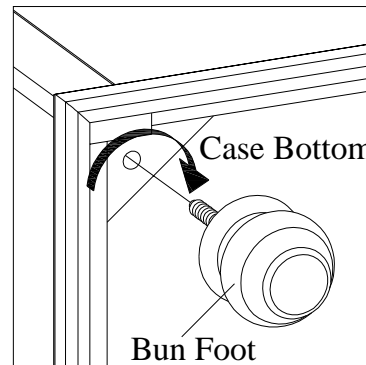
**UNIT SHOULD BE INSTALLED BY 2 OR MORE PERSONS.**



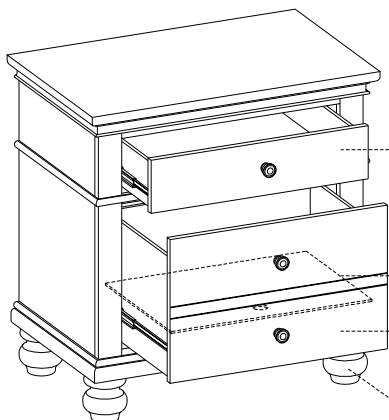
TOOLS REQUIRED (NOT PROVIDED)	
PHILLIPS SCREWDRIVER	

COMPONENTS LIST:			
No.	Description	Sketch	Quantity
1	Case		1 PC
2	Bun Foot		4 PCS

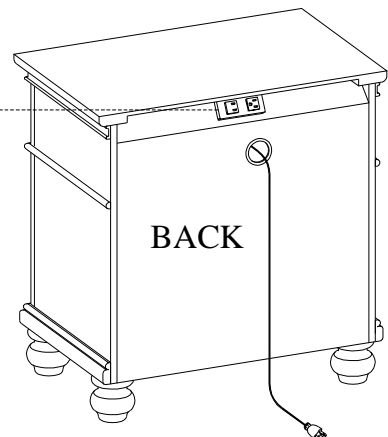
**STEP 1:** Put the case backside down on a soft surface, Attach the bun feet to the bottom of case, return the case to the upright position.



### FUNCTIONALITY INSTRUCTION



- ..... Felt-lined Top Drawer
- ..... 2 AC outlet Power Pack
- ..... Hidden Storage Compartment
- ..... Cedar-lined Bottom Drawer
- ..... Adjust the bun feet when necessary



FOR INDOOR USE ONLY