

NOTICE

*Please make sure that you have all parts indicated and they are in good condition before you begin assembly of this item. Refer to part list and hardware list below for guidance.

*This item should be assembled on a soft surface to prevent scratching the finish during assembly.

*This item may require periodic tightening.

*If you are having difficulty, our friendly Customer Care team is always here to help. Please email customersupport@safavieh.com.

PREPARATION

* Before beginning assembly of product, make sure all parts are present. Compare parts with part contents list and hardware contents list.

* If any part is missing or damaged, do not attempt to assemble the product.

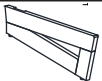
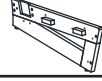

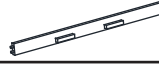

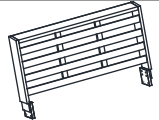

* Estimated Assembly Time: 10 minutes.

***Tools Required for Assembly (included): Allen Key**

CARE AND MAINTENANCE

Insert Care and Maintenance here

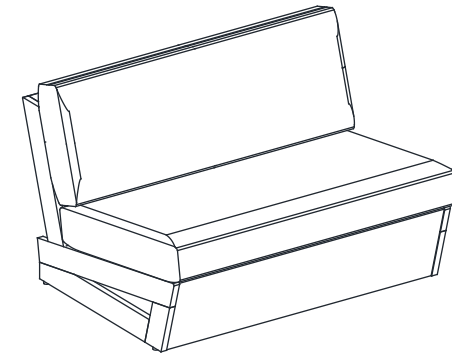
Part List and Hardware List

PIECE	DESCRIPTION	PICTURE	QUANTITY
A	Right Leg Panel		1X
B	Left Leg Panel		1X
C	Front Support Bar		1X
D	Middle Support Bar		1X
E	Back Support Bar		1X
F	Backrest Panel		1X
G	Seat Panel		1X



Model# PAT7329







Product Dimensions: 42.9" W x 34.4" D x 24.4" H



Weight Capacity : 400 Ibs

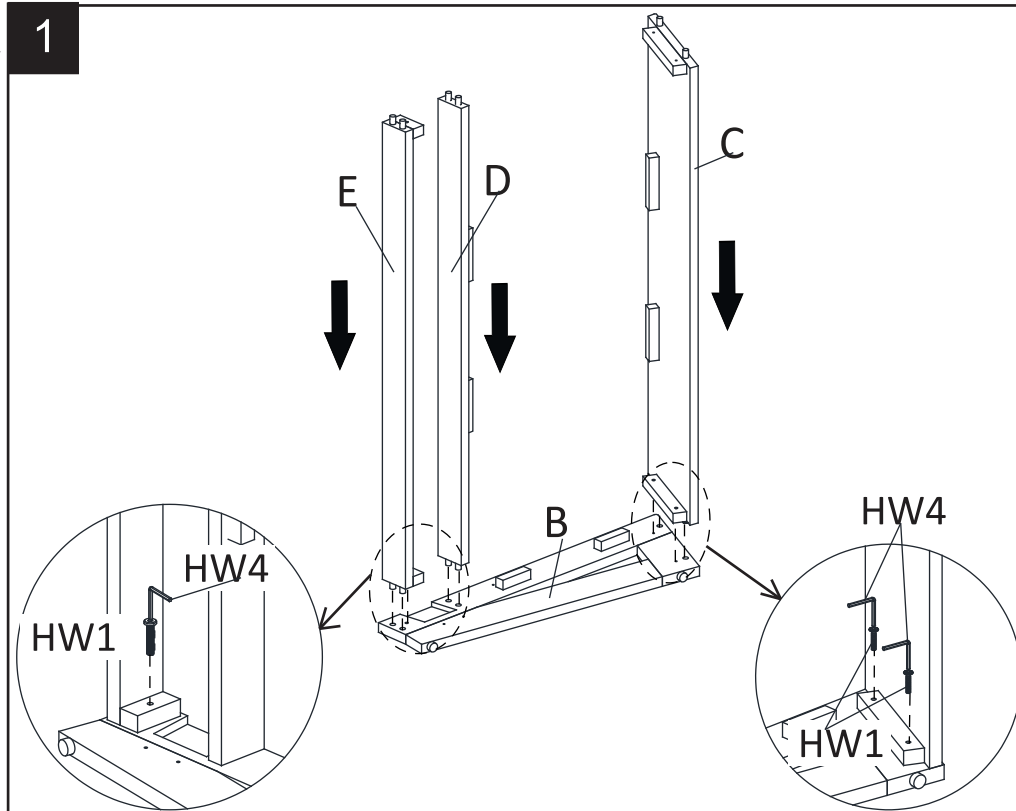
Warning : Do not stand on bench

Warning : Do not over torque bolts / screws

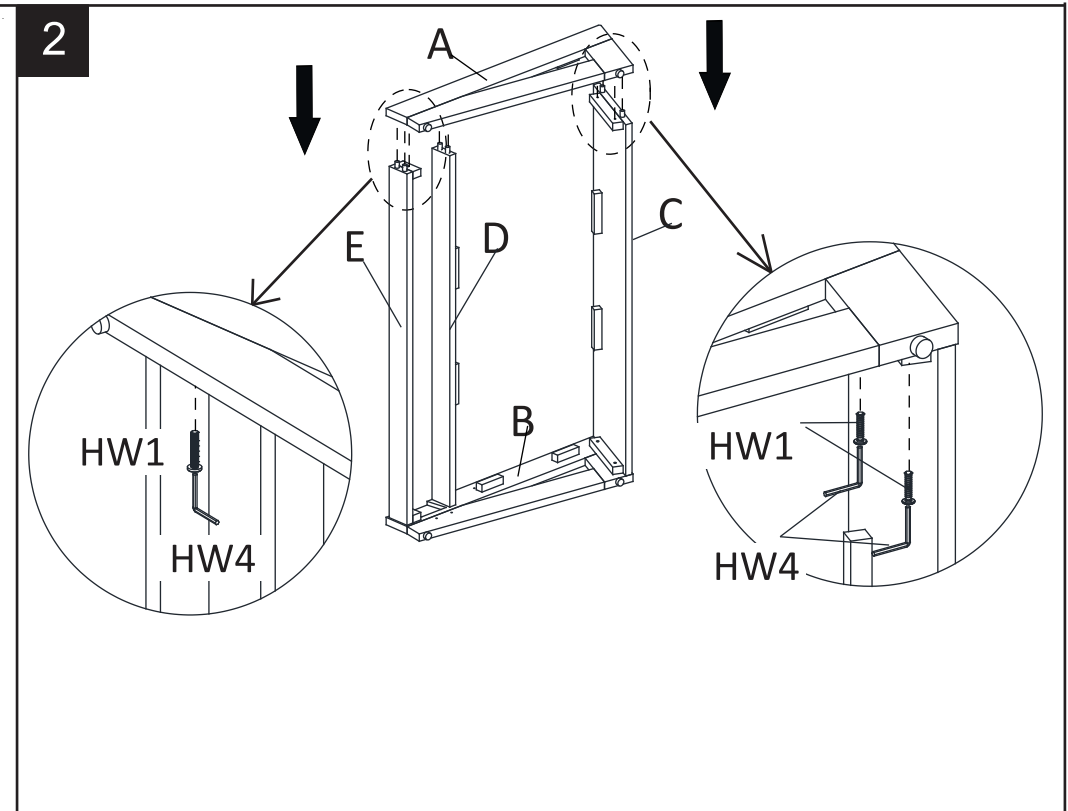
CSH1	Seat cushion		1X
CSH2	Back Cushion		1X
HW1	Allen Bolt: M6x0.5x35 mm	 M6x30	6X
HW2	Allen Bolt: M6x0.5x45 mm	 M6x40	4X
HW3	Screws M6x0.5x35 mm	 M6x35	4X
HW4	Allen key	 LG4	1X

PREPARATION

- *Before beginning assembly of product, make sure all parts are present. Compare parts with package contents list and hardware contents list.
- *If any part is missing or damaged, do not attempt to assemble the product.
- * Estimated Assembly Time : 10 minutes.
- * Tools Required for Assembly (included): Allen Key
- * If you are having difficulty, our friendly Customer care team is always here to help. Please email customersupport@safavieh.com



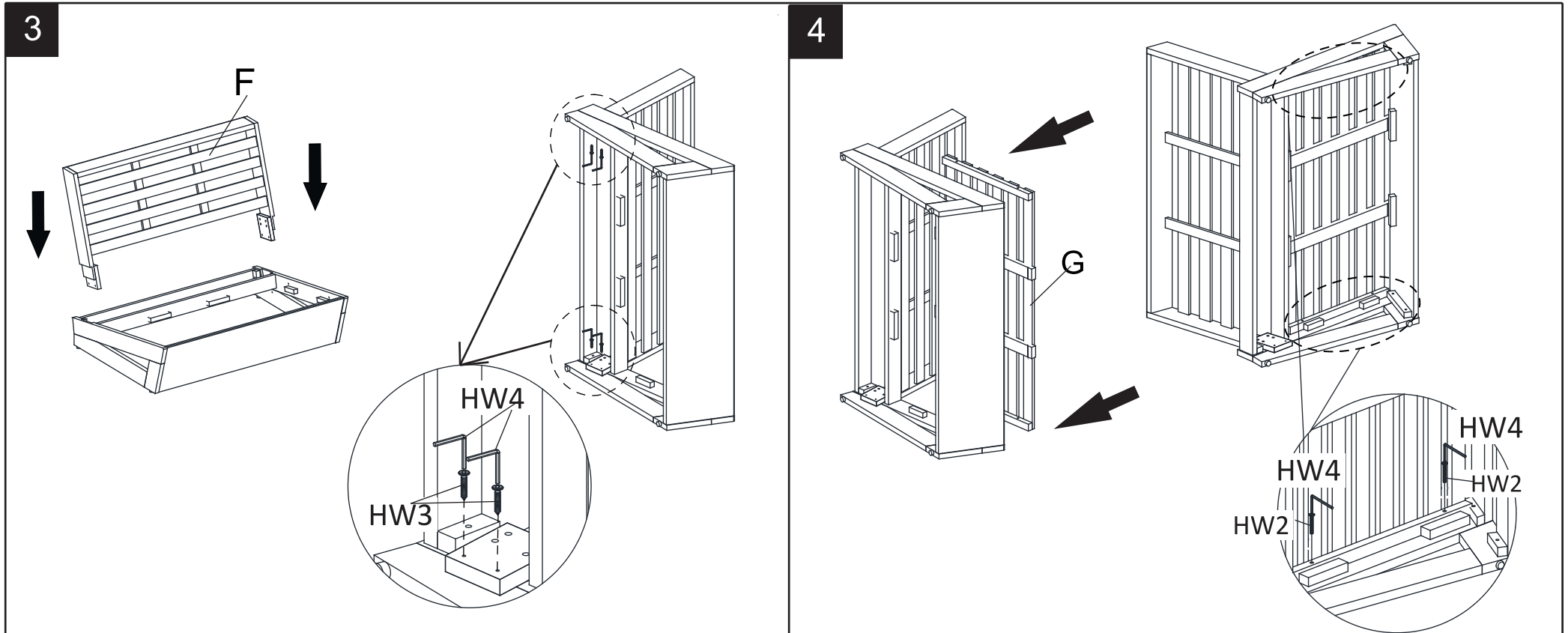
Step 1.1
Attach the Back Support Bar (E) to the Left leg Panel (B) using Bolts(HW1) and the Allen key (HW4) as shown above.



Step 2.1
Attach the Right leg Panel (A) to the Back Support Bar (E) using Bolts(HW1), the Allen key (HW4) as shown above.

PREPARATION

- *Before beginning assembly of product, make sure all parts are present. Compare parts with package contents list and hardware contents list.
- *If any part is missing or damaged, do not attempt to assemble the product.
- * Estimated Assembly Time : 10 minutes.
- * Tools Required for Assembly (included): Allen Key
- * If you are having difficulty, our friendly Customer care team is always here to help. Please email customersupport@safavieh.com



Step 3

Attach the Backrest (F) to Right leg panel(A) and Left leg Panel (B) the using Screws (HW3) and the Allen key (HW4)) as shown above.

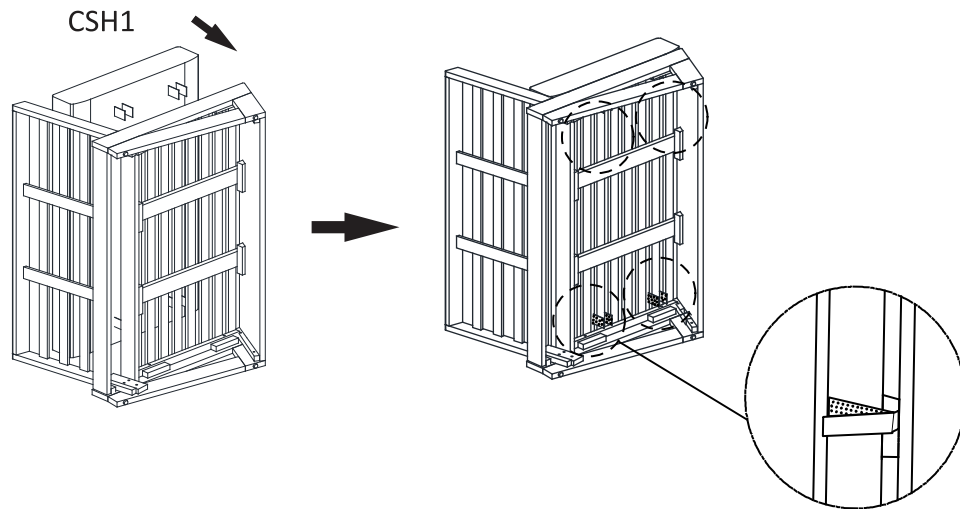
Step 4

Attach the Seat Panel (G) into the Chair as shown in picture above. Affix the Seat Panel (G)to the Chair using Bolt (HW2) and the Allen (HW4).

PREPARATION

- *Before beginning assembly of product, make sure all parts are present. Compare parts with package contents list and hardware contents list.
- *If any part is missing or damaged, do not attempt to assemble the product.
- * Estimated Assembly Time : 10 minutes.
- * Tools Required for Assembly (included): Allen Key
- * If you are having difficulty, our friendly Customer care team is always here to help. Please email customersupport@safavieh.com

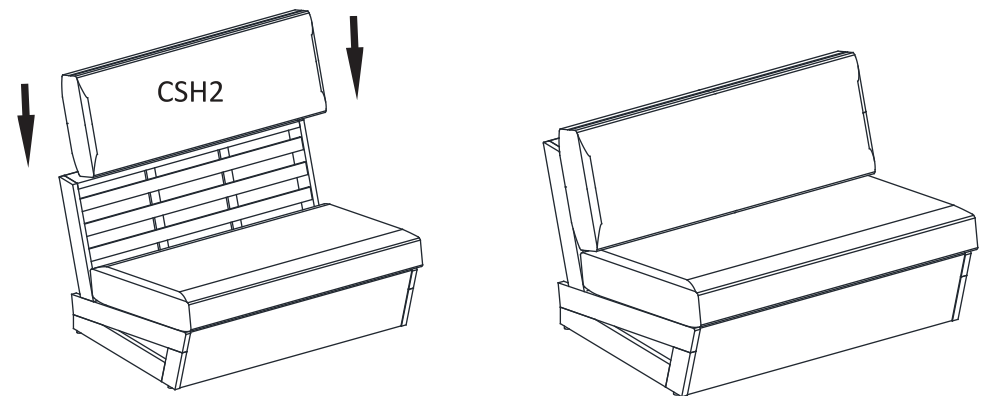
5



Step 5

Place the Seat Cushion (CSH1) onto The Bench as shown above.

6



Step 6

Place the Back Cushions (CSH2) onto The Bench as shown above.