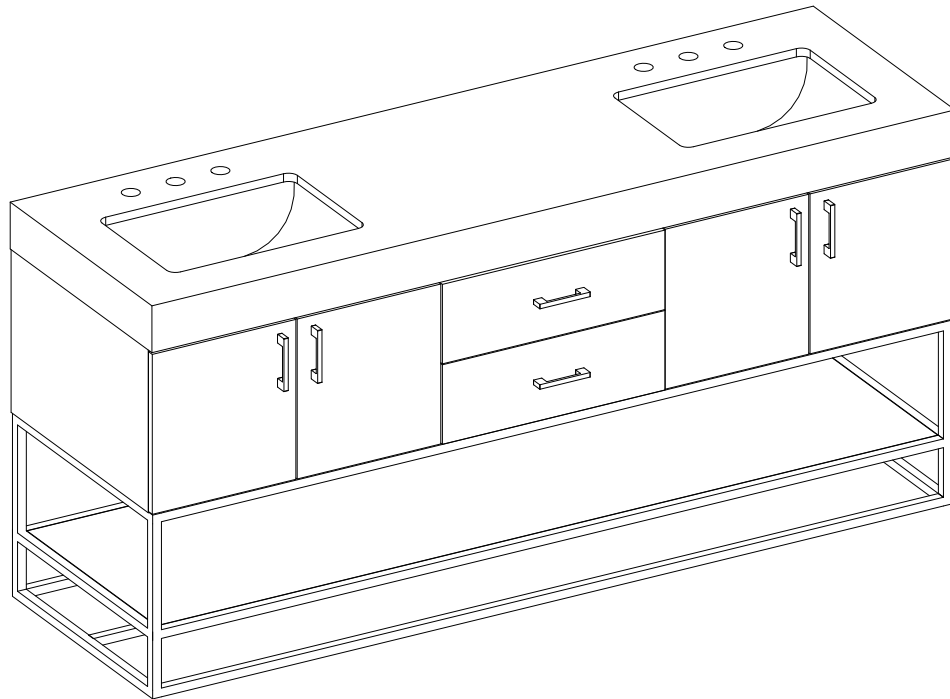


# 72" DOUBLE VANITY

N521-V72-WMO  
N521-V72-WLD

---



## Features and Materials

Solids: Yellow Poplar  
Veneers: (WMO,WLD) Engineered Oak  
Panels: MDF + Plywood  
Number of Doors: Four  
Number of Drawers: Two  
European Soft Close Hinges  
Full Extension, Soft Close Slides  
USB/Power Component: Yes, (ETL5011080)  
Installation: Freestanding  
Assembly Required: Attach the top with sink to the cabinet  
Hardware Material and Finish: Zinc Alloy  
(WMO)(WLD), Champagne Brass  
Adjustable levelers  
Sink Top Included: Yes  
Sink Top Material: Glossy White Composite  
Number of Basins: Two  
Faucet: 8" Widespread, not included  
Basin Overflow: Yes, facing front  
Fits Drain Hole Size: 1-3/8"

## Overall Dimensions

Width:72"  
Depth:22"  
Height:33-3/4"

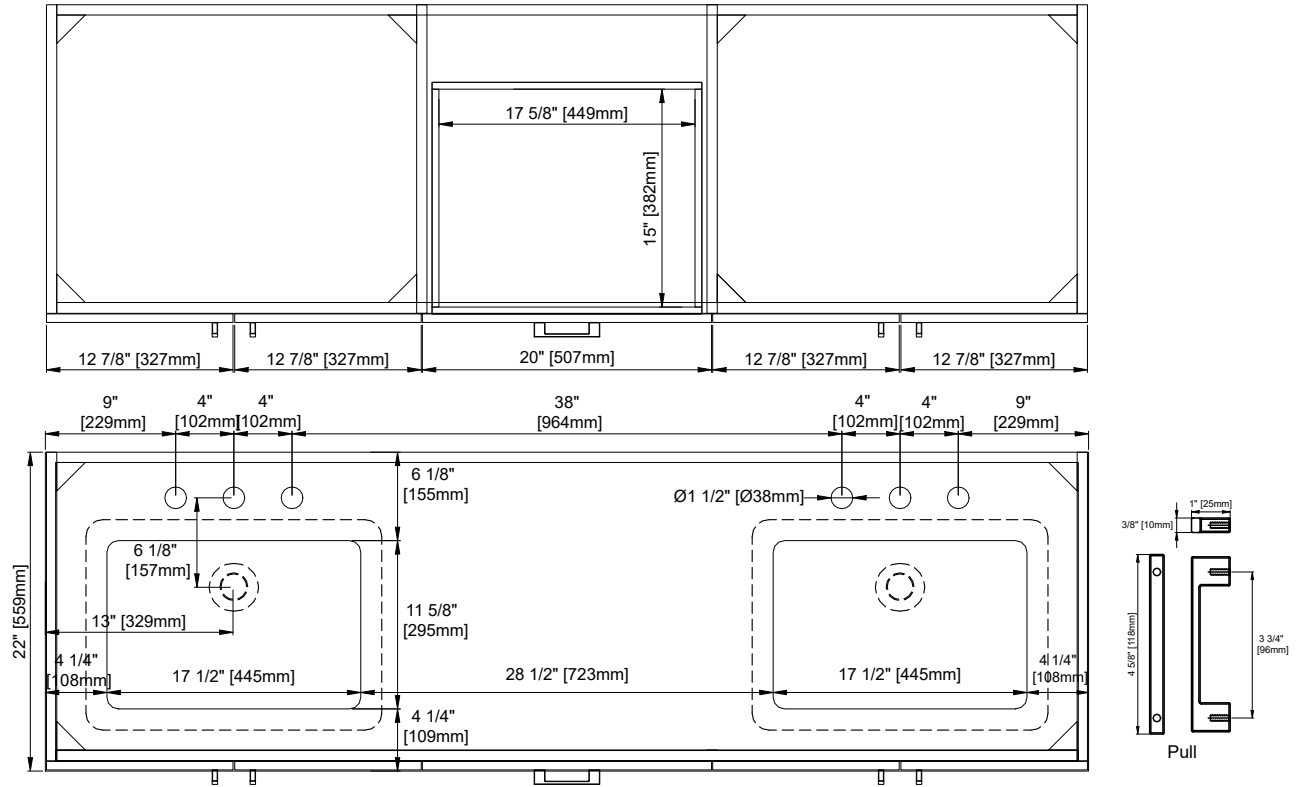


ASME A112.19.2-2018/CSA B45.1-18

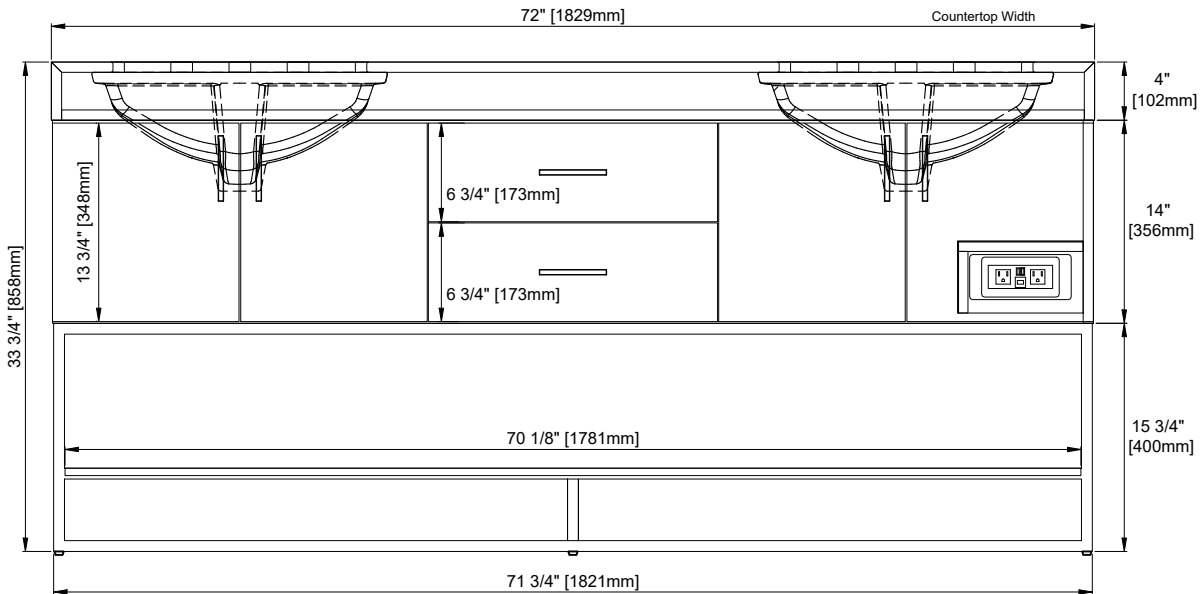
SINK MODEL: SNK-V1  
CUPC FILE NO: 13093

# 72" DOUBLE VANITY

N521-V72-WMO  
N521-V72-WLD



Top View



Front View

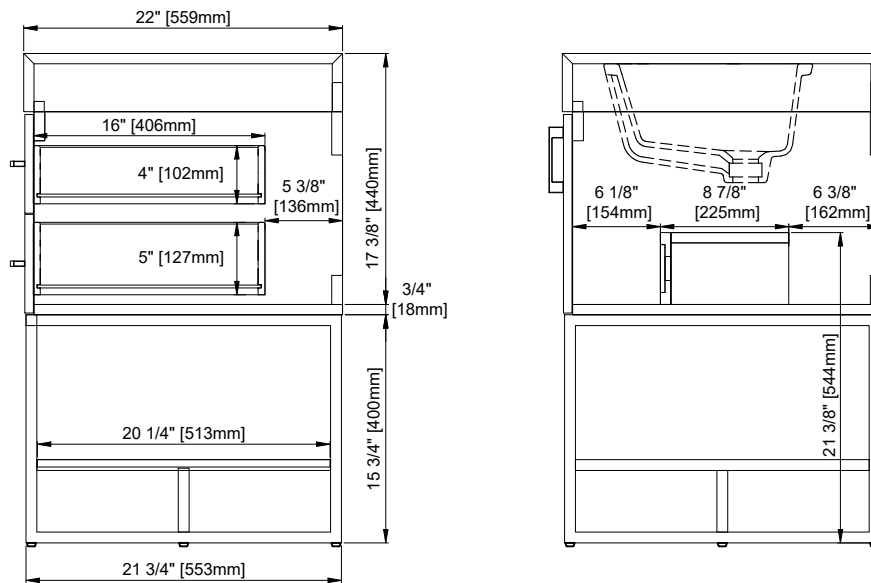
All dimensions are nominal  
2/3

Version: 202506

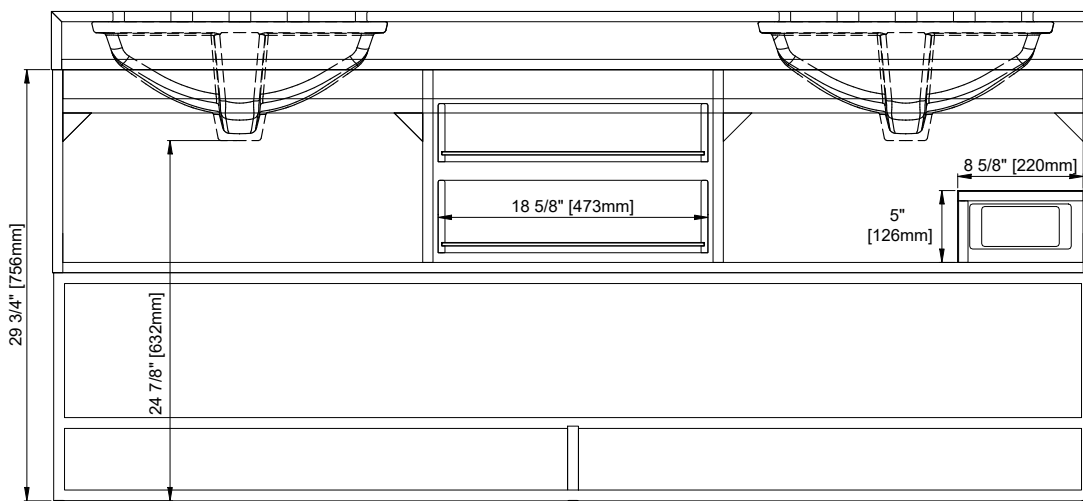
# 72" DOUBLE VANITY

N521-V72-WMO

N521-V72-WLD



Side View



Back View

All dimensions are nominal