

ASSEMBLY INSTRUCTIONS

# Nightstand

MOD-7017 / V3.04.27.26

---

**modway**



Questions? Contact us!

609.256.9000  
cs@modway.com

# Welcome.

## Let's get started.

Before you begin, here are some things to keep in mind:

Assembly will take most people **about 60 minutes**. Consider having a friend help you!

**Only use hand tools to assemble this item**  
Do not use power tools. Do not tighten bolts or screws completely until all hardware is lined up and inserted into the holes.

**Read through all of the instructions before starting. Make sure you have all parts and components before discarding any packing materials.**

Do not over-tighten screws and bolts to avoid stripping the hardware or cracking the item.

Assemble your item on a flat, carpeted area, with plenty of space to work. This will prevent damage and scratches to your floors or the item while you're assembling the product.

Keep all components and packaging out of reach of children or animals to avoid risk of choking or suffocation.




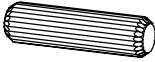



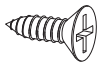

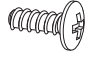
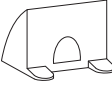
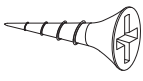

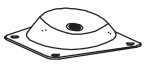
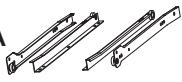
**Care instructions are listed in the last step of this manual.**

**WAIT!**

Missing parts or hardware? Need assistance?  
Contact us before returning your item.  
We're here to help!



## HARDWARE INCLUDED IN THE BOX:

A		Cam Bolt Ø6 x 35 mm	x16
B		Cam Lock Ø15 mm	x8
C		Cam Lock Ø12 mm	x8
D		Wood Dowel Ø8 x 30 mm	x8
E		Wood Dowel Ø6 x 30 mm	x4
F		Drawer Knob	x2
G		Screw M 6 x 10.5 mm	x8
H		Screw M 3.5 x 13 mm	x12
I		Screw M 4 x 39 mm	x8
J		Screw M 4.5 x 12.5 mm	x20
K		Wedge	x12
L		Screw M 3.5 x 15.5 mm	x12
M		Screw M 4 x 22 mm	x2
PM1		Mounting Plate	x4
RM35A		Drawer Runner	x2

## WHAT YOU NEED:



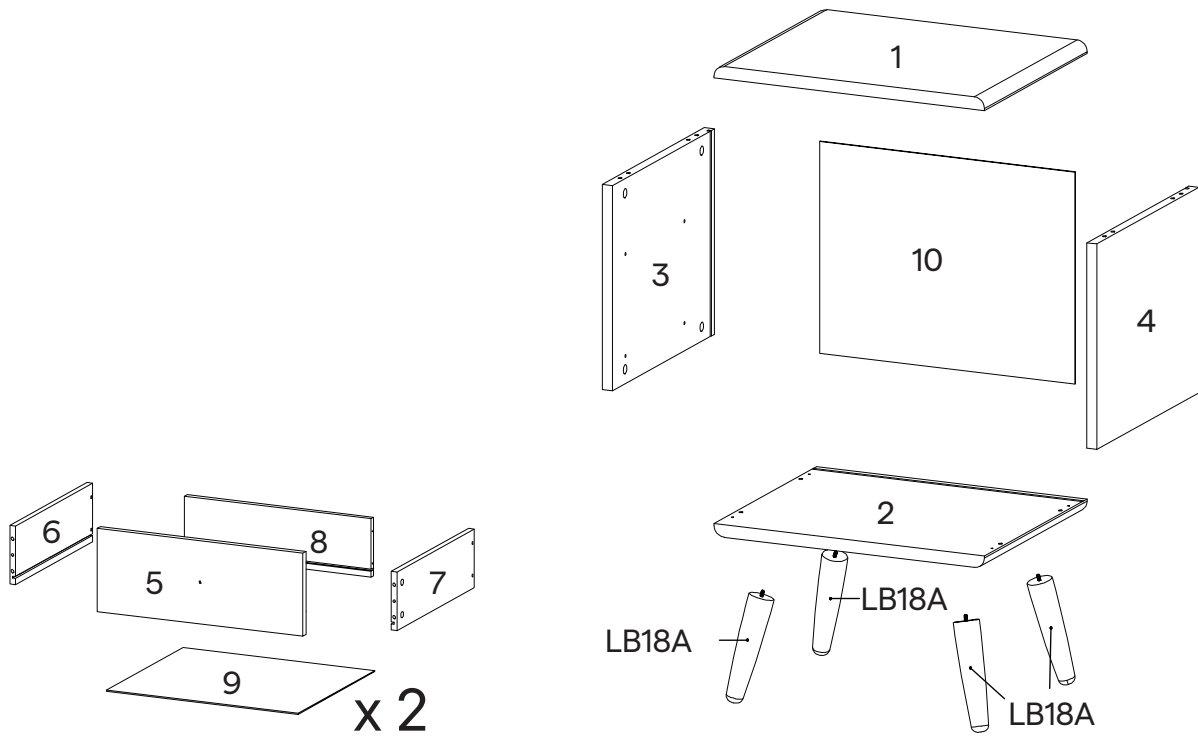
Phillips



Phillips Head Screwdriver

# FURNITURE COMPONENTS INCLUDED IN THE BOX:

All parts are numbered with a sticker according to this list.



1	Top Board	x1	7	Side Drawer Right	x2
2	Bottom Board	x1	8	Back Drawer	x2
3	Side Board Left	x1	9	Bottom Drawer	x2
4	Side Board Right	x1	10	Back Board	x1
5	Front Drawer	x2	LB18A	Leg	x4
6	Side Drawer Left	x2			

**HARDWARE**

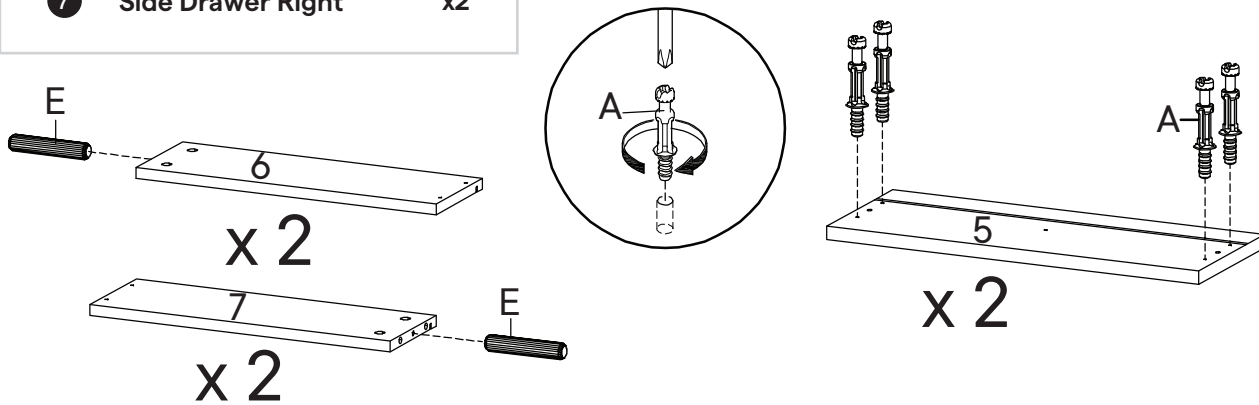
- A** Cam Bolt Ø6 x 35 mm x8
- E** Wood Dowel Ø6 x 30 mm x4

**COMPONENTS**

- 5** Front Drawer x2
- 6** Side Drawer Left x2
- 7** Side Drawer Right x2

**1.1** Insert Cam Bolt Ø6 x 35 mm (A) into Front Drawer (5), then tighten using screwdriver.

**1.2** Insert Wood Dowel Ø6 x 30 mm (E) into Side Drawer Left (6) and Side Drawer Right (7).



## STEP 02

**HARDWARE**

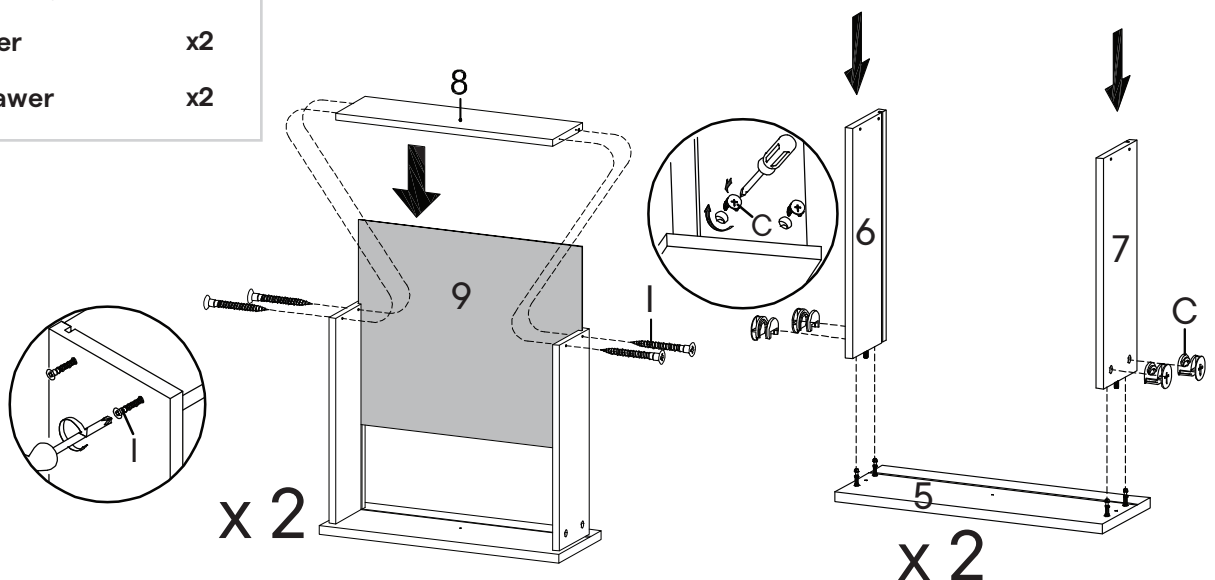
- C** Cam Lock Ø12 mm x8
- I** Screw M 4 x 39 mm x8

**COMPONENTS**

- 5** Front Drawer x2
- 6** Side Drawer Left x2
- 7** Side Drawer Right x2
- 8** Back Drawer x2
- 9** Bottom Drawer x2

**2.1** Attach Side Drawer Left (6) and Side Drawer Right (7) to Front Drawer (5) secure with Cam Lock Ø12 mm (C) then tighten using screwdriver.

**2.2** Insert Bottom Drawer (9), into Front Drawer with laminated face facing upward. Insert Back Drawer (8) secure with Screw M 4 x 39 mm (I) tighten using screwdriver, position as shown in the picture.

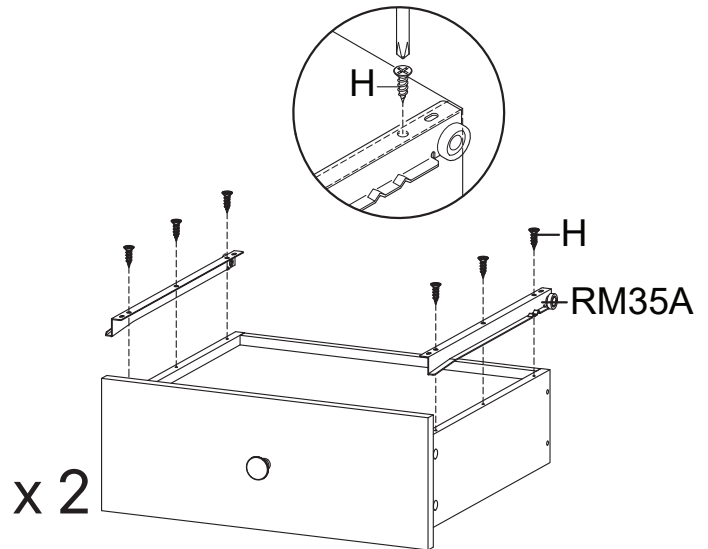
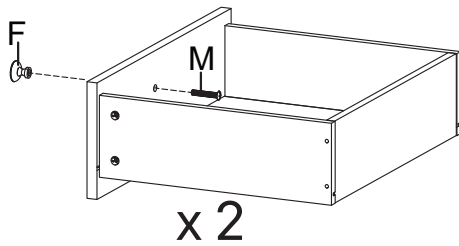


## HARDWARE

<b>F</b>	Drawer Knob	x2
<b>H</b>	Screw M 3.5 x 13 mm	x12
<b>M</b>	Screw M 4 x 22 mm	x2
<b>RM35A</b>	Drawer Runner	x2

**3.1** Install Drawer Knob (F) into Front Drawer (5), secure with Screw M 4 x 22 mm (M), then tighten using screwdriver.

**3.2** Install the Drawer Runner (RM35A) into Side Drawer. Secure with Screw M 3.5 x 13 mm (H), then tighten screw using screwdriver. Position as shown in the figure.

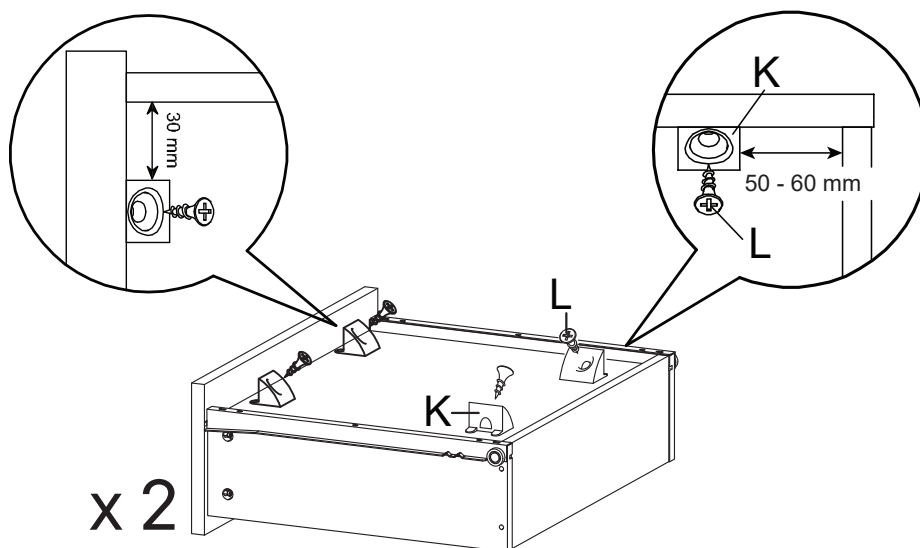


## STEP 04

## HARDWARE

<b>K</b>	Wedge	x8
<b>L</b>	Screw M 3.5 x 15.5 mm	x8

**4.1** Install the Wedge (K) and Screw M 3.5 x 15.5 mm (L) into bottom of the drawer according to the picture.



**HARDWARE**

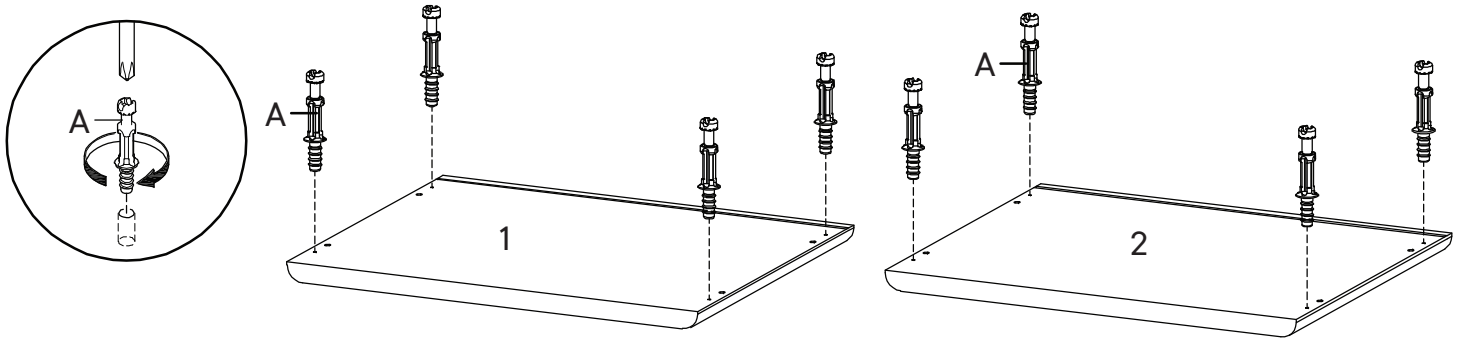
**A** Cam Bolt Ø6 x 35 mm x8

**COMPONENTS**

**1** Top Board x1

**2** Bottom Board x1

**5.1** Insert Cam Bolt Ø6 x 35 mm (A) into Top Board (1) and Bottom Board (2), then tighten using screwdriver. Position as shown in the figure.



## STEP 06

**HARDWARE**

**D** Wood Dowel Ø8 x 30 mm x8

**G** Screw M 6 x 10.5 mm x8

**RM35A** Drawer Runner x2

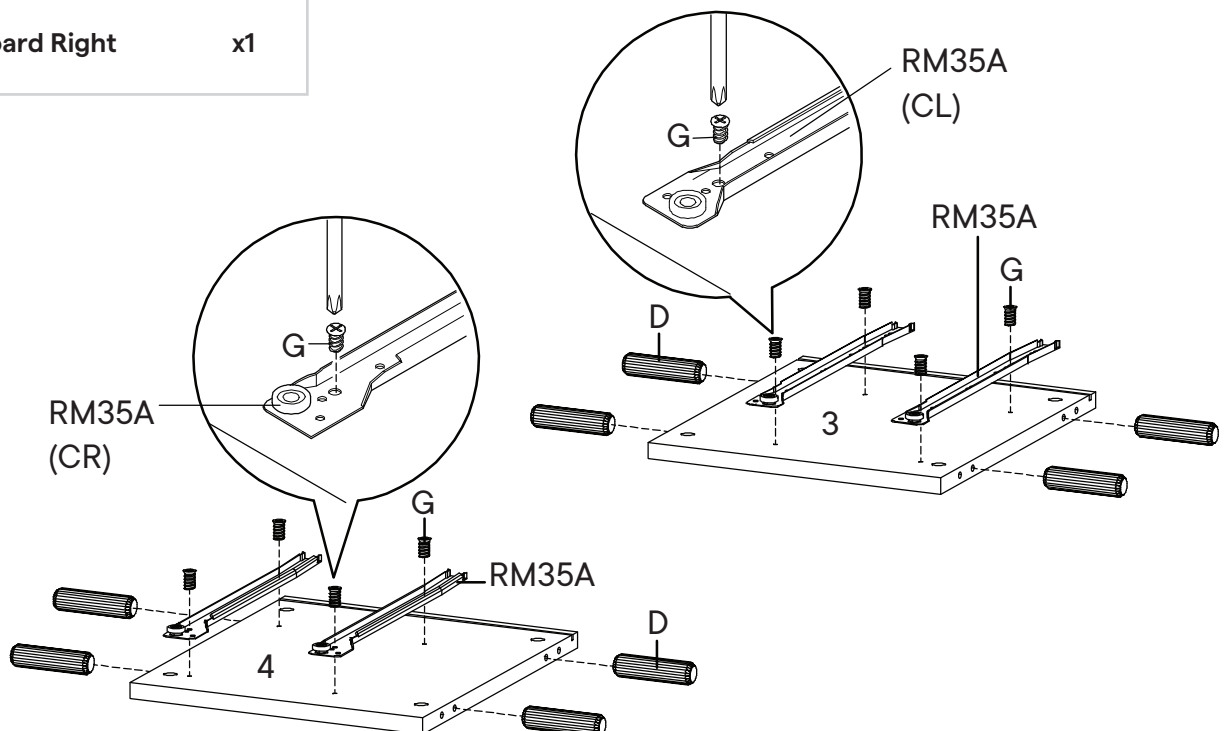
**COMPONENTS**

**3** Side Board Left x1

**4** Side Board Right x1

**6.1** Securing part of the Drawer Runner (RM35A) (CL) into Side Board Left (3), secure with Screw M 6 x 10.5 mm (G) Ensure the position as the below details, and insert Wood Dowel Ø8 x 30 mm (D), Position as shown in the figure.

**6.2** Securing part of the Drawer Runner (RM35A) (CR) into Side Board Right (4), secure with Screw M 6 x 10.5 mm (G) Ensure the position as the below details, and insert Wood Dowel Ø8 x 30 mm (D), Position as shown in the figure.



**HARDWARE**

**B** Cam Lock Ø15 mm x4

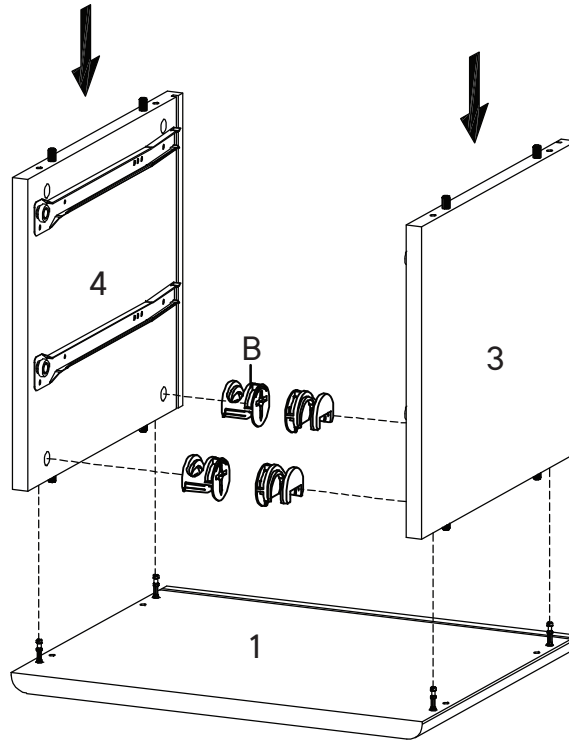
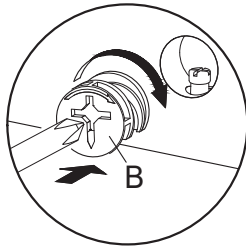
**COMPONENTS**

**1** Top Board x1

**3** Side Board Left x1

**4** Side Board Right x1

7.1 Attach component Side Board Left (3), Side Board Right (4) to Top Board (1) secure with Cam Lock Ø15 mm (B) then tighten using screwdriver. Position as shown in the figure.



STEP 08

**HARDWARE**

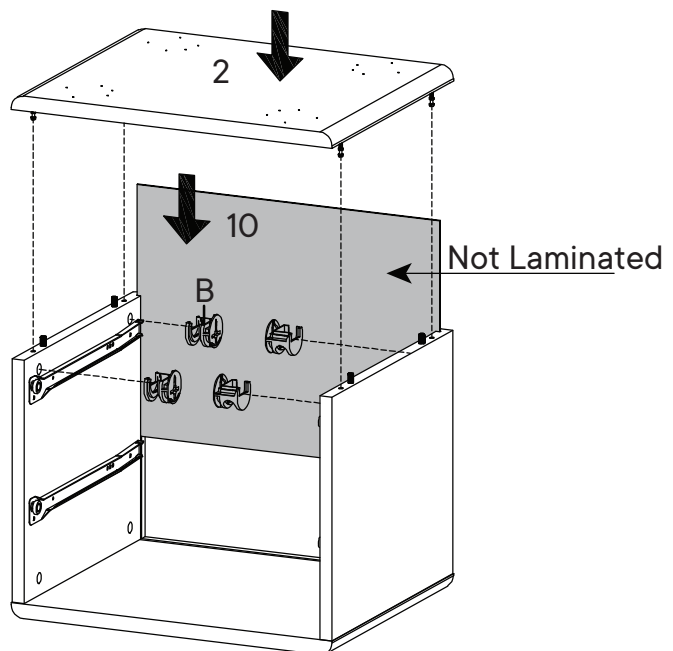
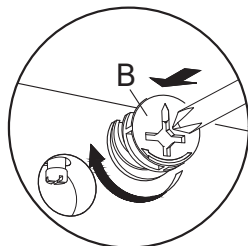
**B** Cam Lock Ø15 mm x4

**COMPONENTS**

**2** Bottom Board x1

**10** Back Board x1

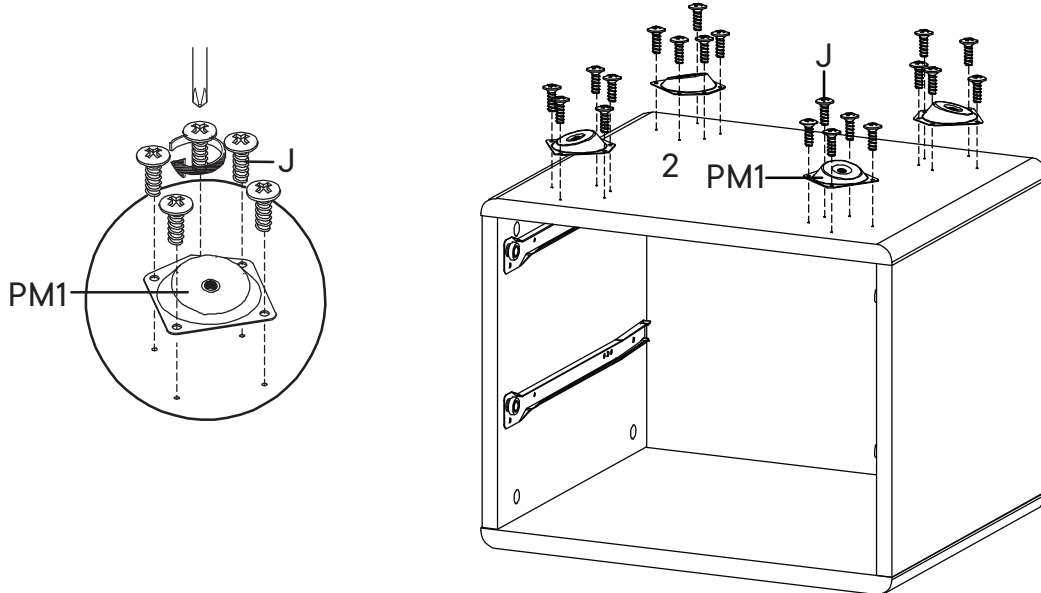
8.1 Insert Back Board (10) into Top Board. Then insert Bottom Board (2) secure with Cam Lock Ø15 mm (B) then tighten using screwdriver. Position as shown in the figure.



**HARDWARE**

- J** Screw M 4.5 x 12.5 mm x20
- PM1** Mounting Plate x4

**9.1** Install the Mounting Plate (PM1) into Bottom Board, secure with Screw M 4.5 x 12.5 mm (J) then tighten using screwdriver. Position as shown in the figure.

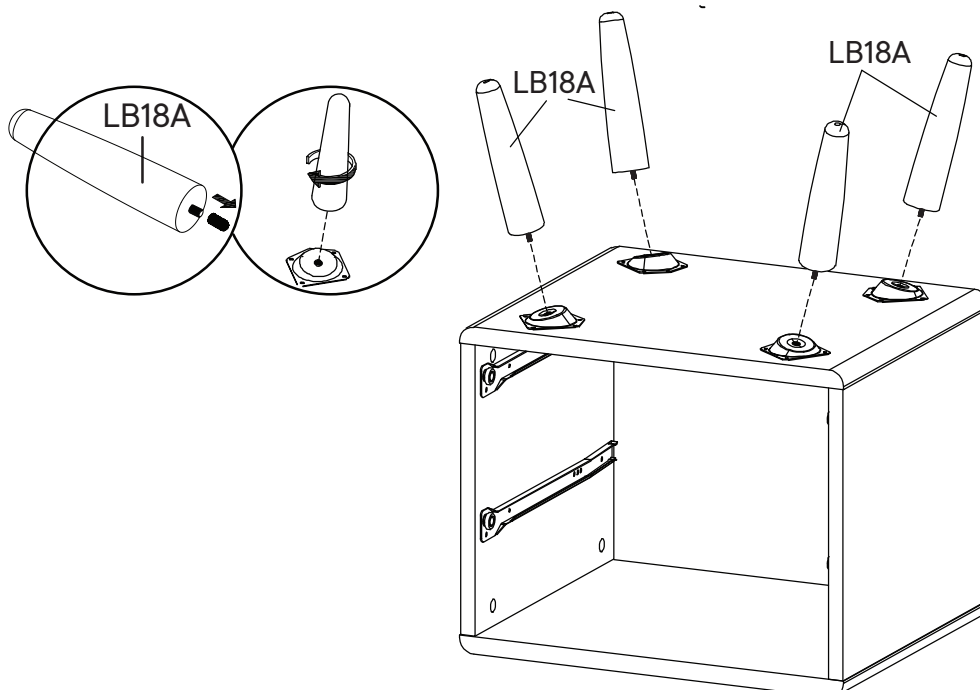


## STEP 10

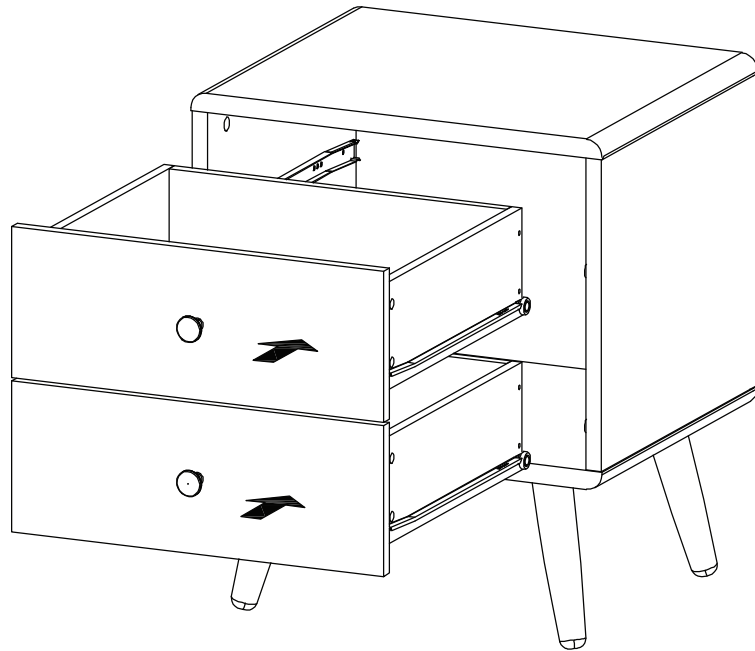
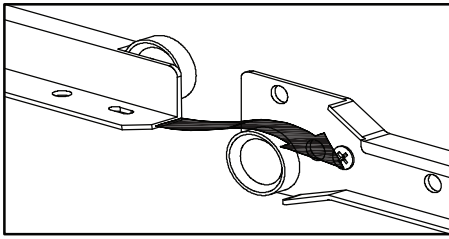
**COMPONENTS**

- LB18A** Leg x4

**10.1** Ensure the cap is removed before the installation. Install Leg (LB18A) into Bottom Board. Tighten by rotating clockwise.



11.1 Hold the sides of drawer, position the wheel of rail at drawer back and the wheel of rail at Side Boards, according to the image. Slide in the drawers one by one into the Nightstand.

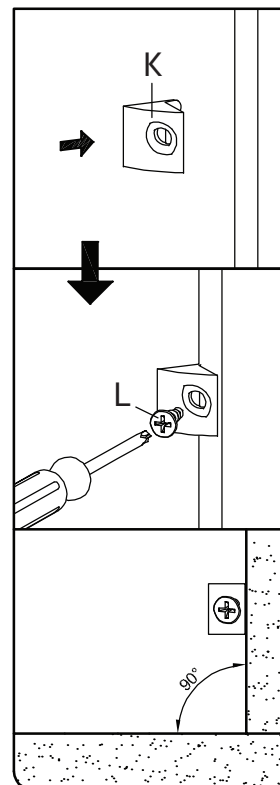
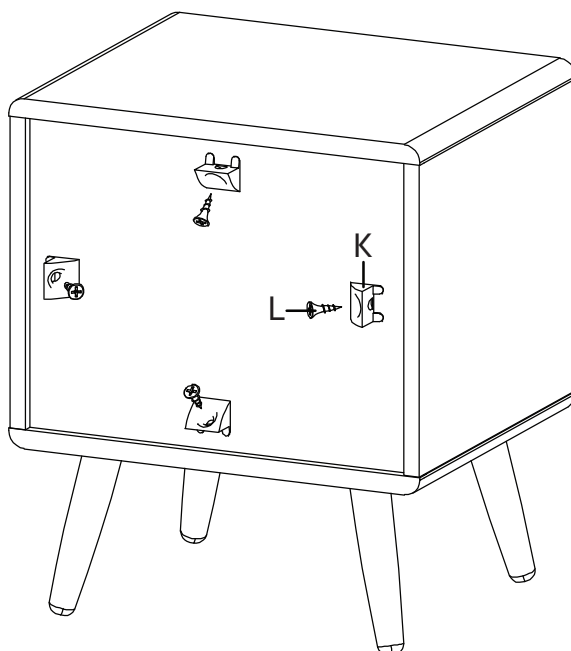


## STEP 12

## HARDWARE

- |          |                       |    |
|----------|-----------------------|----|
| <b>K</b> | Wedge                 | x4 |
| <b>L</b> | Screw M 3.5 x 15.5 mm | x4 |

12.1 Use the Wedge (K) and Screw M 3.5 x 15.5 mm (L) to tighten the back of the Nightstand using screwdriver. Before securing the wedges (K), ensure that the top board and bottom board are aligned at a 90° angle against the Nightstand .

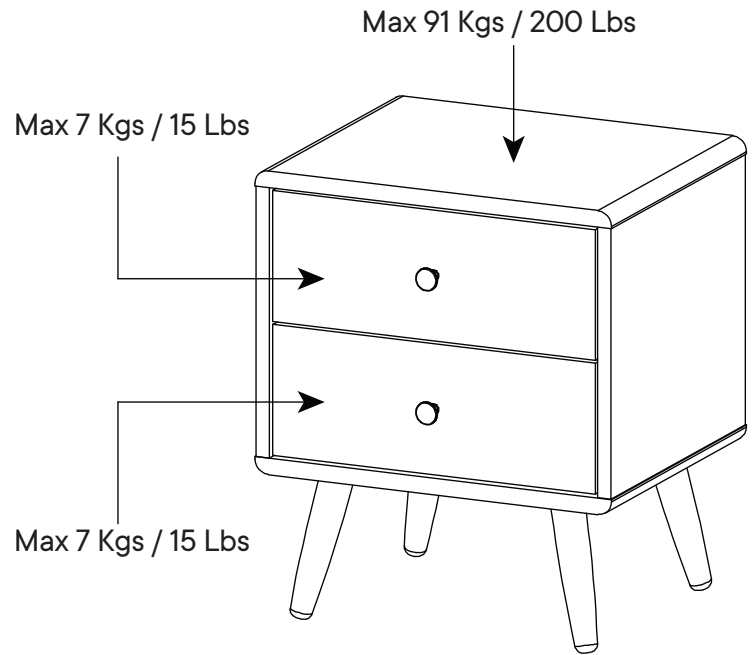


# Great job!

Nightstand assembly is complete

## CARING FOR YOUR ITEM

- Indoor use only.
- Not contract grade.
- Clean using a non-abrasive cloth and a mild cleaner.
- Never use harsh chemicals, as they could damage the finish or integrity of the item.



## CONNECT WITH US!

Tag us @modway\_furniture and #modway for a chance to be featured.

# modway



Questions? Contact us!  
609.256.9000  
cs@modway.com