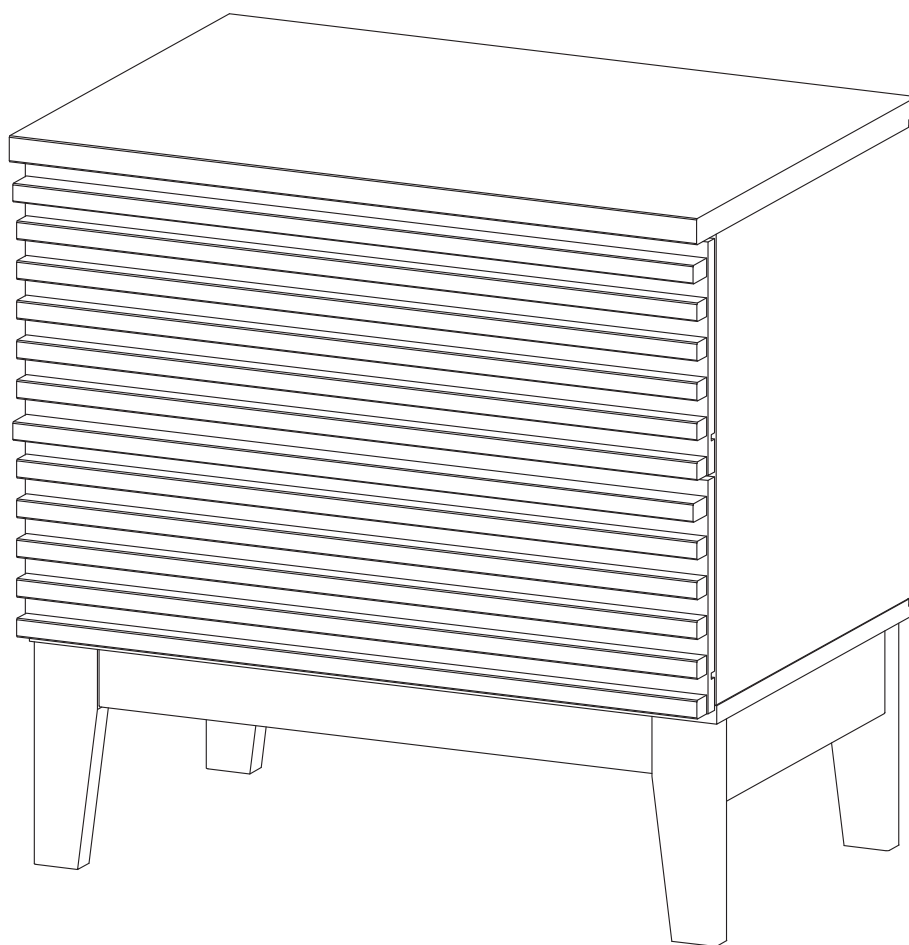


## ASSEMBLY INSTRUCTIONS

# MOD-6964

V3.24.12.24



### Questions? Contact us!

609.256.9000 • [cs@modway.com](mailto:cs@modway.com)  
[www.modway.com](http://www.modway.com)

\*modway



Read through all of the instructions before starting



Care instructions are listed in the last step of this manual



Approx. 45 minutes assembly time



Make sure you have all parts and components before discarding any packing materials



1 people recommended for assembly

**Only use hand tools to assemble this item.** Do not use power tools. Do not tighten bolts or screws completely until all hardware is lined up and inserted into the holes.

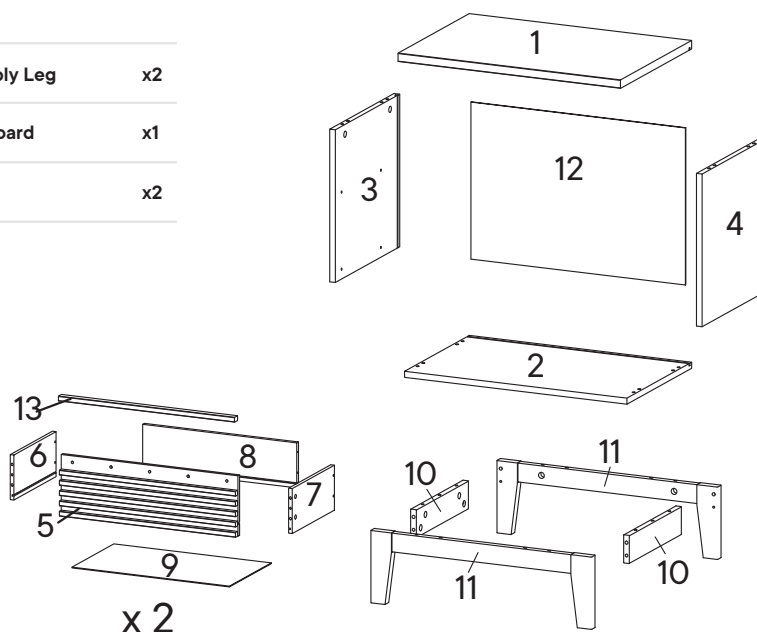
Do not over-tighten screws and bolts to avoid stripping the hardware or cracking the item.

Assemble your item on a flat, carpeted area, with plenty of space to work. This will prevent damage and scratches to your floors or the item while you're assembling the product.

Keep all components and packaging out of reach of children or animals to avoid risk of choking or suffocation.

## Furniture components:

1	Top Board	x1	11	Assembly Leg	x2
2	Bottom Board	x1	12	Back Board	x1
3	Side Board Left	x1	13	Handle	x2
4	Side Board Right	x1			
5	Front Drawer	x2			
6	Side Drawer Left	x2			
7	Side Drawer Right	x2			
8	Back Drawer	x2			
9	Bottom Drawer	x2			
10	Bottom Skirt	x2			



## Provided hardware:

A		Cam Bolt Ø6 x 35 mm	x16	J		Screw M 8 x 39 mm	x8
B		Cam Lock Ø15 mm	x16	K		Wedge	x14
C		Cam Lock Ø12 mm	x8	L		Screw M 3.5 x 15.5 mm	x14
D		Wood Dowel Ø8 x 30 mm	x18	M		Wood Dowel Ø5 x 20 mm	x4
E		Screw M 7 x 50 mm	x4	N		Screw M 6.4 x 25 mm	x6
F		Allen Key	x1	O		Cam Bolt Ø6 x 32 mm	x8
G		Floor Protector	x4	P		Wood Dowel Ø6 x 30 mm	x4
H		Screw M 6 x 10.5 mm	x8	RM30A		Drawer Runner	x2
I		Screw M 3.5 x 13 mm	x12				

## What you need:



Wait!

Missing parts or hardware? Need assistance?  
Contact us before returning your item. We're here to help!  
609.256.9000 • cs@modway.com

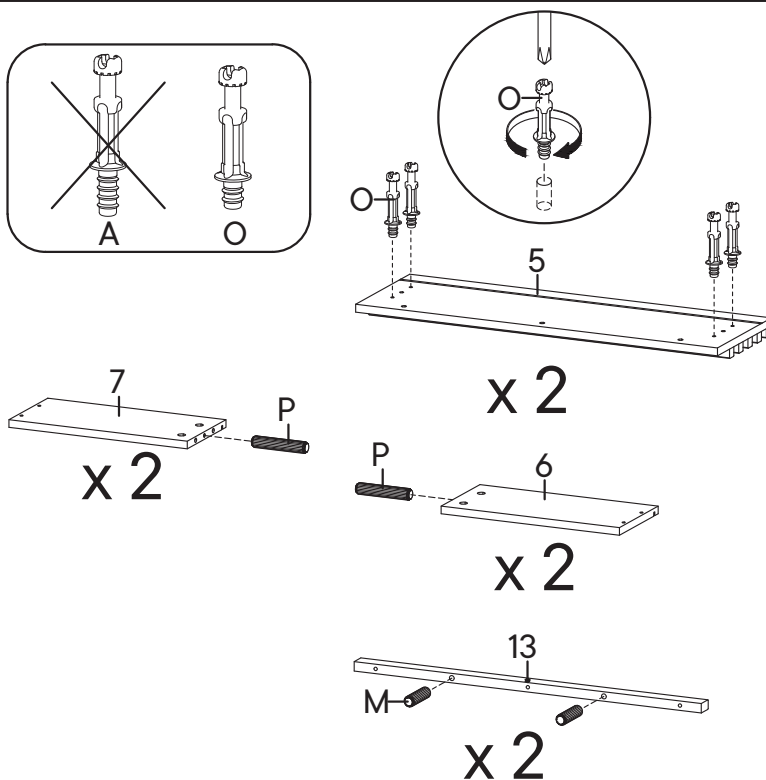
# Step 1

## HARDWARE

- M** Wood Dowel  $\varnothing 5 \times 20$  mm x4
- O** Cam Bolt  $\varnothing 6 \times 32$  mm x8
- P** Wood Dowel  $\varnothing 6 \times 30$  mm x4

## COMPONENTS

- 5** Front Drawer x2
- 6** Side Drawer Left x2
- 7** Side Drawer Right x2
- 13** Handle x2



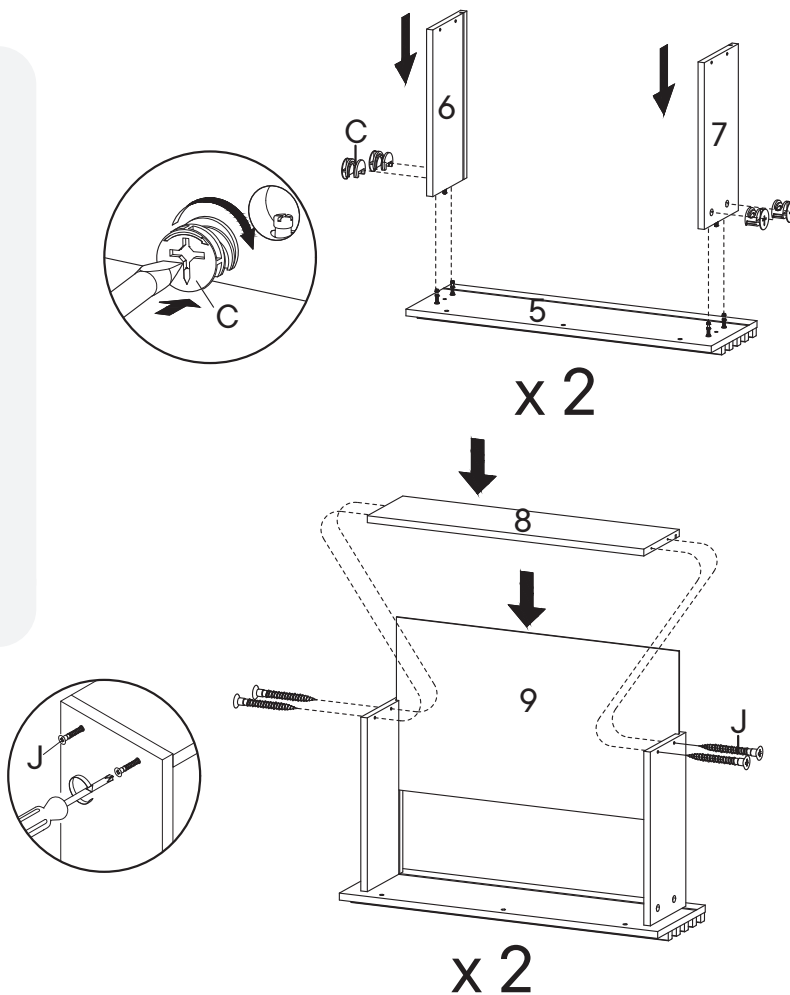
# Step 2

## HARDWARE

- C** Cam Lock  $\varnothing 12$  mm x8
- J** Screw M 8 x 39 mm x8

## COMPONENTS

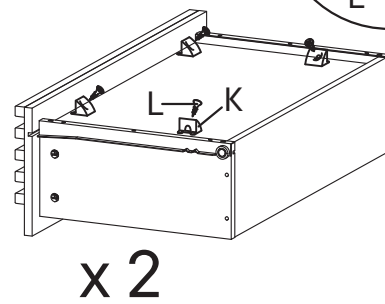
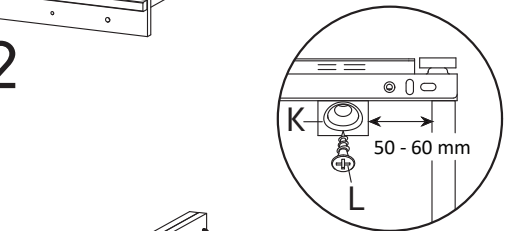
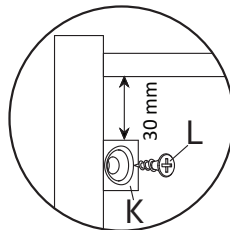
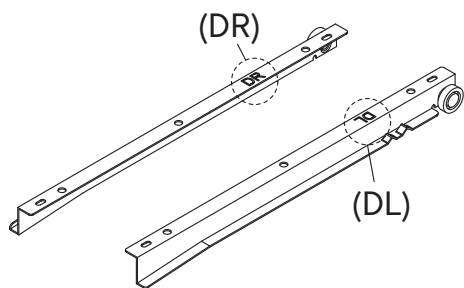
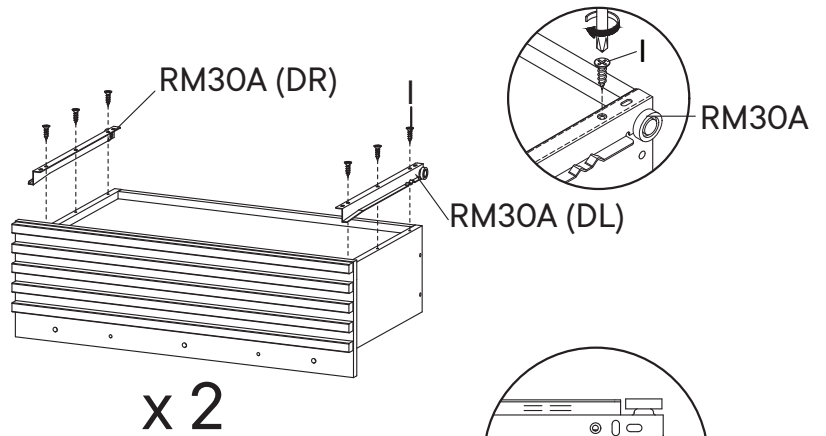
- 5** Front Drawer x2
- 6** Side Drawer Left x2
- 7** Side Drawer Right x2
- 8** Back Drawer x2
- 9** Bottom Drawer x2



# Step 3

## HARDWARE

- I** Screw M 3.5 x 13 mm      x12
- K** Wedge      x8
- L** Screw M 3.5 x 15.5 mm      x8
- RM30A** Drawer Runner      x2



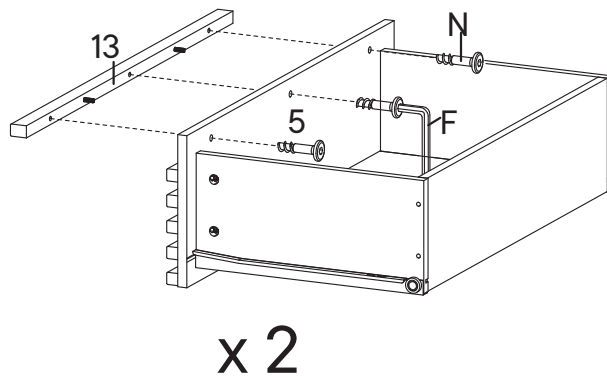
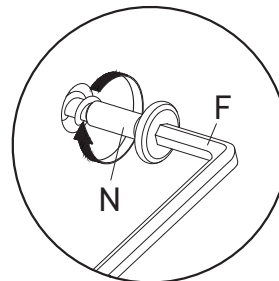
# Step 4

## HARDWARE

- F** Allen Key      x1
- N** Screw M 6.4 x 25 mm      x6

## COMPONENTS

- 13** Handle      x2



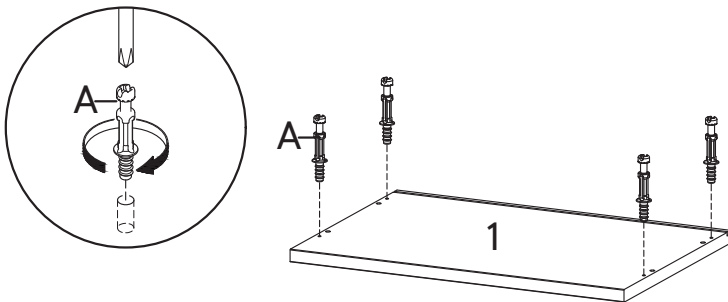
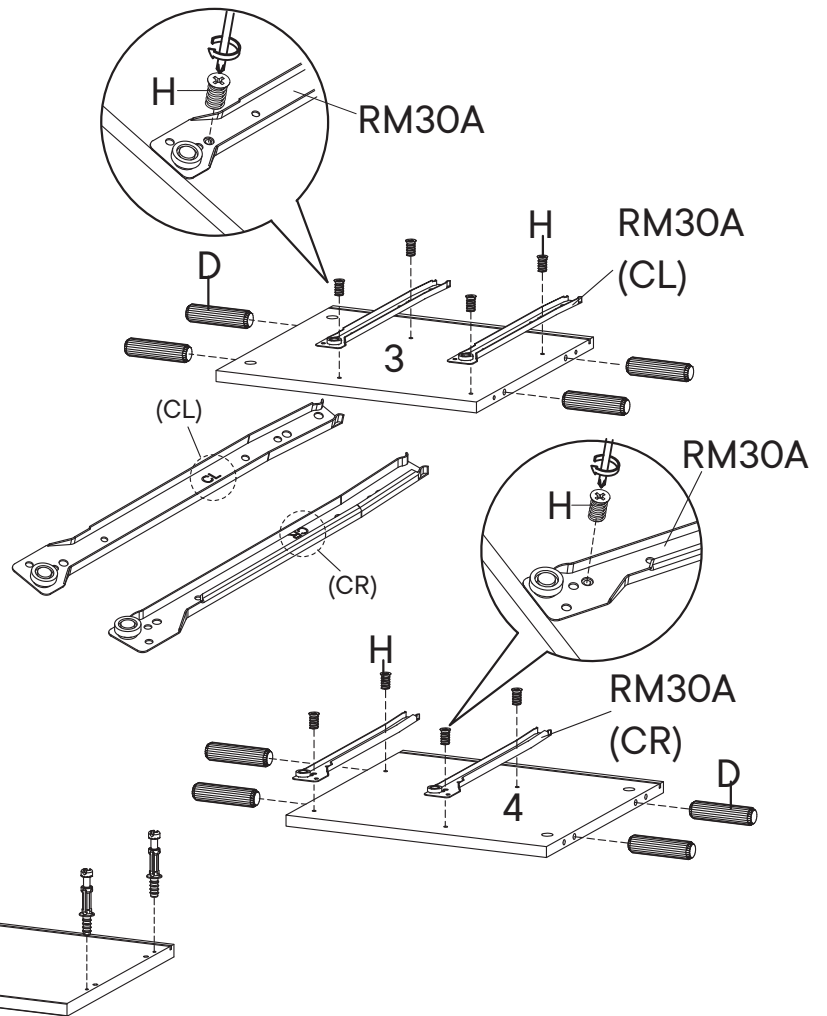
# Step 5

## HARDWARE

- A** Cam Bolt Ø6 x 35 mm x4
- D** Wood Dowel Ø8 x 30 mm x8
- H** Screw M 6 x 10.5 mm x8
- RM30A** Drawer Runner x2

## COMPONENTS

- 1** Top Board x1
- 3** Side Board Left x1
- 4** Side Board Right x1



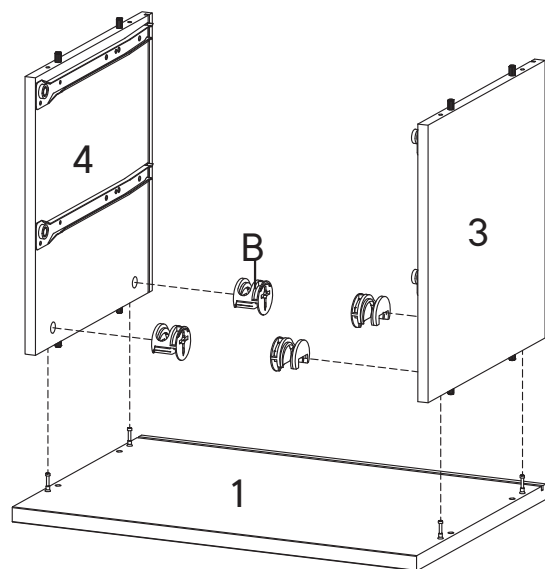
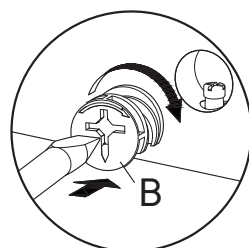
# Step 6

## HARDWARE

- B** Cam Lock Ø15 mm x4

## COMPONENTS

- 1** Top Board x1
- 3** Side Board Left x1
- 4** Side Board Right x1



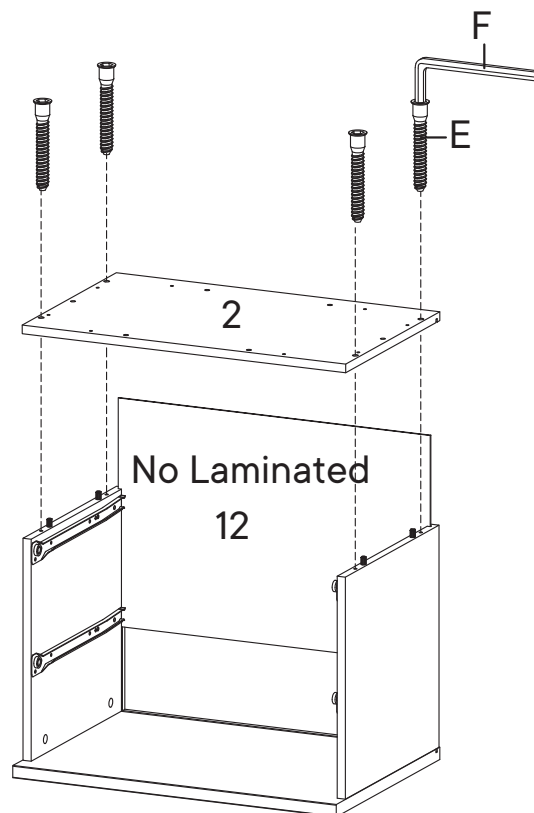
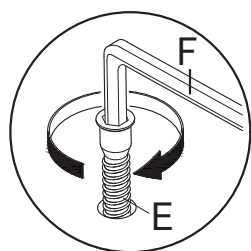
# Step 7

## HARDWARE

- E** Screw M 7 x 50 mm x4
- F** Allen Key x1

## COMPONENTS

- 2** Bottom Board x1
- 12** Back Board x1



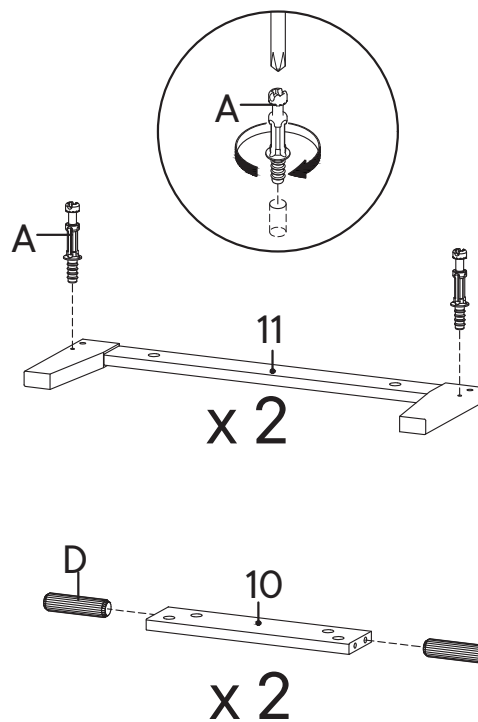
# Step 8

## HARDWARE

- A** Cam Bolt  $\varnothing 6 \times 35$  mm x4
- D** Wood Dowel  $\varnothing 8 \times 30$  mm x4

## COMPONENTS

- 10** Bottom Skirt x2
- 11** Assembly Leg x2



## Step 9

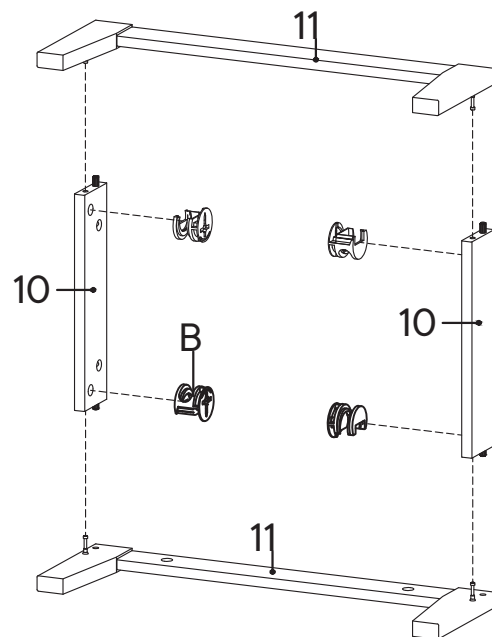
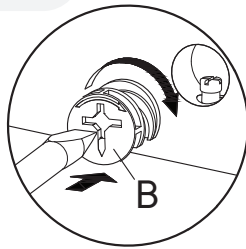
### HARDWARE

**B** Cam Lock  $\varnothing 15$  mm x4

### COMPONENTS

**10** Bottom Skirt x2

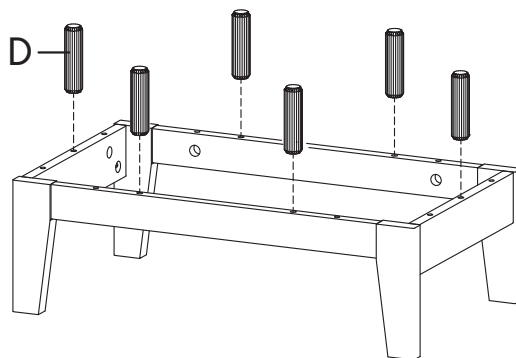
**11** Assembly Leg x2



## Step 10

### HARDWARE

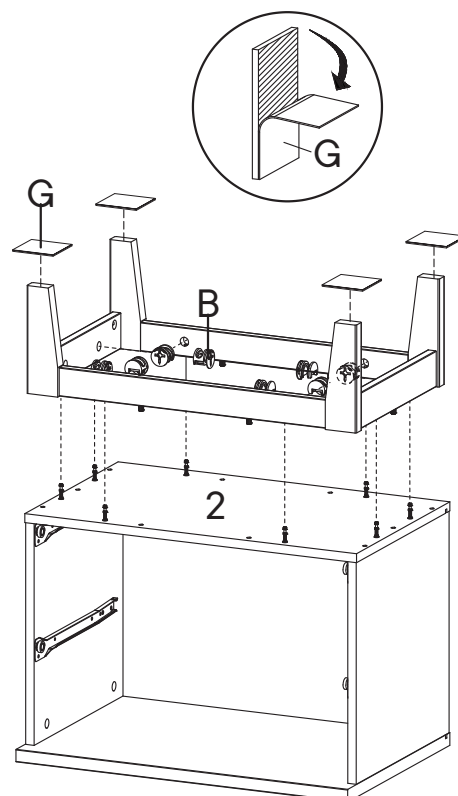
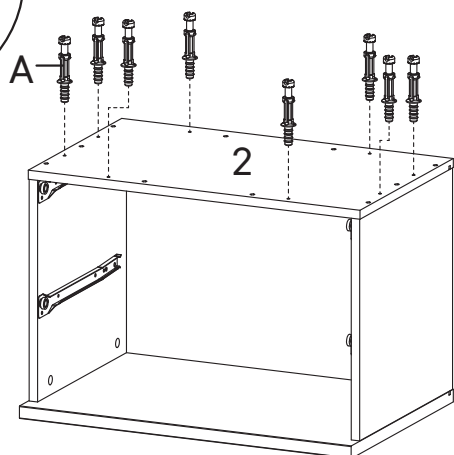
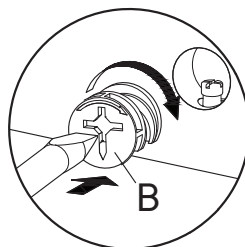
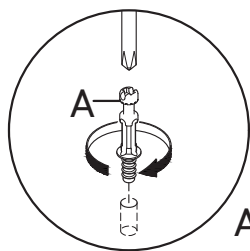
**D** Wood Dowel  $\varnothing 8 \times 30$  mm x6



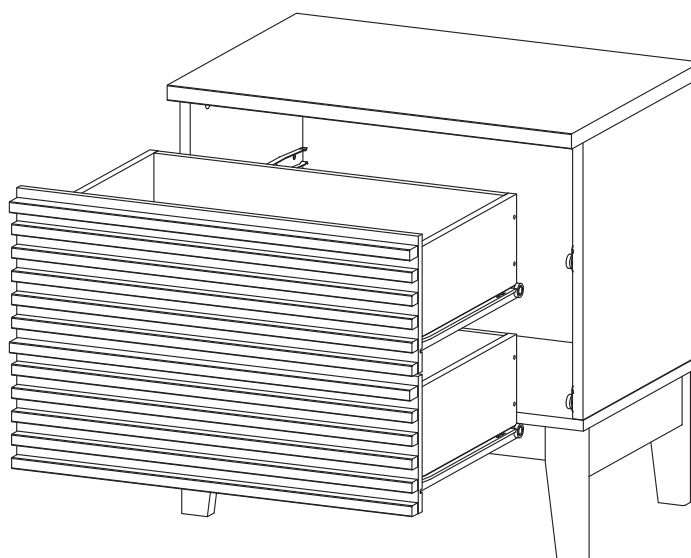
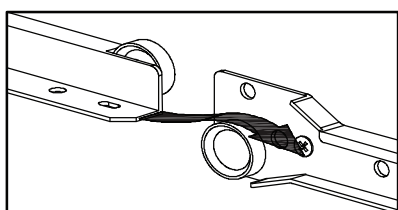
# Step 11

## HARDWARE

- A** Cam Bolt  $\varnothing 6 \times 35$  mm x8
- B** Cam Lock  $\varnothing 15$  mm x8
- G** Floor Protector x4



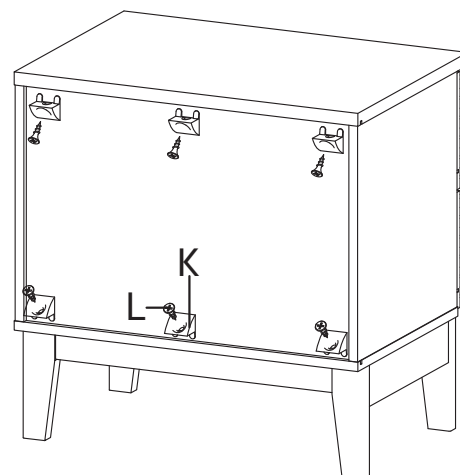
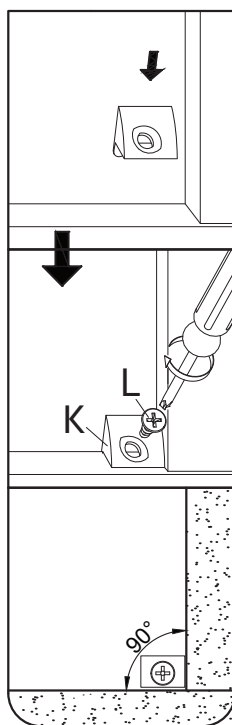
# Step 12



# Step 13

## HARDWARE

- K** Wedge x6
- L** Screw M 3.5 x 15.5 mm x6



## Great job!

Nightstand assembly is complete.

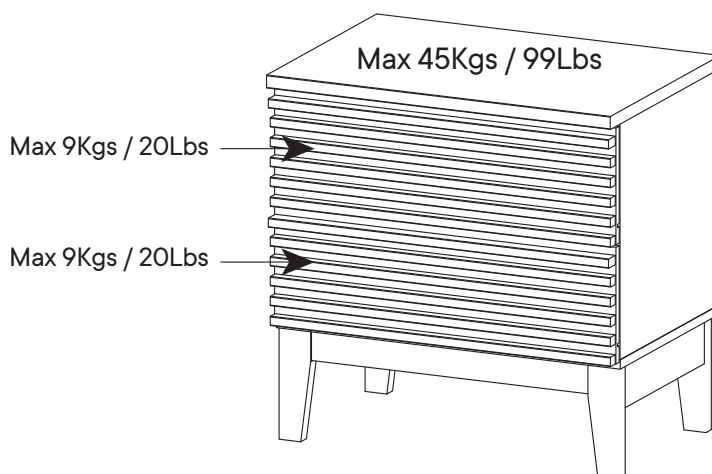
### ♥ CARING FOR YOUR ITEM

Indoor use only.

Not contract grade.

Clean using a non-abrasive cloth and a mild cleaner.

Never use harsh chemicals, as they could damage the finish or integrity of the item.



### CONNECT WITH US!

Tag us @modway\_furniture and #modway for a chance to be featured.