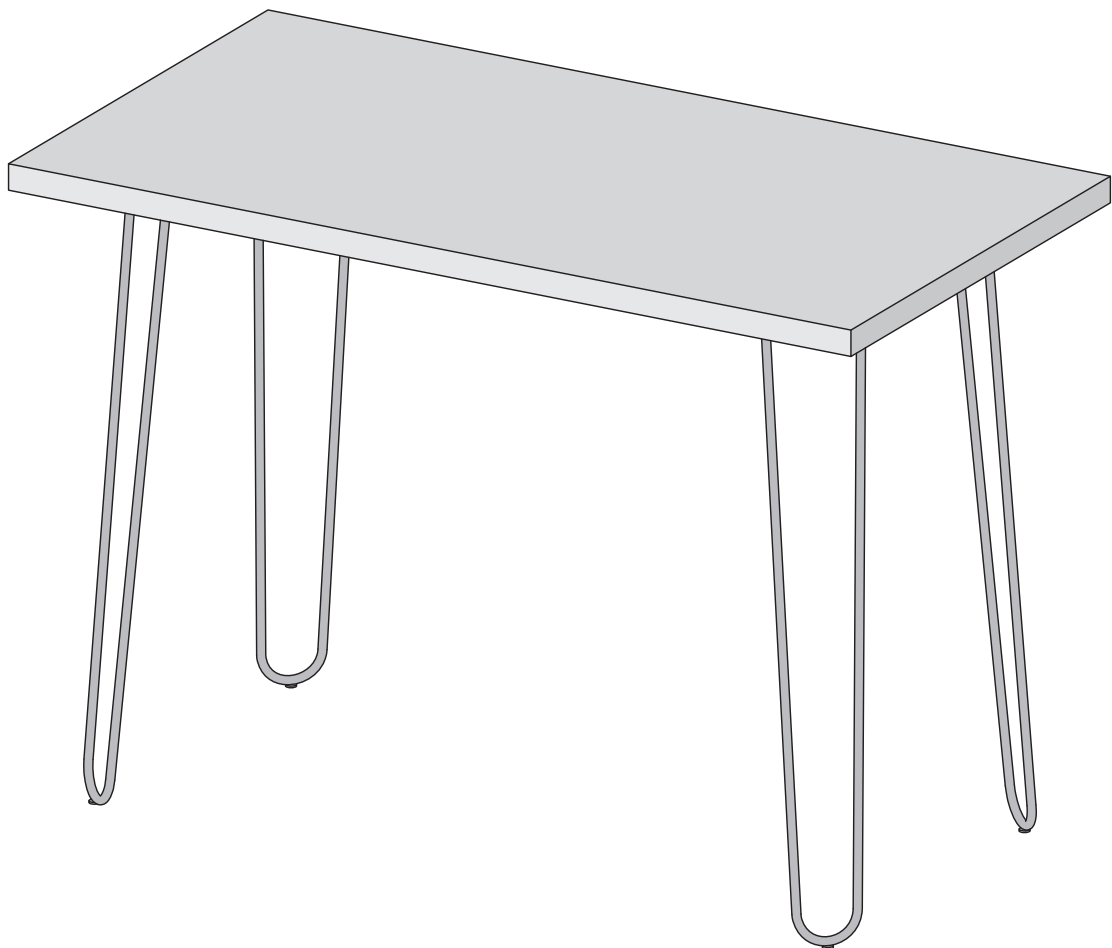


**W** Walker<sup>®</sup>  
Edison  
furniture company

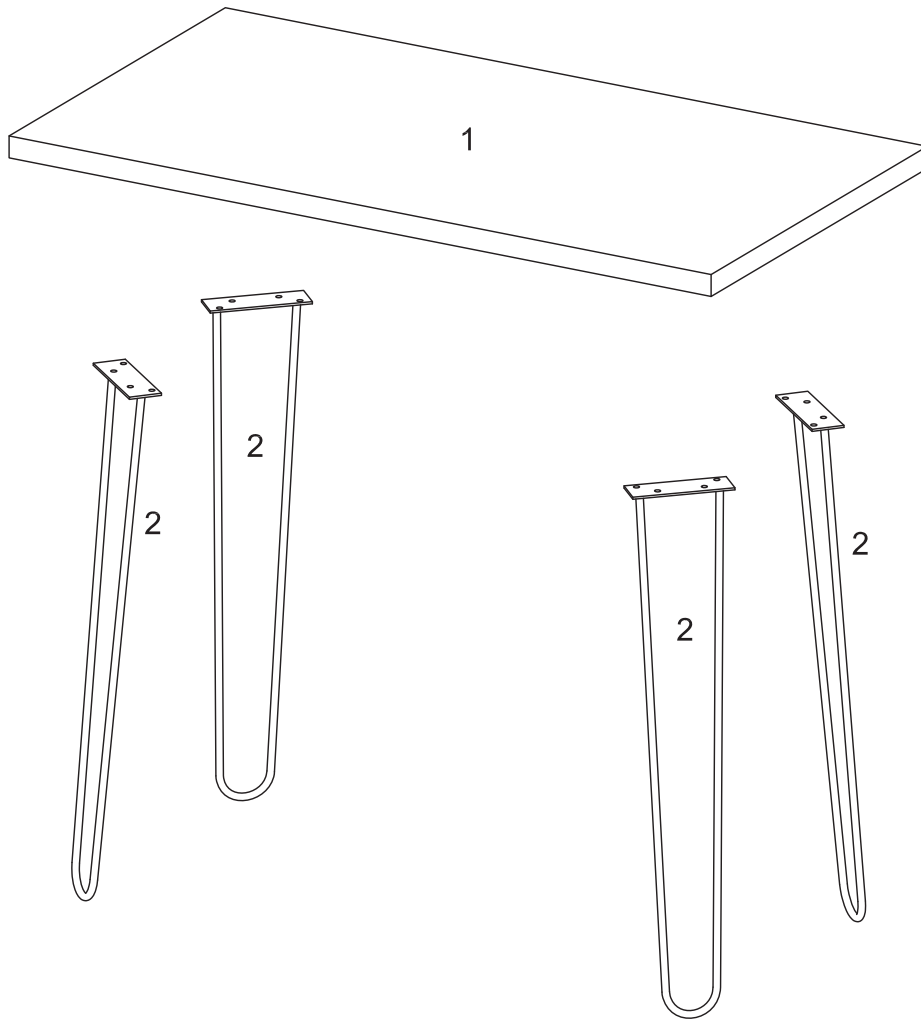
Item # : D42HPWD  
Assembly Instructions




*For the most current instructions, additional assembly tips, to report damage or request parts,  
please visit our website at [www.walkeredison.com](http://www.walkeredison.com).*

Revised 03/2017

# Parts List

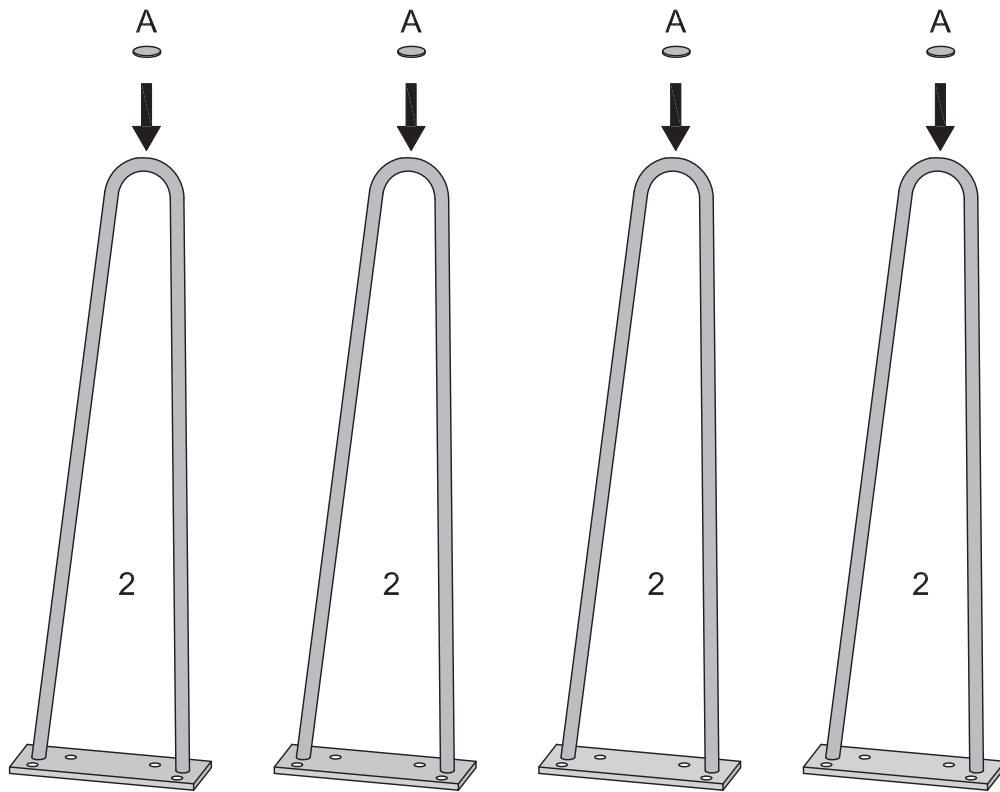


# Parts List

|   |   |         |            |        |
|---|---|---------|------------|--------|
| A |  | Ø16*2mm | Sponge pad | 4 pcs  |
| B |  | Ø6*15mm | Bolt       | 16 pcs |
| C |  | M4mm    | Wrench     | 1 pc   |

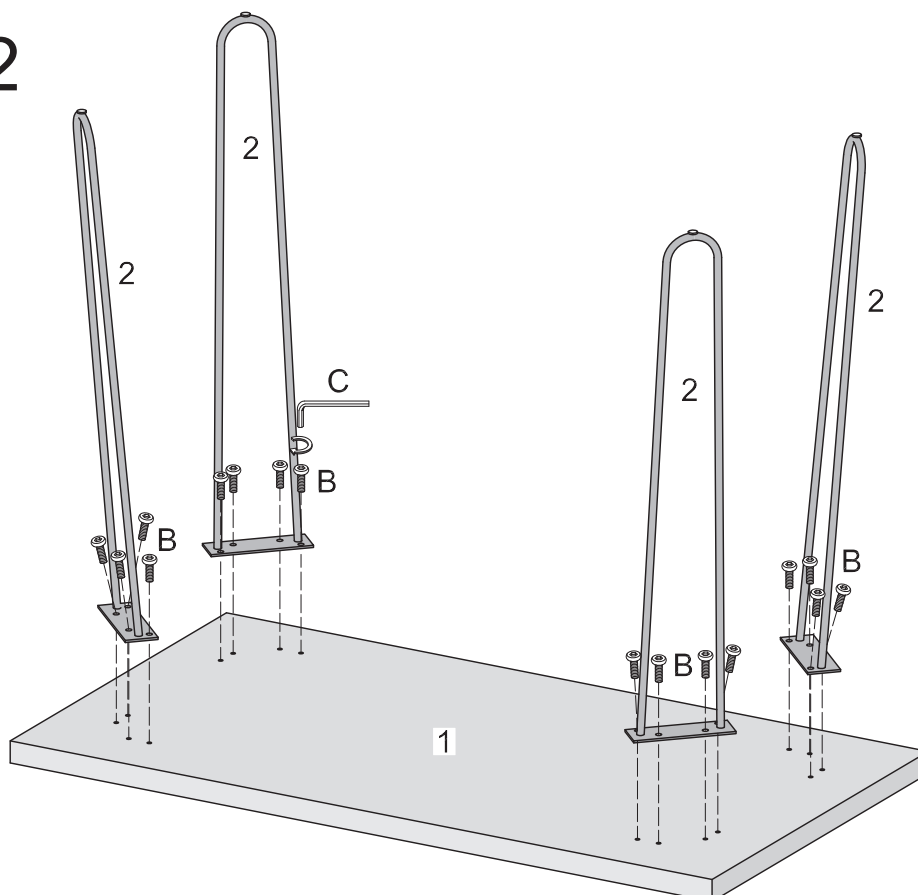
*The hardware quantities listed above are required for proper assembly.  
Some extra hardware may also have been included.*

# Step 1



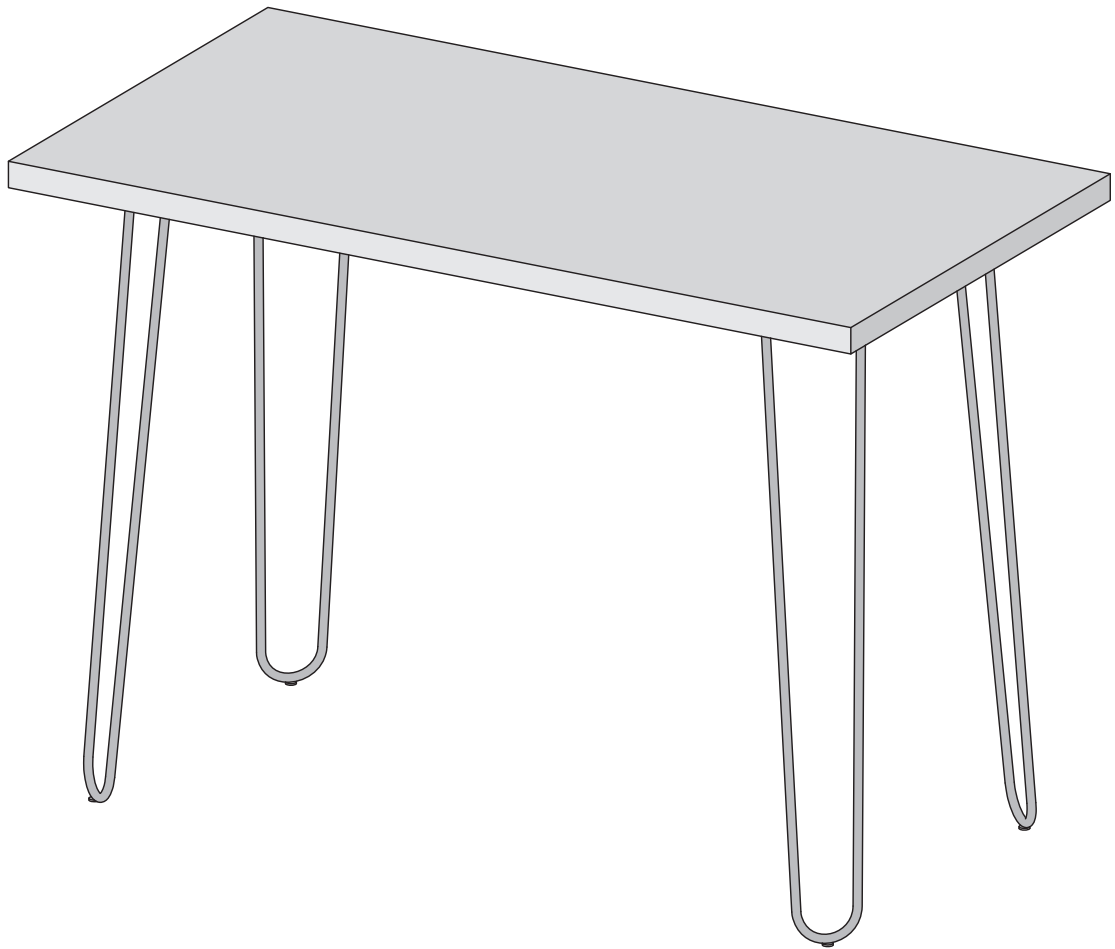
Stick the sponge pad (A) to the metal leg (2) as per diagram.

# Step 2



Use wrench (C), bolt (B) to secure the metal leg (2) to the table top (1).

# Step 3



Final Asembly