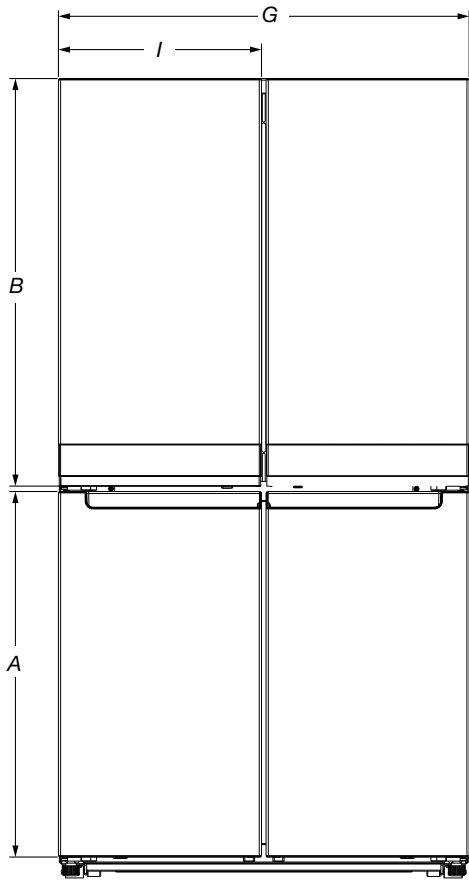
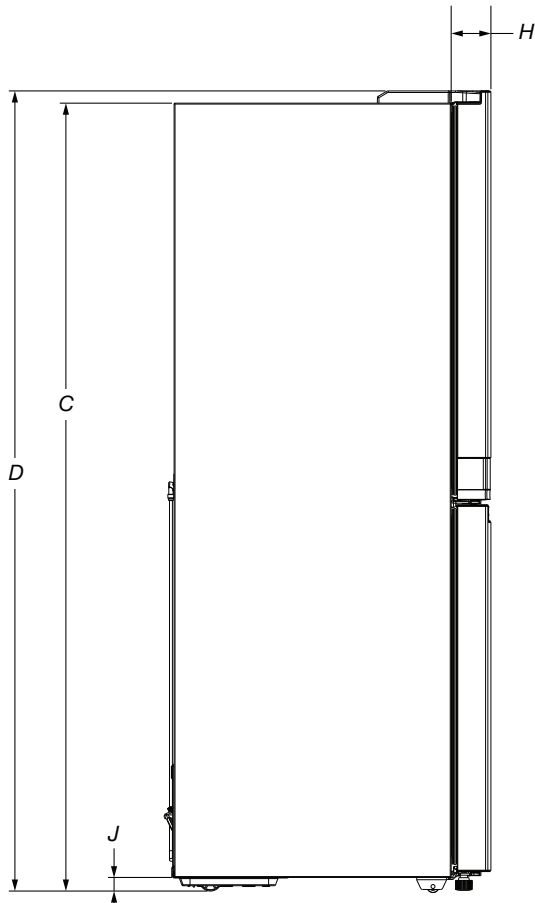


### PRODUCT DIMENSIONS

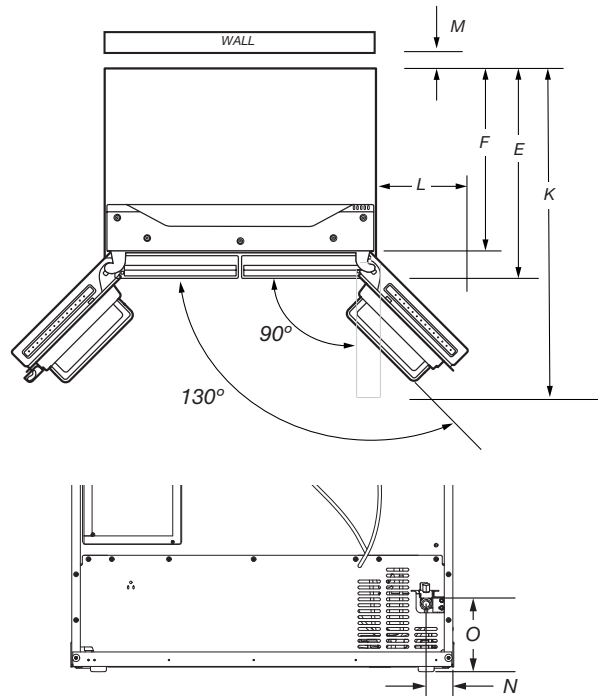


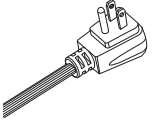
DIMENSION	DESCRIPTION	
A	Freezer door height	31 <sup>7</sup> / <sub>8</sub> " (809 mm)
B	Refrigerator door height	35 <sup>1</sup> / <sub>2</sub> " (902 mm)
C*	Height of recessed refrigerator	68 <sup>1</sup> / <sub>2</sub> " (1739 mm)
D*	Height of top of hinges	69 <sup>1</sup> / <sub>2</sub> " (1766 mm)
E	Depth with doors	28 <sup>3</sup> / <sub>8</sub> " (720.7 mm)
F	Depth without doors	24 <sup>7</sup> / <sub>8</sub> " (631.8 mm)
G	Cabinet width	35 <sup>3</sup> / <sub>4</sub> " (90.9 cm)
H	Doors thickness	3 <sup>1</sup> / <sub>2</sub> " (87.5 mm)
I	Doors width	17 <sup>3</sup> / <sub>4</sub> " (449 mm)
J*	Height of the cabinet wheels	1 <sup>1</sup> / <sub>4</sub> " (30 mm)
K	Depth with doors open 90°	14 <sup>5</sup> / <sub>8</sub> " (1082.7 mm)
L	Width of door fully open 130°	31 <sup>3</sup> / <sub>4</sub> " (806.4 mm)
M	Space required for water lines and power chord	2" (50.8 mm)
N	Water line location distance from side	2 <sup>1</sup> / <sub>2</sub> " (63.5 mm)
O	Water line location distance from bottom	6 <sup>7</sup> / <sub>8</sub> " (174.6 mm)

\*Add 1/2" (1.9 cm) to height dimension when leveling legs are fully extended.



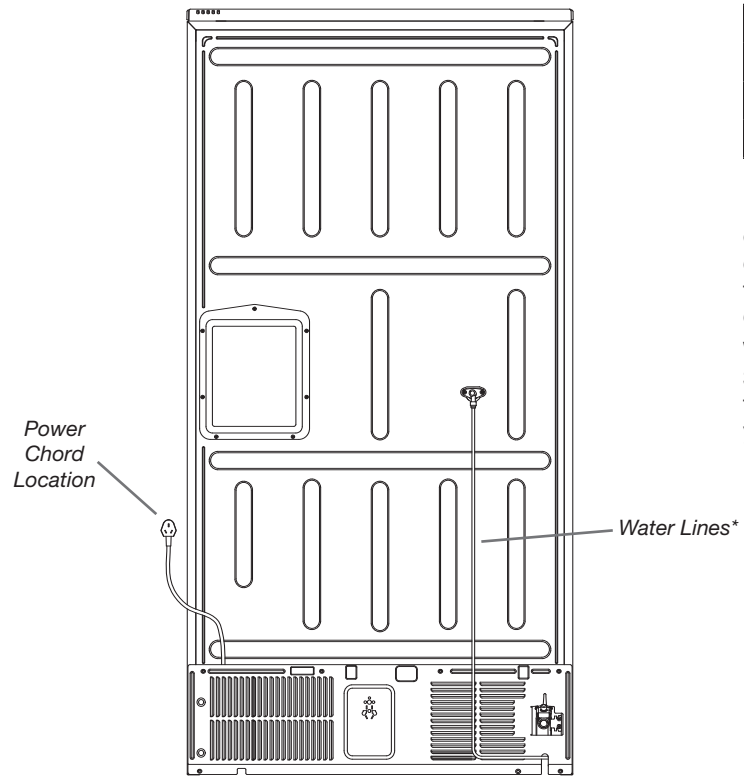
Interior Dimensions	Width	Height
Refrigerator Compartment	31 <sup>1</sup> / <sub>2</sub> " (802 mm)	31" (788 mm)
Freezer Compartment and Convertible Compartment	14 <sup>3</sup> / <sub>16</sub> " (360.4 mm)	28" (711.2 mm)



	Power Chord		
	Type	Length	
		inches	mm
Standard	75 <sup>5</sup> / <sub>8</sub>	1920	

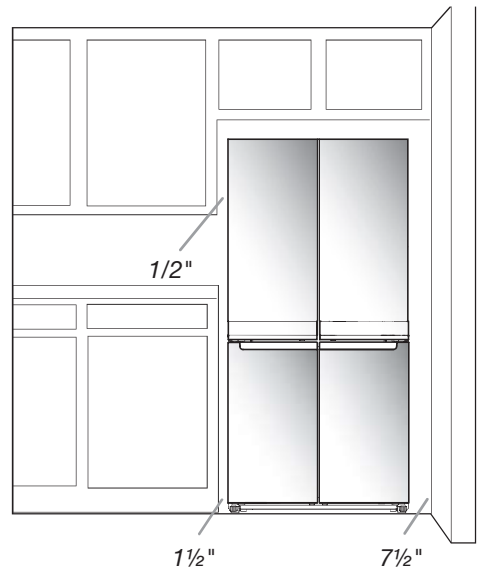
**Electrical:** A 115 V, 60 Hz, AC only, 15 A or 20 A fused, grounded electrical supply is required. It is recommended that a separate circuit serving only your refrigerator be provided. Use an outlet that cannot be turned off by a switch. Do not use an extension cord.

**Water:** A cold water supply with water pressure of between 30 psi and 120 psi (207 kPa and 827 kPa) is required to operate the water dispenser and ice maker. If you have questions about your water pressure, call a licensed, qualified plumber.



\*Water lines are not foamed in and are external.

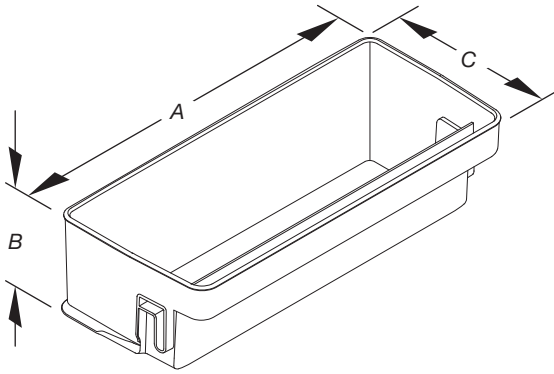
## LOCATION REQUIREMENT



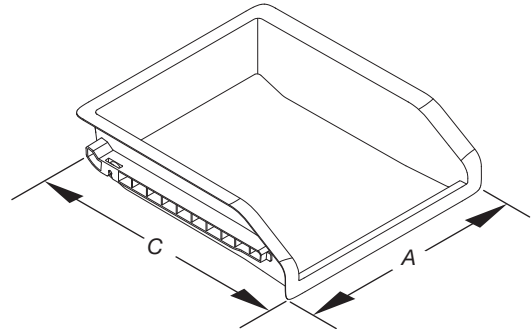
To ensure proper ventilation for your refrigerator, allow for a 1/2" space on each side and at the top. Allow for a 1.97" space behind the refrigerator. If your refrigerator has an ice maker, allow extra space at the back for the water line connections. When installing your refrigerator next to a fixed wall, leave a 3.74" minimum space between the refrigerator and wall to allow the door to swing open.

**NOTE:** This refrigerator is intended for use in a location where the temperature ranges from a minimum of 50°F (10°C) to a maximum of 110° F (43°C). The preferred room temperature range for optimum performance, which reduces electricity usage and provides superior cooling, is between 60° F (15°C) and 90° F (32°C). It is recommended that you do not install the refrigerator near a heat source, such as an oven or radiator.

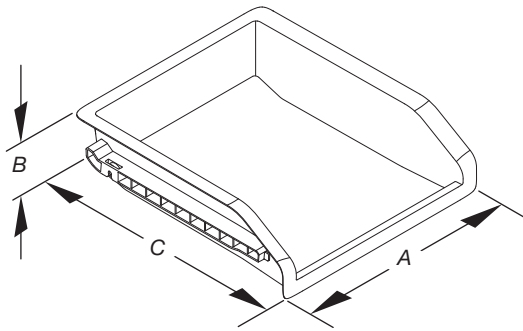
\*Space from a side wall required to open the door at 118° and open the drawers and trays inside the bottom compartments.



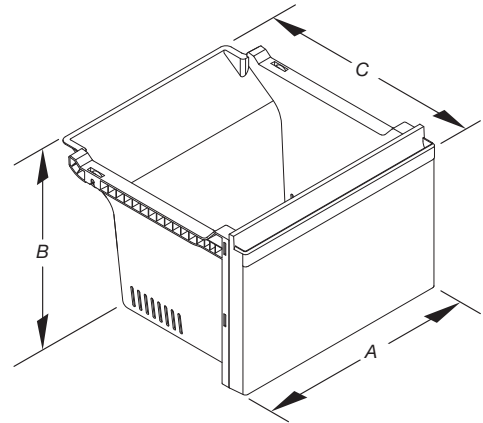
Refrigerator Crisper Pan



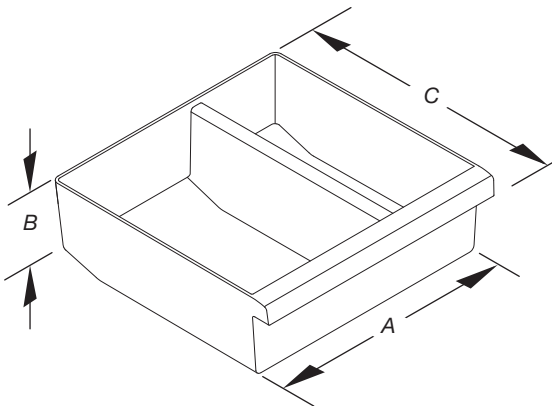
Full Width Shelf



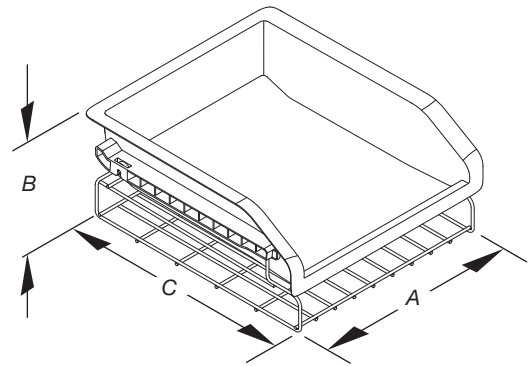
Pull Out Freezer Shelf



Freezer Drawer



Ice Bin



Full Width Removable Rack

Refrigerator Compartment Features			
Description	A (width)	B (height)	C (depth)
Refrigerator Crisper Pan	15½" (393.7 mm)	6 <sup>7</sup> / <sub>8</sub> " (175 mm)	12 <sup>7</sup> / <sub>8</sub> " (327 mm)
Full Width Shelf	31 <sup>3</sup> / <sub>8</sub> " (797 mm)	NA	14" (356 mm)
Pull Out Freezer Shelf	9¾" (248 mm)	4" (101.6 mm)	13½" (343 mm)
Freezer Drawer	9¾" (248 mm)	7" (178 mm)	13½" (343 mm)
Ice Bin	11 <sup>7</sup> / <sub>8</sub> " (302 mm)	3¾" (95 mm)	11 <sup>7</sup> / <sub>16</sub> " (290 mm)
Full Width Removable Rack	12¾" (324 mm)	5" (127 mm)	15¼" (387 mm)