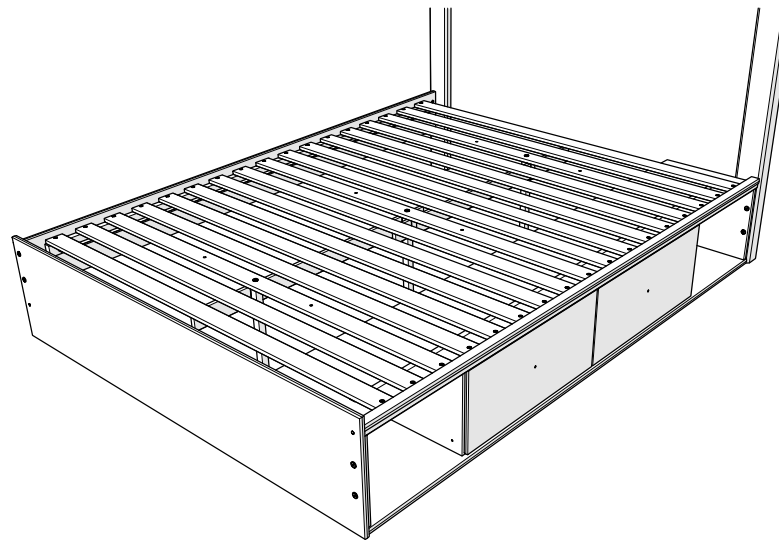


ASSEMBLY INSTRUCTIONS FOR: COMPLETE BED WITH SIDE STORAGE

SIGNATURE DESIGN BY **ASHLEY®**



Scan Code for
Video Tutorial

WATCH NOW

Life doesn't come with
instructions, but this does

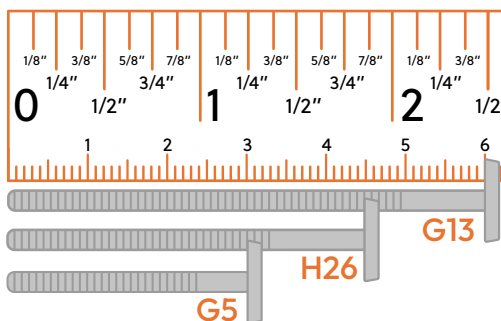
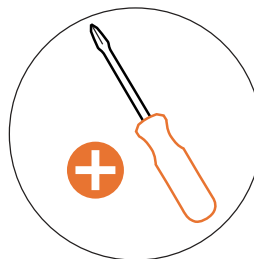
PART # 10528205 (04/29/26)

HARDWARE



BUST OUT

REQUIRED TOOL



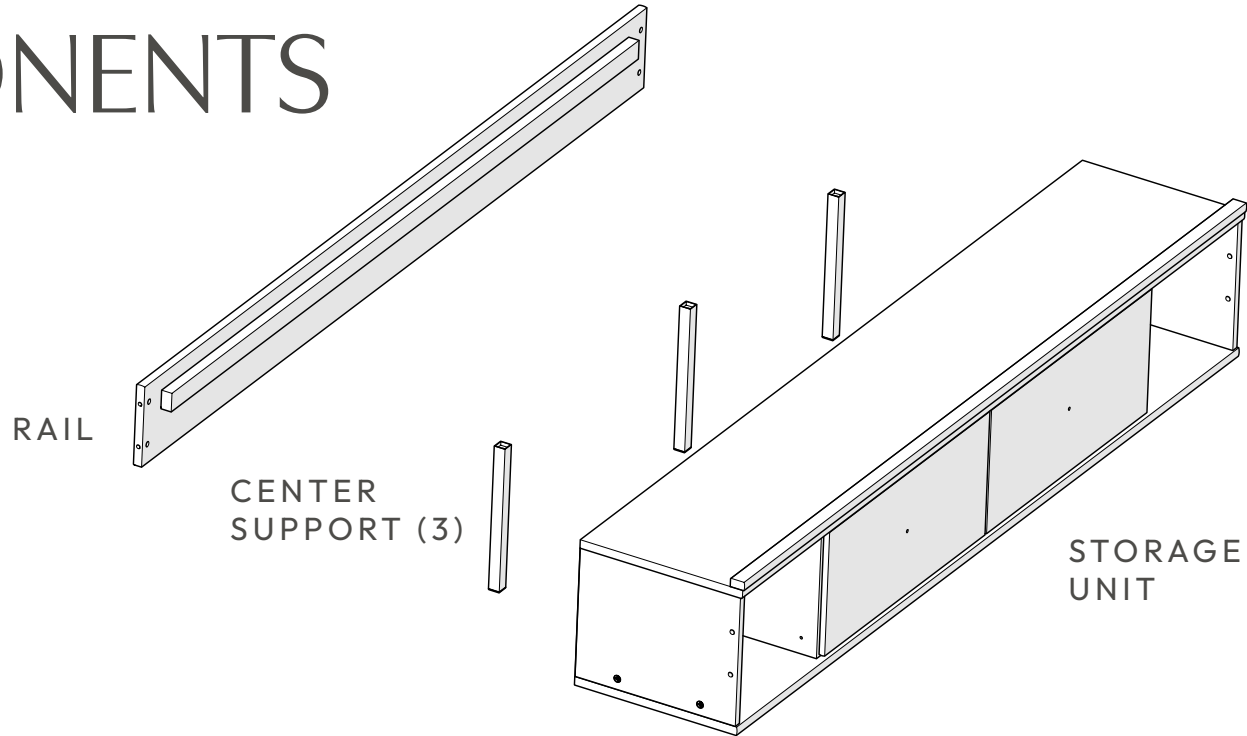
This bag contains small parts that present a choking hazard for children under 3 years of age. These parts are for adult assembly only and should be permanently affixed to the furniture. Any unused parts should be discarded properly.

Esta bolsa contiene piezas pequeñas que presentan un peligro de asfixia. para niños menores de 3 años. Estas piezas son para adultos. montaje solamente y debe fijarse permanentemente a la muebles. Las piezas no utilizadas deben desecharse correctamente.

Ce sac contient de petites pièces qui présentent un risque d'étouffement pour les enfants de moins de 3 ans. Ces pièces sont pour adultes montage uniquement et doit être fixé de façon permanente au meubles. Toutes les pièces inutilisées doivent être jetées correctement.

Deze tas bevat kleine onderdelen die verstikkingsgevaar opleveren voor kinderen onder de 3 jaar. Deze onderdelen zijn voor volwassen montage alleen en moet permanent worden bevestigd aan de meubilair. Alle ongebruikte onderdelen moeten op de juiste manier worden weggegooid.

COMPONENTS



HARDWARE AND COMPONENTS NEEDED ON THIS PAGE:

G6 15 MM JOINT CONNECTOR



G7 END JOINT CONNECTOR

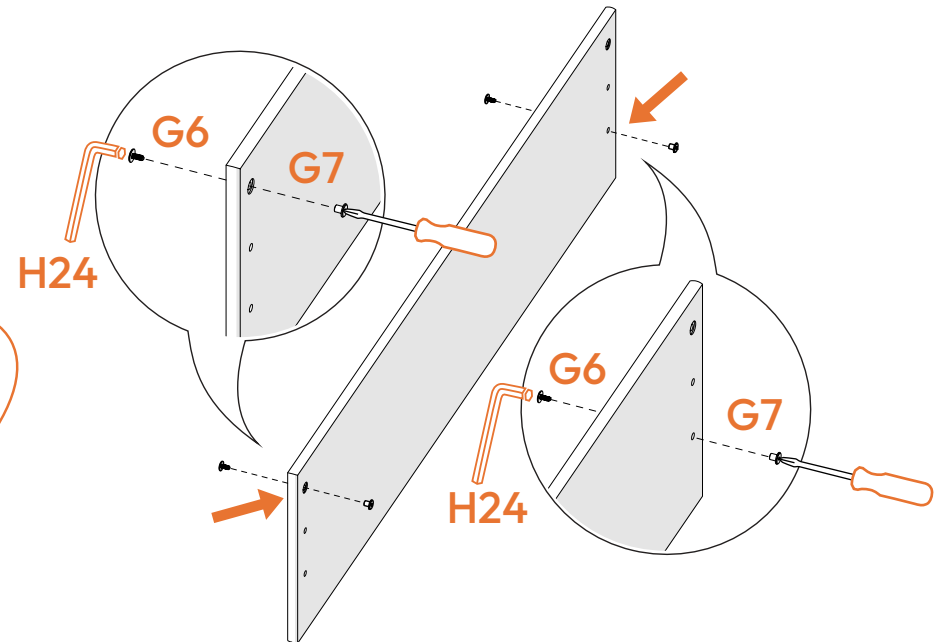
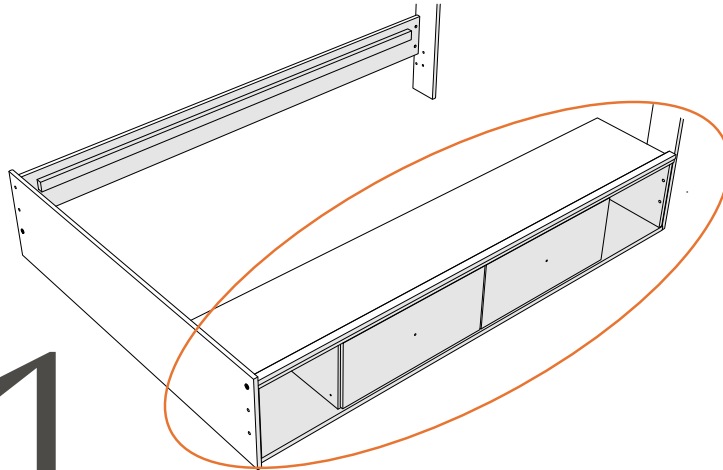


H24 ALLEN WRENCH



FOOTBOARD x1

Option A Right Side Storage



HARDWARE AND COMPONENTS NEEDED ON THIS PAGE:

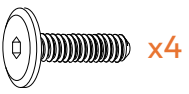
G6 15 MM JOINT CONNECTOR



G7 END JOINT CONNECTOR



G5 30 MM JOINT CONNECTOR



G30 END JOINT CONNECTOR



H24 ALLEN WRENCH

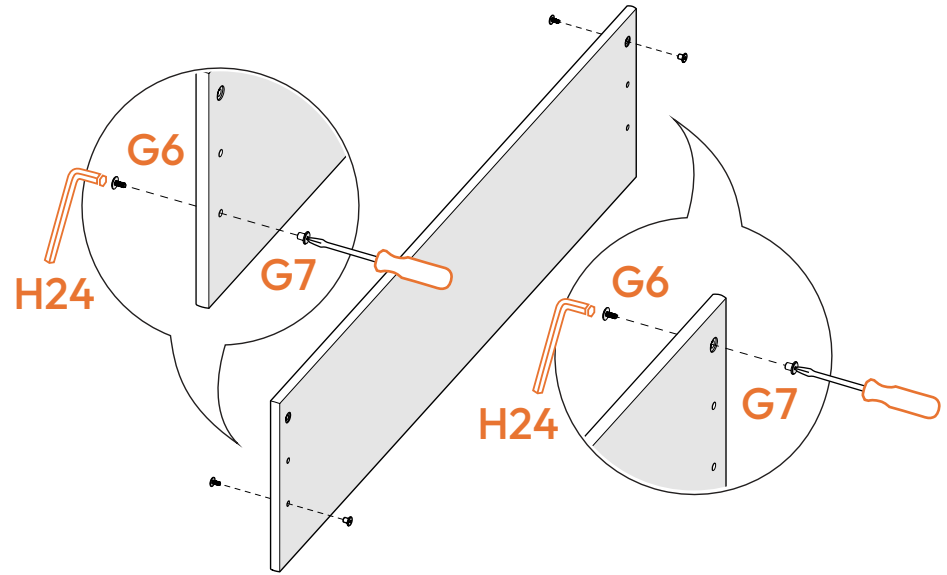
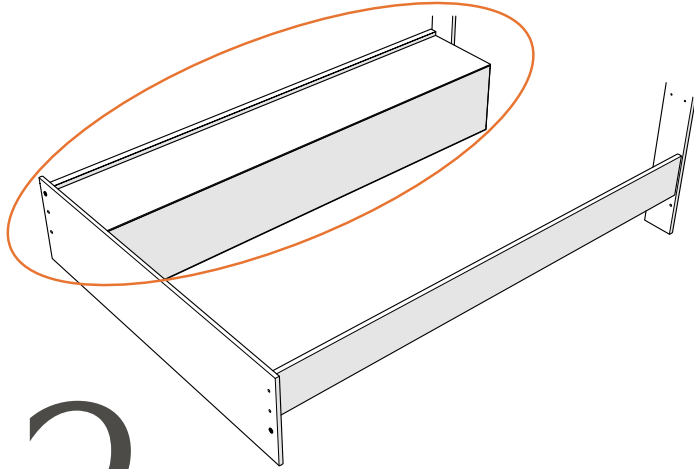


FOOTBOARD x1

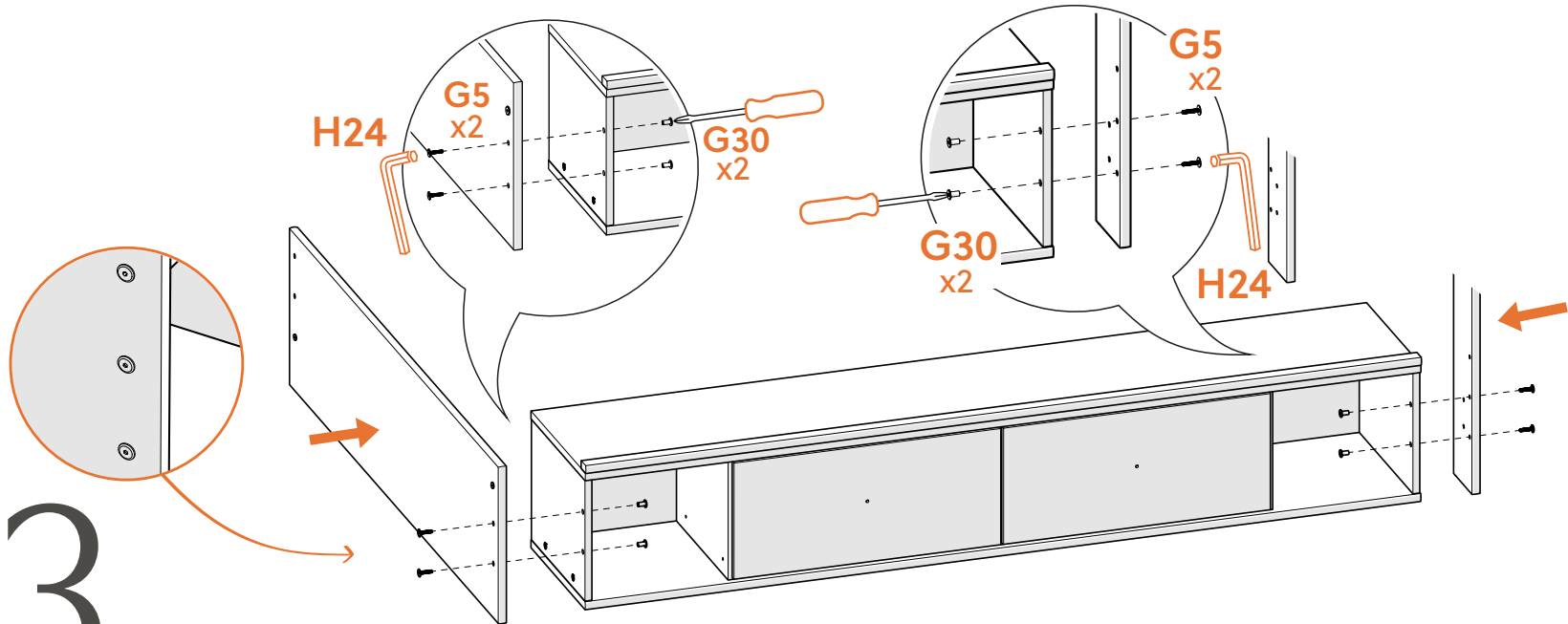
STORAGE UNIT x1

HEADBOARD x1

Option B Left Side Storage



2



3

HARDWARE AND COMPONENTS NEEDED ON THIS PAGE:

G18 CROSS DOWEL



G13 60 MM JOINT CONNECTOR



H26 45 MM JOINT CONNECTOR



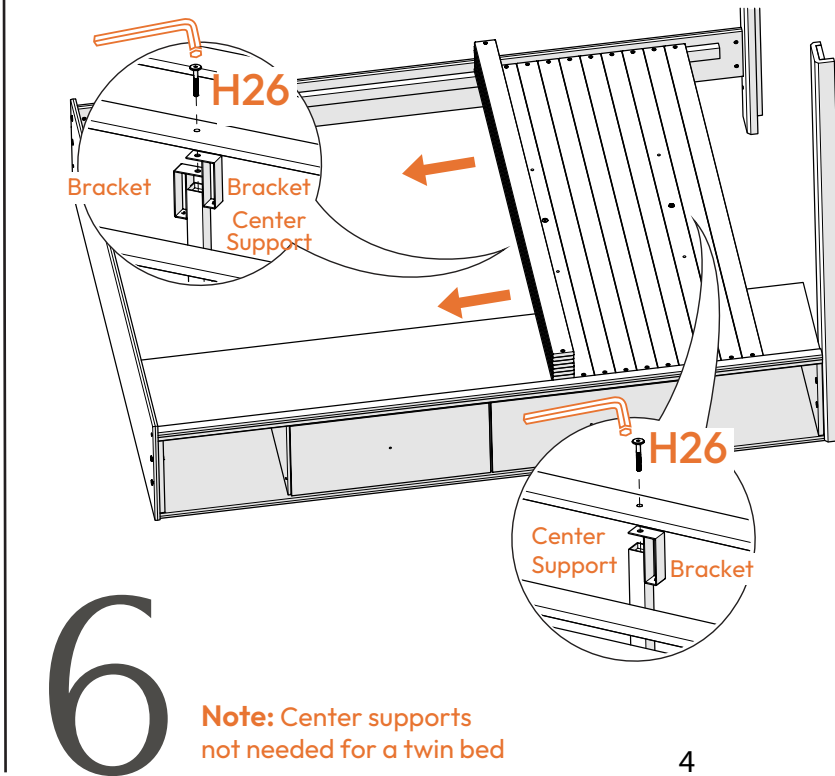
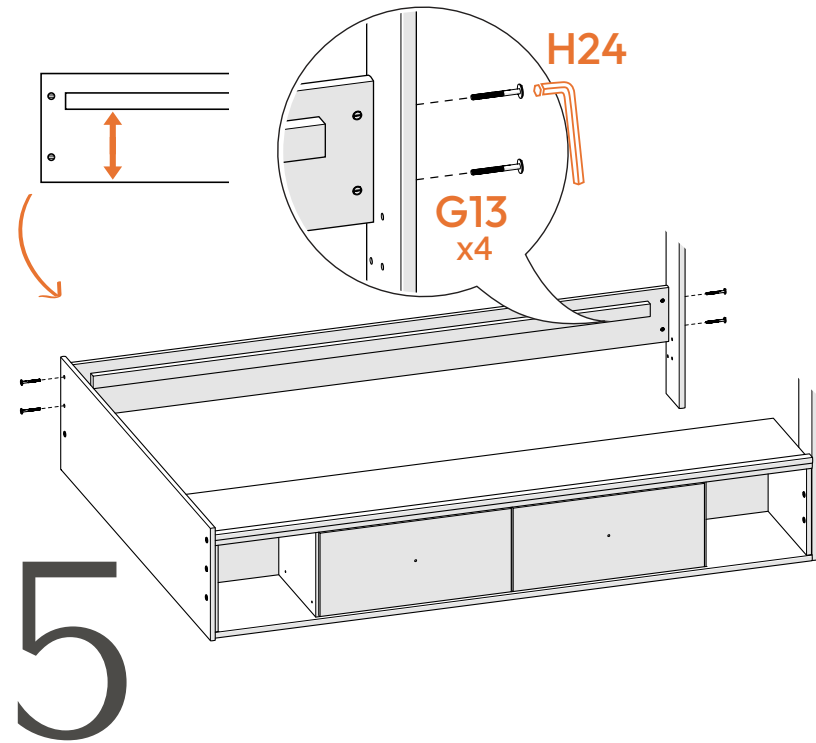
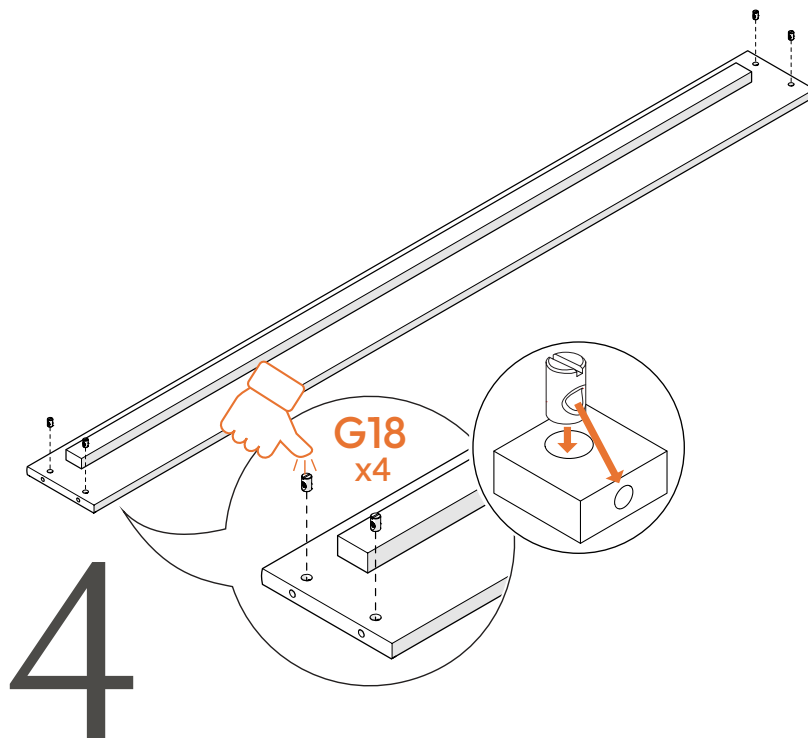
RAIL x1

ROLL SLAT x1

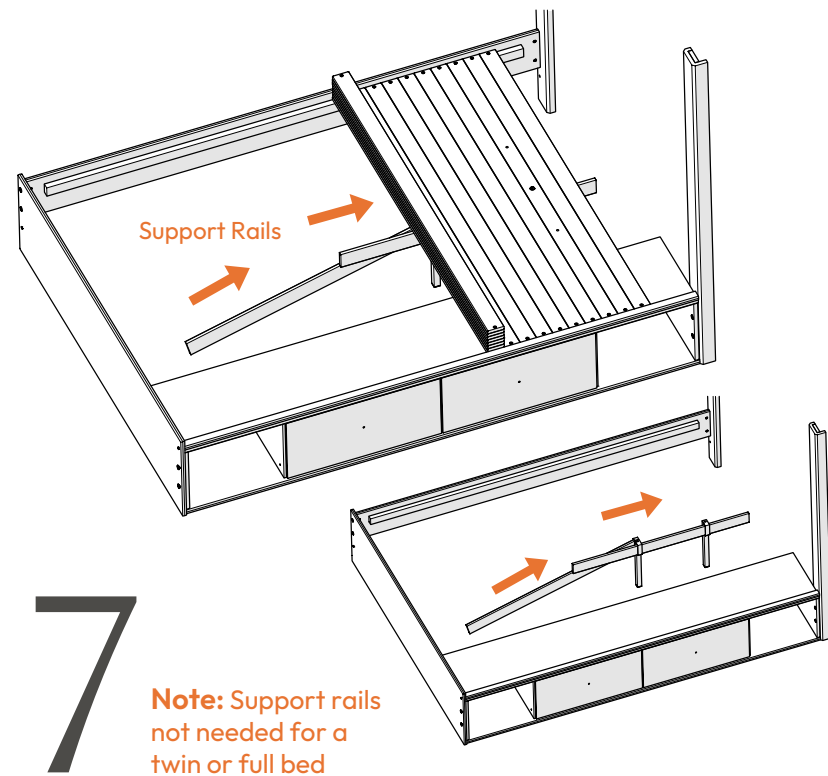
CENTER SUPPORT x2

BRACKET x3

SUPPORT RAILS x2



Note: Center supports not needed for a twin bed



Note: Support rails not needed for a twin or full bed

HARDWARE AND COMPONENTS NEEDED ON THIS PAGE:

H26 45 MM JOINT CONNECTOR



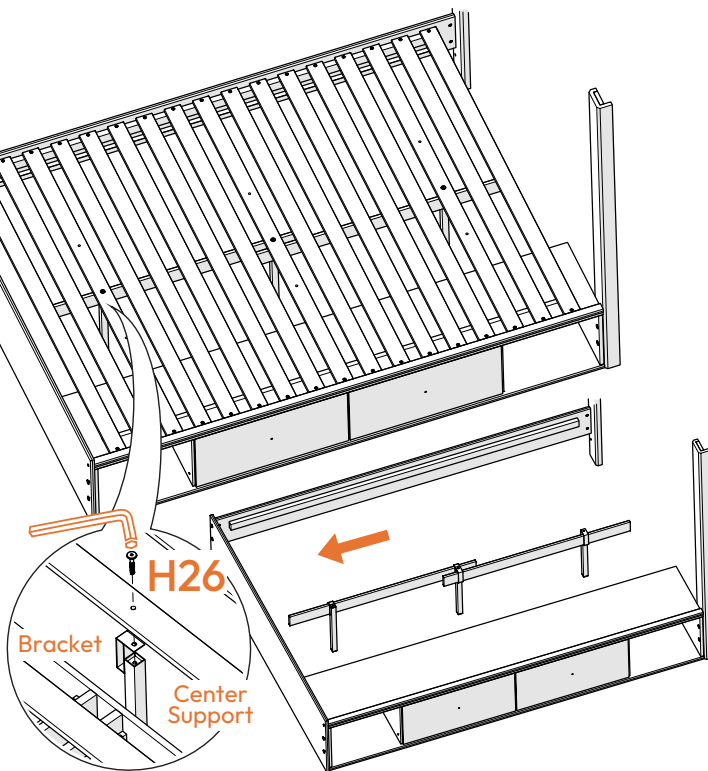
G42 SCREW



CENTER SUPPORT x1

BRACKET x1

8



9

