



## NEW 24"/30"W. INTEGRATED WINE CELLAR

FDWCIC

### PROFESSIONAL FEATURES

- **30" Model** – 12 beech natural wood front shelves store 108 bottles
  - 54 in Upper Compartment
  - 54 in Lower Compartment
- **24" Model** – 12 beech natural wood front shelves store 72 bottles
  - 36 in Upper Compartment
  - 36 in Lower Compartment
- Uniform air circulation maintains consistent temperatures throughout
- Two independent zones with dedicated evaporators
- Extremely quiet compressor with electronic controls
  - Maintains temperature to within 1°F
- Triple-Pane Bronzed Glass Door protects from harmful UV rays
- Temperature Range: 39°F (4°C) to 64°F (18°C)
- Humidity control for enhanced wine preservation
- Two active carbon filters
- Easy user interaction allows for personalization of the settings
- Energy-efficient LED lighting enhances visibility
- Stainless steel backwall

### DESIGN FEATURES

- *Patented Double Pivot Hinge* has three-dimensional adjustability for a perfect fit in integrated installations
- Hinge damper allows for smoothness when opening and closing door
- Unit is custom panel ready to accept matching cabinetry panels or the Viking Professional and RVL Door Panel Kits



**FDWCIC7240R**  
(shown with custom panel)

### MODEL NUMBERS

- FDWCIC7300L – 30"W. Integrated Wine Column, Custom Panel; Left Hinge
- FDWCIC7300R – 30"W. Integrated Wine Column, Custom Panel; Right Hinge
- FDWCIC7240L – 24"W. Integrated Wine Column, Custom Panel; Left Hinge
- FDWCIC7240R – 24"W. Integrated Wine Column, Custom Panel; Right Hinge

### ACCESSORIES

- PHK528-SS – Professional Stainless Steel handle (1 piece/28")

### WARRANTY

- 2-year full covers complete unit
- 6-year full – sealed refrigeration system
- 90-day full – cosmetic parts such as glass, painted items, and decorative items
- 12-year limited – sealed refrigeration system



# NEW 24"/30"W. INTEGRATED WINE CELLAR

FDWCIC

## PROFESSIONAL DOOR PANEL KITS

- VI730WDPL\* – 30"W. Integrated Wine Cellar Door Panel Kit with Handle, Left Hinge
- VI730WDPR\* – 30"W. Integrated Wine Cellar Door Panel Kit with Handle, Right Hinge
- VI724WDPL\* – 24"W. Integrated Wine Cellar Door Panel Kit with Handle, Left Hinge
- VI724WDPR\* – 24"W. Integrated Wine Cellar Door Panel Kit with Handle, Right Hinge

## DOOR PANEL COLOR FINISHES\*

- Stainless Steel (SS)



- Available in 18 Exclusive Color Finishes: Antique Bronze (AN), Blush (BH), Cast Black (CS), Daffodil (DA), Damascus Gray (DG), Eucalyptus (EU), Golden Hour (GH), Ivy (IV), Martini (MA), Nantucket (NA), November Sky (NS), Onyx (ON), Pure White (PW), Slate Blue (SB), Spiced Cider (SC), Splash (SP), Squall (SQ), and Valentine (VA)



## RVL DOOR PANEL KITS

- MVI630WDPLSS\*\* – 30"W. Integrated Wine Cellar Door Panel, RVL Stainless Steel, Left Hinge
- MVI630WDPRSS\*\* – 30"W. Integrated Wine Cellar Door Panel, RVL Stainless Steel, Right Hinge
- MVI624WDPLSS\*\* – 24"W. Integrated Wine Cellar Door Panel, RVL Stainless Steel, Left Hinge
- MVI624WDPRSS\*\* – 24"W. Integrated Wine Cellar Door Panel, RVL Stainless Steel, Right Hinge

## RVL DOOR PANEL FINISHES\*\*

- Stainless Steel (SS)



## 24" AND 30"W. INTEGRATED WINE CELLAR

DESCRIPTION	FDWCIC7240	FDWCIC7300
Overall Width	23-7/8 (60.8 cm)	29-7/8" (76.0 cm)
Overall Height	83-1/2" (212.1 cm) min. to 84-1/2" (214.6 cm) max.	
Overall Depth from Rear	To front edge of side trim: 22" (56.0 cm) To front of top grille: 24" (61.0 cm)	
Cutout Width	24" (61.0 cm)	30" (76.2 cm)
Cutout Height	84" (213.4 cm) min. to 84-1/16" (213.5 cm) max.	
Cutout Depth	24" (61.0 cm) plus panel thickness	
Electrical Requirements	115 volt, 60 Hz, 15 amp dedicated circuit; 3-wire cord with grounded 9 ft. 3-prong plug attached to product	
Maximum Amp Usage	2.0 amps	
Maximum Storage Capacity	72 bottles	108 bottles
Approximate Shipping Weight	337 lb. (152.9 kg)	384 lb. (174.2 kg)

Please do not prepare installation from brochure data only. See installation instructions for important clearance/installation information.



# NEW 24"/30"W. INTEGRATED WINE CELLAR

FDWCIC

## INSTALLATION CUTOUT FEATURES: PANEL-READY

**A** Minimum cutout height  
84" (213.4 cm)

**Cutout width**

30" model: 30" (76.2 cm)  
24" model: 24" (61.0 cm)

**Minimum cutout depth**

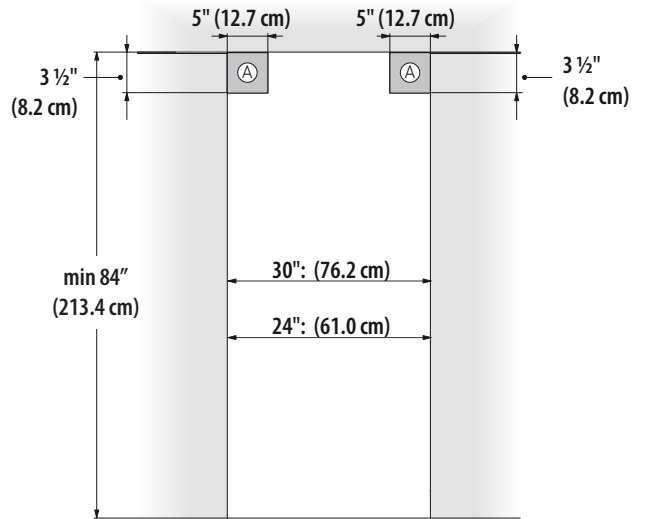
24" (61.0 cm) + panel thickness for flush installation

**Area to be left clear for the anti-tipping brackets**

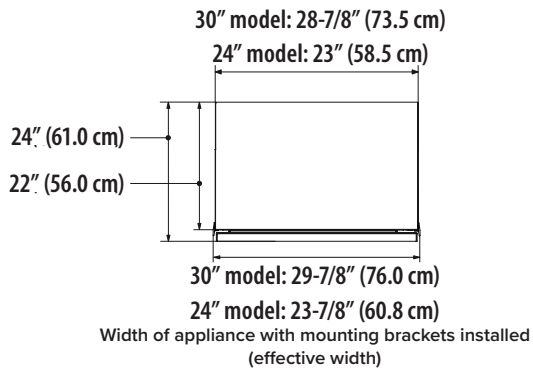
5" (12.7 cm) for both right and left sides

**B** Appliance height  
83-1/2" (212.0 cm) + 1" (2.5 cm)

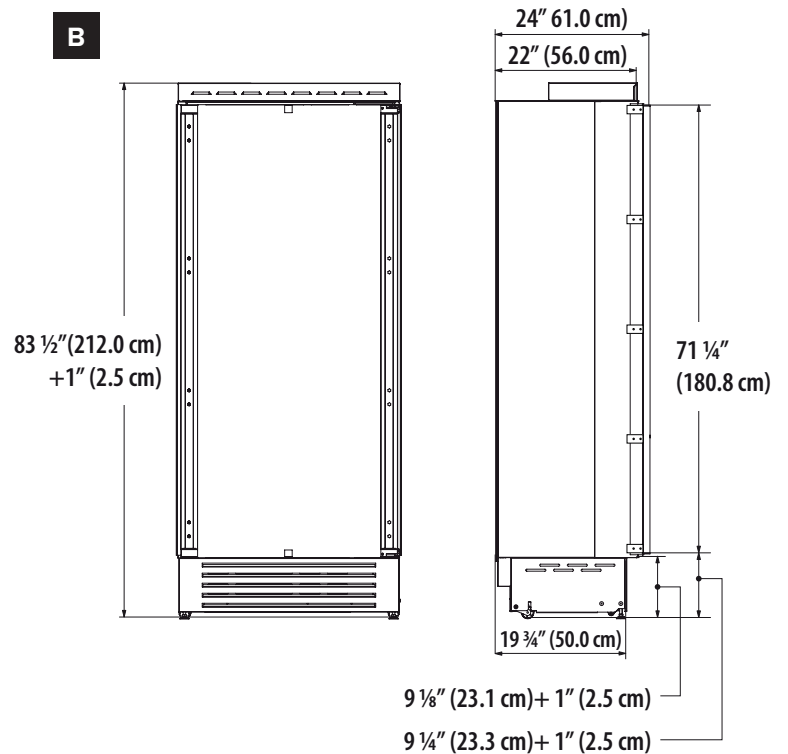
**A**



### WIDTH OF APPLIANCE BODY



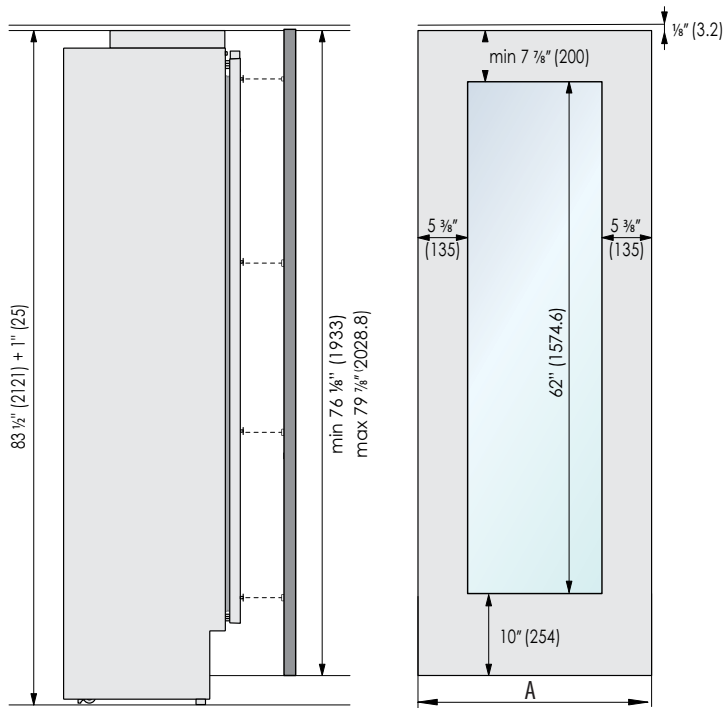
**B**





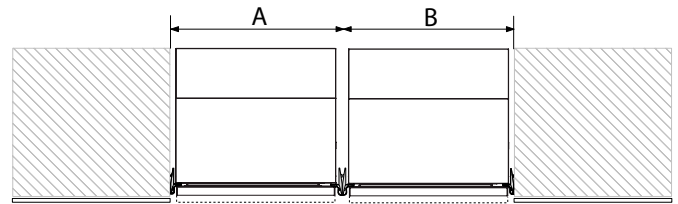
# NEW 24"/30"W. INTEGRATED WINE CELLAR

FDWCIC



## CUTOUT DIMENSIONS FOR COMBINED INSTALLATION

		A			
		18"	24"	30"	36"
B	18"	36" (91.4 cm)	42" (106.7 cm)	48" (122.0 cm)	54" (137.2 cm)
	24"	42" (106.7 cm)	48" (122.0 cm)	54" (137.2 cm)	60" (152.0 cm)
	30"	48" (122.0 cm)	54" (137.2 cm)	60" (152.0 cm)	66" (167.6 cm)
	36"	54" (137.2 cm)	60" (152.4 cm)	66" (167.6 cm)	72" (182.9 cm)

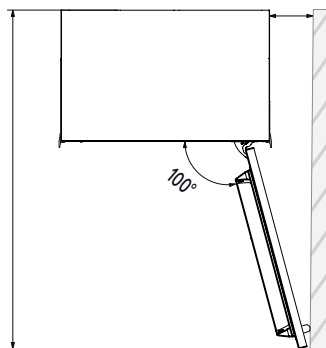


WIDTH	DOOR WIDTH A
30"	29-3/4" (75.6 cm)
24"	23-3/4" (60.4 cm)

Panels with thickness ranging between  $\frac{3}{4}" (1.9 \text{ cm})$  and  $1\text{-}1/8" (2.8 \text{ cm})$ .  
 Door panels with max weight of 75 lbs. (34 kg).

## DOOR-SWING CLEARANCE

**Door Swing Clearance**  
 30" model:  $52\frac{5}{8}" (1,338 \text{ mm})$   
 24" model:  $46\frac{3}{4}" (1,187 \text{ mm})$



**Minimum distance from the wall (hinge side)**  
 30" model:  $5\frac{1}{4}" (132 \text{ mm})$   
 24" model:  $4\frac{1}{4}" (108 \text{ mm})$



VIKING RANGE, LLC 111 FRONT STREET GREENWOOD, MISSISSIPPI 38930 USA

For detailed product information, model numbers, or to request a quote call 1-888-845-4641 or visit [vikingrange.com](http://vikingrange.com)  
 © 2026 Viking Range, LLC All rights reserved. Specifications subject to change without notice.