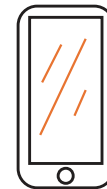


Assembly instructions for:
The Mirror



Scan Code for
Video Tutorial

[WATCH NOW](#)



*Life doesn't come with
instructions, but this does*

Part # 10020307 (06/05/24)

HEADS UP

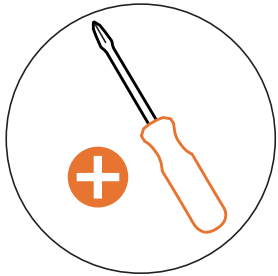


| TIME

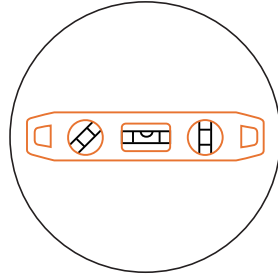


| EFFORT SCALE
(you've got this)

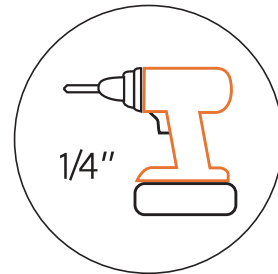
BUST OUT



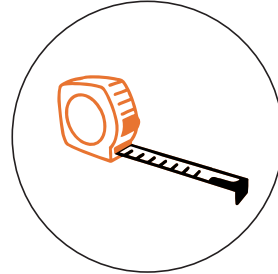
| REQUIRED TOOL



| RECOMMENDED
TOOL



| RECOMMENDED
TOOL



| RECOMMENDED
TOOL

HARDWARE



G71x2



G61x2

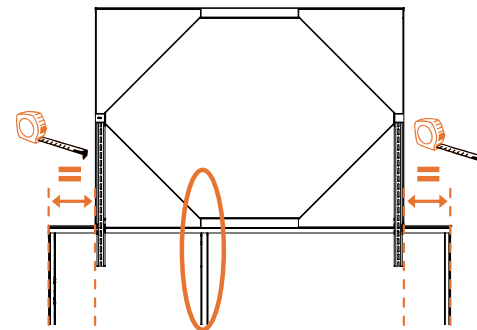
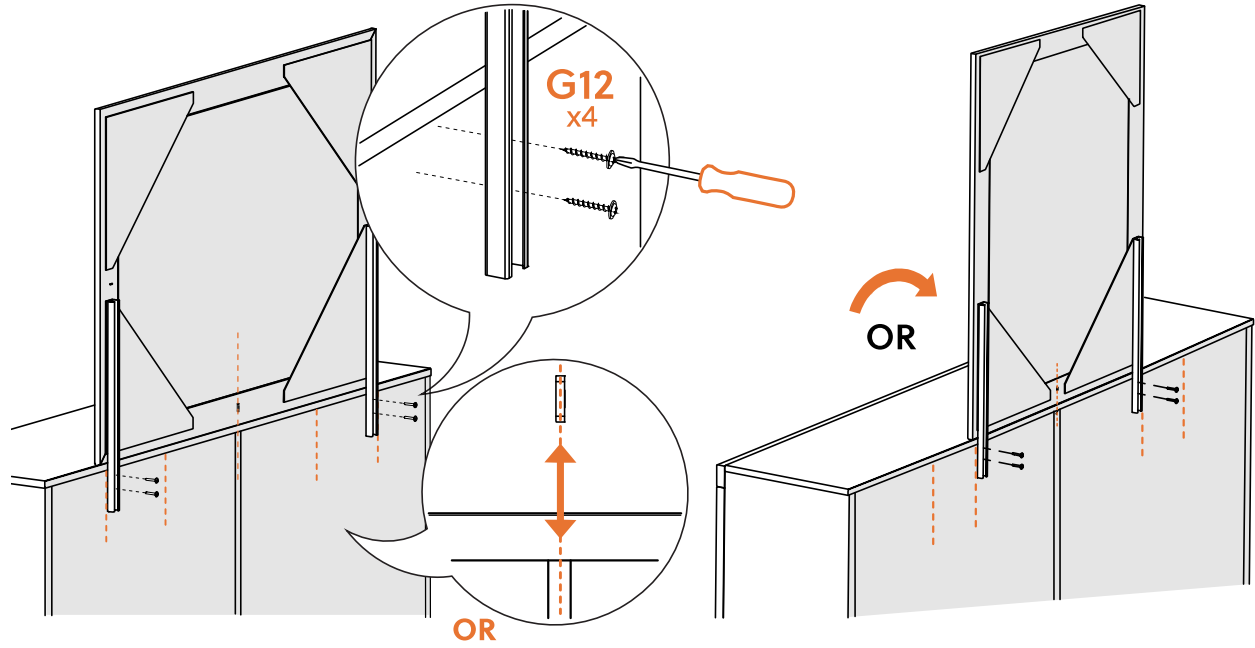
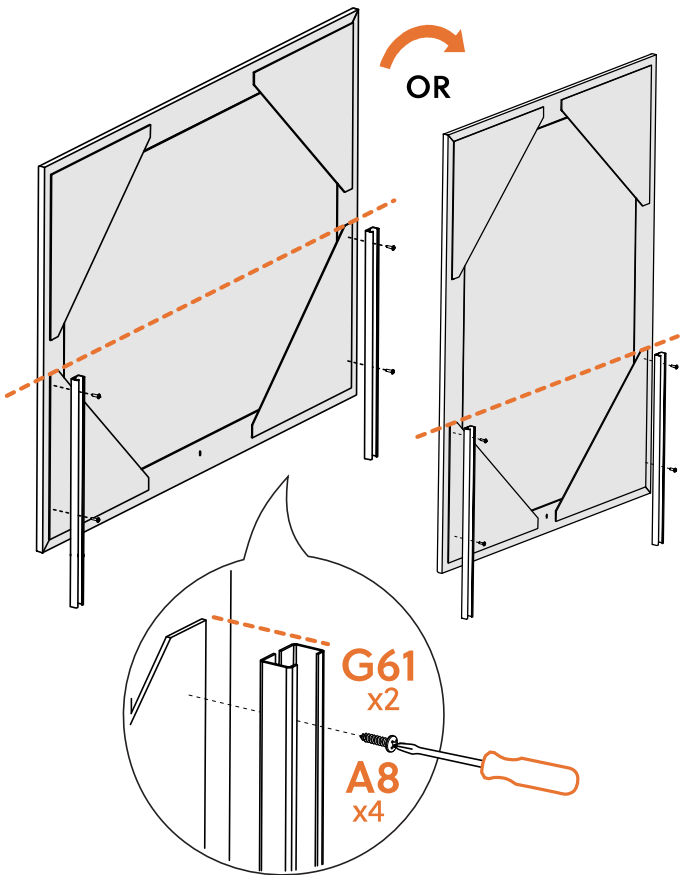
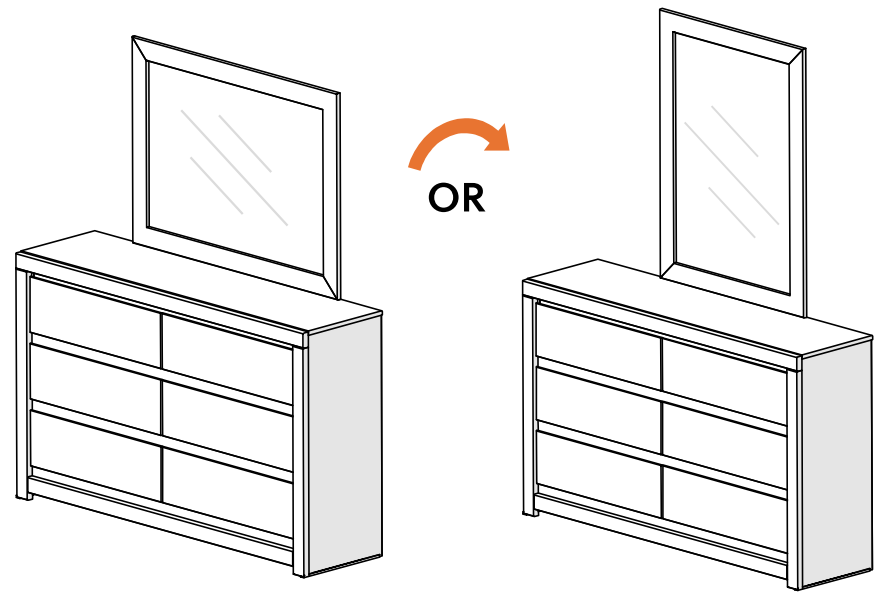


G12x4



A8x4

1 | OPTION ONE: DRESSER MOUNT



2 | OPTION TWO: WALL MOUNT

