

# Installation Instructions

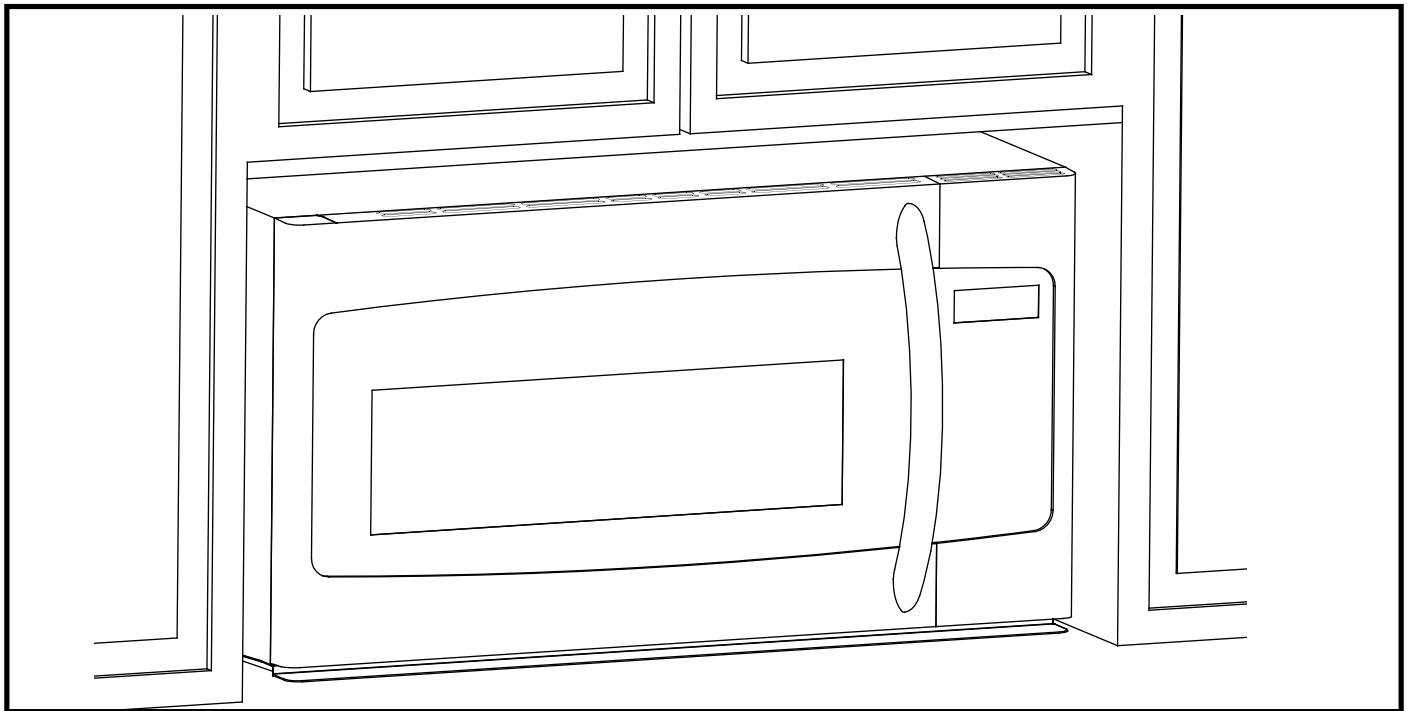
# Over the Range Microwave Oven

Questions? Call 1-800-944-9044(US)

## BEFORE YOU BEGIN

Read these instructions completely and carefully.

- **IMPORTANT**— Save these Instructions for local inspector's use.
- **IMPORTANT**— Observe all governing codes and ordinances.
- **Note to Installer**— Be sure to leave these Installations with the Consumer.
- **Note to Consumer** — Keep these instructions for future reference.
- **Skill level**— Instruction of this appliance requires Basic mechanical and electrical skills.
- Proper installation is the responsibility of the installer.
- Product failure due to improper installation is not covered under the Warranty



**READ CAREFULLY.  
KEEP THESE INSTRUCTIONS.**

p/n A06823424  
September 2019



# Installation Instructions

## CONTENTS

### General information

Important Safety Instructions .....	3
Electrical Requirements .....	3
Damage – Shipment/Installation .....	4
Parts Included .....	4
Tools You Will Need .....	5
Mounting Space .....	5

### Step-by-step installation guide

Placement of The Mounting Plate .....	6-8
Removing the Mounting Plate .....	6
Finding the Wall Studs .....	6
Determining Wall Plate Location .....	7
Aligning the Wall Plate .....	8

### Installation Types .....

<b>A</b> Recirculating .....	10-13
Attach Mounting Plate to Wall .....	10
Preparation of Top Cabinet .....	11
Check Blower Plate .....	11
Mount the Microwave Oven .....	12-13
Installing or Change the INSTALLATION INSTRUCTIONS FOR EXTERNAL EXHAUST DUCTING .....	14
OUTSIDE TOP EXHAUST(EXAMPLE ONLY) OUTSIDE BACK EXHAUST(EXAMPLE ONLY) .....	15

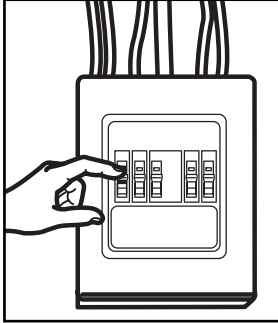
<b>B</b> Outside Back Exhaust .....	16-19
Preparing Rear Wall for Outside Back Exhaust .....	16
Remove Blower Plate .....	16
Attach Mounting Plate to Wall .....	17
Preparation of Top Cabinet .....	17
Adapting Microwave Blower For Outside Back Exhaust .....	17-18
Mount the Microwave Oven .....	19

<b>C</b> Outside Top Exhaust .....	20-23
Attach Mounting Plate to Wall .....	20
Preparation of Top Cabinet .....	21
Adapting Microwave Blower for Outside top Exhaust .....	21-22
Checking for Proper Damper Operation .....	22
Mount the Microwave Oven .....	22-23
Adjust the Exhaust Adaptor .....	23
Connecting Ductwork.....	23
Before You Use Your Microwave .....	24
Template Information .....	25

# Installation Instructions

## IMPORTANT SAFETY INSTRUCTIONS

This product requires a three-prong grounded outlet. The installer must perform a ground continuity check on the power outlet box before beginning the installation to ensure that the outlet box is properly grounded. If not properly grounded, or if the outlet box does not meet electrical requirements noted (under ELECTRICAL REQUIREMENTS), a qualified electrician should be employed to correct any deficiencies.

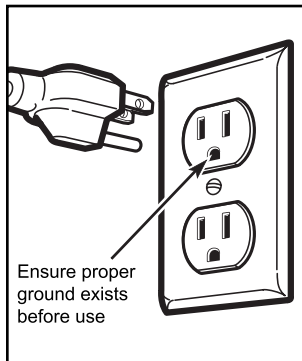


**CAUTION:** For personal safety, remove house fuse or open circuit breaker before beginning installation to avoid severe or fatal shock injury.

**CAUTION:** For personal safety, the mounting surface must be capable of supporting the cabinet load, in addition to the added weight of this 63-85 pound (28.5-38.5 kg) product, plus additional oven loads of up to 50 pounds (22.7 kg) or a total weight of 113-135 pounds (51.3-61.2 kg).

**CAUTION:** For personal safety, this product cannot be installed in cabinet arrangements such as an island or a peninsula. It must be mounted to BOTH a top cabinet AND a wall.

**NOTE:** For easier installation and personal safety, it is recommended that two people install this product. **IMPORTANT- PLEASE READ CAREFULLY. FOR PERSONAL SAFETY. THIS APPLIANCE MUST BE PROPERLY GROUNDED TO AVOID SEVERE OR FATAL SHOCK.**



The power cord of this appliance is equipped with a three-prong (grounding) plug which mates with a standard three-prong (grounding) wall receptacle to minimize the possibility of electric shock hazard from this appliance.

Ensure proper ground exists before use

You should have the wall receptacle and circuit checked by a qualified electrician to make sure the receptacle is properly grounded.

Where a standard two-prong wall receptacle is encountered, it is very important to have it replaced with a properly grounded three-prong wall receptacle installed by a qualified electrician.

**DO NOT UNDER ANY CIRCUMSTANCES. CUT DEFORM OR REMOVE ANY OF THE PRONGS FROM THE POWER CORD. DO NOT USE WITH AN EXTENSION CORD.**

## ELECTRICAL REQUIREMENTS

Product rating is 120 volts AC, 60 Hertz, 14 amps and 1.55 kilowatts. This product must be connected to a separate and dedicated supply circuit of the proper voltage and frequency. Wire size must conform to the requirements of the National Electrical Code or the prevailing local code for this kilowatt rating.

The power supply cord and plug should be brought to a separate and dedicated 15- to 20-ampere branch circuit single grounded outlet. The outlet box should be located in the cabinet above the microwave oven. The outlet box and supply circuit should be installed by a qualified electrician and conform to the National Electrical Code or the prevailing local code.


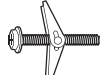




# Installation Instructions

## DAMAGE-SHIPMENT/ INSTALLATION

- If the unit is damaged in shipment, return the unit to the store in which it was bought for repair or replacement.
- If the unit is damaged by the customer, repair or replacement is the responsibility of the customer.
- If the unit is damaged by the installer (if other than the customer), repair or replacement must be made by arrangement between customer and installer.



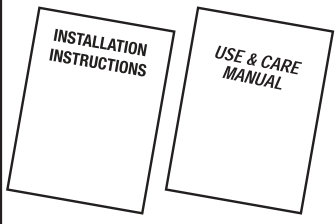
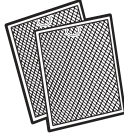
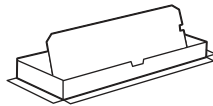
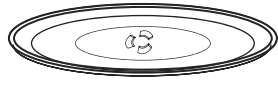

## PARTS INCLUDE HARDWARE PACKET

PART		QUANTITY
	Wood Screws (1/4 " X 2")	2
	Toggle Bolts( and wing nuts)(3/16 " X 3")	2
	Self-Aligning Machine Screws(1/4 " -20 X3 ")	2
	Nylon Grommet (for metal cabinets)	1

You will find the installation hardware contained in a packet with the unit. Check to make sure you have all these parts.

**NOTE:** Some extra parts are included.

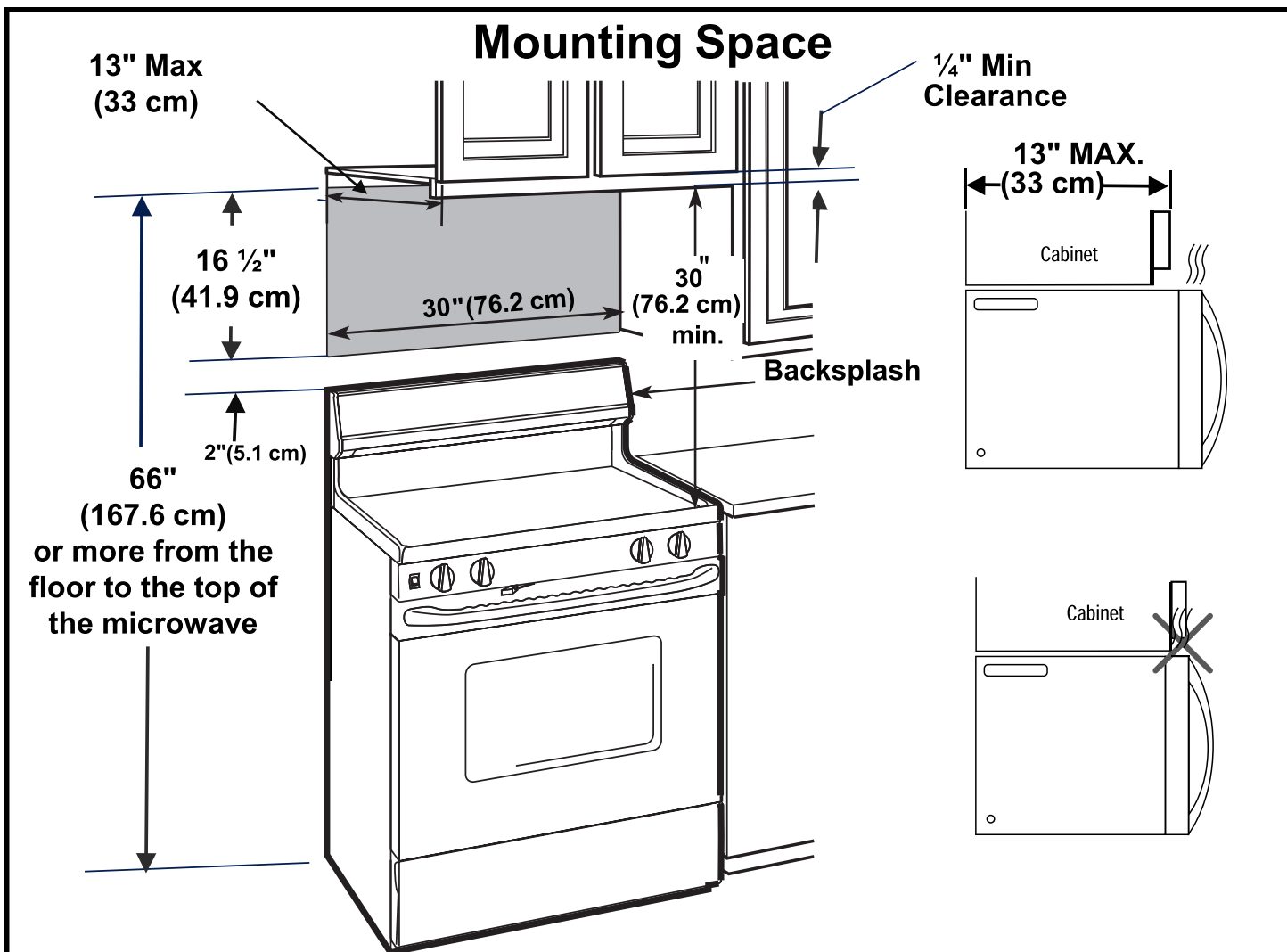
## PARTS INCLUDE (CONT.) ADDITIONS PARTS

PART		QUANTITY
	Top Cabinet Template	1
	Rear Wall Template	1
	Installation Instructions	1
	Use & Care Manual	1
	Separately packed Grease Filters	2
	Exhaust adaptor	1
	Glass Tray	1
	Turntable Ring	1

# Installation Instructions

## Tools you will need:

- Tape measure
- Hole saw
- Stud finder or hammer
- Level
- Duct and masking tape
- Scissors
- #1 Phillips screw driver
- Electric drill
- 3/16", 1/2", 5/8" drill bit
- Filler wood blocks for recessed bottom cabinets
- Tin snips



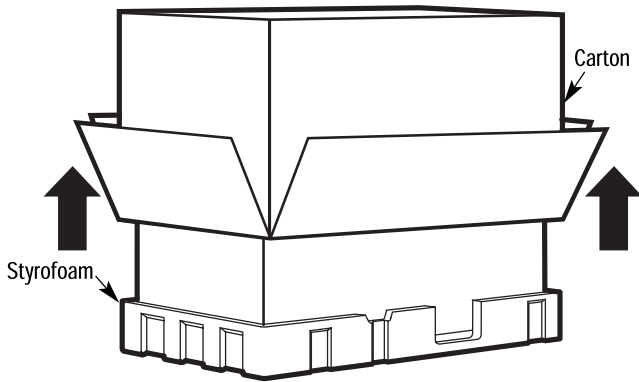
- The space between the cabinets must be 30"(76.2 cm)wide and free of obstructions.
- If you are going to vent your microwave oven to the outside, see Hood Exhaust Section for exhaust duct preparation.
- When installing the microwave oven beneath smooth, flat cabinets, be careful to follow the instructions on the top cabinet template for power cord clearance.
- As a guide to installation, see page 25 for Mounting Template Information.
- If the cabinet depth, including the cabinet doors, is more than 13, then the unit must be spaced out from wall using adequate materials supporting 150 bs to allow proper top vent air exhaust/intake.

# Installation Instructions

## 1 PLACEMENT OF THE MOUNTING PLATE

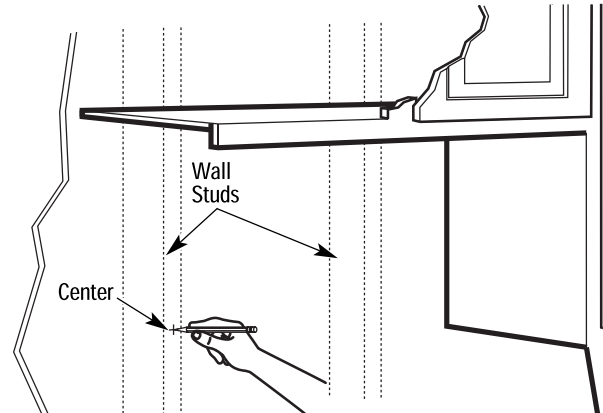
### A. REMOVING THE MICROWAVE OVEN FROM THE CARTON/ REMOVING THE MOUNTING PLATE

- 1 Remove the installation instructions, filters, glass tray and the small hardware bag. Do not remove the Styrofoam protecting the front of the oven.
- 2 Fold back all 4 carton flaps fully against carton sides. Then carefully roll the oven and carton over onto the top side. The oven should be resting in the Styrofoam.



- 3 Pull the carton up and off the oven.
- 4 Remove and properly discard plastic bags.

### B. FINDING THE WALL STUDS



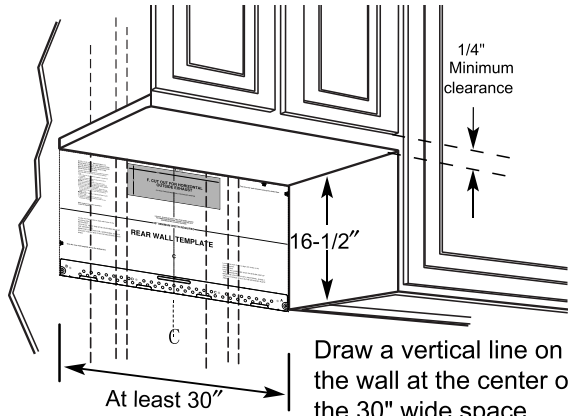
- 1 Find the studs, using one of the following methods:
  - A. Stud finder—a magnetic device which locates nails.
  - B. Use a hammer to tap lightly across the mounting surface to find a solid sound. This will indicate a stud location.
- 2 After locating the stud(s), find the center by probing the wall with a small nail to find the edges of the stud. Then place a mark halfway between the edges. The center of any adjacent studs should be 16(40.6 cm) or 24"(61 cm) from this mark.
- 3 Draw a line down the center of the studs.

**THE MICROWAVE MUST BE CONNECTED TO AT LEAST ONE WALL STUD.**

# Installation Instructions

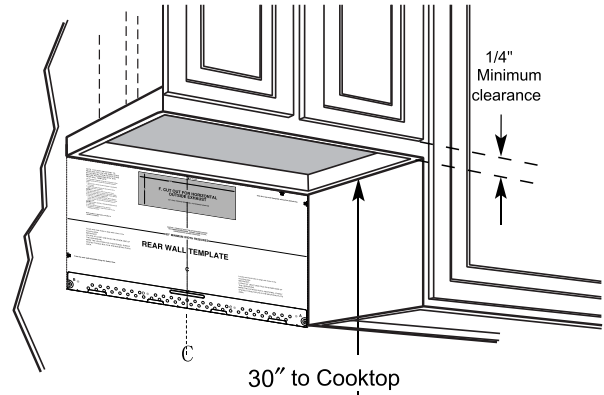
## C. DETERMINING WALL PLATE LOCATION UNDER YOUR CABINET

### Plate position-beneath flat bottom cabinet



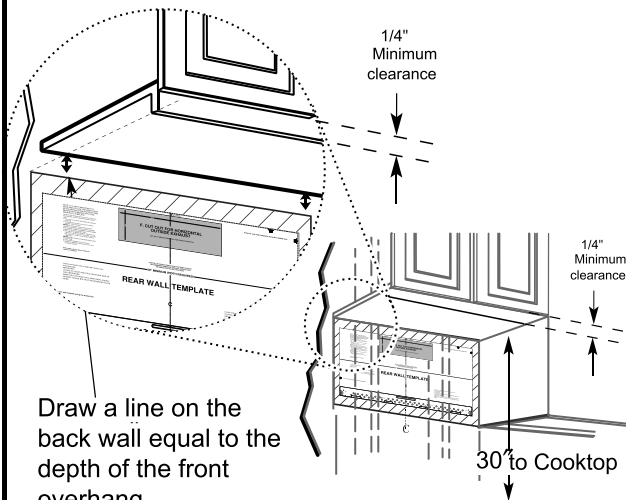
Draw a vertical line on the wall at the center of the 30" wide space. Tape the Rear Wall Template onto the wall matching the centerline and touching the bottom of the cabinet.

### Plate position-beneath framed recessed cabinet bottom



Draw a vertical line on the wall at the center of the 30" space. Tape the Rear Wall Template onto the wall matching the centerline and touching the bottom cabinet frame.

### Plate position-beneath recessed bottom cabinet with front overhang



Draw a line on the back wall equal to the depth of the front overhang.

Your cabinets may have decorative trim that interferes with the microwave installation. Remove the decorative trim to install the microwave properly and to make it level.

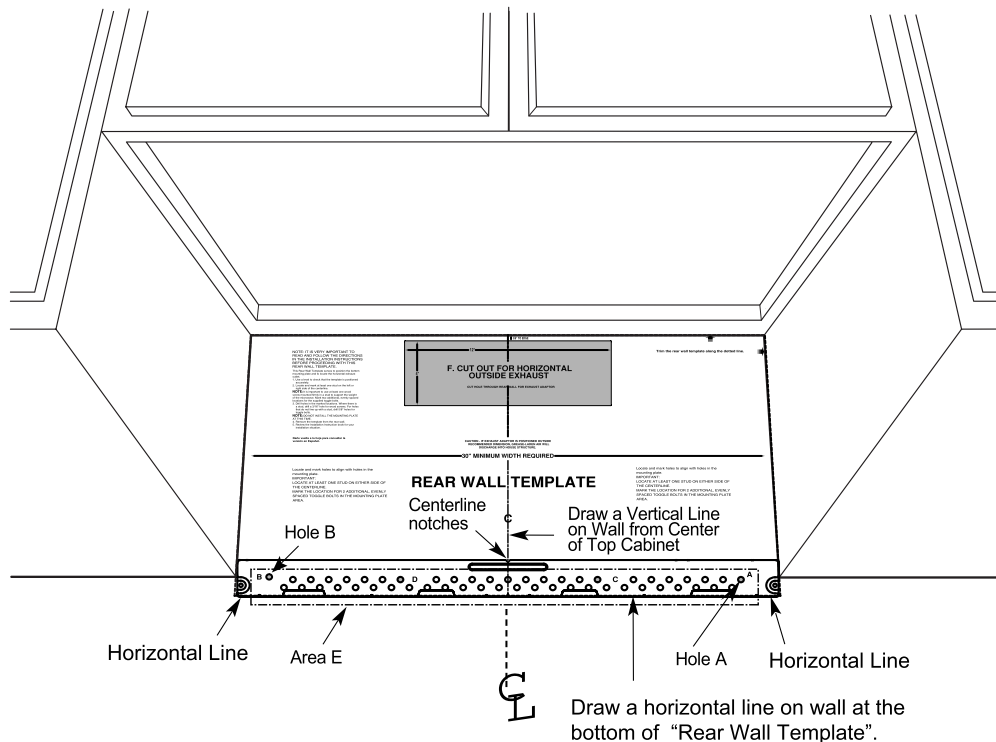
#### THE MICROWAVE MUST BE LEVEL.

Use a level to make sure the cabinet bottom is level. If the cabinets have a front overhang only, with no back or side frame, install the mounting plate down the same distance as the front overhang depth. This will keep the microwave level.

- 1 Measure the inside depth of the front overhang.
- 2 Draw a horizontal line on the back wall an equal distance below the cabinet bottom as the inside depth of the front overhang.
- 3 For this type of installation with front overhang only, align the mounting tabs with this horizontal line, not touching the cabinet bottom as described in Step D.

# Installation Instructions

## D. ALIGNING THE WALL PLATE



- 1** Draw a vertical line on the wall at the center of the 30" wide space.
- 2** Draw a horizontal line on the wall at the center of "Rear wall Template".
- 3** Find a wall stud area "E" of mounting plate Refer to section 1B. Finding the wall studs.
- 4** For attaching the mounting plate into stud drill a 3/16" hole into wood stud. Drill a 5/8" hole for toggle bolt in 1 other location(Hole A or Hole B).

**NOTE:** Holes A and B are inside area E. If neither of Holes A and B are not in a stud, find a stud some where in area E and draw a circle to line up with the stud. It is important to have at least one wood screw mounted firmly in a stud to support the weight of the microwave. Set the mounting plate aside.

**NOTE: DO NOT MOUNT THE PLATE AT THIS TIME.**

# Installation Instructions

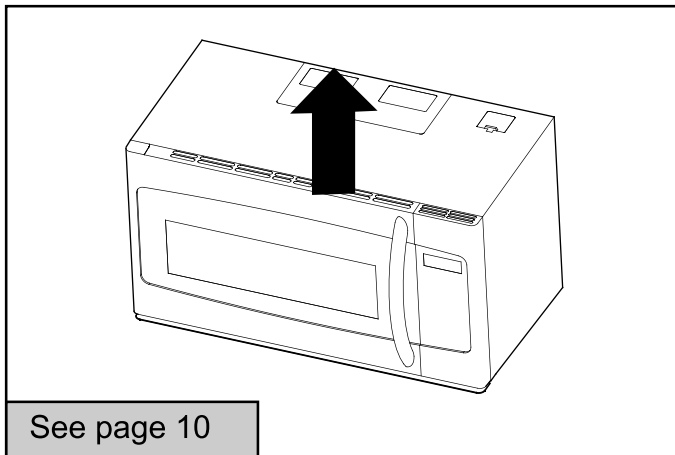
## 2 INSTALLATION TYPES(Choose A,B or C)

This microwave oven is designed for adaptation to the following three types of ventilation:

- A. Recirculating (Non-Vented Ductless)
- B. Outside Back Exhaust (Horizontal Duct)
- C. Outside Top Exhaust (Vertical Duct)

**NOTE:** This microwave is shipped assembled for Recirculating. Select the type of ventilation required for your installation and proceed to that section.

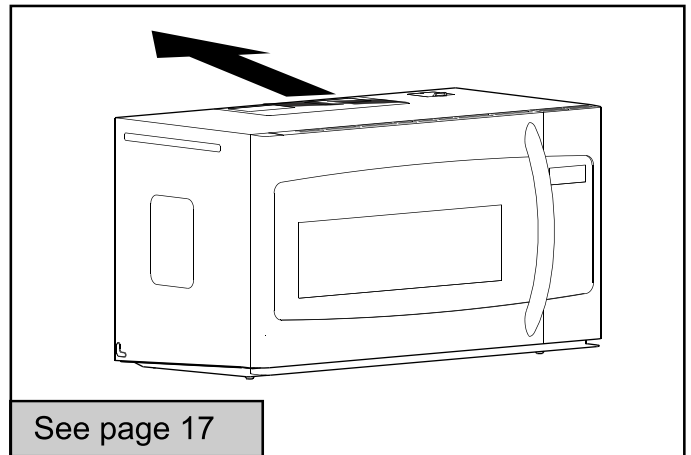
### A RECIRCULATING (NON-VENTED DUCTLESS)



See page 10

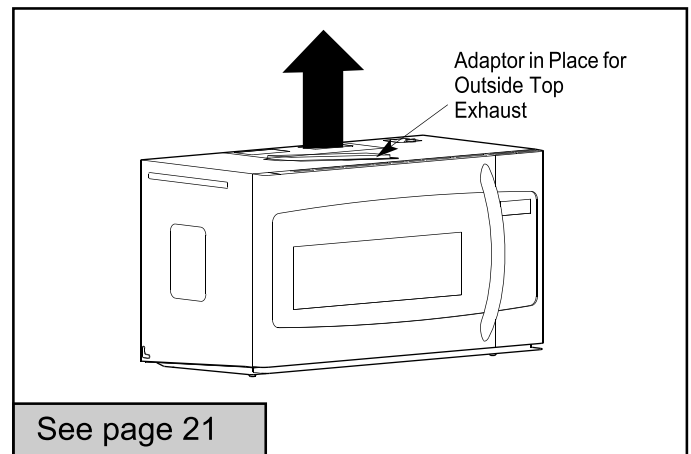
Models are shipped for recirculating exhaust. Some models have a disposable charcoal filter installed to help remove smoke and odors.

### B OUTSIDE BACK EXHAUST (HORIZONTAL DUCT)



See page 17

### C OUTSIDE TOP EXHAUST (VERTICAL DUCT)



See page 21

**NOTE:** Read the pages 14-15 only if you plan to vent your exhaust to the outside. If you plan to recirculate the air back into the room, proceed to page 10.

# Installation Instructions

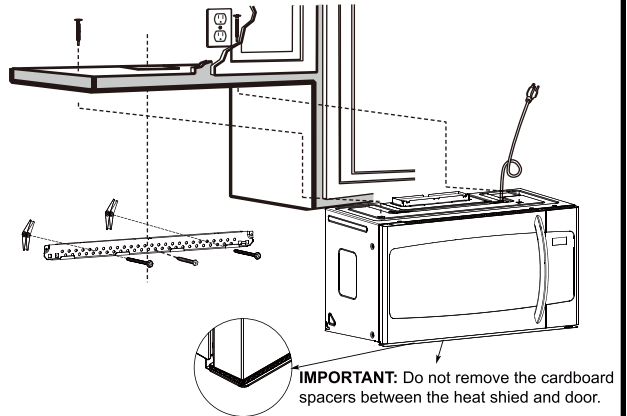
## A RECIRCULATING(Non-Vented Ductless)

### INSTALLATION OVERVIEW

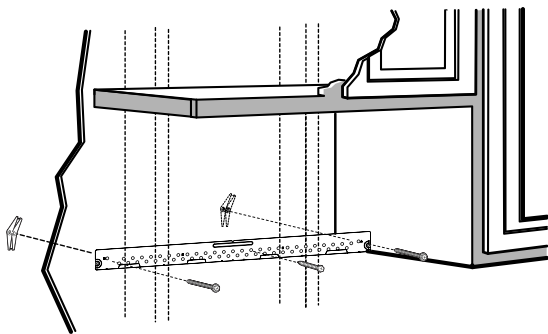
- A1. ATTACH THE MOUNTING PLATE TO THE WALL
- A2. USE TOP CABINET TEMPLATE FOR PREPARATION OF TOP CABINET
- A3. CHECK BLOWER PLATE
- A4. MOUNT THE MICROWAVE OVEN
- A5. INSTALL OR CHANGE THE CHARCOAL FILTER

#### IMPORTANT NOTES:

- Make sure the screws for the blower motor and blower plate are securely tightened when they are reinstalled. This will help to prevent excessive vibration.
- Make sure the motor wiring has been properly routed and secured, and that the wires are not pinched.



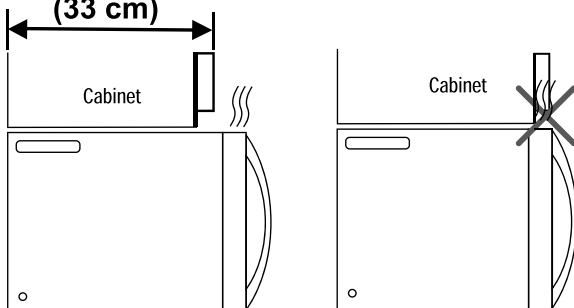
### A1. ATTACH THE MOUNTING PLATE TO THE WALL



Attach the plate to the wall using toggle bolts. At least one wood screw must be used to attach the plate to a wall stud.

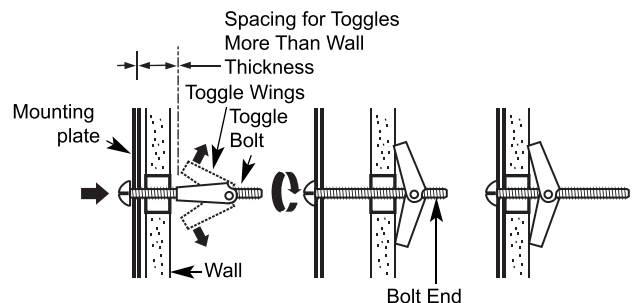
**NOTE:** If the cabinet depth including the cabinet doors is more than 13" then the unit must be spaced out from wall using adequate materials supporting 150 lbs to allow proper top vent air exhaust/intake.

**13" MAX.  
(33 cm)**



- 1 Remove the toggle wings from the bolts.
- 2 Insert the bolts into the mounting plate through the holes designated to go into the drywall and reattach the toggle wings to 3/4" (19 mm) onto each bolt.

#### To use toggle bolts:



- 3 Place the mounting plate against the wall and insert the toggle wings into the holes in the wall to mount the plate.

**NOTE:** Before tightening toggle bolts and wood screw, make sure the bottom of the mounting plate touch the bottom of the cabinet when pushed flush against the wall and that the plate is properly centered under the cabinet

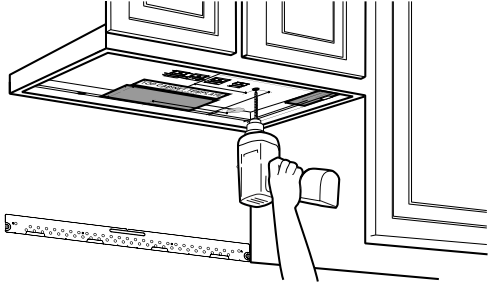
**CAUTION:** Be careful to avoid pinching fingers between the back of the mounting plate and the wall.

- 4 Tighten all bolts. Pull the plate away from the wall to help tighten the bolts.

# Installation Instructions

## A2. USE TOP CABINET TEMPLATE FOR PREPARATION OF TOP CABINET

You need to drill holes for the top support screws and a hole large enough for the power cord to fit through.



- Read the instructions on the TOP CABINET TEMPLATE.

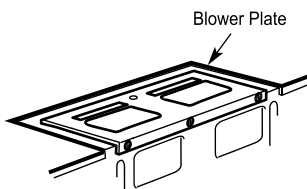
- Tape it underneath the top cabinet.

**NOTE:** Adjust top template accordingly if the microwave is being spaced out from the wall due to cabinet depth (including cabinet doors) of more than 13".

- Drill the holes, following the instructions on the TOP CABINET TEMPLATE.

**CAUTION:** Wear safety goggles when drilling holes in the cabinet bottom.

## A3. CHECK BLOWER PLATE



- Place the microwave in its upright position, with the top of the unit facing up.
- Check to see that the blower plate is correctly installed on the unit.

## A4. MOUNT THE MICROWAVE OVEN



FOR EASIER INSTALLATION AND PERSONAL SAFETY, WE RECOMMENDED THAT TWO PEOPLE INSTALL THIS MICROWAVE OVEN.

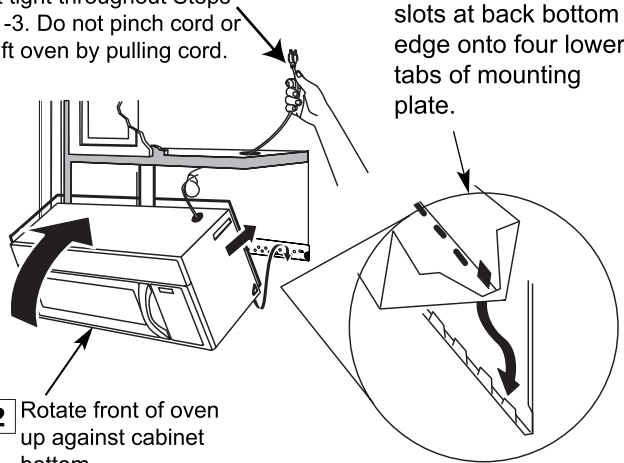
**IMPORTANT:** Do not grip or use the handle or heat shield during installation. Do not remove the cardboard spacers between the heat shield and door.

**NOTE:** We recommended using filler blocks if the cabinet front hangs below the cabinet bottom shelf.

**IMPORTANT:** If filler blocks are not used, case damage may occur from overtightening screws.

**NOTE:** When mounting the microwave oven, thread power cord through hole in bottom of top cabinet. Keep it tight throughout Steps 1-3. Do not pinch cord or lift oven by pulling cord.

- 1 Lift microwave, tilt it forward, and hook slots at back bottom edge onto four lower tabs of mounting plate.



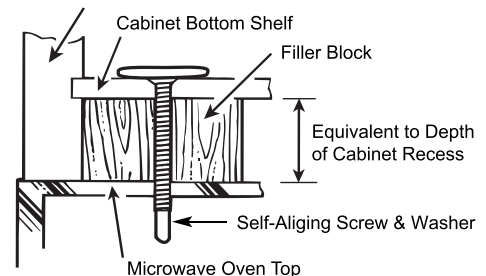
- 2 Rotate front of oven up against cabinet bottom.

- 3 Insert a self-aligning machine screw through already drilling hole of the top cabinet bottom.

Temporarily secure the oven by turning the screw at least two full turns after the threads have engaged. (It will be completely tightened later.)

Be sure to keep power cord tight. Be careful not to pinch the cord, especially when mounting flush to bottom of cabinet.

Cabinet Front



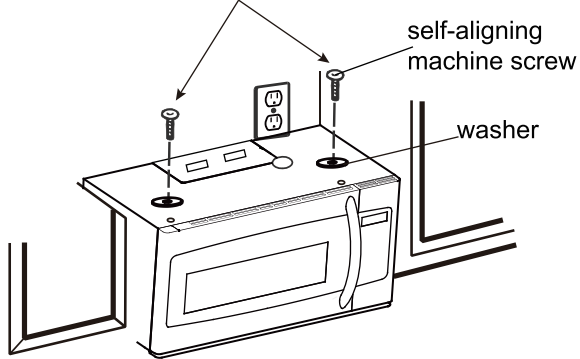
- 4 Attach the microwave oven to the top cabinet.



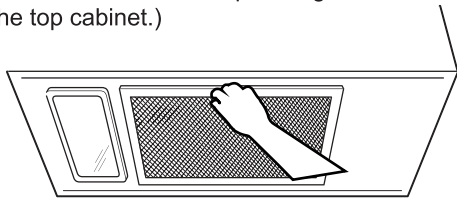
# Installation Instructions

## A4. MOUNT THE MICROWAVE OVEN(cont.)

- 5 Insert 2 self-aligning screws through outer top cabinet holes. Turn two full turns on each screw.



- 6 Tighten the outer two screws to the top of the microwave oven. (While tightening screws, hold the microwave oven in place against the wall and the top cabinet.)



- 7 Install grease filters. See the Use and Care packed with the microwave.

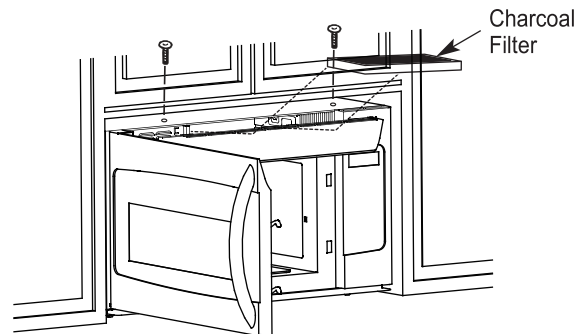
## A5. INSTALLING OR CHANGE THE CHARCOAL FILTER (Some Models)

**NOTE:** The charcoal filter is factory installed in some models. Refer to the Use and Care to see if yours is factory installed and for replacement information.

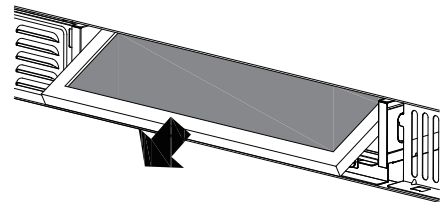
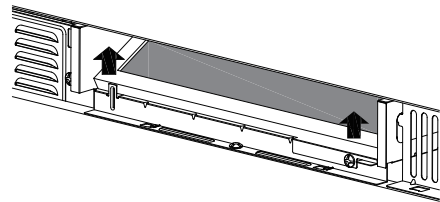
For models without the recirculation filter access door, follow these steps to replace or install a charcoal filter.

- A 5.1 Unplug microwave oven or disconnect power.

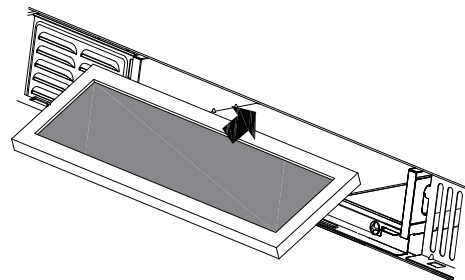
- A 5.2 Open the microwave door and remove the two vent mounting screws located on top of the microwave using a #1 Phillips screwdriver.



- A 5.3 Remove the charcoal filter by lifting up the bottom of the filter, then pull it forward out from the unit.



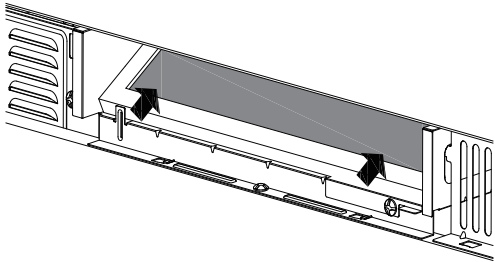
- A 5.4 Slide the top of the new charcoal filter into the top of the filter cavity.



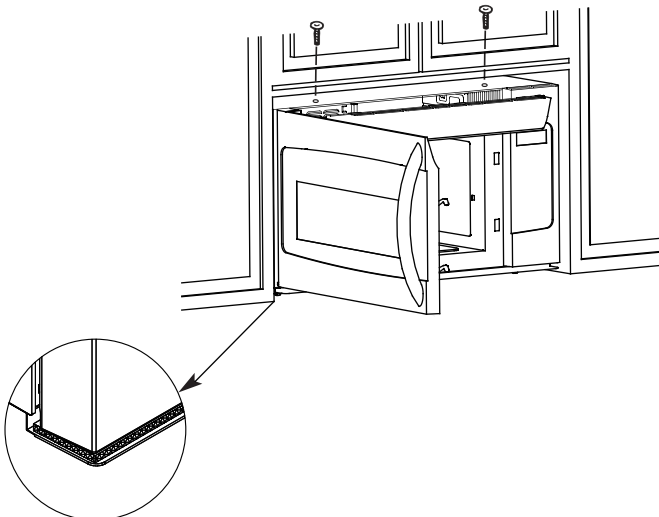
# Installation Instructions

## A5. INSTALLING OR CHANGE THE CHARCOAL FILTER(cont.)

- A 5.5** Push the bottom of charcoal filter to place it into the correct position.



- A 5.6** Reinstall the vent by sliding the bottom of the vent into place. Push the vent top into position and slide right into place. Replace the two vent mounting screws located on top of the microwave using a #1 Phillips screwdriver.



- A 5.7** Close the microwave door Plug in microwave oven or reconnect power.

**IMPORTANT:** Remove the cardboard spacers between heat shield and door.

# Installation Instructions

## INSTALLATION INSTRUCTIONS FOR EXTERNAL EXHAUST DUCTING

**NOTE:** If you need to install ducts, note that the total duct length of 3¼" x 10" (8.2 x 25.4 cm) rectangular or diameter 6" (15.2 cm) diameter round duct **should not exceed 140 equivalent feet (42.7 m).**

Outside ventilation requires an EXTERNAL EXHAUST DUCT. Read the following carefully.

**NOTE:** It is important that venting be installed using the most direct route and with as few elbows as possible. This ensures clear venting of exhaust and helps prevent blockages. Also, make sure dampers swing freely and nothing is blocking the ducts.

**Exhaust connection:**


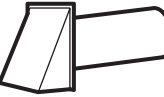


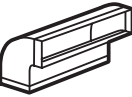
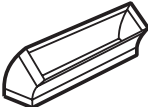


The exhaust adaptor has been designed to mate with a standard 3¼" x 10" (8.2 x 25.4 cm) rectangular duct. If a round duct is required, a rectangular-to-round Transition adaptor must be used. A 6" (15.2 cm) Diameter duct is acceptable to use.

**Maximum duct length:**

For satisfactory air movement, the total duct length of 3¼" x 10" (8.2 x 25.4 cm) rectangular or diameter 6" (15.2 cm) diameter round duct should not exceed 140 equivalent feet (42.7 m).

**Elbows, transitions, wall and roof caps, etc.,**

present additional resistance to airflow and are equivalent to a section of straight duct which is longer than their actual physical size. When calculating the total duct length, add the equivalent lengths of all transitions and adaptors plus the length of all straight duct sections. The chart below shows you how to calculate total equivalent ductwork length using the approximate feet of equivalent length of some typical ducts.

DUCT PIECES	EQUIVALENT LENGTH	x	NUMBER USED	=	EQUIVALENT LENGTH
 Rectangular-to-Round Transition Adaptor*	5 Ft. (1.5 m)	x	( )	=	Ft. or m
 Wall Cap	40 Ft. (12.2 m)	x	( )	=	Ft. or m
 90 ° EIBOW	10 Ft. (3 m)	x	( )	=	Ft. or m
 45° EIBOW	5 Ft. (1.5m)	x	( )	=	Ft. or m
 90 ° EIBOW	25 Ft. (7.6m)	x	( )	=	Ft. or m
 45° EIBOW	5 Ft. (1.5m)	x	( )	=	Ft. or m
 Roof Cap	24 Ft. (7.3m)	x	( )	=	Ft. or m
 Straight Duct 6 (15.2 cm) Round or 3¼" X 10" (8.2 X 25.4 cm Rectangular)	1 Ft. (0.3m)	x	( )	=	Ft. or m
<b>Total Ductwork</b>				<b>=</b>	<b>Ft. or m</b>



**\*IMPORTANT:** If a rectangular-to-round transition Adaptor is used the bottom corners of the damper will have to be cut to fit, using the tin snips, in order to allow free movement of the damper.

Equivalent lengths of duct pieces are based on actual tests and reflect requirements for good venting performance with any vent hood.

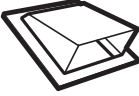


# Installation Instructions

## EXTERNAL EXHAUST DUCTING

### OUTSIDE TOP EXHAUST (EXAMPLE ONLY)

The following chart describes an example of one possible ductwork installation.






DUCT PIECES		EQUIVALENT LENGTH	x	NUMBER USED	=	EQUIVALENT LENGTH	
	Roof Cap	24 Ft. (7.3 m)	x	(1)	=	24 Ft. (7.3 m)	
	12 Ft. (3.6 m) Straight Duct (6" /15.2 cm Round)	12 Ft. (3.6 m)	x	(1)	=	12 Ft. (3.6 m)	
	Rectangular-to-Round Transition Adaptor*	5 Ft. (1.5 m)	x	(1)	=	5 Ft. (1.5 m)	
Equivalent length of duct pieces are based on actual tests and reflect requirements for good venting performance with any vent hood.						<b>Total Length =</b>	<b>41 Ft. (12.5 m)</b>

\*IMPORTANT: If a rectangular-to-round transition adaptor is used, the bottom corners of the damper will have to be cut to fit, using the tin snips, in order to allow free movement of the damper.

### OUTSIDE BACK EXHAUST (EXAMPLE ONLY)

The following chart describes an example of one possible ductwork installation.



DUCT PIECES		EQUIVALENT LENGTH*	x	NUMBER USED	=	EQUIVALENT LENGTH	
	Wall Cap	40 Ft. (12.2 m)	x	(1)	=	40 Ft. (12.2 m)	
	3 Ft. Straight Duct (3 1/4" x 10" /8.2 x 25.4 cm Rectangular)	3 Ft. (0.9 m)	x	(1)	=	3 Ft. (0.9 m)	
	90° Elbow	10 Ft. (3 m)	x	(2)	=	20 Ft. (3 m)	
Equivalent length of duct pieces are based on actual tests and reflect requirements for good venting performance with any vent hood.						<b>Total Length =</b>	<b>63 Ft. (19.2 m)</b>

**NOTE:** For back exhaust, care should be taken to align exhaust with space between studs, or wall should be prepared at the time it is constructed by leaving enough space between the wall studs to accommodate exhaust.

# Installation Instructions

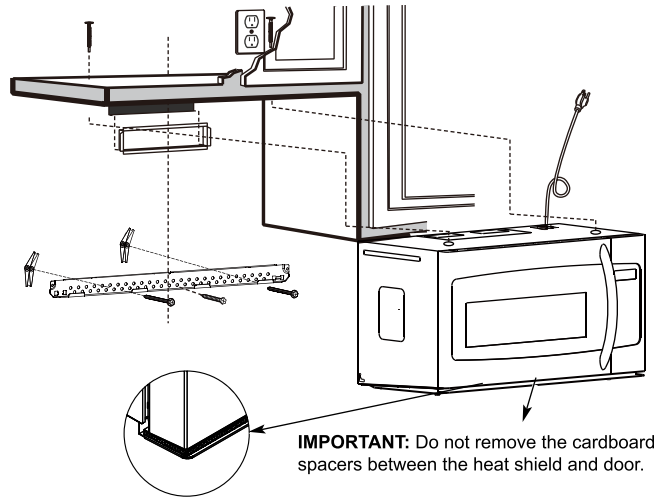
## B OUTSIDE BACK EXHAUST (Horizontal Duct)

### INSTALLATION OVERVIEW

- B1. PREPARING THE REAR WALL TEMPLATE FOR OUTSIDE BACK EXHAUST.
- B2. ATTACH THE MOUNTING PLATE TO THE WALL.
- B3. USE TOP CABINET TEMPLATE FOR PREPARATION OF TOP CABINET.
- B4. ADAPTING MICROWAVE BLOWER FOR OUTSIDE BACK EXHAUST.
- B5. MOUNT THE MICROWAVE OVEN.

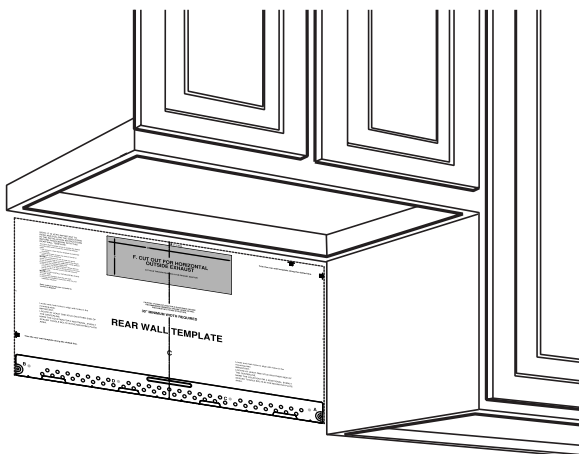
#### IMPORTANT NOTES:

- Make sure the screws for the blower motor and blower plate are securely tightened when they are reinstalled. This will help to prevent excessive vibration.
- Make sure the motor wiring has been properly routed and secured, and that the wires are not pinched.



### B1. PREPARING THE REAR WALL FOR OUTSIDE BACK EXHAUST

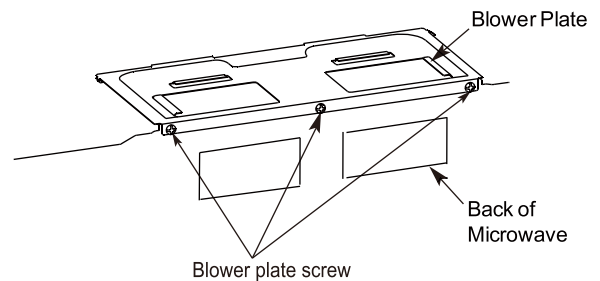
You need to cut an opening in the rear wall for outside exhaust.



- Read the instructions on the REAR WALL TEMPLATE.
- Tape it to the rear wall.
- Cut the opening, following the instructions of the REAR WALL TEMPLATE.

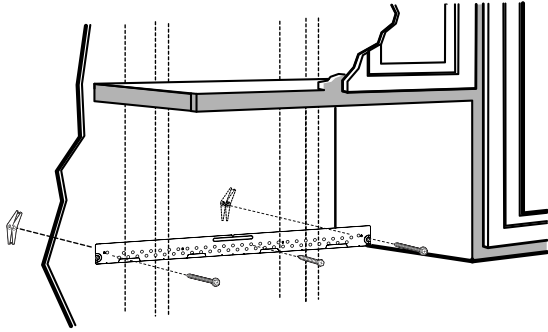
### B2. REMOVE BLOWER PLATE

Remove and save the screw that holds the blower plate to the microwave. Lift off the blower plate.



# Installation Instructions

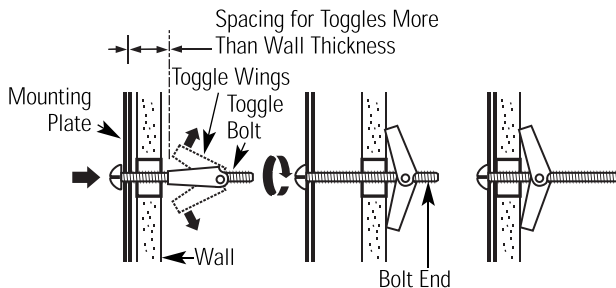
## B3. ATTACH THE MOUNTING PLATE TO THE WALL



Attach the plate to the wall using toggle bolts. At least one wood screw must be used to attach the plate to wall stud.

- 1 Remove the toggle wings from the bolts.
- 2 Insert the bolts into the mounting plate through the holes designated to go into drywall and reattach the toggle wings to  $\frac{3}{4}$ " (19 mm) onto each bolt.

### To use toggle bolts:



- 3 Place the mounting plate against the wall and insert the toggle wings into the holes in the wall to mount the plate.

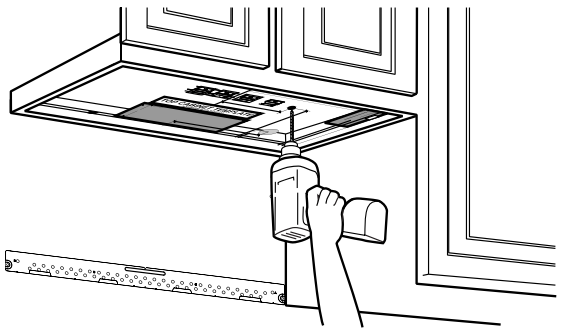
**NOTE:** Before tightening toggle bolts and wood screw, make sure the bottom of the mounting plate touch the bottom of the cabinet when pushed flush against the wall and that the plate is properly centered under the cabinet.

**CAUTION:** Be careful to avoid pinching fingers between the back of the mounting plate and the wall.

- 4 Tighten all bolts. Pull the plate away from the wall to help tighten the bolts.

## B4. USE TOP CABINET TEMPLATE FOR PREPARATION OF TOP CABINET

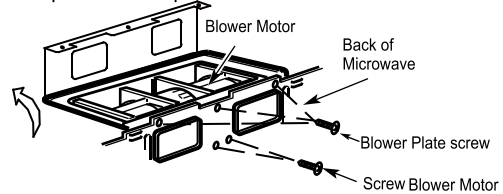
You need to drill holes for the top support screws and a hole large enough for the power cord to fit through.



- Read the instructions on the TOP CABINET TEMPLATE.
  - Tape it underneath the top cabinet.
  - Drill the holes, following the instructions on the TOP CABINET TEMPLATE.
- CAUTION:** Wear safety goggles when drilling holes in the cabinet bottom.

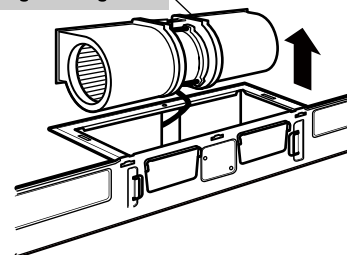
## B5. ADAPTING MICROWAVE BLOWER FOR OUTSIDE BACK EXHAUST

- 1 Remove and save screw that holds blower motor to microwave, lift up the blower plate.

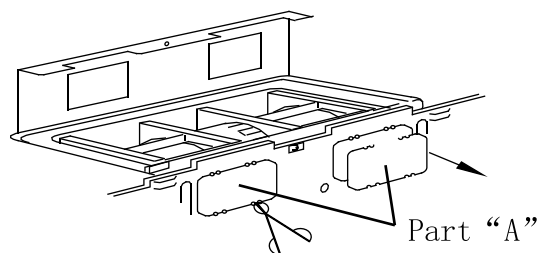


- 2 Carefully pull out the blower unit. The wires will extend far enough to allow you to adjust the blower unit.

**BEFORE: Fan Blade Openings Facing Front**



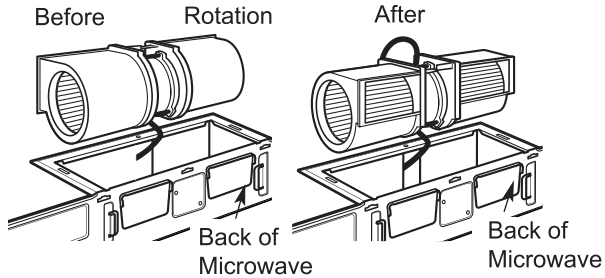
- 3 Remove "Part A" with Nipper or Scissors



# Installation Instructions

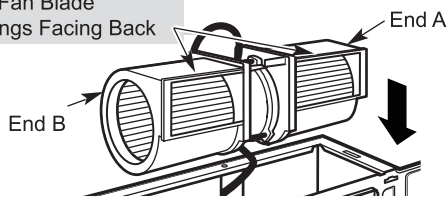
## B5. ADAPTING MICROWAVE BLOWER FOR OUTSIDE BACK EXHAUST (cont.)

- 4 Rotate blower unit counterclockwise 180 °



- 5 Place the blower unit back into the opening.

After: Fan Blade  
Openings Facing Back

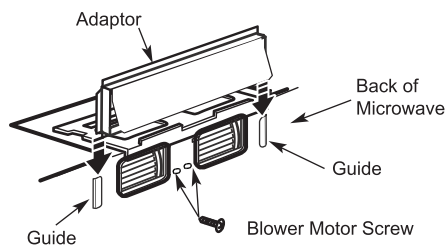


**CAUTION:** Do not pull or stretch the blower unit wiring. Make sure the wires are not pinched.

**NOTE:** The blower unit exhaust openings should match exhaust openings on rear of microwave oven.

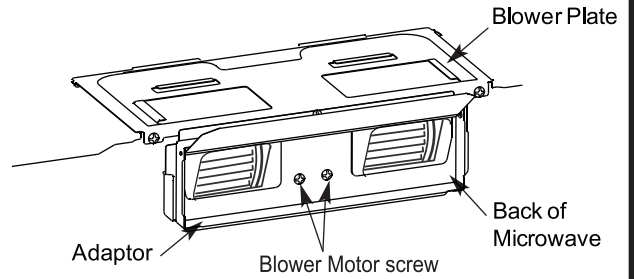
- 6 Replace the blower plate in the same position.

- 7 Attach the exhaust adaptor to the rear of the oven by sliding it into the guides at the top center of the back of the oven.

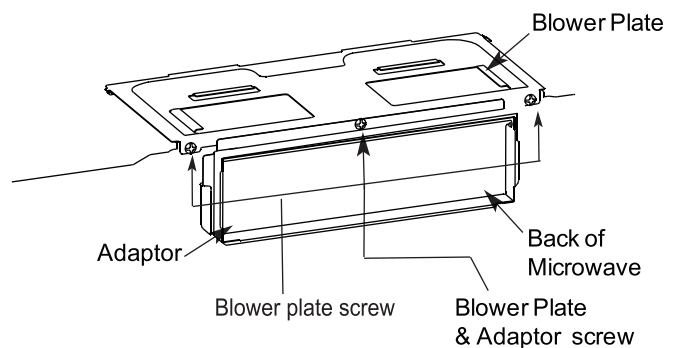


Push in securely until it is in the lower Blower Motor screw. Take care to assure that the damper hinge is installed so that it is at the top and that the damper swings freely.

- 8 Secure the blower motor unit to the microwave with screw as before.



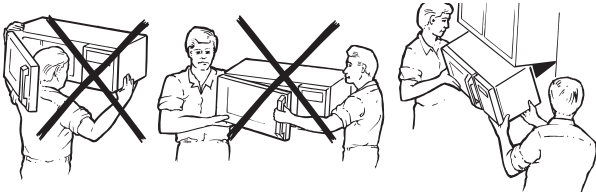
- 9 Secure the blower plate to the microwave with screw.





# Installation Instructions

## B6. MOUNT THE MICROWAVE OVEN



FOR EASIER INSTALLATION AND PERSONAL SAFETY, WE RECOMMEND THAT TWO PEOPLE INSTALL THIS MICROWAVE OVEN.

**IMPORTANT:** Do not grip or use the handle or heat shield during installation. Do not remove the cardboard spacers between the heat shield and door.

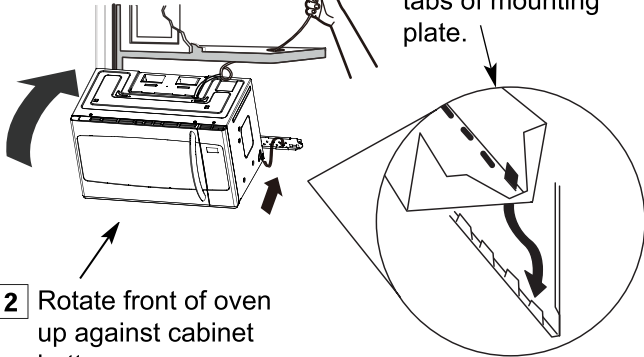
**NOTE:** If your cabinet is metal, use the nylon grommet around the power cord hole to prevent cutting of the cord.

**NOTE:** We recommend using filler blocks if the cabinet front hangs below the cabinet bottom shelf.

**IMPORTANT:** If filler blocks are not used, case damage may occur from overtightening screws.

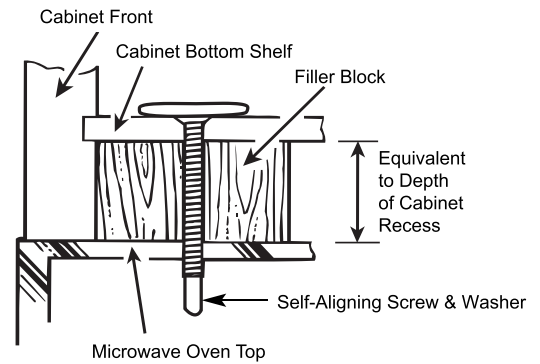
**NOTE:** When mounting the microwave oven, thread power cord through hole in bottom of top cabinet. Keep it tight throughout Steps 1-3. Do not pinch cord or lift oven by pulling cord.

**1** Lift microwave, tilt it forward, and hook slots at back bottom edge onto four lower tabs of mounting plate.



**2** Rotate front of oven up against cabinet bottom.

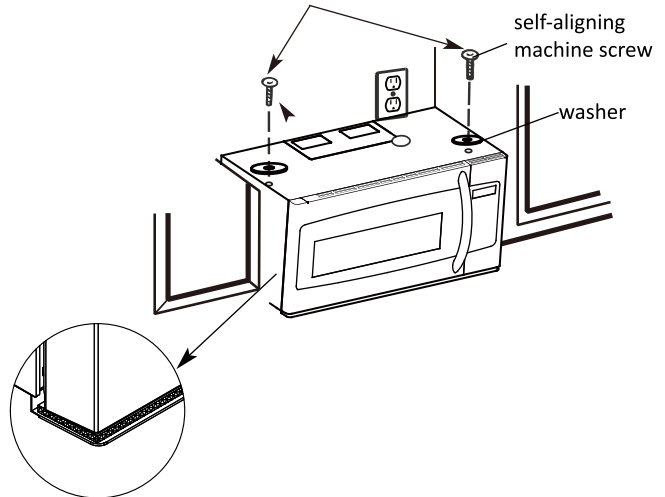
**3** Insert a self-aligning screw through top center cabinet hole. Temporarily secure the oven by turning the screw at least two full turns after the threads have engaged. (It will be completely tightened later.) Be sure to keep power cord tight. Be careful not to pinch the cord, especially when mounting flush to bottom of cabinet.



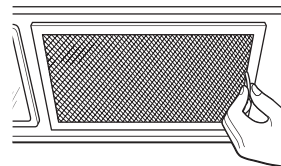
**4** Attach the microwave oven to the top cabinet.

**5** Insert 2 self-aligning screws through outer top cabinet holes. Turn two full turns on each screw.

Turn two full turns on each screw.



**6** Tighten the outer two screws to the top of the microwave oven. (While tightening screws, hold the microwave oven in place against the wall and the top cabinet.)



**7** Install grease filters. See the Use and Care packed with the microwave.

**IMPORTANT:** Remove the cardboard spacers between heat shield and door.



# Installation Instructions

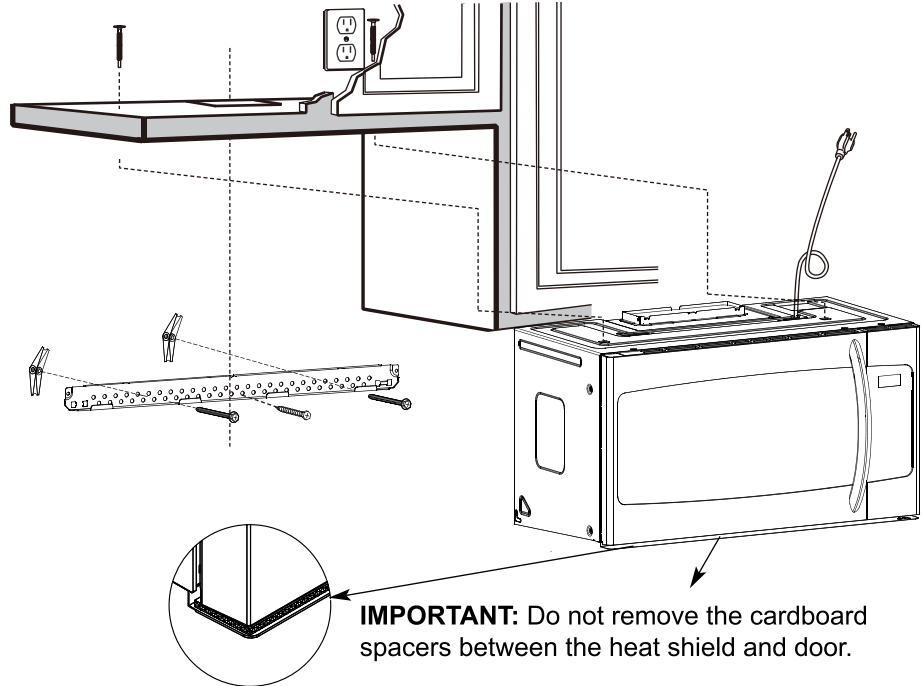
## C OUTSIDE TOP EXHAUST (Vertical Duct)

### INSTALLATION OVERVIEW

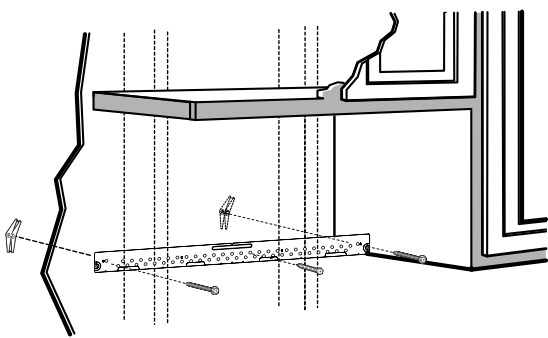
- C1. Attach Mounting Plate to Wall
- C2. Prepare Top Cabinet
- C3. Adapting Microwave Blower for Outside Top Exhaust
- C4. Check Damper Operation
- C5. Mount Microwave oven
- C6. Adjust Exhaust Adaptor
- C7. Connect Ductwork

#### IMPORTANT NOTES:

- Make sure the screws for the blower motor and blower plate are securely tightened when they are reinstalled. This will help to prevent excessive vibration.
- Make sure the motor wiring has been properly routed and secured, and that the wires are not pinched.



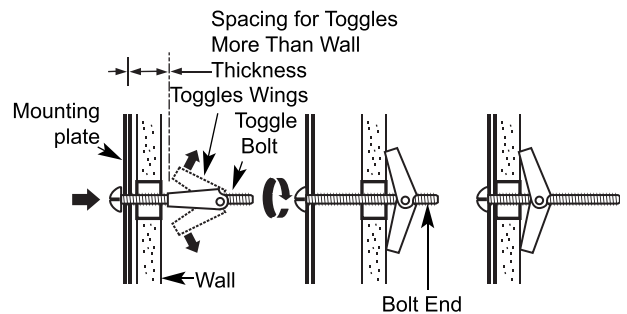
### C1. ATTACH THE MOUNTING PLATE TO THE WALL



Attach the plate to the wall using toggle bolt. At least one wood screw must be used to attach the plate to a wall stud.

- 1 Remove the toggle wings from the bolts.
- 2 Insert the bolts into the mounting plate through the holes designated to go into drywall and reattach the toggle wings to  $\frac{3}{4}$ " (19 mm) onto each bolt.

### To use toggle bolts:



- 3 Place the mounting plate against the wall and insert the toggle wings into the holes in the wall to mount the plate.

**NOTE:** Before tightening toggle bolts and wood screw, make sure the bottom of the mounting plate touch the bottom of the cabinet when pushed flush against the wall and that the plate is properly centered under the cabinet.

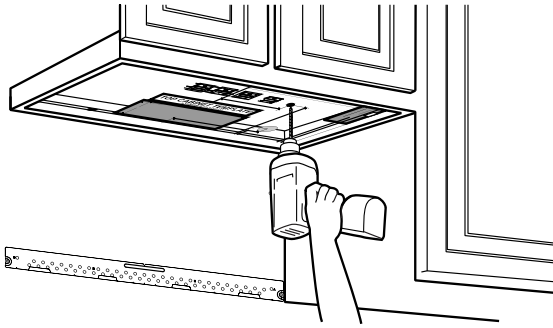
**CAUTION:** Be careful to avoid pinching fingers between the back of the mounting plate and the wall.

- 4 Tighten all bolts. Pull the plate away from the wall to help tighten the bolts.

# Installation Instructions

## C2. USE TOP CABINET TEMPLATE FOR PREPARATION OF TOP CABINET

You need to drill holes for the top support screws, a hole large enough for the power cord to fit through, and a cutout large enough for the exhaust adaptor.

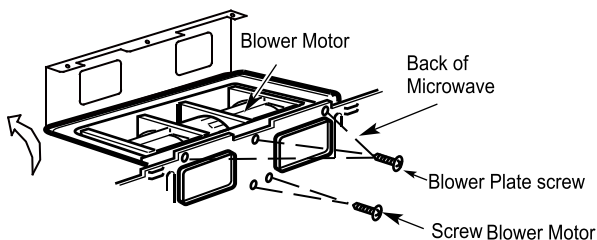


- Read the instructions on the TOP CABINET TEMPLATE.
- Tape it underneath the top cabinet.
- Drill the holes, following the instructions on the TOP CABINET TEMPLATE.

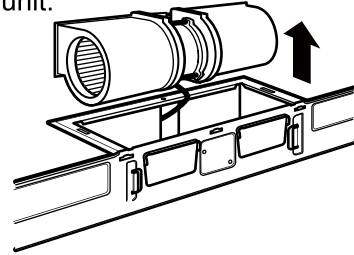
**CAUTION:** Wear safety goggles when drilling holes in the cabinet bottom.

## C3. ADAPTING MICROWAVE BLOWER FOR OUTSIDE TOP EXHAUST

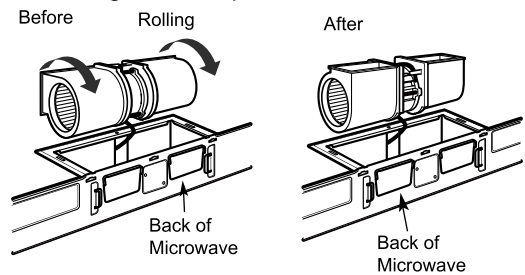
- 1 Remove and save screws that holds blower plate to microwave. Remove and save the screw holding the blower motor to the microwave. Lift up the blower plate.



- 2 Carefully pull out the blower unit. The wires will extend far enough to allow you to adjust the blower unit.

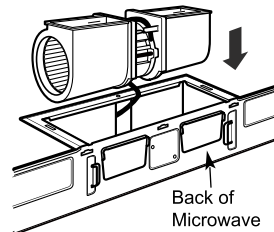


- 3 Roll the blower unit 90° so that fan blade openings are facing out the up of the microwave.



- 4 Place the blower unit back into the opening.

AFTER: Fan Blade Openings Facing UP



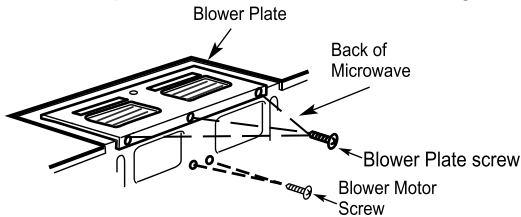
**CAUTION:** Do not pull or stretch the blower unit wiring. Making sure the wires are not pinched.

**NOTE:** The blower unit to the microwave with the match exhaust openings on rear of microwave oven.

# Installation Instructions

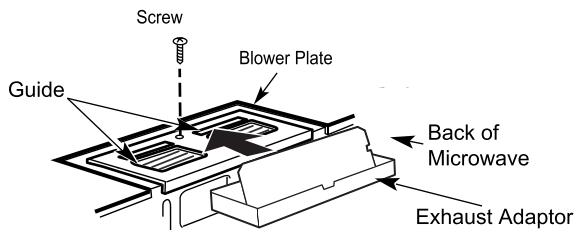
## C3. ADAPTING MICROWAVE BLOWER FOR OUTSIDE TOP EXHAUST (cont.)

- 5 Secure the blower unit to the microwave with the screw from Step 1. Make sure the screw is tight.



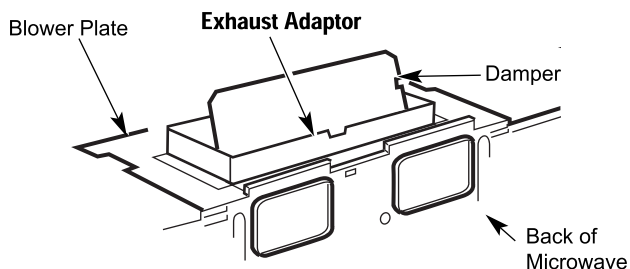
- 6 Replace the blower plate with the screw removed in step 1. Make sure the screw is tight.

- 7 Attach the exhaust adaptor to the top of the blower plate by sliding it into the guides of the blower plate. Secure the exhaust adaptor with the screw from hardware packet.



Take care to assure that the damper hinge is installed so that the damper swings freely.

## C4. CHECK FOR PROPER DAMPER OPERATION



- Make sure tape securing damper is removed and damper pivots easily before mounting microwave.
- You will need to make adjustments to assure proper alignment with your house exhaust duct after the microwave is installed.

## C5. MOUNT THE MICROWAVE OVEN



FOR EASIER INSTALLATION AND PERSONAL SAFETY, WE RECOMMEND THAT TWO PEOPLE INSTALL THIS MICROWAVE OVEN.

**IMPORTANT:** Do not grip or use the handle or heat shield during installation. Do not remove the cardboard spacers between the heat shield and door.

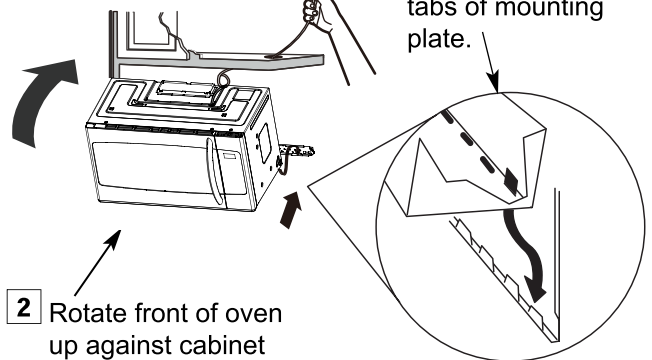
**NOTE:** If your cabinet is metal, use the nylon grommet around the power cord hole to prevent cutting of the cord.

**NOTE:** We recommend using filler blocks if the cabinet front hangs below the cabinet bottom shelf.

**IMPORTANT:** If filler blocks are not used, case damage may occur from overtightening screws.

**NOTE:** When mounting the microwave oven, thread power cord through hole in bottom of top cabinet. Keep it tight throughout Steps 1-3. Do not pinch cord or lift oven by pulling cord.

- 1 Lift microwave, tilt it forward, and hook slots at back bottom edge onto four lower tabs of mounting plate.

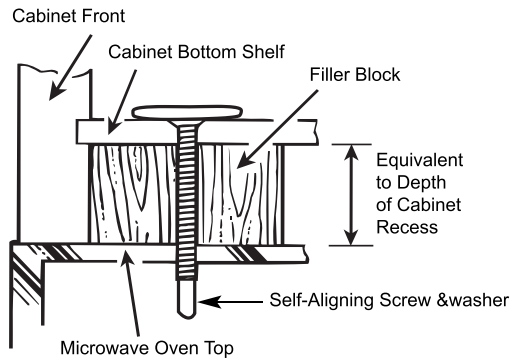


- 2 Rotate front of oven up against cabinet bottom.

- 3 Insert a self-aligning screw through top center cabinet hole. Temporarily secure the oven by turning the screw at least two full turns after the threads have engaged. (It will be completely tightened later.) Be sure to keep power cord tight. Be careful not to pinch the cord, especially when mounting flush to bottom of cabinet.

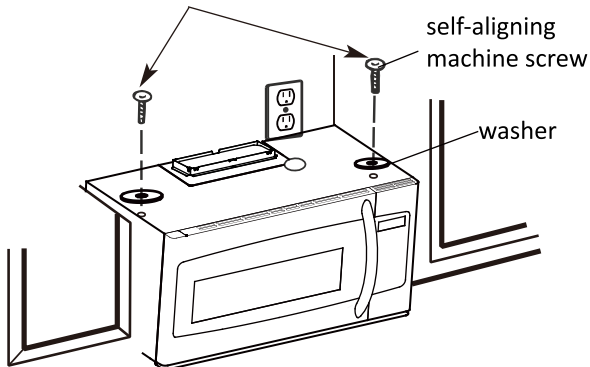
# Installation Instructions

## C5. MOUNT THE MICROWAVE OVEN (cont.)

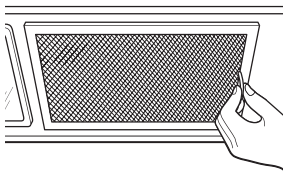


**4** Attach the microwave oven to the top cabinet.

**5** Insert 2 self-aligning screws through outer top cabinet holes. Turn two full turn on each screw.



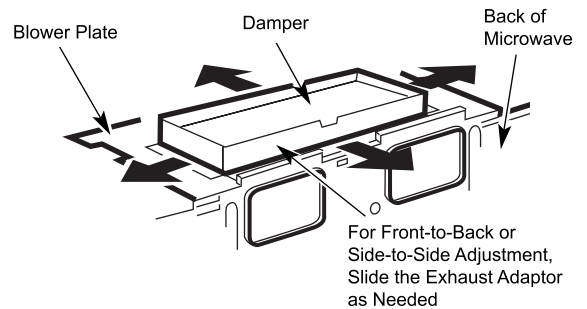
**6** Tighten the outer two screws to top of the microwave oven. (While tightening screws, hold the microwave oven in place against the wall and the top cabinet.)



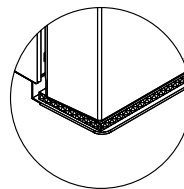
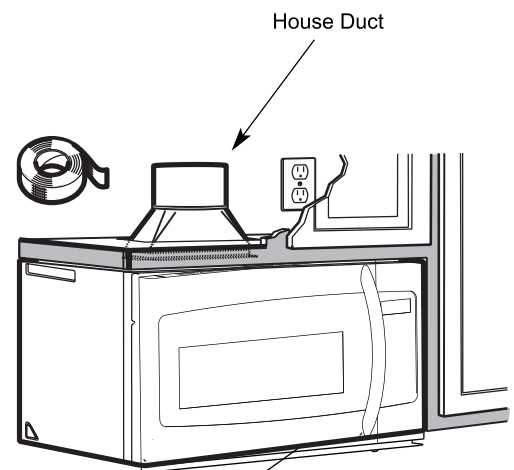
**7** Install grease filters. See the Use and Care packed with the microwave.

## C6. ADJUST THE EXHAUST ADAPTOR

Open the top cabinet and adjust the exhaust adaptor to connect to the house duct.



## C7. CONNECTING DUCTWORK



**1** Extend the house duct down to connect to the exhaust adaptor.

**2** Seal exhaust duct joints using furnace duct tape for high temperature applications.

**IMPORTANT:** Remove the cardboard spacers between heat shield and door.

# Installation Instructions

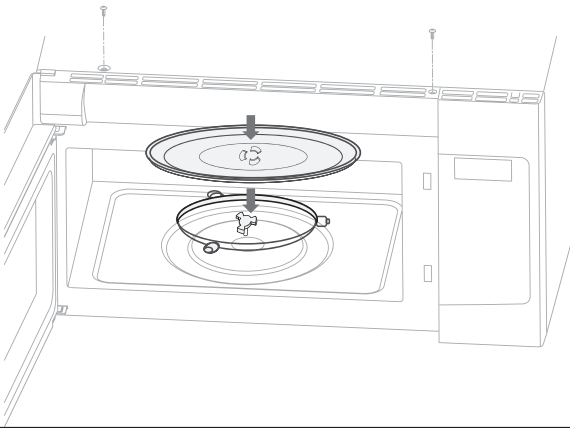
## BEFORE YOU USE YOUR MICROWAVE

- 1.** Make sure the microwave oven has been installed according to instructions.

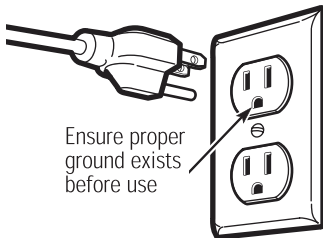


- 2.** Remove all packing material from the Microwave oven.

- 3.** Install turntable ring and glass tray in cavity.

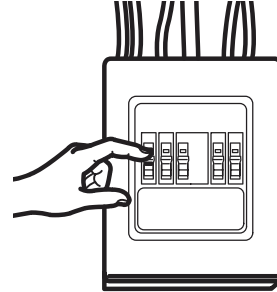


- 4.** Plug power cord into a separate and dedicated 15- to 20-amp electrical outlet.



Ensure proper ground exists before use

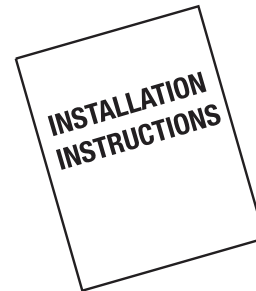
- 5.** Replace house fuse or turn breaker back on.



- 6.** Read the USE & CARE Manual.

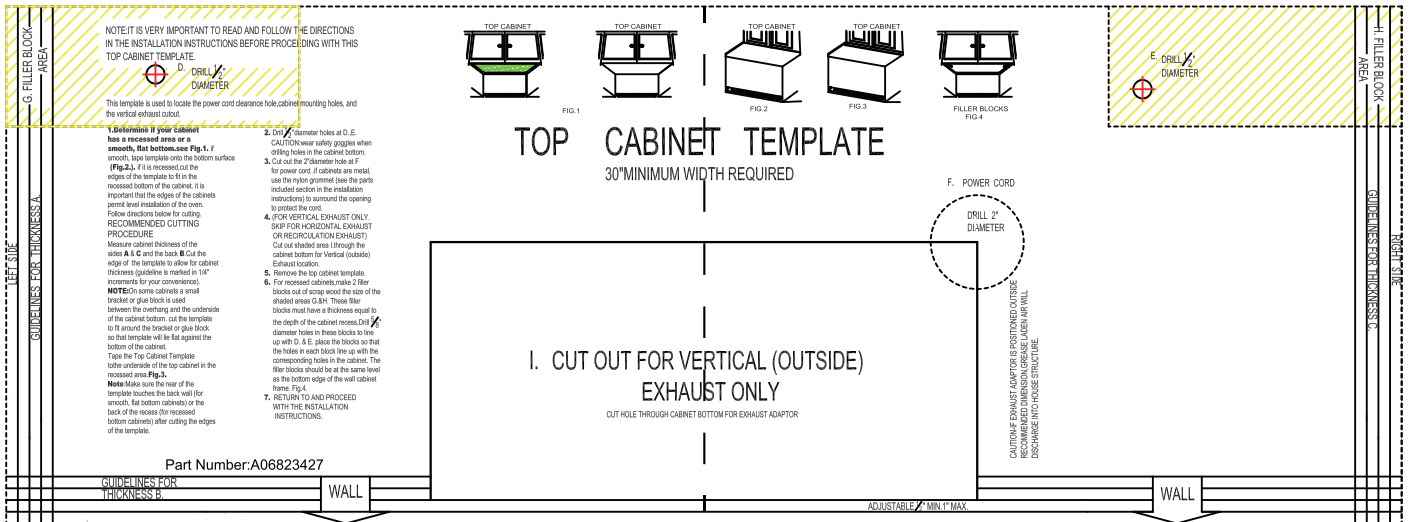
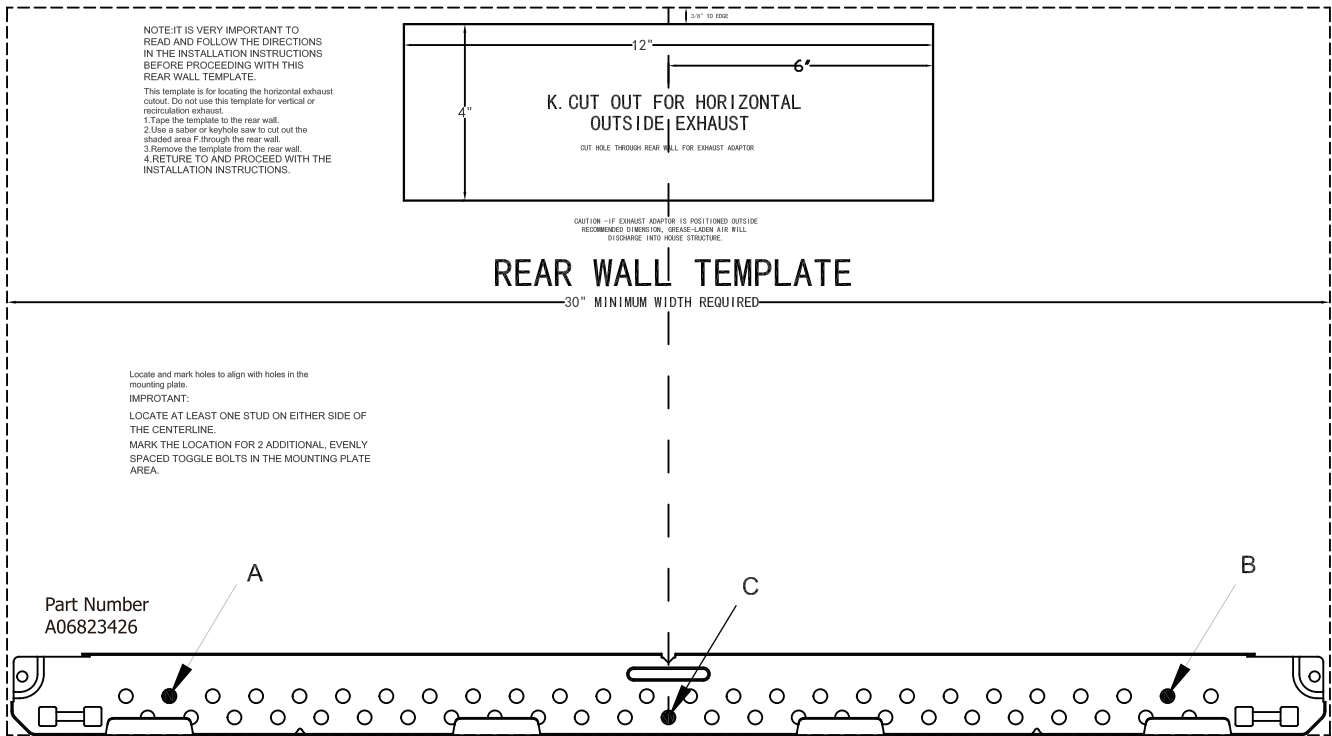


- 7.** KEEP INSTALLATION INSTRUCTIONS FOR THE LOCAL INSPECTOR'S USE.



- 8.** FILL OUT PRODUCT REGISTRATION CARD AND SEND IN.





# TOP CABINET TEMPLATE

# Instrucciones de instalación

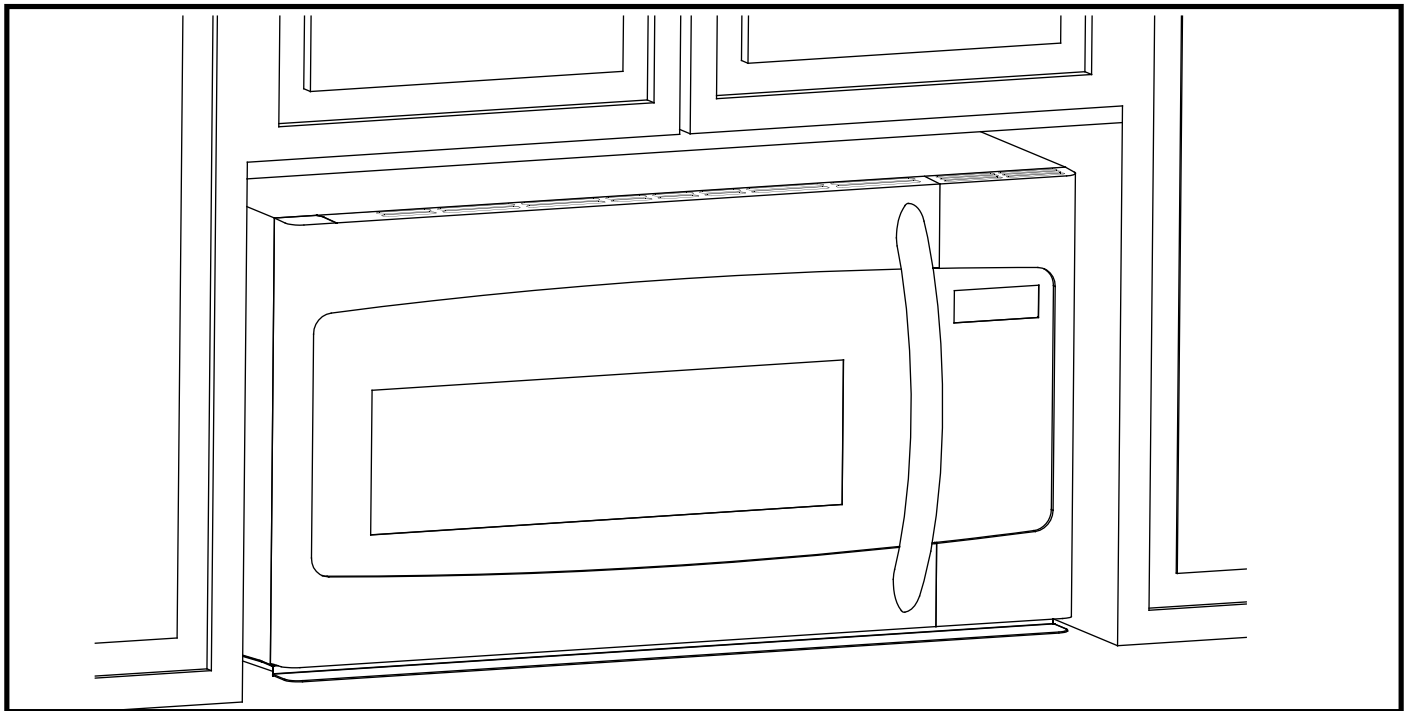
# Sobre la estufa Horno de microondas

¿Preguntas? Llame al 1-800-944-9044(EE.UU.)

## ANTES DE EMPEZAR

Lea estas instrucciones completa y atentamente.

- **IMPORTANTE**— guarde estas instrucciones para el uso del inspector local.
- **IMPORTANTE**— observe todos los códigos y ordenanzas vigentes
- **Nota para Instalador** — asegúrese de dejar estas instalaciones con el consumidor.
- **NOTA para Consumidor** — conserve estas instrucciones para referencia futura.
- **Nivel de habilidad** — la instrucción de este aparato requiere habilidades mecánicas y eléctricas básicas.
- La instalación correcta es responsabilidad del instalador.
- El fallo del producto debido a una instalación incorrecta no está cubierta por la Garantía.



**LEA ATENTAMENTE.  
CONSERVE ESTAS INSTRUCCIONES.**

**p/n A06823424  
Septiembre 2019**





# Instrucciones de Instalación

## CONTENIDOS

### Información general

Instrucciones de Seguridad Importantes .....	3
Requisitos Eléctricos .....	3
Daño – Envío/Instalación .....	4
Piezas Incluidas .....	4
Herramientas Necesarias .....	5
Espacio de Montaje .....	5

### Guía de instalación paso a paso

Colocación de la Placa de Montaje .....	6-8
Quitar el Placa de Montaje .....	6
Encontrar el Poste de Pared .....	6
Determinar la ubicación de la Placa de Pared .....	7
Alinear la Placa de Pared .....	8
Tipos de Instalación .....	9

<b>A</b> Recirculando .....	10-13
Fijar la Placa de Montaje a la Pared .....	10
Preparación de Gabinete Superior .....	11
Chequear Placa de Soplador .....	11
Montar el Horno de Microondas .....	12-13
Instalar o Cambiar INSTRUCCIONES DE INSTALACIÓN PARA CONDUCTO DE ESCAPE EXTERNO .....	14
ESCAPE SUPERIOR EXTERIOR (SOLO EJEMPLO) ESCAPE TRASERO EXTERIOR (SOLO EJEMPLO) .....	15

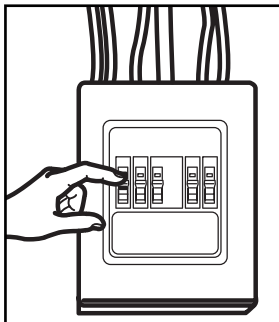
<b>B</b> Escape Trasero Exterior .....	16-19
Preparar Pared Trasera para Escape Trasero Exterior .....	16
Quitar Placa de Soplador .....	16
Fijar la Placa de Montaje a la Pared .....	17
Preparación de Gabinete Superior .....	17
Adaptar Soplador de Microondas para Escape Trasero Exterior .....	17-18
Montar el Horno de Microondas .....	19

<b>C</b> Escape Superior Exterior .....	20-23
Fijar la Placa de Montaje a la Pared .....	20
Preparación de Gabinete Superior .....	21
Adaptar Soplador de Microondas para Escape Superior Exterior .....	21-22
Chequear para Operación de Amortiguador Adecuada .....	22
Montar el Horno de Microondas .....	22-23
Ajustar el Adaptador de Escape .....	23
Conectar Conductos .....	23
Antes de Usar el Horno de Microondas .....	24
Información de Plantilla .....	25

# Instrucciones de Instalación

## IMPORTANTE INSTRUCCIONES DE SEGURIDAD

Este producto requiere una toma puesta a tierra con tres clavijas. El instalador debe realizar una verificación de continuidad de conexión a tierra en la caja de toma de corriente antes de comenzar la instalación para asegurarse de que la caja de toma esté correctamente conectada a tierra. Si no está debidamente puesto a tierra, o si la caja de salida no cumple con los requisitos eléctricos indicados (bajo REQUISITOS ELÉCTRICOS), se debe emplear un electricista calificado para corregir todas las deficiencias.



**PRECAUCIÓN:** Para la seguridad personal, retire el fusible de la casa o abra el cortacircuitos antes de mpezar l a instalación para evitar lesiones graves o fatales por descargas.

**PRECAUCIÓN:** para la seguridad personal, la superficie de montaje debe ser capaz de soportar la carga del gabinete, además del peso agregado de este producto de 63-85 libras (28.5-38.5 kg), más cargas adicionales del horno de hasta 50 libras (22.7 kg) o un peso total de 113-135 libras (51.3-61.2kg).

**PRECAUCIÓN:** para la seguridad personal, este producto no puede instalarse en arreglos de gabinetes como una isla o una península. Debe montarse TANTO en un gabinete superior COMO en una pared.

**NOTA:** Para una instalación más fácil y seguridad personal, se recomienda que instalen este producto entre dos personas.

**IMPORTANTE- POR FAVOR LEA CUIDADOSAMENTE. POR SEGURIDAD PERSONAL. ESTE APARATO DEBE CONECTARSE A TIERRA ADECUADAMENTE PARA EVITAR DESCARGAS GRAVES O FATALES.**



El cable de alimentación de este aparato está equipado con un enchufe de tres clavijas (puesto a tierra) que se acopla con un receptáculo de pared estándar de tres patas (puesto a tierra) para minimizar la posibilidad de peligro de descarga eléctrica de este aparato.

Debe hacer que un electricista calificado compruebe el receptáculo de pared y el circuito para asegurarse de que el receptáculo esté debidamente puesto a tierra.

Cuando se encuentra un receptáculo de pared estándar de dos clavijas, es muy importante que un electricista calificado lo reemplace con un receptáculo de pared de tres clavijas debidamente puesto a tierra.

**NO, BAJO NINGUNA CIRCUNSTANCIA, CORTE EL DEFORMO O QUITA CUALQUIERA DE LAS CLAVIJAS DEL CABLE DE ALIMENTACIÓN. NO USE CABLE DE EXTENSIÓN.**

## REQUISITOS ELÉCTRICOS

La clasificación del producto es de 120 voltios de CA, 60 hercios, 14 amperios y 1,55 kilovatios. Este producto debe estar conectado a un circuito de suministro separado y dedicado del voltaje y frecuencia adecuados. El tamaño del cable debe cumplir con los requisitos del Código Eléctrico Nacional o el código local vigente para esta clasificación de kilovatios.

El cable y el enchufe de la fuente de alimentación deben llevarse a una toma puesta a tierra separada y dedicada de 15 a 20 amperios. La caja de salida debe ubicarse en el gabinete sobre el horno de microondas. La caja de salida y el circuito de alimentación deben ser instalados por un electricista calificado y cumplir con el Código Eléctrico Nacional o el código local vigente.


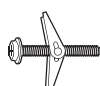


# Instrucciones de Instalación

## DAÑO-ENVÍO/ INSTALACIÓN

- Si la unidad se daña durante el envío, devuélvala a la tienda donde la compró para la reparación o reemplazo.
- Si la unidad es dañada por el cliente, la reparación o el reemplazo es responsabilidad del cliente.
- Si la unidad es dañada por el instalador (si no es el cliente), la reparación o el reemplazo deben hacerse por acuerdo entre el cliente y el instalador.

## PIEZAS INCLUYEN



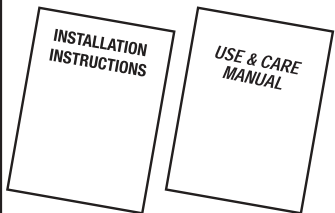
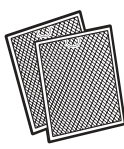
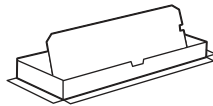


### PAQUETE DE HARDWARE

PIEZA		CANTIDAD
	Tornillos para madera (1/4 " X 2")	2
	Delanteros de palanca (y tuercas de mariposa) (3/16 " X 3")	2
	Tornillos de máquina de alineación automática (1/4 " -20 X3 ")	2
	Arandela de nylon (para armarios metálicos)	1

Encontrará el hardware de instalación en un paquete con la unidad. Verifique para asegurarse de tener todas estas piezas.

**NOTA:** se incluyen algunas piezas adicionales.

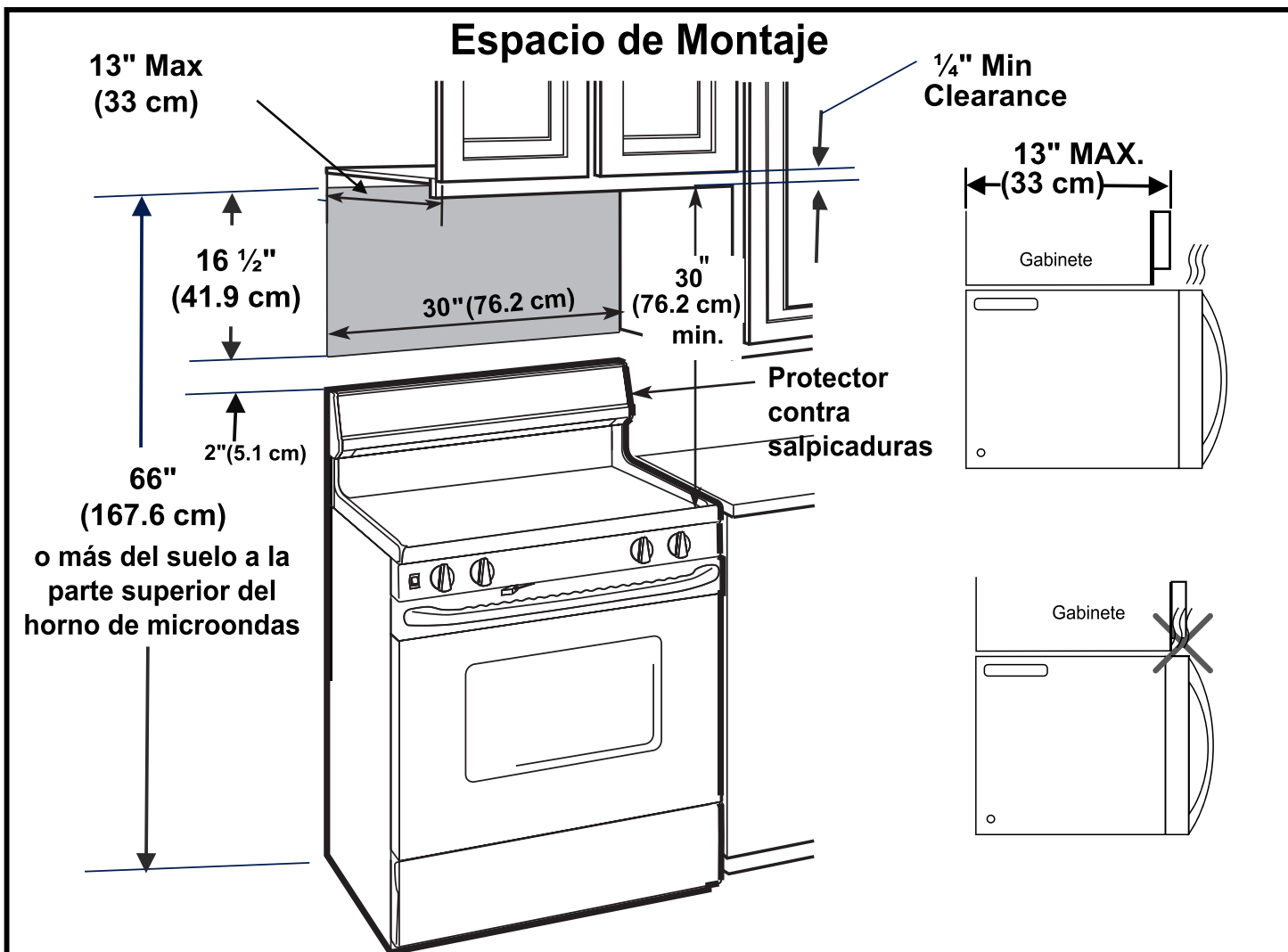
## PIEZAS INCLUYEN (CONT.) PIEZAS ADICIONALES

PIEZA		CANTIDAD
	Plantilla de Gabinete Superior	1
	Plantilla de Pared Trasera	1
	Instrucciones de Instalación	1
	Manual de uso y cuidado	1
	Filtros de grasa empaquetados por separado	2
	Adaptador de escape	1
	Bandeja de vidrio	1
	Anillo giratorio	1

# Instrucciones de Instalación

## Herramientas Necesarias:

- Cinta métrica
- Sierra de agujero
- Buscador de delanteros o martillo
- Nivel
- Conducto y cinta adhesiva
- Tijeras
- Destornillador Phillips #1
- Taladro eléctrico
- Broca de 3/16", 1/2", 5/8"
- Bloques de madera de relleno para armarios empotrados
- Recortes de estaño



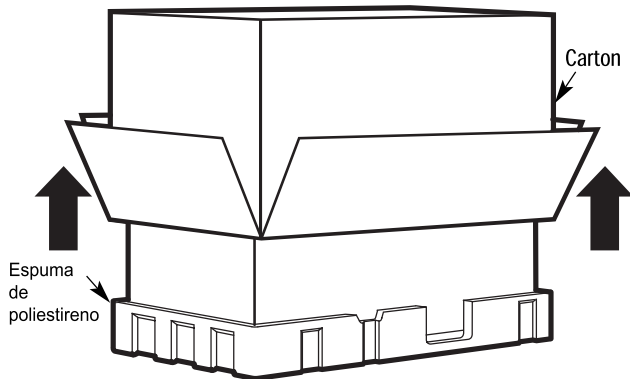
- El espacio entre los gabinetes debe ser de 30 "(76,2 cm) de ancho y sin obstrucciones.
- Si va a ventilar el horno de microondas al exterior, consulte la Sección de Escape de Campana para la preparación del conducto de escape.
- Al instalar el horno de microondas debajo de gabinetes lisos y planos, tenga cuidado de seguir las instrucciones en la plantilla del gabinete superior para la separación del cable de alimentación.
- Como guía de instalación, consulte la página 26 para obtener información sobre la Plantilla de Montaje.
- Si la profundidad del gabinete, incluidas las puertas del gabinete, es superior a 13, entonces la unidad debe estar separada de la pared utilizando materiales adecuados que soporten 150 bs para permitir la extracción / admisión de aire de ventilación superior adecuada.

# Instrucciones de Instalación

## 1 COLOCACIÓN DE LA PLACA DE MONTAJE

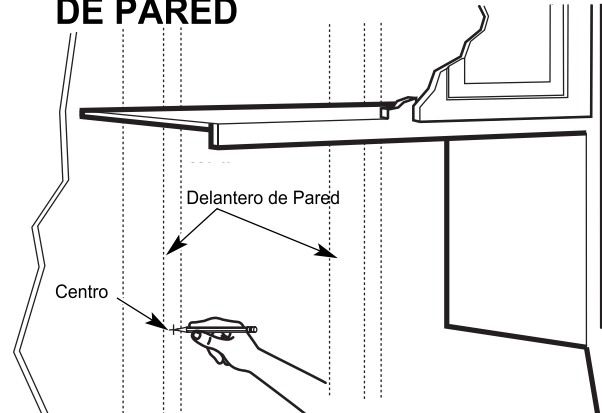
### A. SACAR EL HORNO DE LA CAJA DE CARTÓN/ QUITAR LA PLACA DE MONTAJE

- 1 Retire las instrucciones de instalación, los filtros, la bandeja de vidrio y la pequeña bolsa de hardware. No quite la espuma de poliestireno que protege la parte delantera del horno.
- 2 Doble hacia atrás las 4 solapas del cartón completamente contra los lados del cartón. Luego, gire con cuidado el horno y el cartón sobre el lado superior. El horno debe estar reposado en la espuma de poliestireno.



- 3 Tire del cartón hacia arriba y sepárelo del horno.
- 4 Retire y deseche las bolsas de plástico adecuadamente.

### B. ENCONTRAR LOS DELANTEROS DE PARED



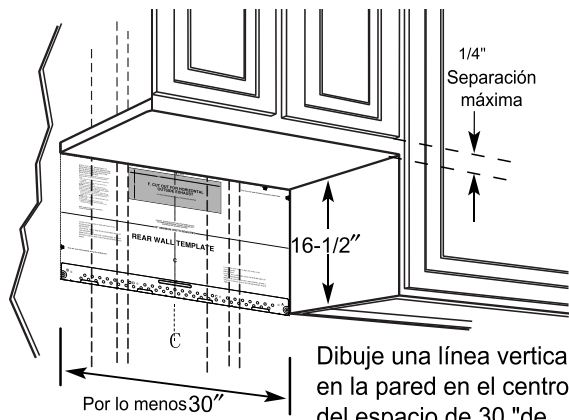
- 1 Encuentre los delanteros, utilizando uno de los siguientes métodos:
  - A. Buscador de delantero-un dispositivo magnético que localiza los clavos.
  - B. Use un martillo para golpear ligeramente la superficie de montaje para encontrar un sonido sólido. Esto indicará la ubicación de un delantero.
- 2 Después de ubicar el (los) delantero (s), encuentre el centro sondeando la pared con un pequeño clavo para encontrar los bordes del delantero. Luego coloque una marca a medio camino entre los bordes. El centro de cualquier delantero adyacente debe estar a 16 (40,6 cm) o 24 "(61 cm) de esta marca.
- 3 Dibuje una línea en el centro de los delanteros.

**EL MICROONDAS DEBE ESTAR CONECTADO AL MENOS A UN ESTUDIO DE PARED.**

# Instrucciones de Instalación

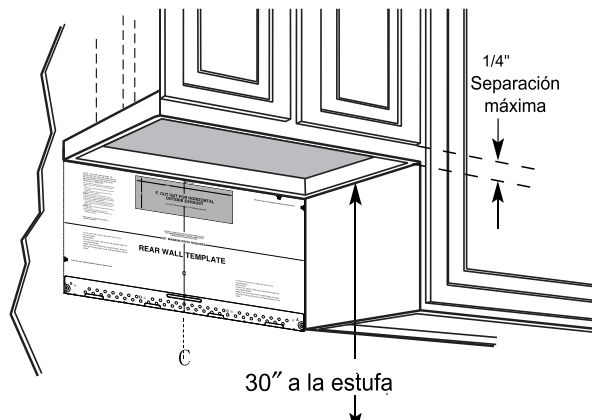
## C. DETERMINAR LA UBICACIÓN DE LA PLACA DE PARED BAJO EL GABINETE

### Posición de placa - debajo del gabinete de fondo plano



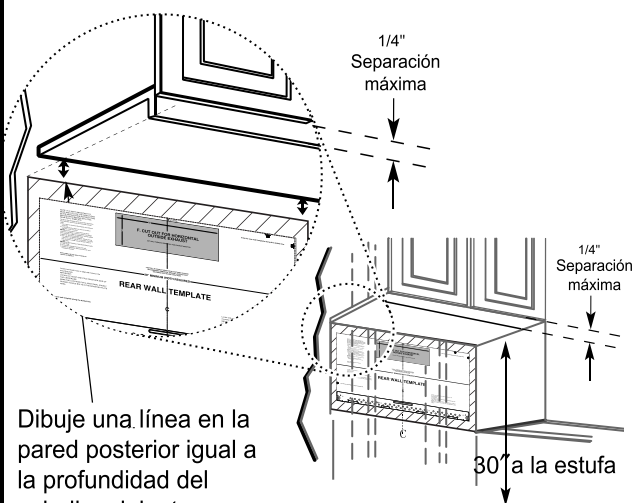
Dibuje una línea vertical en la pared en el centro del espacio de 30 "de ancho. Pegue la plantilla de la pared trasera en la pared alineando con la línea central y tocando la parte inferior del gabinete.

### Posición de placa - debajo del fondo del gabinete empotrado



Dibuje una línea vertical en la pared en el centro del espacio de 30 "de ancho. Pegue la plantilla de la pared trasera en la pared alineando con la línea central y tocando el marco del gabinete inferior.

### Posición de placa - debajo del gabinete inferior empotrado con voladizo delantero



Dibuje una línea en la pared posterior igual a la profundidad del voladizo delantero.

Sus gabinetes pueden tener adornos decorativos que interfieren con la instalación de microondas. Retire el adorno decorativo para instalar el microondas correctamente y nivélelo.

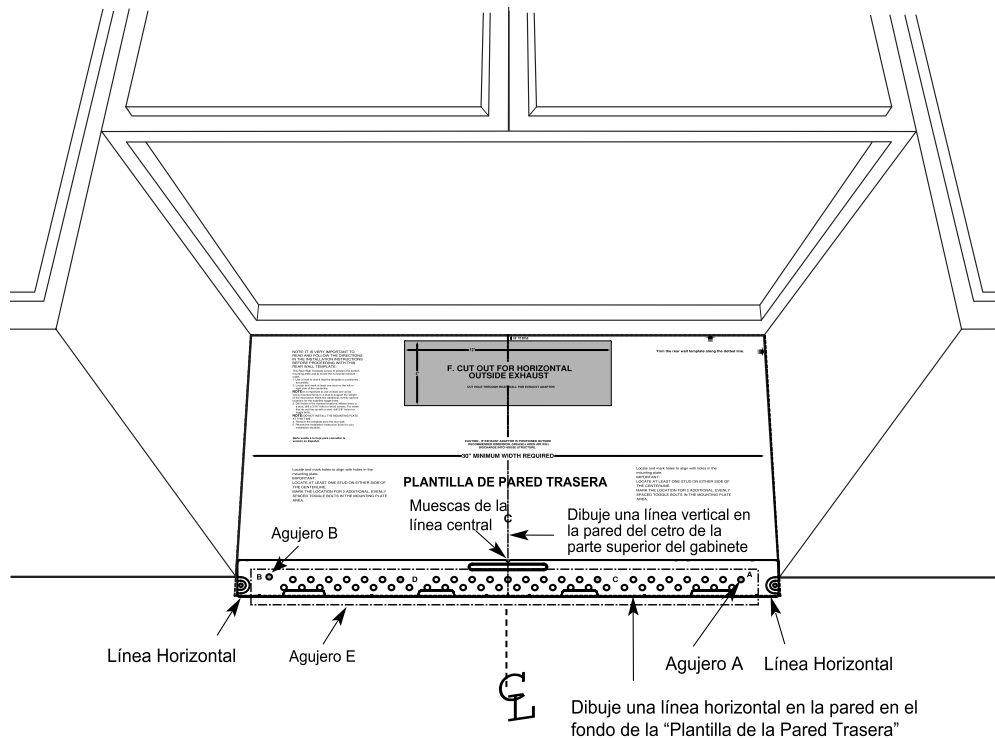
**LA MICROONDAS DEBE SER NIVELADA.**

Use un nivel para asegurarse de que el fondo del gabinete esté nivelado. Si los gabinetes tienen solo un voladizo delantero, sin marco trasero o lateral, instale la placa de montaje a la misma distancia que la profundidad del voladizo delantero. Esto mantendrá el nivel de microondas.

- 1 Mida la profundidad interior del voladizo delantero.
- 2 Dibuje una línea horizontal en la pared trasera a una distancia igual debajo del fondo del gabinete como la profundidad interior del voladizo delantero.
- 3 Para este tipo de instalación solo con voladizo delantero, alinee las pestañas de montaje con esta línea horizontal, sin tocar la parte inferior del gabinete como se describe en el Paso D.

# Instrucciones de Instalación

## D. ALINEAR LA PLACA DE PARED



- 1 Dibuje una línea vertical en la pared en el centro del espacio de 30" de ancho.
- 2 Dibuje una línea horizontal en la pared en el centro de la "Plantilla de la Pared Trasera".
- 3 Encuentre un área de poste de pared "E" de la placa de montaje. Consulte la sección 1B. Encuentre los postes de la pared.
- 4 Para fijar la placa de montaje al poste, perforo un agujero de 3/16" en el poste de madera. Perfore un agujero de 5/8" para el perno de palanca en otra posición (agujero A u agujero B).

**NOTA:** los agujeros A y B están dentro del área E. Si ninguno de los agujeros A y B están en un poste, encuentre un lugar en el área E y dibuje un círculo para alinearse con el poste. Es **IMPORTANTE** tener al menos un tornillo de madera montado firmemente en un poste para soportar el peso del microondas. Coloque la placa de montaje a un lado.

**NOTA: NO MONTE LA PLACA EN ESTE MOMENTO.**

# Instrucciones de Instalación

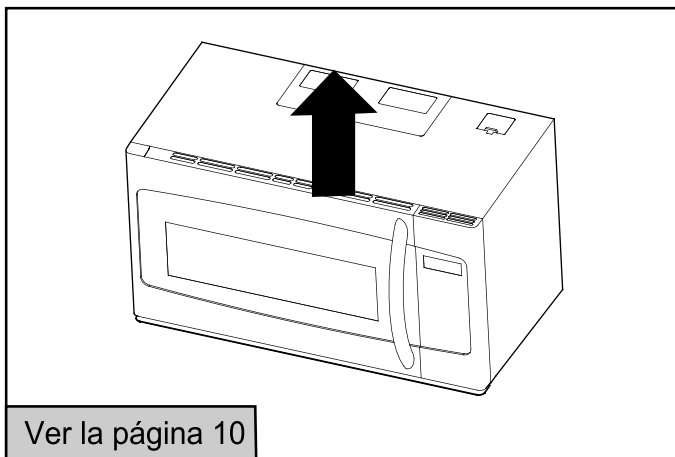
## 2 TIPOS DE INSTALACIÓN (Elegir A,B o C)

Este horno de microondas está diseñado para adaptarse a los siguientes tres tipos de ventilación:

- A. Recirculación (Sin Conductos Sin Ventilación)
- B. Escape Trasero Exterior (Conducto Horizontal)
- C. Escape Superior Exterior (Conducto Vertical)

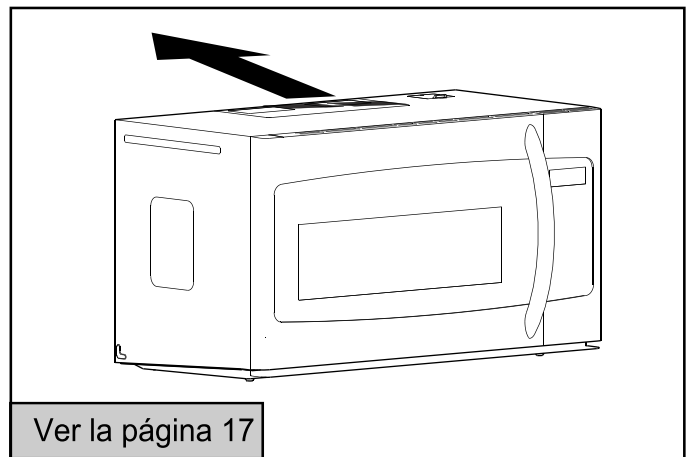
**NOTA:** Este microondas se envía ensamblado para la recirculación. Seleccione el tipo de ventilación requerida para su instalación y continúe con esa sección.

### A RECIRCULACIÓN (SIN CONDUCTOS SIN VENTILACIÓN)

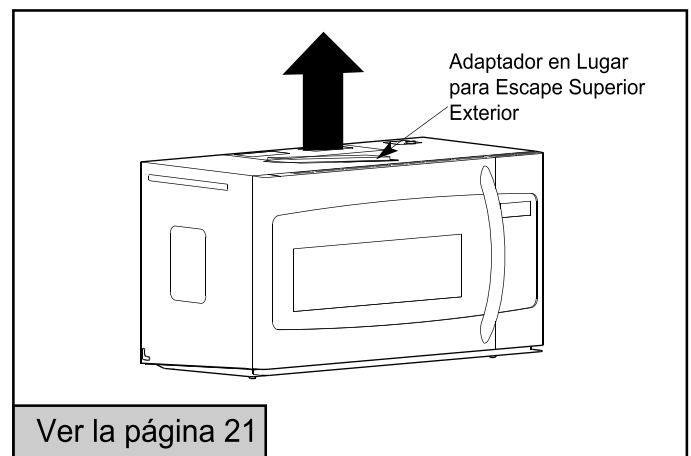


Los modelos se envían para recircular el escape. Algunos modelos tienen un filtro de carbón desechable instalado para ayudar a eliminar el humo y los olores.

### B ESCAPE TRASERO EXTERIOR (CONDUCTO HORIZONTAL)



### C ESCAPE SUPERIOR EXTERIOR (CONDUCTO VERTICAL)



**NOTA:** Lea las páginas 14-15 solo si planea ventilar el escape hacia fuera. Si planea recircular el aire de regreso a la habitación, proceda a la página 10.



# Instrucciones de Instalación

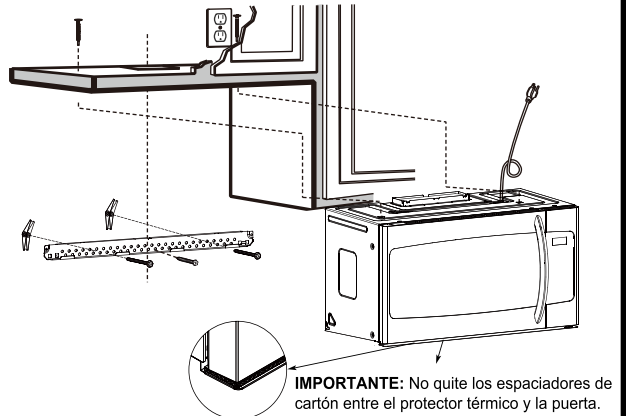
## A RECIRCULACIÓN (Sin Conductos Sin Ventilación)

### DESCRIPCIÓN GENERAL DE LA INSTALACIÓN

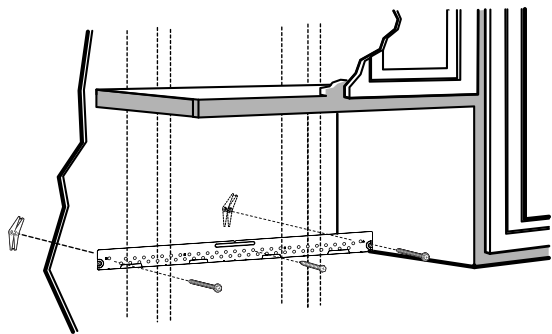
- A1. FIJAR LA PLACA DE MONTAJE A LA PARED
- A2. USAR LA PLANTILLA DEL GABINETE SUPERIOR PARA LA PREPARACIÓN DEL GABINETE SUPERIOR
- A3. CHEQUEAR LA PLACA DE SOPLADOR
- A4. MONTAR EL HORNO DE MICROONDAS
- A5. INSTALAR O CAMBIAR EL FILTRO DE CARBÓN

#### NOTAS IMPORTANTES:

- Asegúrese de que los tornillos del motor del soplador y la placa del soplador estén bien apretados cuando se vuelvan a instalar. Esto ayudará a evitar vibraciones excesivas.
- Asegúrese de que el cableado del motor se haya enrutado y asegurado correctamente y que los cables no estén pellizcados.



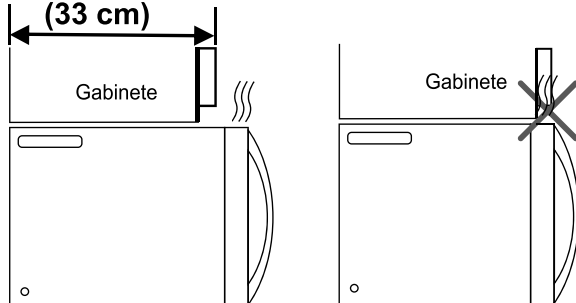
### A1. FIJAR LA PLACA DE MONTAJE A LA PARED



Fije la placa a la pared con pernos de palanca.  
Se debe usar al menos un tornillo de madera para fijar la placa a un poste de pared.

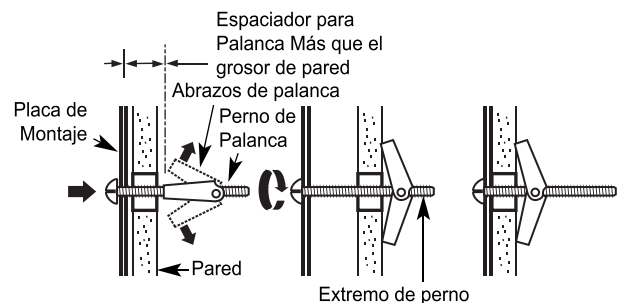
**NOTA:** Si la profundidad del gabinete, incluidas las puertas del gabinete, es superior a 13", entonces la unidad debe estar espaciada fuera de la pared utilizando materiales adecuados que soporten 150 lb para permitir la extracción / admisión de aire de ventilación superior adecuada.

13" MAX.  
(33 cm)



- 1 Retire los brazos de palanca de los tornillos.
- 2 Inserte los pernos en la placa de montaje a través de los agujeros designados para entrar en el panel y vuelva a fijar los brazos de palanca a 3/4 "(19 mm) en cada perno.

#### A usar pernos de palanca:



- 3 Coloque la placa de montaje contra la pared e inserte los brazos de palanca en los agujeros de la pared para montar la placa.

**NOTA:** Antes de apretar los pernos de palanca y el tornillo de madera, asegúrese de que la parte inferior de la placa de montaje toque la del gabinete cuando se empuje contra la pared y que la placa esté centrada correctamente debajo del gabinete.

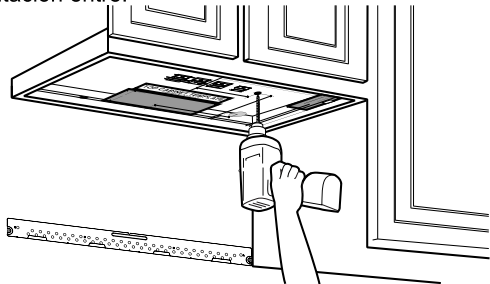
**PRECAUCIÓN:** Tenga cuidado de no pillarse los dedos entre la parte trasera de la placa de montaje y la pared.

- 4 Apriete todos los pernos. Separe la placa de la pared para ayudar a apretar los pernos.

# Instrucciones de Instalación

## A2. USAR LA PLANTILLA DEL GABINETE SUPERIOR PARA LA PREPARACIÓN DEL GABINETE SUPERIOR

Debe perforar agujeros para los tornillos de soporte superior y un agujero lo suficientemente grande como para que el cable de alimentación entre.



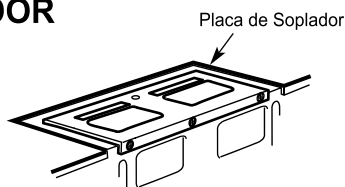
- Leas las instrucciones en la PLANTILLA DE GABINETE SUPERIOR.
- Péguelo debajo del gabinete superior.

**NOTA:** Ajuste la plantilla superior debidamente si el microondas se está separando de la pared debido a la profundidad del gabinete (incluidas las puertas del gabinete) de más de 13".

- Taladre los agujeros, siguiendo las instrucciones en la PLANTILLA DEL GABINETE SUPERIOR.

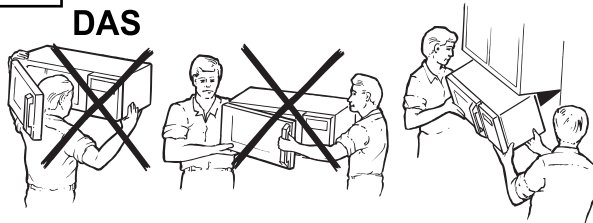
**PRECAUCIÓN:** Use gafas de seguridad cuando taladre agujeros en la parte inferior del gabinete.

## A3. CHEQUEAR LA PLACA DE SOPLADOR



- Coloque el microondas en posición vertical, con la parte superior de la unidad hacia arriba.
- Verifique si la placa de soplador esté correctamente instalada en la unidad.

## A4. MONTAR EL HORNO DE MICROONDAS



PARA UNA INSTALACIÓN MÁS FÁCIL Y SEGURIDAD PERSONAL, SE RECOMIENDA QUE INSTALEN ESTE HORNO DE MICROONDAS ENTRE DOS PERSONAS.

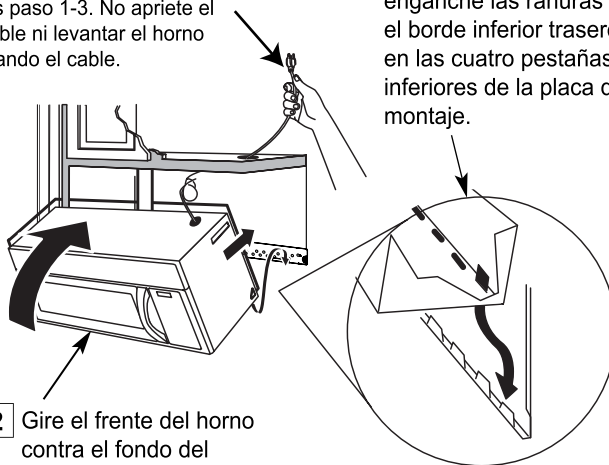
**IMPORTANTE:** No agarre ni use la manija o el protector térmico durante la instalación. No quite los espaciadores de cartón entre el escudo térmico y la puerta.

**NOTA:** Se recomienda usar bloques de relleno si el frente del gabinete cuelga debajo del estante inferior del gabinete.

**IMPORTANTE:** el no usar bloques de relleno puede causar daños de carcasa por apretar demasiado los tornillos

**NOTA:** Al montar el horno de microondas, pase el cable de alimentación por el agujero en el fondo del gabinete superior. Manténgalo apretado durante los pasos 1-3. No apriete el cable ni levante el horno tirando el cable.

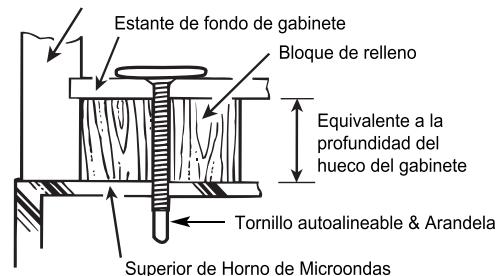
- 1 Levante el microondas, inclínelo hacia adelante y enganche las ranuras en el borde inferior trasero en las cuatro pestañas inferiores de la placa de montaje.



- 2 Gire el frente del horno contra el fondo del gabinete.

- 3 Inserte un tornillo de máquina autoalineable a través del agujero ya perforado del fondo del gabinete superior. Asegure temporalmente el horno girando el tornillo al menos dos vueltas completas después de engranar las roscas. (Se apretará completamente más tarde. Asegúrese de mantener apretado el cable de alimentación. Tenga cuidado de no pellizcar el cable, especialmente cuando lo monte al fondo del gabinete.

Frente de Gabinete

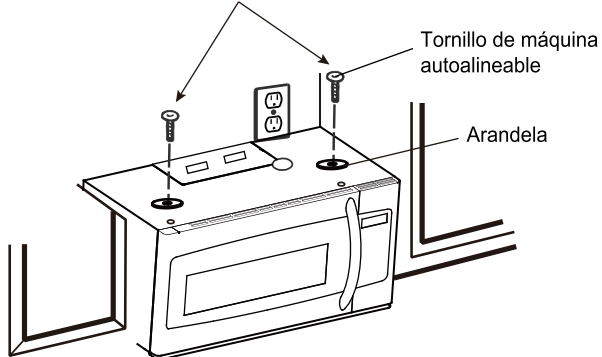


- 4 Fije el horno de microondas al gabinete superior.

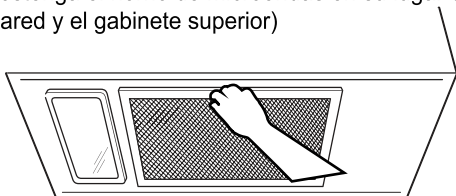
# Instrucciones de Instalación

## A4. MONTAR EL HORNO DE MICROONDAS (cont.)

- 5** Inserte 2 tornillos autoalineables a través de los agujeros del gabinete superior exterior. Gire dos vueltas completas en cada tornillo.



- 6** Apriete los dos tornillos exteriores a la parte superior del horno de microondas. (Mientras aprieta los tornillos, sostenga el horno de microondas en su lugar contra la pared y el gabinete superior)



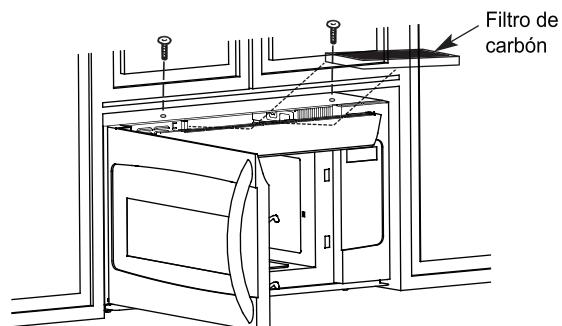
- 7** Instale los filtros de grasa. Vea el Uso y Cuidado embalado con el microondas.

## A5. INSTALAR O CAMBIAR EL FILTRO DE CARBÓN (Algunos Modelos)

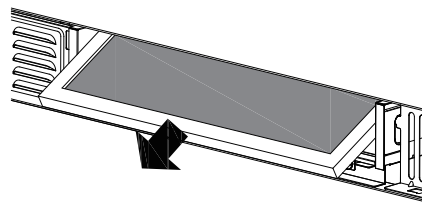
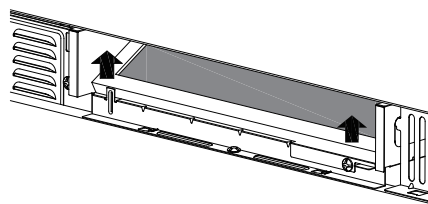
NOTA: El filtro de carbón viene instalado de fábrica en algunos modelos. Consulte Uso y Cuidado para ver si el suyo está instalado de fábrica y para obtener información de reemplazo y para los modelos sin la puerta de acceso al filtro de recirculación, siga estos pasos para reemplazar o instalar un filtro de carbón.

- A 5.1** Desenchufe el horno de microondas o desconecte la alimentación.

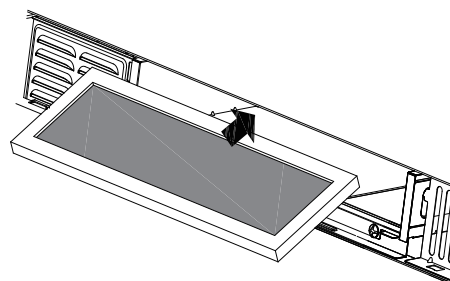
- A 5.2** Abra la puerta del microondas y retire los dos tornillos de montaje de ventilación ubicados en la parte superior del microondas usando un destornillador Phillips #1.



- A 5.3** Retire el filtro de carbón levantando la parte inferior del filtro, luego sáquele de la unidad.



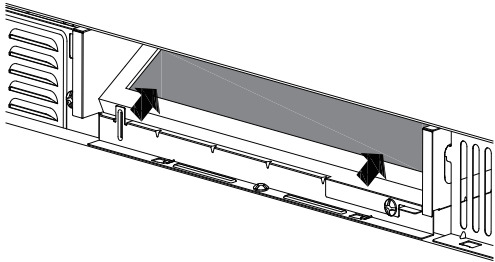
- A 5.4** Deslice la parte superior del nuevo filtro de carbón en la parte superior de la cavidad del filtro.



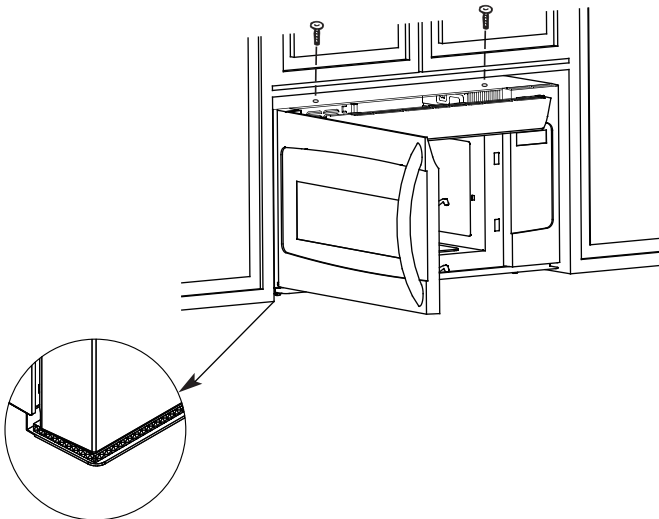
# Instrucciones de Instalación

## A5. INSTALAR O CAMBIAR EL FILTRO DE CARBÓN (cont.)

- A 5.5** Empuje la parte inferior del filtro de carbón para colocarlo en la posición correcta.



- A 5.6** Vuelva a instalar la ventilación deslizando la parte inferior de la ventilación en su lugar. Empuje la parte superior de la ventilación a su posición y deslícela a la derecha en el lugar. Vuelva a colocar los dos tornillos de montaje de ventilación ubicados en la parte superior del microondas con un destornillador Phillips #1.



- A 5.7** Cierre la puerta del microondas. Enchufe el horno de microondas o vuelva a conectar la alimentación.

**IMPORTANTE:** Retire los espaciadores de cartón entre el escudo térmico y la puerta.

# Instrucciones de Instalación

## INSTRUCCIONES DE INSTALACIÓN PARA CONDUCTO DE ESCAPE EXTERIOR

**NOTA:** Si necesita instalar conductos, **OBSERVE** que la longitud total del conducto de 3¼" x 10" (8.2 x 25.4 cm) rectangular o de diámetro 6" (15.2 cm) de diámetro del conducto redondo **no debe exceder 140 pies equivalentes (42.7 m)**. La ventilación exterior requiere un CONDUCTO DE ESCAPE EXTERIOR. Lea atentamente lo siguiente.

**NOTA:** Es **IMPORTANTE** que la ventilación se instale usando la ruta más directa y con los menores codos posibles. Esto asegura una ventilación clara del escape y ayuda a prevenir bloqueos. Además, asegúrese de que los amortiguadores giren libremente y que nada bloquee los conductos.

### Conexión de escape:


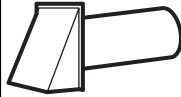


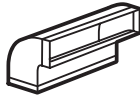
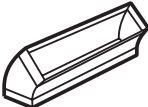


El adaptador de escape ha sido diseñado para acoplarse con un conducto rectangular estándar de 3¼" x 10" (8.2 x 25.4 cm). Si se requiere un conducto redondo, se debe usar un adaptador de transición rectangular a redondo. Se puede usar un conducto de 6" (15.2 cm) de diámetro.

### Longitud Máxima de Conducto:

Para obtener movimiento satisfactorio del aire, la longitud total del conducto rectangular de 3¼" x 10" (8.2 x 25.4 cm) o redondo de diámetro 6" (15.2 cm) no debe superar a 140 ft. equivalente (42.7 m).

### Los codos, transiciones, tapas de paredes y techos, etc.,

presentan resistencia adicional al flujo de aire y son equivalentes a una sección de conducto recto que es más larga que su tamaño físico real. Al calcular la longitud total del conducto, agregue las longitudes equivalentes de todas las transiciones y adaptadores más la de todas las secciones de conducto rectas usando los pies aproximados de longitud equivalente de algunos conductos típicos.

PIEZA DE CONDUCTO		LONGITUD EQUIVALENTE	x	CANTIDAD USADA	=	LONGITUD EQUIVALENTE
	Adaptador de Transición Rectangular a Redondo*	5 Ft. (1.5 m)	x	( )	=	Ft. o m
	Tapa de Pared	40 Ft. (12.2 m)	x	( )	=	Ft. o m
	CODO 90°	10 Ft. (3 m)	x	( )	=	Ft. o m
	CODO 45°	5 Ft. (1.5m)	x	( )	=	Ft. o m
	CODO 90°	25 Ft. (7.6m)	x	( )	=	Ft. o m
	CODO 45°	5 Ft. (1.5m)	x	( )	=	Ft. o m
	Tapa de Techo	24 Ft. (7.3m)	x	( )	=	Ft. o m
	Conducto Recto 6 (15.2 cm) Redondo o 3¼" X 10" (8.2 X 25.4 cm Rectangular)	1 Ft. (0.3m)	x	( )	=	Ft. o m
<b>TOTAL</b>					<b>=</b>	<b>Ft. o m</b>



**\*IMPORTANTE:** Si se utiliza un adaptador de transición rectangular a redondo, las esquinas inferiores del amortiguador deben cortarse para que cuadre utilizando los recortes de estaño, para permitir el movimiento libre del amortiguador

Las longitudes equivalentes de las piezas del conducto se basan en pruebas reales y reflejan los requisitos para un buen rendimiento de ventilación con cualquier campana de ventilación

# Instrucciones de Instalación

## CONDUCTO DE ESCAPE EXTERIOR

### ESCAPE SUPERIOR EXTERIOR (SOLO EJEMPLO)

La siguiente tabla describe un ejemplo de una posible instalación de conductos.

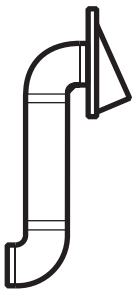


PIEZA DE CONDUCTO		LONGITUD EQUIVALENTE	x	CANTIDAD USADA	=	LONGITUD EQUIVALENTE	
	Tapa de techo	24 Ft. (7.3 m)	x	(1)	=	24 Ft. (7.3 m)	
	Conducto Recto 12 Ft. (3.6 m) (Redondo 6" /15.2 cm)	12 Ft. (3.6 m)	x	(1)	=	12 Ft. (3.6 m)	
	Adaptador de Transición Rectangular a Redondo*	5 Ft. (1.5 m)	x	(1)	=	5 Ft. (1.5 m)	
Las longitudes equivalentes de las piezas del conducto se basan en pruebas reales y reflejan los requisitos para un buen rendimiento de ventilación con cualquier					<b>Longitud Total</b>	<b>=</b>	<b>41 Ft. (12.5 m)</b>

\* IMPORTANTE: Si se utiliza un adaptador de transición rectangular a redondo, las esquinas inferiores del amortiguador deben cortarse para que cuadre utilizando los recortes de estaño, para permitir el movimiento libre del amortiguador.

### ESCAPE TRASERO EXTERIOR (SOLO EJEMPLO)

La siguiente tabla describe un ejemplo de una posible instalación de conductos.



PIEZA DE CONDUCTO		LONGITUD EQUIVALENTE	x	CANTIDAD USADA	=	LONGITUD EQUIVALENTE	
	Capa de techo	40 Ft. (12.2 m)	x	(1)	=	40 Ft. (12.2 m)	
	Conducto Recto 3 Ft. (Rectangular 3 1/4" x 10"/8.2 x 25.4 cm)	3 Ft. (0.9 m)	x	(1)	=	3 Ft. (0.9 m)	
	Codo 90°	10 Ft. (3 m)	x	(2)	=	20 Ft. (3 m)	
Las longitudes equivalentes de las piezas del conducto se basan en pruebas reales y reflejan los requisitos para un buen rendimiento de ventilación con cualquier campana de ventilación.					<b>Longitud Total</b>	<b>=</b>	<b>63 Ft. (19.2 m)</b>

**NOTA:** Para el escape trasero, se debe tener cuidado de alinear el escape con el espacio entre los postes, o la pared se debe preparar en el momento en que se construye dejando suficiente espacio entre los postes de la pared para acomodar el escape.

# Instrucciones de Instalación

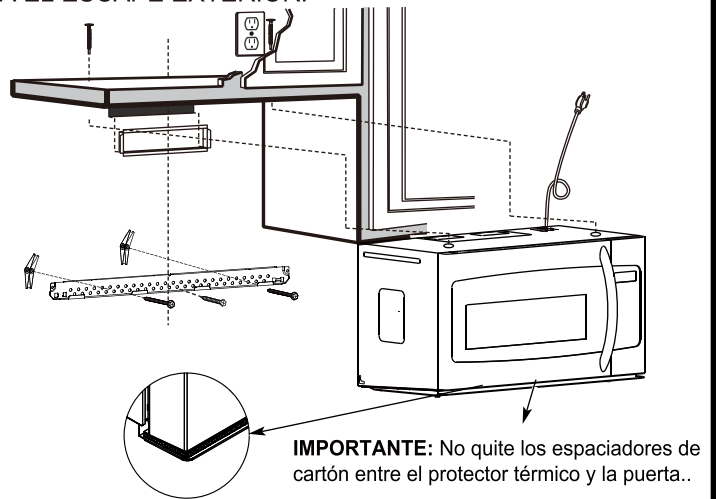
## B ESCAPE TRASERO EXTERIOR (CONDUCTO HORIZONTAL)

### DESCRIPCIÓN GENERAL DE LA INSTALACIÓN

- B1. PREPARACIÓN DE LA PLANTILLA DE PARED TRASERA PARA EL ESCAPE TRASERO EXTERIOR.
- B2. FIJAR LA PLACA DE MONTAJE A LA PARED.
- B3. USAR LA PLANTILLA DEL GABINETE SUPERIOR PARA LA PREPARACIÓN DEL GABINETE SUPERIOR.
- B4. ADAPTACIÓN DEL SOPLADOR DE MICROONDAS PARA EL ESCAPE EXTERIOR.
- B5. MONTAR EL HORNO DE MICROONDAS.

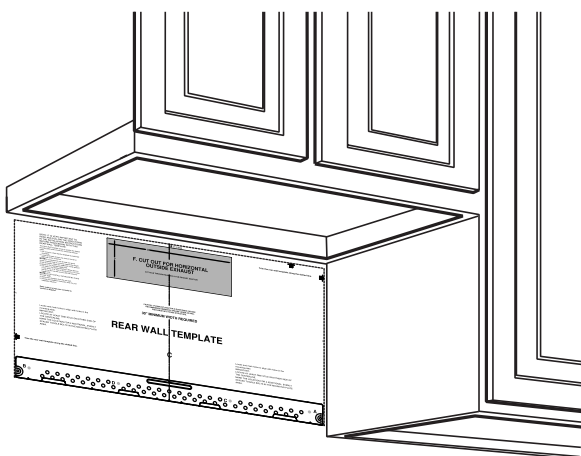
#### NOTAS IMPORTANTES:

- Asegúrese de que los tornillos del motor del soplador y la placa del soplador estén bien apretados cuando se vuelvan a instalar. Esto ayudará a evitar vibraciones excesivas.
- Asegúrese de que el cableado del motor se haya enrutado y asegurado correctamente y que los cables no estén pellizcados.



### B1. PREPARACIÓN DE LA PLANTILLA DE PARED TRASERA PARA EL ESCAPE TRASERO EXTERIOR

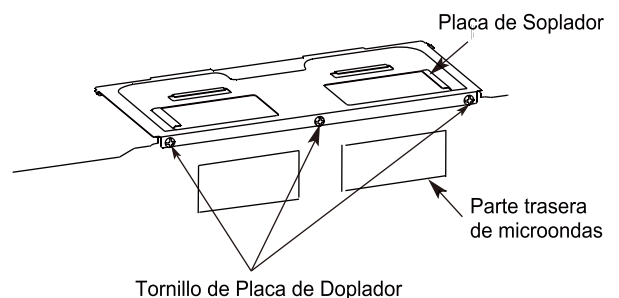
Necesita cortar una abertura en la pared trasera para el escape exterior.



- Lea las instrucciones en la PLANTILLA DE PARED TRASERA.
- Péguela en la pared trasera.
- Corte la abertura siguiendo las instrucciones de la PLANTILLA DE PARED TRASERA.

### B2. RETIRAR PLACA DE SOPLADOR

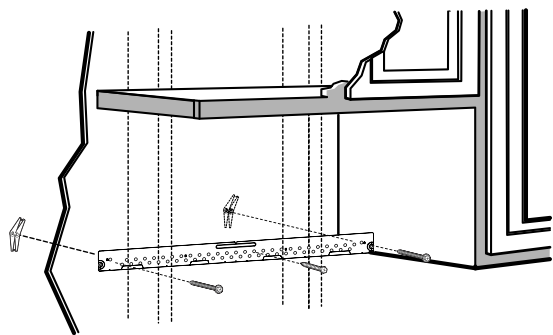
Retire y guarde el tornillo que sostiene la placa de soplador al microondas. Levante la placa de soplador.





# Instrucciones de Instalación

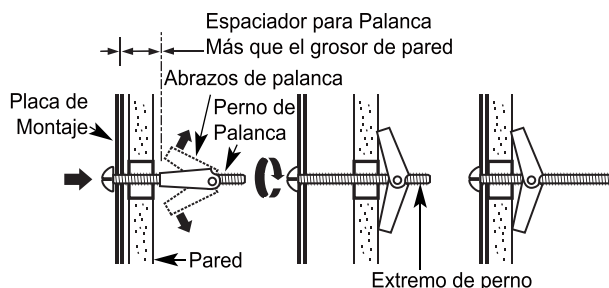
## B3. FIJAR LA PLACA DE MONTAJE A LA PARED



Fije la placa a la pared con pernos de palanca. Se debe usar al menos un tornillo de madera para fijar la placa a un poste de pared.

- 1 Retire los brazos de palanca de los tornillos.
- 2 Inserte los pernos en la placa de montaje a través de los agujeros designados para entrar en el panel y vuelva a fijar los brazos de palanca a 3/4 "(19 mm) en cada perno.

### Para usar pernos de palanca



- 3 Coloque la placa de montaje contra la pared e inserte los brazos de palanca en los agujeros de la pared para montar la placa.

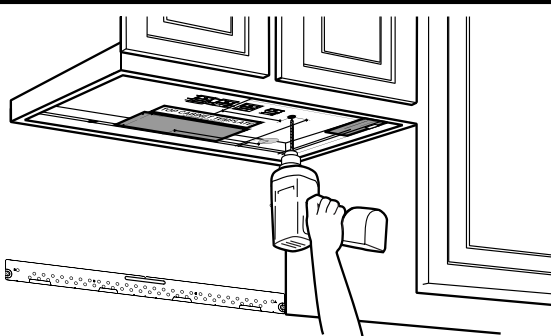
**NOTA:** Antes de apretar los pernos de palanca y el tornillo de madera, asegúrese de que la parte inferior de la placa de montaje toque la del gabinete cuando se empuje contra la pared y que la placa esté centrada correctamente debajo del gabinete.

**PRECAUCIÓN:** Tenga cuidado de no pillarse los dedos entre la parte trasera de la placa de montaje y la pared.

- 4 Apriete todos los pernos. Separe la placa de la pared para ayudar a apretar los pernos.

## B4. USAR LA PLANTILLA DEL GABINETE SUPERIOR PARA LA PREPARACIÓN DEL GABINETE SUPERIOR

Debe perforar agujeros para los tornillos de soporte superior y un agujero lo suficientemente grande como para que el cable de alimentación entre.

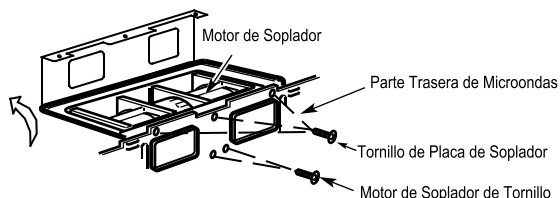


- Leas las instrucciones en la PLANTILLA DE GABINETE SUPERIOR.
- Péguela debajo del gabinete superior.
- Taladre los agujeros, siguiendo las instrucciones en la PLANTILLA DEL GABINETE SUPERIOR.

**PRECAUCIÓN:** Use gafas de seguridad cuando taladre agujeros en la parte inferior del gabinete.

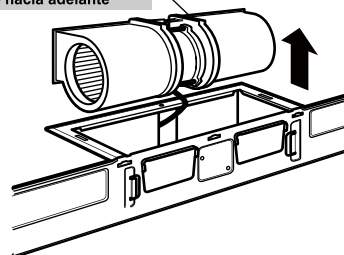
## B5. ADAPTACIÓN DEL SOPLADOR DE MICROONDAS PARA EL ESCAPE EXTERIOR

- 1 Retire y guarde el tornillo que sostiene el motor del soplador al microondas. Levante la placa de soplador.

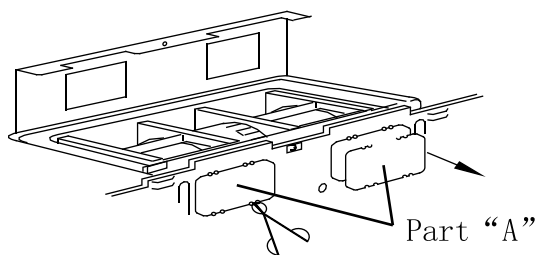


- 2 Retire la unidad de soplador con cuidado. Los cables se extenderán lo suficiente como para permitirle ajustar la unidad del soplador.

**ANTES:** Aberturas de las aspas del ventilador mirando hacia adelante



- 3 Retire "Part A" con una pinza o tijeras

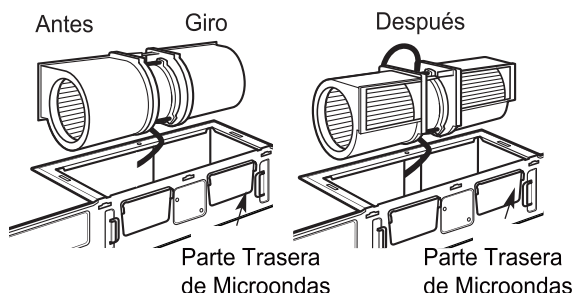




# Instrucciones de Instalación

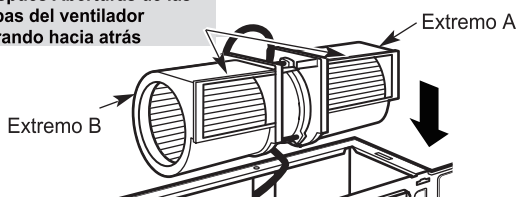
## B5. ADAPTACIÓN DEL SOPLADOR DE MICROONDAS PARA EL ESCAPE EXTERIOR (cont.)

- 4 Gire la unidad de soplador en sentido antihorario 180°



- 5 Vuelva a colocar la unidad de soplador en la abertura.

Después Aberturas de las  
aspas del ventilador  
mirando hacia atrás

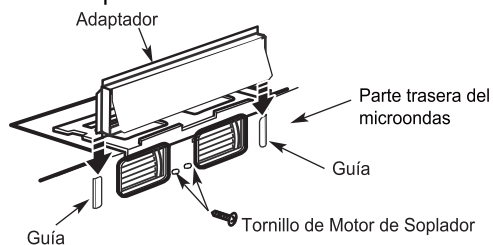


**PRECAUCIÓN:** No tire ni estire el cableado de la unidad del ventilador. Asegúrese de que los cables no estén pellizcados.

**NOTA:** Las aberturas de escape de la unidad de soplador deben acoplar con las aberturas de escape en la parte trasera del horno de microondas.

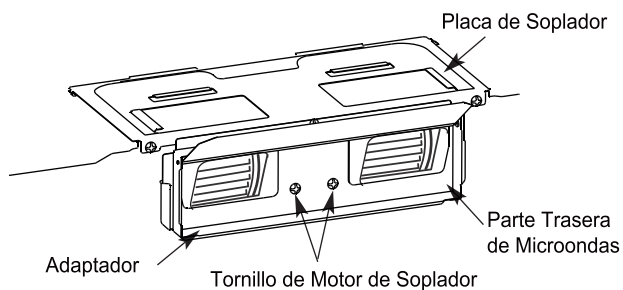
- 6 Vuelva a colocar la placa del ventilador en la misma posición.

- 7 Fije el adaptador de escape a la parte trasera del horno deslizándolo dentro de las guías en el centro superior de la parte trasera del horno.

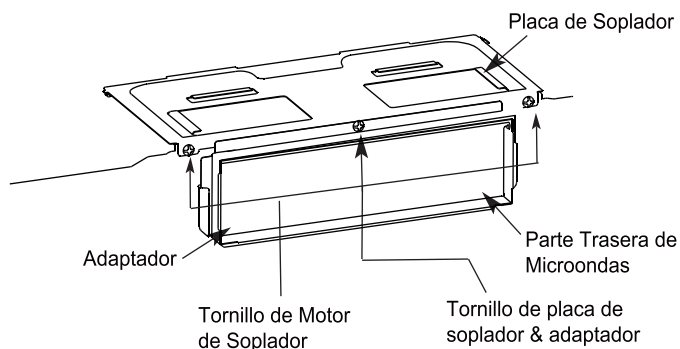


Empuje de forma segura hasta que se encuentre en el tornillo inferior del motor del soplador. Asegúrese de que la bisagra del amortiguador esté instalada de modo que quede en la parte superior y que el amortiguador gire libremente.

- 8 Asegure la unidad del motor del ventilador al microondas con un tornillo como antes.

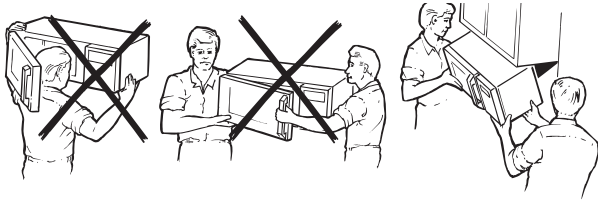


- 9 Asegure la placa de soplador al microondas con un tornillo.



# Instrucciones de Instalación

## B6. MONTAR EL HORNO DE MICROONDAS



PARA UNA INSTALACIÓN MÁS FÁCIL Y SEGURIDAD PERSONAL, SE RECOMIENDA QUE INSTALEN ESTE HORNO DE MICROONDAS ENTRE DOS PERSONAS.

**IMPORTANTE:** No agarre ni use la manija o el protector térmico durante la instalación. No quite los espaciadores de cartón entre el escudo térmico y la puerta.

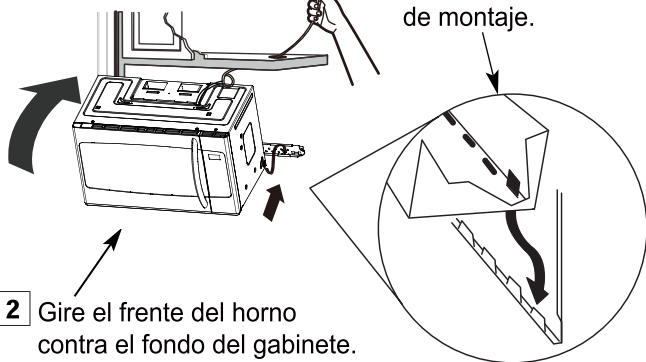
**NOTA:** Si su gabinete es de metal, use la arandela de nylon alrededor del orificio del cable de alimentación para evitar que se corte el cable.

**NOTA:** Se recomienda usar bloques de relleno si el frente del gabinete cuelga debajo del estante inferior del gabinete.

**IMPORTANTE:** el no usar bloques de relleno puede causar daños de carcasa por apretar demasiado los tornillos.

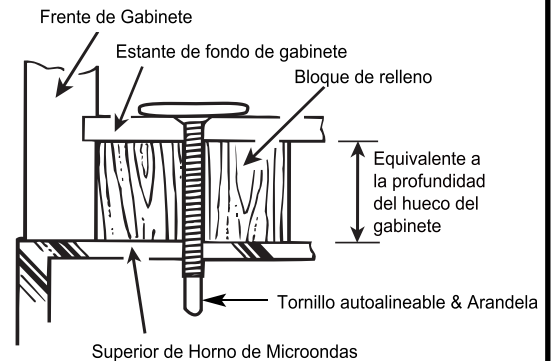
**NOTA:** Al montar el horno de microondas, pase el cable de alimentación por el agujero en el fondo del gabinete superior. Manténgalo apretado durante los paso 1-3. No apriete el cable ni levantar el horno tirando el cable.

- 1 Levante el microondas, inclínelo hacia adelante y enganche las ranuras en el borde inferior trasero en las cuatro pestañas inferiores de la placa de montaje.



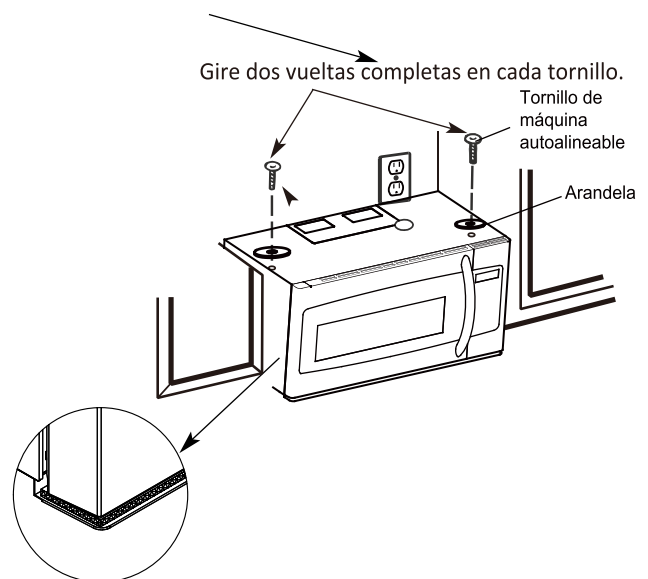
- 2 Gire el frente del horno contra el fondo del gabinete.

- 3 Inserte un tornillo de máquina autoalineable a través del agujero ya perforado del fondo del gabinete superior. Asegure temporalmente el horno girando el tornillo al menos dos vueltas completas después de engranar las roscas. (Se apretará completamente más tarde. Asegúrese de mantener apretado el cable de alimentación. Tenga cuidado de no pellizcar el cable, especialmente cuando lo monte al fondo del gabinete.

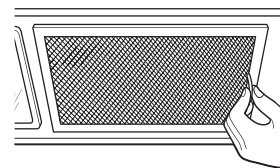


- 4 Fije el horno de microondas al gabinete superior.

- 5 Inserte 2 tornillos autoalineables a través de los agujeros del gabinete superior exterior. Gire dos vueltas completas en cada tornillo.



- 6 Apriete los dos tornillos exteriores a la parte superior del horno de microondas. (Mientras aprieta los tornillos, sostenga el horno de microondas en su lugar contra la pared y el gabinete superior)



- 7 Instalar los filtros de grasa. Vea el Uso y Cuidado embalado con el microondas.

**IMPORTANTE:** Retire los espaciadores de cartón entre el escudo térmico y la puerta.

# Instrucciones de Instalación

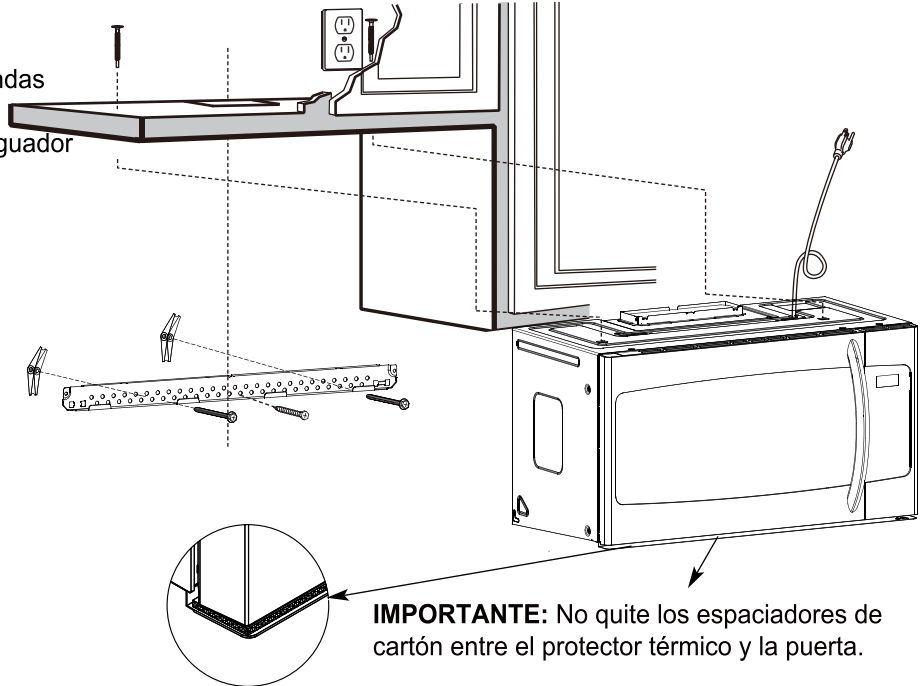
## C ESCAPE SUPERIOR EXTERIOR (CONDUCTO VERTICAL)

### DESCRIPCIÓN GENERAL DE LA INSTALACIÓN

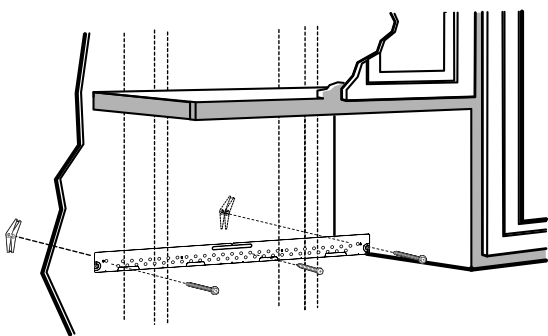
- C1. Fijar la Placa de Montaje a la Pared
- C2. Preparar el Gabinete Superior
- C3. Adaptación del Soplador de Microondas para el Escape Superior Exterior
- C4. Comprobar la Operación del Amortiguador
- C5. Montar el Horno De Microondas
- C6. Ajustar el Adaptador de Escape
- C7. Conectar los conductos

#### NOTAS IMPORTANTES:

- Asegúrese de que los tornillos del motor del soplador y la placa del soplador estén bien apretados cuando se vuelvan a instalar. Esto ayudará a evitar vibraciones excesivas.
- Asegúrese de que el cableado del motor se haya enrutado y asegurado correctamente y que los cables no estén pellizcados.



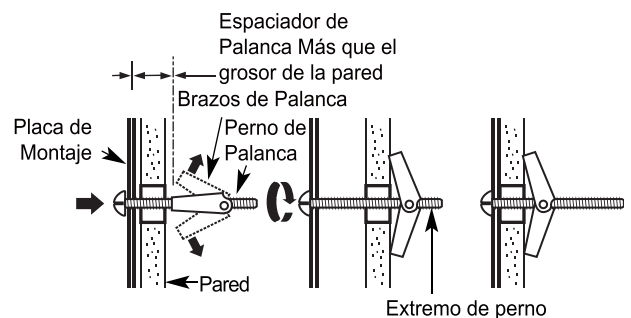
### C1. FIJAR LA PLACA DE MONTAJE A LA PARED



Fije la placa a la pared con pernos de palanca. Se debe usar al menos un tornillo de madera para fijar la placa a un poste de pared.

- 1 Retire los brazos de palanca de los tornillos.
- 2 Inserte los pernos en la placa de montaje a través de los agujeros designados para entrar en el panel y vuelva a fijar los brazos de palanca a 3/4 "(19 mm) en cada perno.

#### Para usar pernos de palanca



- 3 Coloque la placa de montaje contra la pared e inserte los brazos de palanca en los agujeros de la pared para montar la placa.

**NOTA:** Antes de apretar los pernos de palanca y el tornillo de madera, asegúrese de que la parte inferior de la placa de montaje toque la del gabinete cuando se empuje contra la pared y que la placa esté centrada correctamente debajo del gabinete.

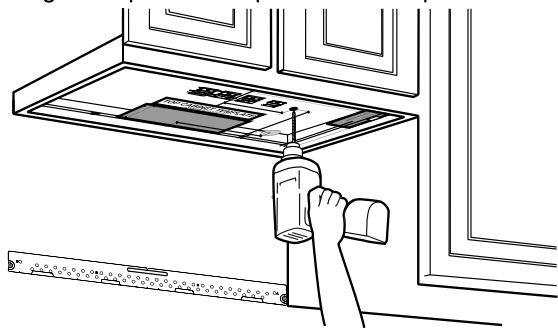
**PRECAUCIÓN:** Tenga cuidado de no pillarse los dedos entre la parte trasera de la placa de montaje y la pared.

- 4 Apriete todos los pernos. Separe la placa de la pared para ayudar a apretar los pernos.

# Instrucciones de Instalación

## C2. USAR LA PLANTILLA DEL GABINETE SUPERIOR PARA LA PREPARACIÓN DEL GABINETE SUPERIOR

Debe perforar agujeros para los tornillos de soporte superior, un agujero lo suficientemente grande como para que el cable de alimentación entre y un recorte lo suficientemente grande para el adaptador de escape.

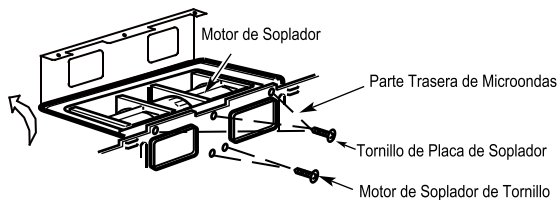


- Leas las instrucciones en la PLANTILLA DE GABINETE SUPERIOR.
- Péguela debajo del gabinete superior.
- Taladre los agujeros, siguiendo las instrucciones en la PLANTILLA DEL GABINETE SUPERIOR.

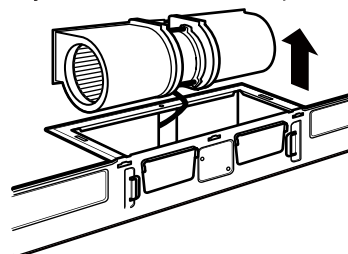
**PRECAUCIÓN:** Use gafas de seguridad cuando taladre agujeros en la parte inferior del gabinete.

## C3. ADAPTACIÓN DEL SOPLADOR DE MICROONDAS PARA EL ESCAPE EXTERIOR

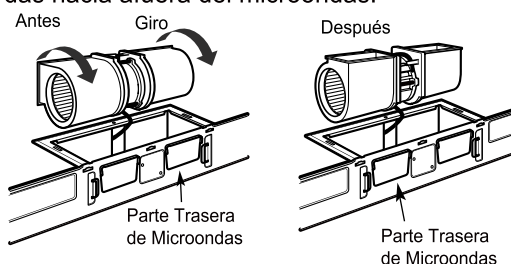
- 1 Retire y guarde el tornillo que sostiene el motor del soplador al microondas. Levante la placa de soplador.



- 2 Retire la unidad de soplador con cuidado. Los cables se extenderán lo suficiente como para permitirle ajustar la unidad del soplador.

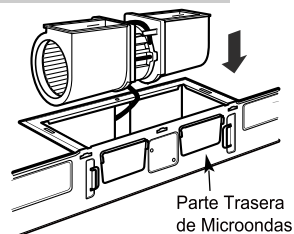


- 3 Gire la unidad del soplador 90 ° para que las aberturas de las aspas del ventilador estén orientadas hacia afuera del microondas.



- 4 Vuelva a colocar la unidad de soplador en la abertura.

Después Aberturas de las aspas del ventilador mirando hacia ARRIBA



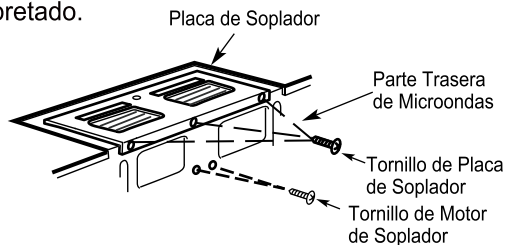
**PRECAUCIÓN:** No tire ni estire el cableado de la unidad del ventilador. Asegúrese de que los cables no estén pellizcados.

**NOTA:** la unidad de soplador deben acoplar con las aberturas de escape en la parte trasera del horno de

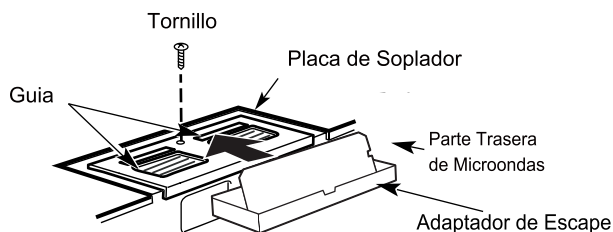
# Instrucciones de Instalación

## C3. ADAPTACIÓN DEL SOPLADOR DE MICROONDAS PARA EL ESCAPE EXTERIOR (cont.)

- 5 Asegure la unidad de soplador al horno con el tornillo quitado en el Paso 1. Asegúrese de que el tornillo esté apretado.
- 6 Reemplace la placa de soplador con el tornillo quitado en el Paso 1. Asegúrese de que el tornillo esté apretado.

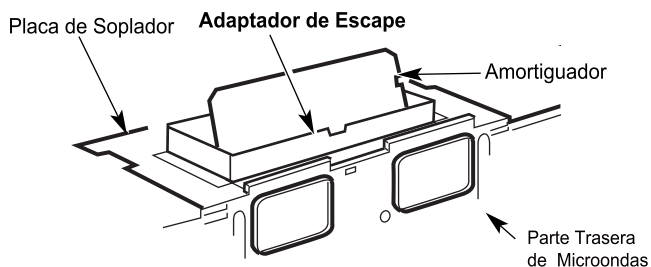


- 7 Fije el adaptador a la parte superior de la placa de soplador deslizando en las guías de la placa de soplador.



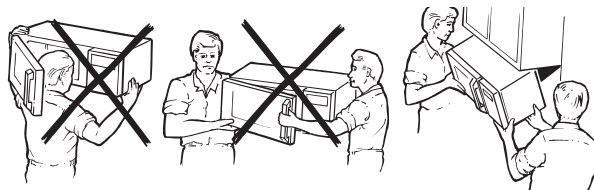
Asegúrese de que la bisagra del amortiguador esté instalada de modo que quede en la parte superior y que el amortiguador gire libremente.

## C4. COMPROBAR LA OPERACIÓN DEL AMORTIGUADOR



- Asegúrese de que el amortiguador de fijación de cinta esté quitado y el amortiguador mueva fácilmente antes de montar el microondas.
- Deberá ajustar para asegurar la alineación con el conducto de escape de su casa después de instalar el microondas

## C5. MONTAR EL HORNO DE MICROONDAS



PARA UNA INSTALACIÓN MÁS FÁCIL Y SEGURIDAD PERSONAL, SE RECOMIENDA QUE INSTALEN ESTE HORNO DE MICROONDAS ENTRE DOS PERSONAS

**IMPORTANTE:** No agarre ni use la manija o el protector térmico durante la instalación. No quite los espaciadores de cartón entre el escudo térmico y la puerta.

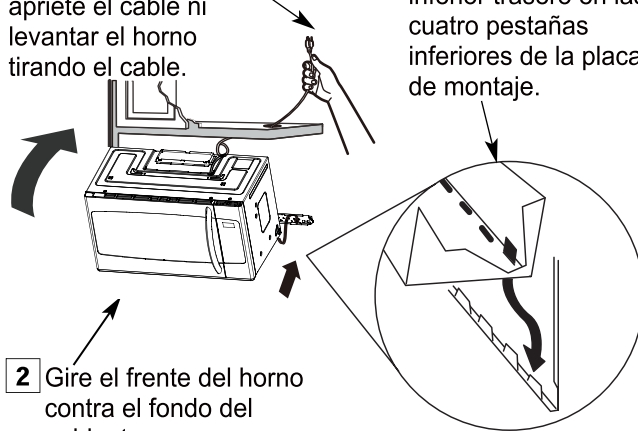
**NOTA:** Si su gabinete es de metal, use la arandela de nylon alrededor del orificio del cable de alimentación para evitar que se corte el cable.

**NOTA:** Se recomienda usar bloques de relleno si el frente del gabinete cuelga debajo del estante inferior del gabinete.

**IMPORTANTE:** el no usar bloques de relleno puede causar daños de carcasa por apretar demasiado los tornillos.

**NOTA:** Al montar el horno de microondas, pase el cable de alimentación por el agujero en el fondo del gabinete superior. Manténgalo apretado durante el paso 1-3. No apriete el cable ni levante el horno tirando el cable.

- 1 Levante el microondas, inclínelo hacia adelante y enganche las ranuras en el borde inferior trasero en las cuatro pestañas inferiores de la placa de montaje.



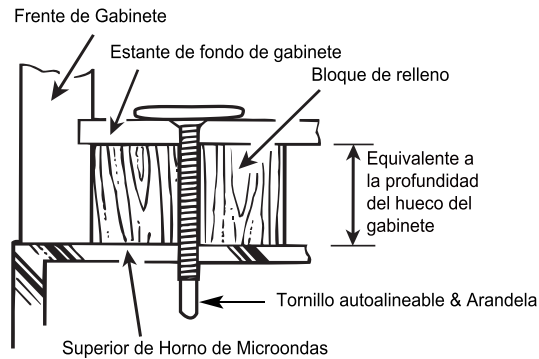
- 2 Gire el frente del horno contra el fondo del gabinete.

- 3 Inserte un tornillo de máquina autoalineable a través del agujero ya perforado del fondo del gabinete superior. Asegure temporalmente el horno girando el tornillo al menos dos vueltas completas después de engranar las roscas. (Se apretará completamente más tarde.) Asegúrese de mantener apretado el cable de alimentación. Tenga cuidado de no pellizcar el cable, especialmente cuando lo monte al fondo del gabinete.



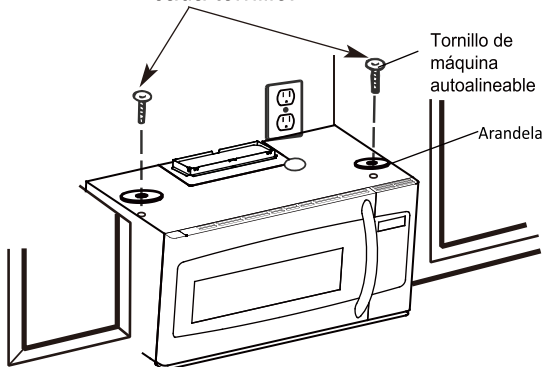
# Instrucciones de Instalación

## C5. MONTAR EL HORNO DE MICROONDAS (cont.)

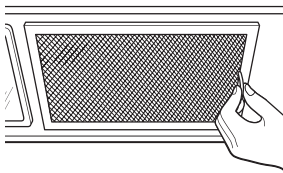


4 Fije el horno de microondas al gabinete superior..

5 Inserte 2 tornillos autoalineables a través de los agujeros del gabinete superior exterior. Gire dos vueltas completas en cada tornillo.



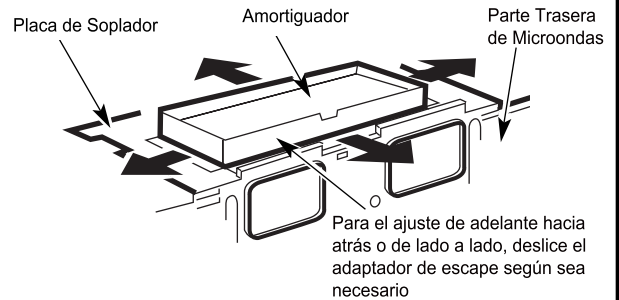
6 Apriete los dos tornillos exteriores a la parte superior del horno de microondas. (Mientras aprieta los tornillos, sostenga el horno de microondas en su lugar contra la pared y el gabinete superior)



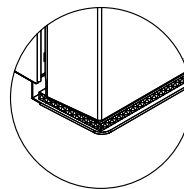
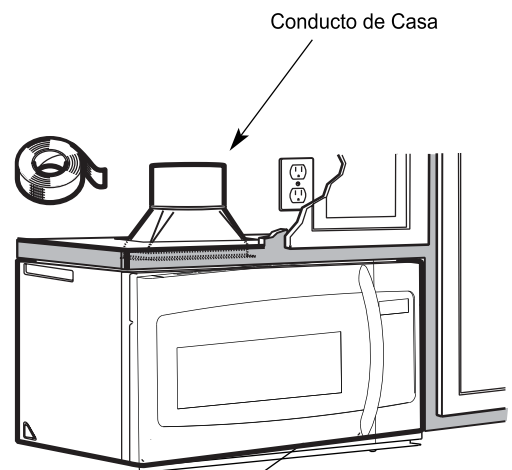
7 Instale los filtros de grasa. Vea el Uso y Cuidado embalado con el microondas.

## C6. AJUSTAR EL ADAPTADOR DE ESCAPE

Abra el gabinete superior y ajuste el adaptador de escape para conectar al conducto de la casa.



## C7. CONECTAR LOS CONDUCTOS



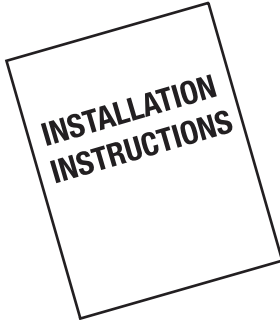
- 1 Extienda el conducto de casa hacia abajo para conectarlo al adaptador de escape.
- 2 Selle las juntas de los conductos de escape con cinta aislante para aplicaciones de alta temperatura.

**IMPORTANTE:** Retire los espaciadores de cartón entre el escudo térmico y la puerta.

# Instrucciones de Instalación

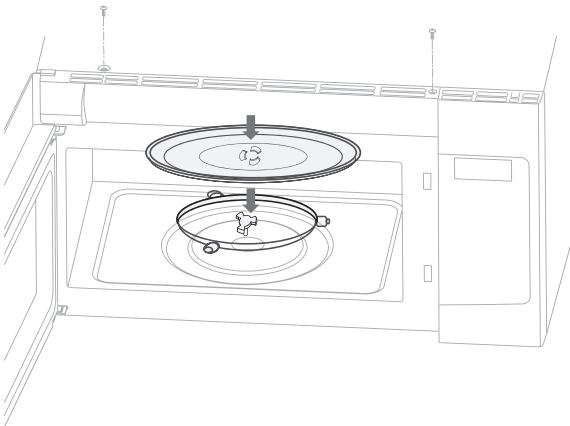
## ANTES DE USAR EL MICROONDAS

- 1.** Asegúrese de que el horno de microondas se haya instalado de acuerdo con las instrucciones.

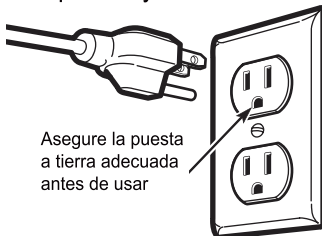


- 2.** Quite todo el material de embalaje del horno de microondas.

- 3.** Instale el anillo giratorio y la bandeja de vidrio en la cavidad.

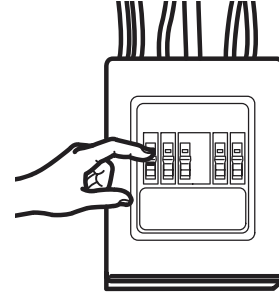


- 4.** Enchufe el cable de alimentación a una toma de corriente separada y dedicada de 15 a 20 amperios.



Asegure la puesta a tierra adecuada antes de usar

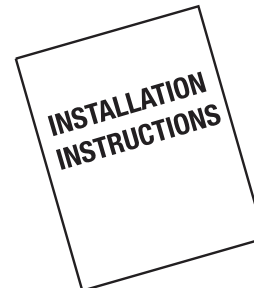
- 5.** Reemplace el fusible de la casa o vuelva a encender el interruptor.



- 6.** Lea el manual de Uso Y Cuidado.



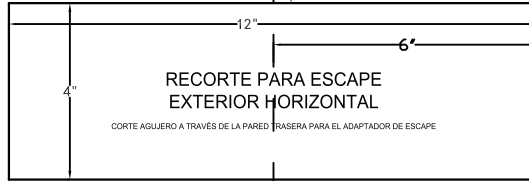
- 7.** CONSERVE LAS INSTRUCCIONES DE INSTALACIÓN PARA EL USO DEL INSPECTOR LOCAL.



- 8.** RELLENE LA TARJETA DE REGISTRO DEL PRODUCTO Y ENVÍELA.



NOTA: ES MUY IMPORTANTE LEER Y SEGUIR LAS DIRECCIONES EN LAS INSTRUCCIONES DE INSTALACIÓN ANTES DE PROCEDER CON LA PLANTILLA DE PARED TRASERA.  
Esta plantilla es para localizar el recorte de escape horizontal.  
1. Pegue la plantilla a la pared trasera.  
2. Use una sierra de sable o agujero de cerradura para cortar la forma F a través de la pared trasera.  
3. Quite la plantilla de la pared trasera.  
4. VUELVA Y PROCEDA CON LAS INSTRUCCIONES DE INSTALACIÓN.



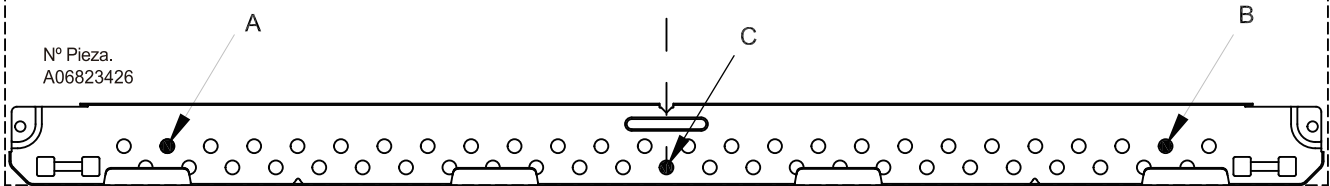
PRECAUCIÓN- SI EL ADAPTADOR ESTÁ POSICIONADO FUERA DE DIMENSIÓN RECOMENDADA, EL AIRE CARGADO DE GASES DESCARGARÁ EN LA ESTRUCTURA DE CASA.

## PLANTILLA DE PARED TRASERA

ANCHO REQUERIDO MÍNIMO 30"

Ubique y marque los agujeros para alinear con los en la placa de montaje.  
**IMPORTANTE:**  
UBIQUE AL MENOS UN POSTE EN CUALQUIER LADO DE LA LÍNEA CENTRAL.  
MARQUE LA UBICACIÓN PARA LOS PERNOS DE PALANCA ADICIONALES Y IGUALMENTE ESPACIADOS EN EL ÁREA DE LA PLACA DE MONTAJE.

Nº Pieza:  
A06823426



NOTA: ES MUY IMPORTANTE LEER Y SEGUIR LAS DIRECCIONES EN LAS INSTRUCCIONES DE INSTALACIÓN ANTES DE PROCEDER CON LA PLANTILLA DE GABINETE SUPERIOR.

D. TALADRE DIÁMETRO 1/2"  
Esta plantilla es para localizar el agujero de separación de cable de alimentación y el recorte del escape vertical.

- Determine si su gabinete tiene un área empotrada o un fondo suave y plano. ver Fig. 1. Si es suave, pegue la plantilla en la superficie inferior (Fig. 2). Si es empotrada, corte los bordes de la plantilla para encajar en el fondo empotrado del gabinete. Es importante que los bordes de los gabinetes permitan una instalación de nivel del horno. Siga direcciones abajo para cortar.
  - Taladre agujeros de diámetro 1/2" en D, E.
  - PRECAUCIÓN: Use gafas de seguridad al taladrar agujeros en el fondo del gabinete.
  - Corte el agujero de diámetro 2" en F para el cable de alimentación. Si los gabinetes son de metal, use la arandela de nylon (ver la acción de las piezas incluidas en las instrucciones de instalación) para rotar la abertura para proteger el cable.
  - ISOLO PARA ESCAPE VERTICAL. SALTE PARA EL HORIZONTAL O EL DE RECIRCULACIÓN: Corte el área sombreada 1 a través del fondo de gabinete para ubicación de Escape Vertical (opcionar).
  - Quite la plantilla de gabinete superior.
  - Para gabinetes empotrados, haga 2 bloques de relleno de chatarra de madera del tamaño de las áreas sombreadas G5.
  - Esos bloques de relleno tienen que tener un espesor igual a la profundidad del hueco de gabinete. Taladre agujeros de diámetro 5/8" en esos bloques para alinear con los agujeros en cada bloque con los correspondientes en el gabinete. Los bloques de relleno debe estar en el mismo nivel que el borde inferior del marco del gabinete de pared. Fig. 4.
  - VUELVA Y PROCEDA CON LAS INSTRUCCIONES DE INSTALACIÓN
- PROCEDIMIENTO DE CORTE RECOMENDADO  
Mida el espesor del gabinete de los lados A1C y el tamaño B. Corte la esquina de la plantilla para permitir el espesor de gabinete (Línea de guía es marcada en 1/4" incrementos para su conveniencia).  
**NOTA:** En algunos gabinetes, un soporte o bloque de pagamento pequeño se usa entre el veldador y el lado inferior del fondo del gabinete. Corte la plantilla para encajar en el soporte o bloque de pagamento de modo que la plantilla queda plana contra el fondo del gabinete.  
Pegue la Plantilla de Gabinete Superior en el lado inferior del gabinete superior en el área empotrada. Fig. 3.  
**Nota:** Asegúrese de que la parte trasera de la plantilla toque la pared trasera (para gabinetes de fondo suave y plano) o la del hueco (para los de fondo empotrado) después de cortar los bordes de la plantilla.



FIG. 1



FIG. 2



FIG. 3



FIG. 4



FIG. 5

E. TALADRE DIÁMETRO 1/2"

## PLANTILLA DE GABINETE SUPERIOR

ANCHO REQUERIDO MÍNIMO 30"

CORTE SOLO PARA ESCAPE VERTICAL (EXTERIOR)

CORTE AGUJERO A TRAVÉS DEL FONDO DEL GABINETE PARA EL ADAPTADOR DE ESCAPE

F. CABLE DE ALIMENTACIÓN

TALADRE DIÁMETRO 2"

PRECAUCIÓN- SI EL ADAPTADOR ESTÁ FUERA DE DIMENSIÓN RECOMENDADA, EL AIRE CARGADO DE GASES DESCARGARÁ EN LA ESTRUCTURA DE CASA.

Nº Pieza: A06823427

LÍNEA DE GUIA PARA ESPESOR B

PARED

AJUSTABLE MIN 1/2" max 1"

PARED

## PLANTILLA DE GABINETE SUPERIOR