

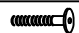



Read this instruction carefully. See hardware and furniture part list for guidance. Be sure all parts are complete, before you assemble. Place all wooden furniture parts on a clean and flat soft surface to prevent from being scratched. Follow the figure to start assembling.

**CAUTIONS :** 1. Do not FULLY - TIGHTEN the nut or nut bolt until all nut or bolt is ready assemble.  
 2. Do not OVER - TIGHTEN the nut or bolt to avoid causing damages to the thread.  
 3. Keep all hardware parts out of reach of children.

**NOTE :** THE LIST AND QUANTITY SHOWN ARE FOR 1 UNIT ASSEMBLY.

Tool needed : Screwdriver (not provider).

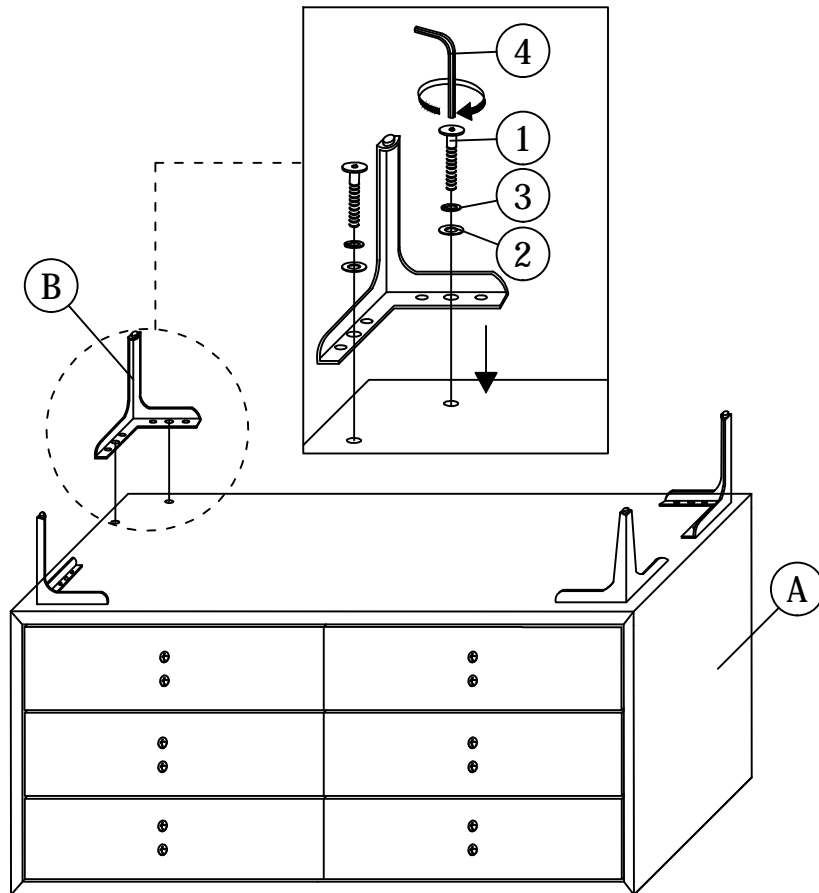
PART LIST			
ITEM	DESCRIPTION	BOX	QTY
A	BODY	1	1 PC
B	LEG	1	4 PCS
C	HANDLE	1	6 PCS
D	HANDLE SCREW	1	12 PCS
E	FLAT WASHER	1	12 PCS
F	DRAWER	1	6 PCS

HARDWARE LIST (BOX : 1)			
ITEM	DESCRIPTION		QTY
1	JCBC BOLT M6 x 20mm		8 PCS
2	M6 FLAT WASHER		8 PCS
3	M6 SPRING WASHER		8 PCS
4	M4 ALLEN KEY (BALL SHAPE)		1 PC

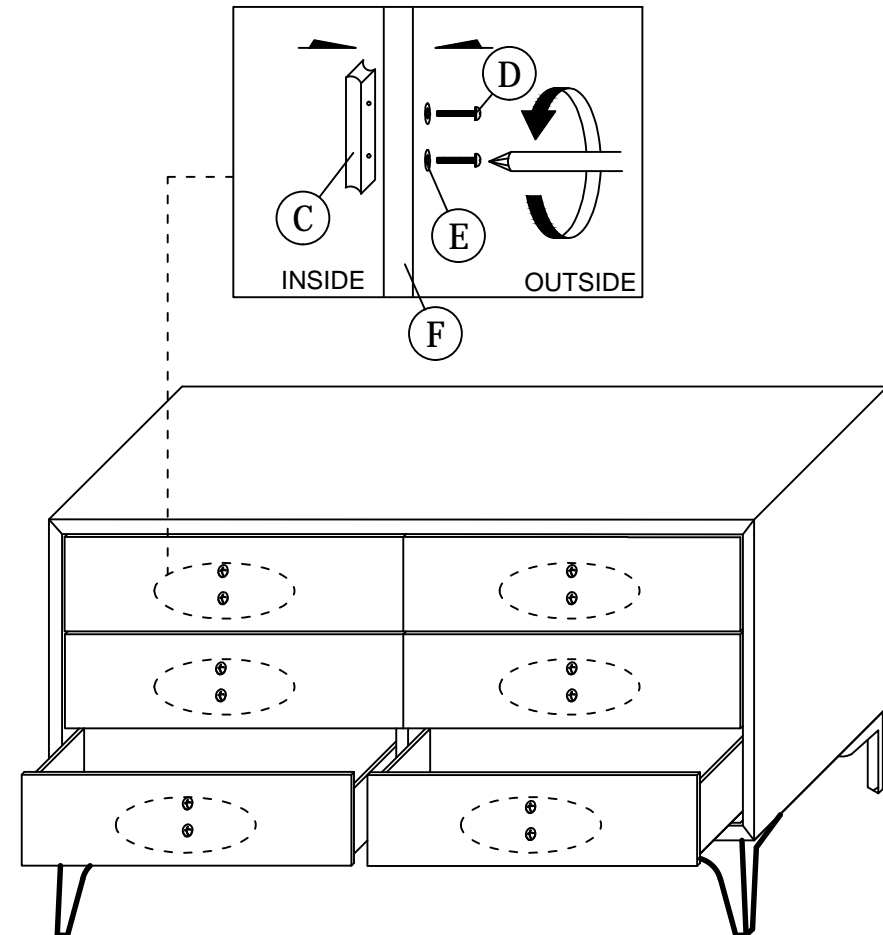
## STEP 1

Note:

Open the last of drawer and take out all the parts.



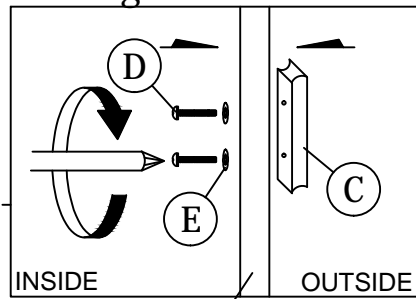
## STEP 2



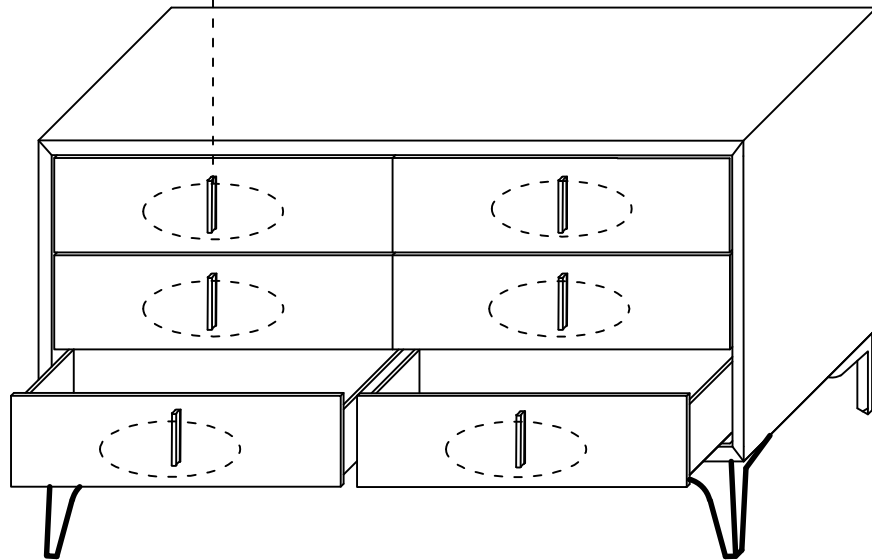
# ASSEMBLY INSTRUCTIONS

## STEP 3

Note :  
Hold the handle flat and  
then tighten the screws



F



## STEP 4

