






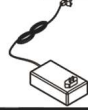
ASSEMBLY INSTRUCTION

ITEM: SS461-PH025-087/089

Jericho 2 over 2 PWR Sofa w/PWR HR

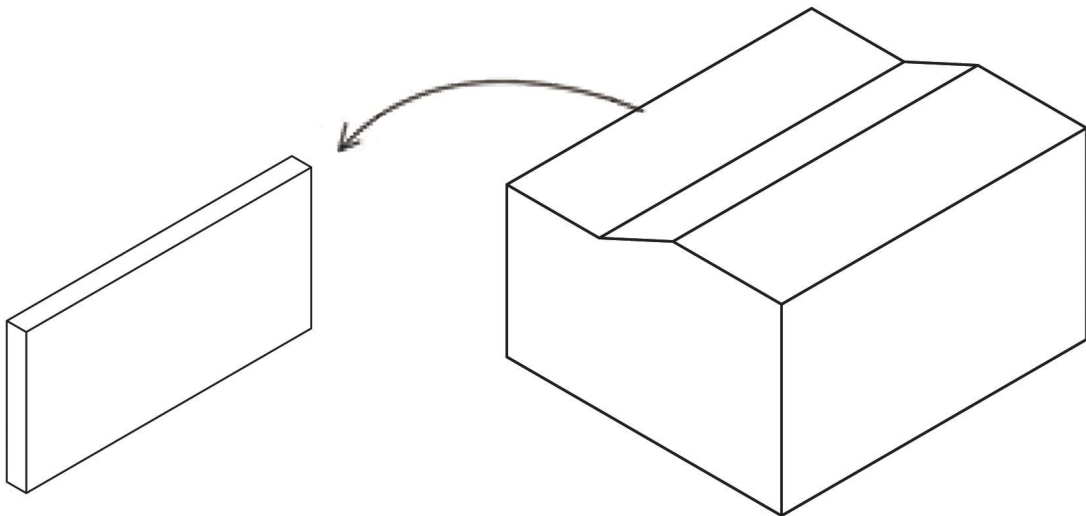
Thank you for purchasing this quality product. Be sure to unpack carefully looking for small parts which may have come loose during shipment.

Read all instruction and study the drawing carefully before starting the assembly process .

	Description	Sketch	Quantity
A	bolt		8
B	gasket		8
C	wrench		1
D	front left leg		2
E	rear leg		4
F	Wall plug transformer		1

Note: One leg with 4 bolt and 4 gasket.

Step 1: Take out the foot box from the carton. The foot box contains the feet (D/E) and accessories.



CAUTION

Do not allow children to play on this mechanism furniture or operate the mechanism. Leg rest folds down on closing so that child could possibly be injured. Always leave in an upright and closed position and keep hands feet clear of mechanism. Only the occupant should operate it.

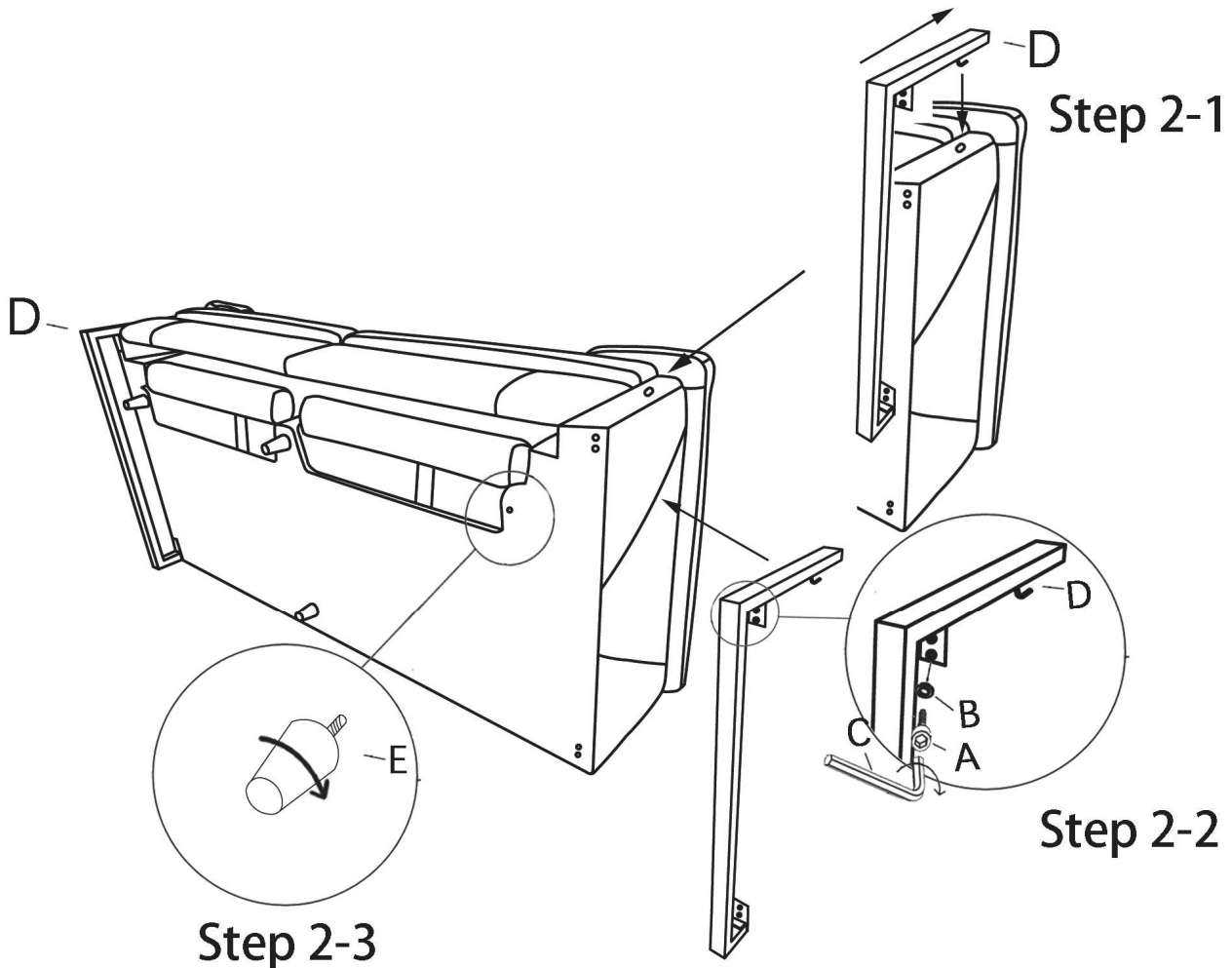
ASSEMBLY INSTRUCTION

ITEM: SS461-PH025-087/089

Jericho 2 over 2 PWR Sofa w/PWR HR

Thank you for purchasing this quality product. Be sure to unpack carefully looking for small parts which may have come loose during shipment.
Read all instruction and study the drawing carefully before starting the assembly process .

Step 2:Align the hook on the foot (D) with the hole on the sofa and insert it, then push it upwards to lock it. After locking, put the gasket (B) over the bolt (A) and align it with the hole at the bottom of the sofa, then lock it with a wrench (C) Finally, align the middle foot (E) with the hole at the bottom of the sofa and tighten it



CAUTION

Do not allow children to play on this mechanism furniture or operate the mechanism. Leg rest folds down on closing so that child could possibly be injured. Always leave in an upright and closed position and keep hands feet clear of mechanism. Only the occupant should operate it.

ASSEMBLY INSTRUCTION

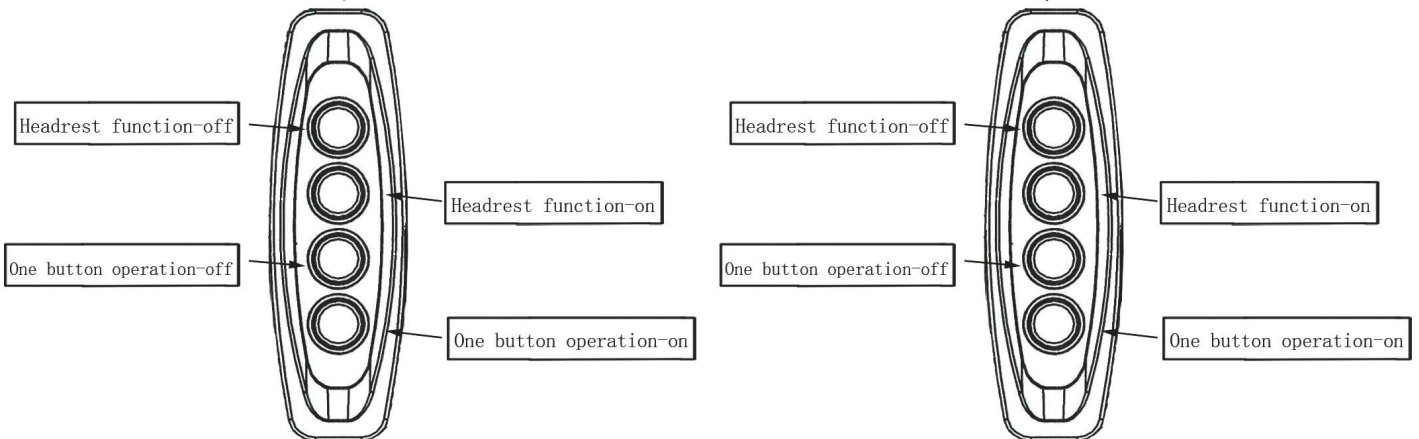
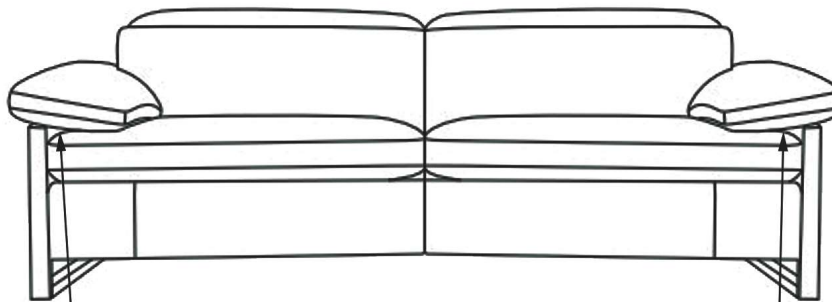
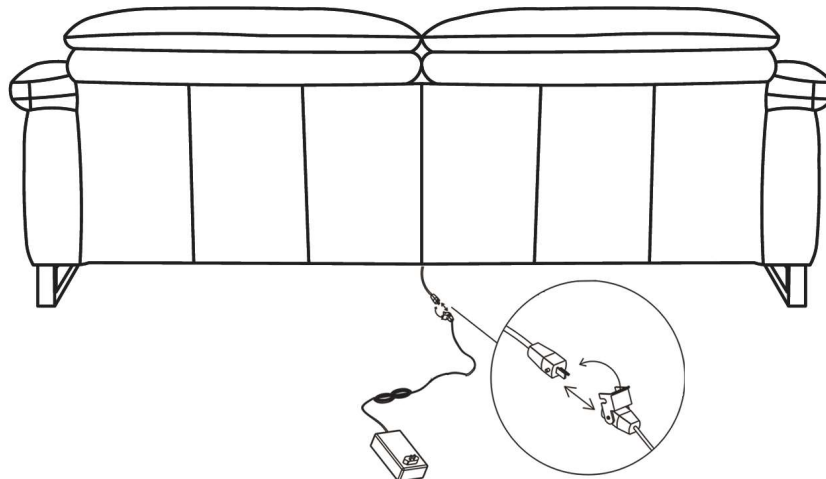
ITEM: SS461-PH025-087/089

Jericho 2 over 2 PWR Sofa w/PWR HR

Thank you for purchasing this quality product. Be sure to unpack carefully looking for small parts which may have come loose during shipment.

Read all instruction and study the drawing carefully before starting the assembly process .

Step 3: Connect the power plug to the sofa



CAUTION

Do not allow children to play on this mechanism furniture or operate the mechanism. Leg rest folds down on closing so that child could possibly be injured. Always leave in an upright and closed position and keep hands feet clear of mechanism. Only the occupant should operate it.