



SPEED
CHAMPIONS

77253



LEGO® Builder



Get excited about our new packaging!

We're switching from plastic to paper-based packaging. That's why you might find a mix of paper and plastic in our boxes!

Nos nouveaux emballages vous emballeront !

Nous passons des emballages en plastique aux emballages à base de papier. C'est pourquoi vous pourriez trouver un mélange de papier et de plastique dans nos boîtes !

¡Te presentamos nuestros nuevos empaques!

Estamos sustituyendo las bolsas de plástico por bolsas con base de papel. ¡Por eso, puedes encontrar una mezcla de papel y de plástico en nuestras cajas!

[LEGO.com/sustainable-packaging](https://www.lego.com/sustainable-packaging)

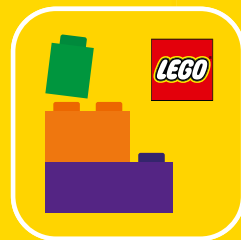


BUILDER



Apple and the Apple logo are trademarks of Apple Inc., registered in the U.S. and other countries and regions. App Store is a service mark of Apple Inc. Google Play and the Google Play logo are trademarks of Google LLC. Tencent and the Tencent logo are trademarks of Tencent Inc.

Q [LEGO.com/devicecheck](https://www.lego.com/devicecheck)



Q LEGO® Builder

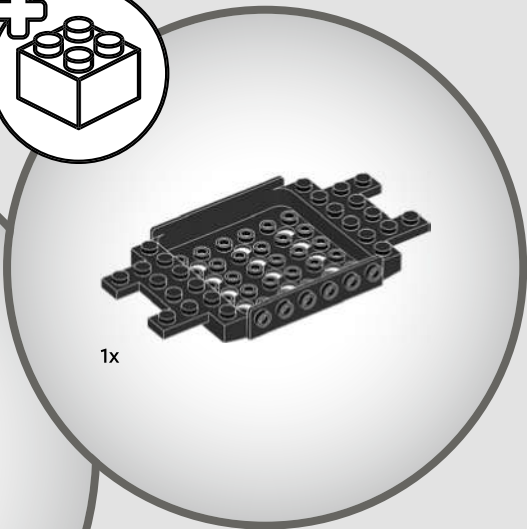
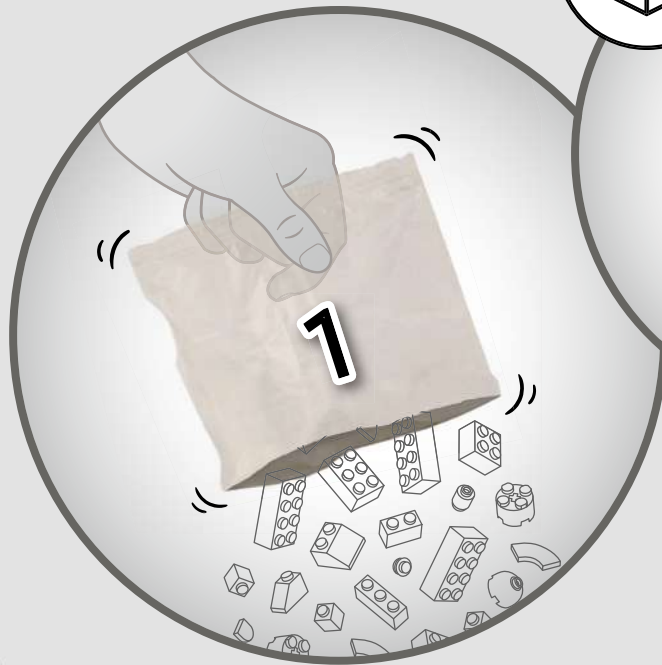
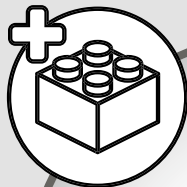
EN Ask parents' permission before going online | DE Eltern um Erlaubnis bitten, bevor du online gehst | FR Demande l'autorisation d'un parent avant d'aller en ligne | IT Chiedi il permesso ai tuoi genitori prima di andare online | ES Pídeles permiso a tus papás antes de conectarte a Internet | PT Peça autorização aos pais antes de acederes online | ZH 上网前应先征得父母的同意 | PL Poproś rodziców o zgodę, zanim wejdiesz do Internetu | CS Než půjdeš na internet, požádej rodiče o svolení | SK Skôr než pôjdeš na internet, vypýtaj si povolenie od rodičov | HU Kérj szülői engedélyt, mielőtt online csatlakoznál! | UA Запитуйте дозволу батьків, перш ніж користуватися інтернетом | RO Cere permisiunea părinților înainte de a te conecta online | BG Поискайте разрешение от родител, преди да влезете онлайн | LV Pirms došanās tiešsaistē palūdz atļauju vecākiem | ET Enne Interneti kasutamist küsi vanematelt luba | LT Prieš prisijungdami prie interneto, atsiklauskite tėvų



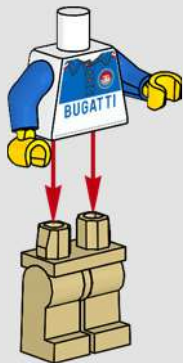
Harmony of design and creativity
Harmonie de conception et de créativité
Armonía entre el diseño y la creatividad



Epitome of elegance and performance
Incarnation de l'élégance et de la performance
Máxima expresión de la elegancia y el desempeño



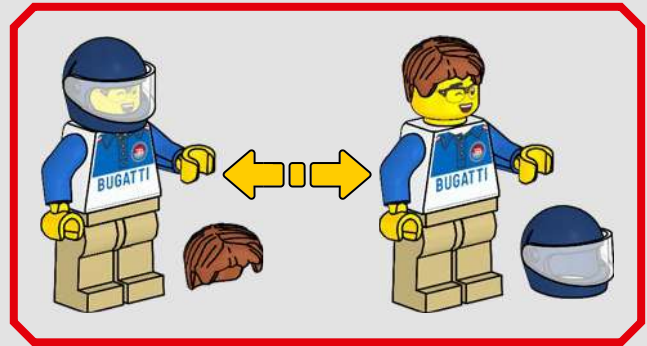
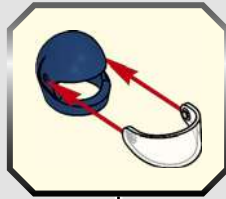
1

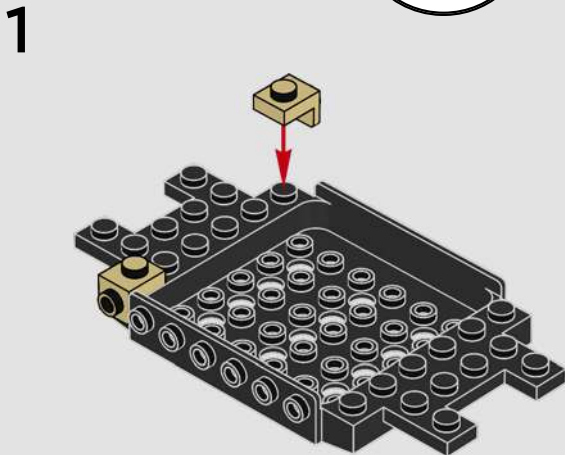
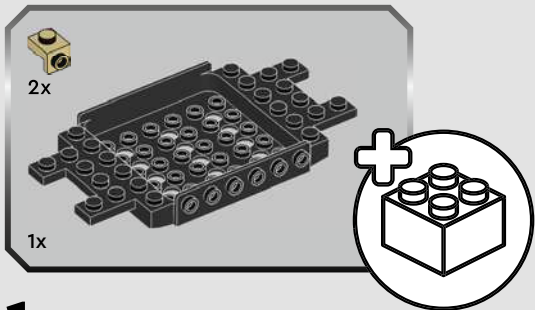


2

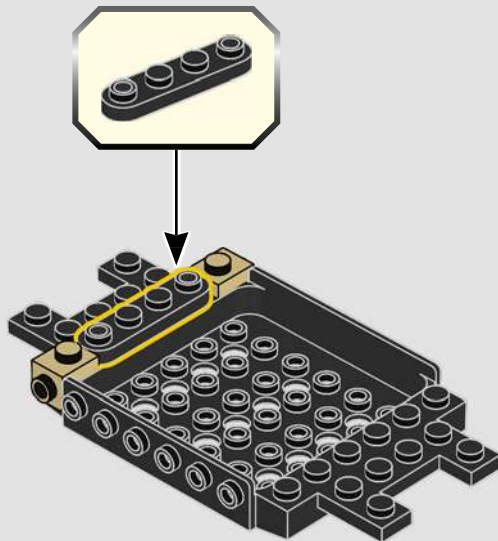


3



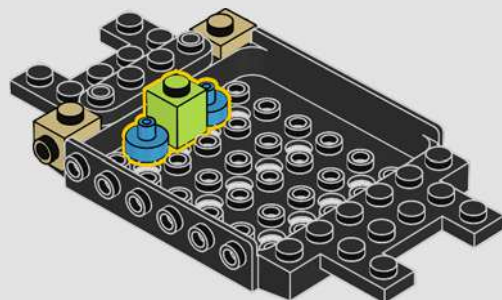


2

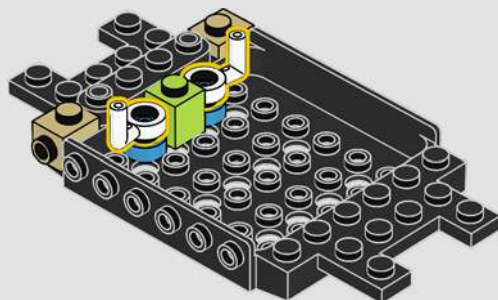




3



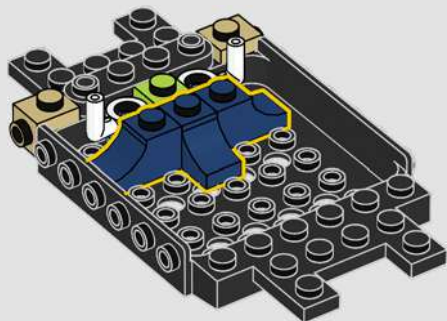
4





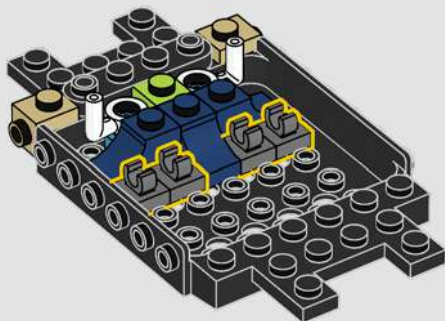
3x

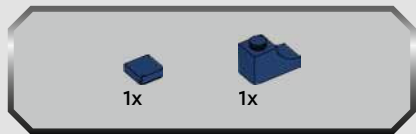
5



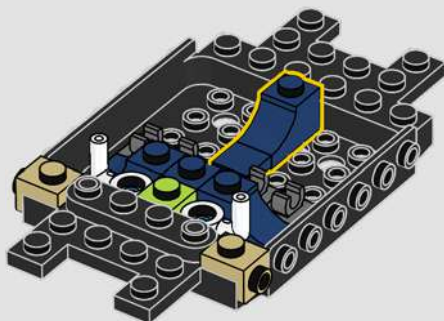
4x

6

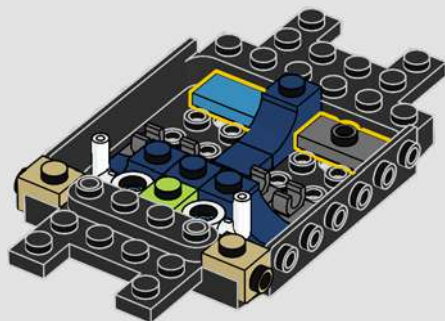




7



8



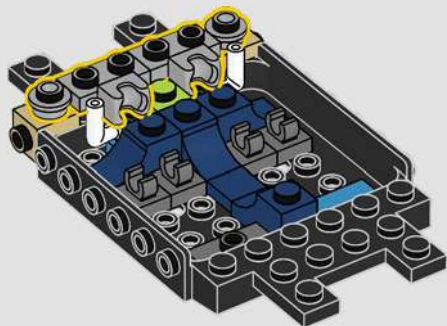


2x



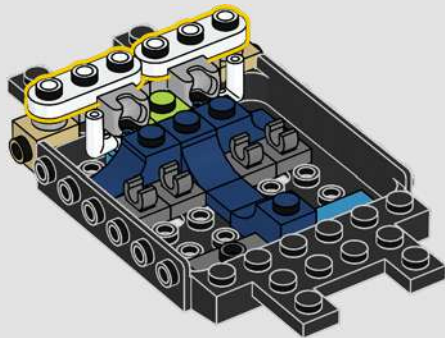
2x

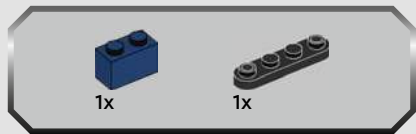
9



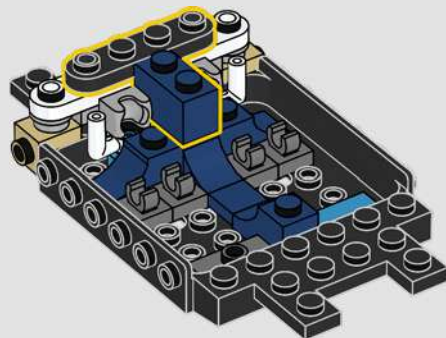
2x

10

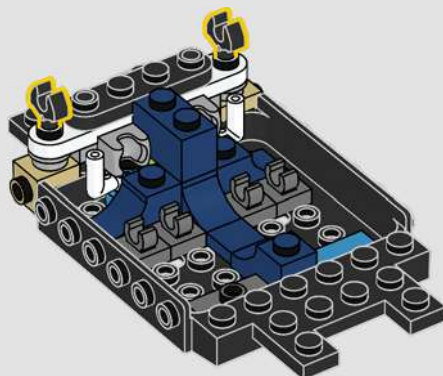




11

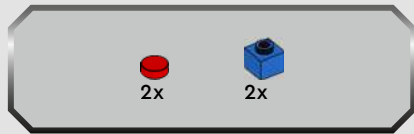
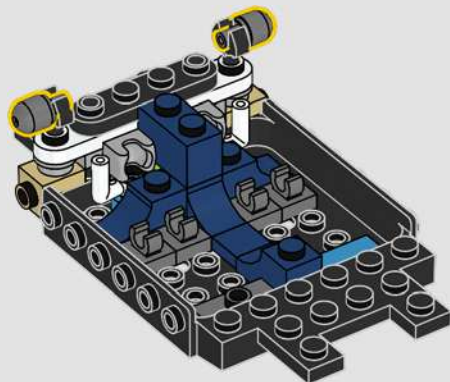


12

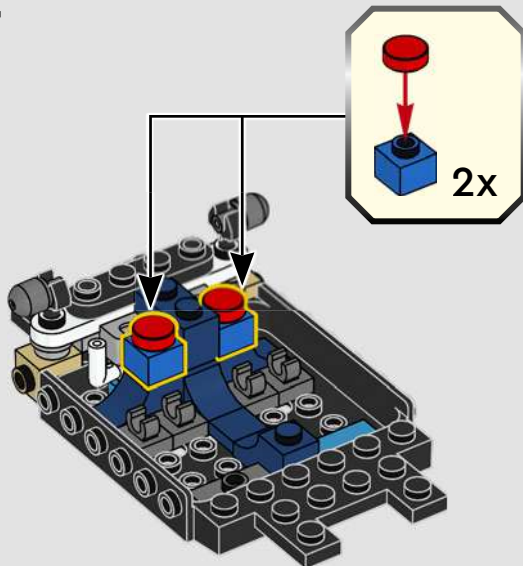




13

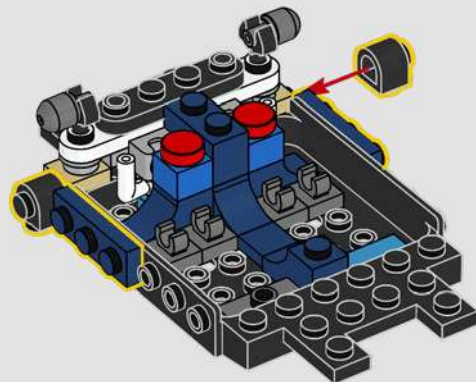


14

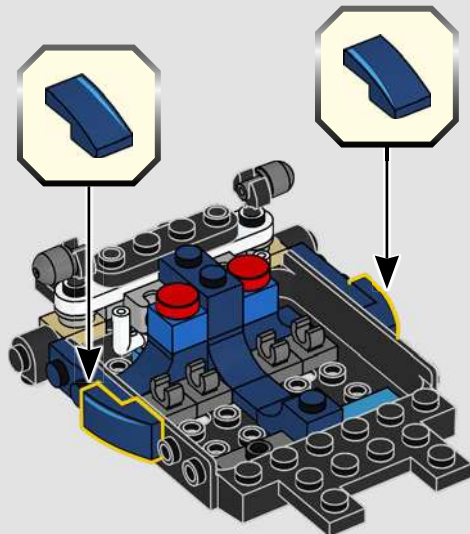




15



16



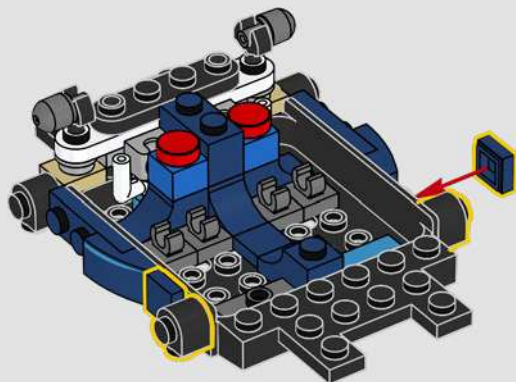


2x



2x

17

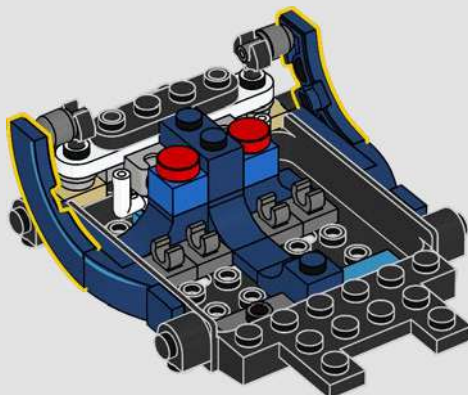


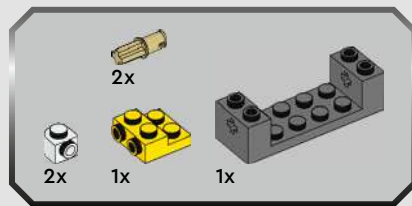
16



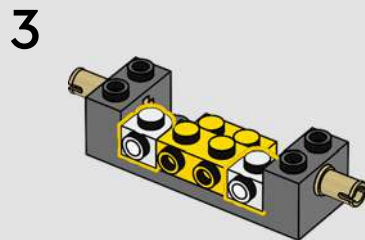
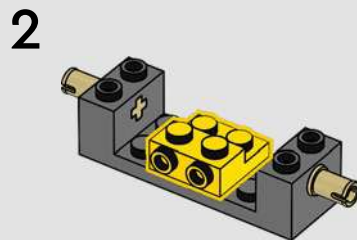
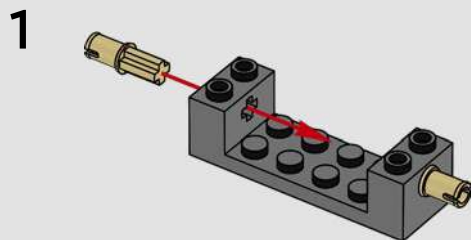
2x

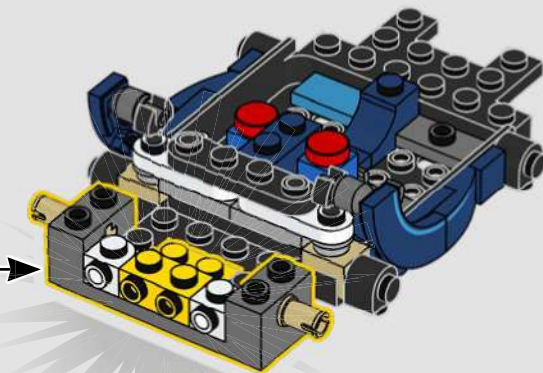
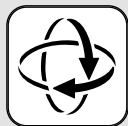
18

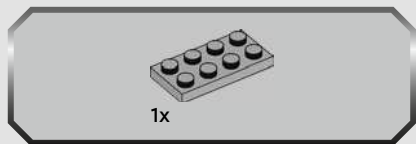




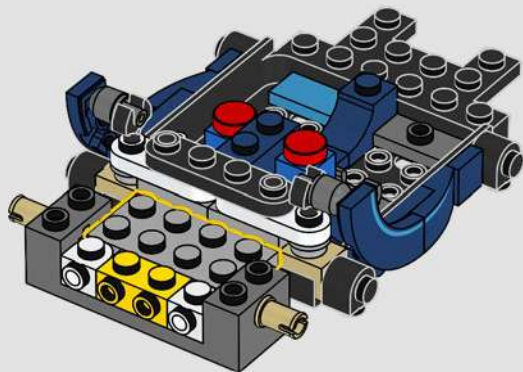
19



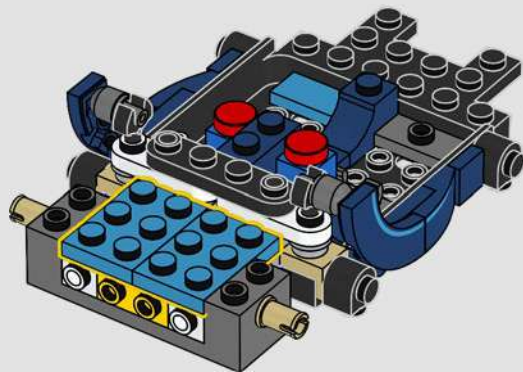


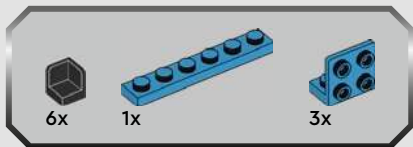


20

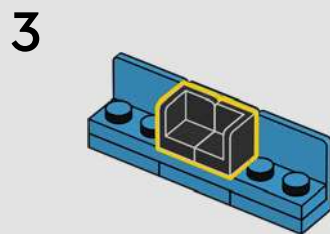
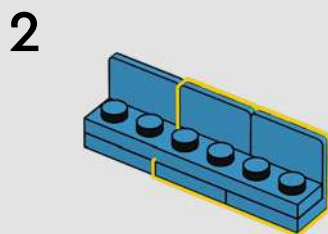
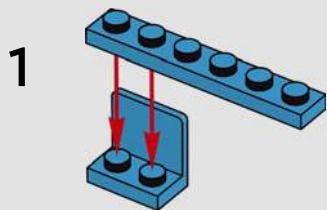


21

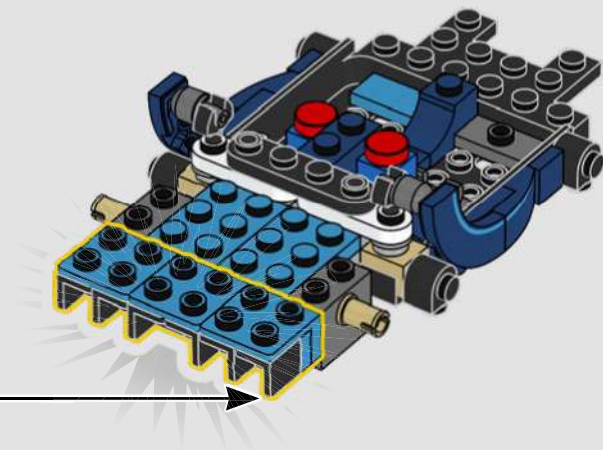
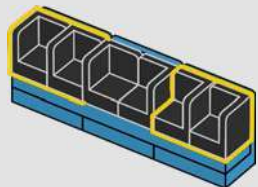




22



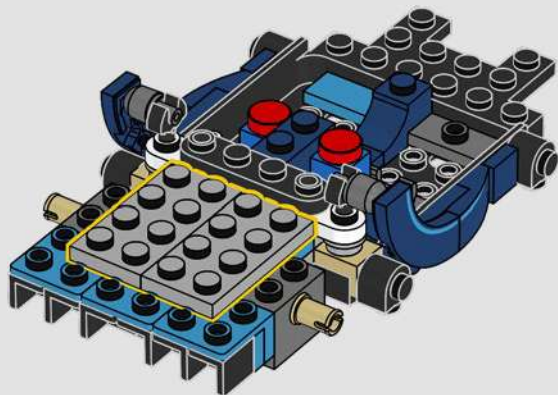
4

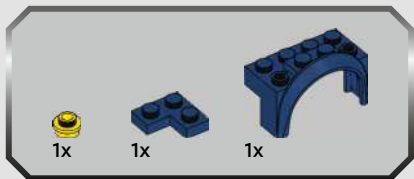




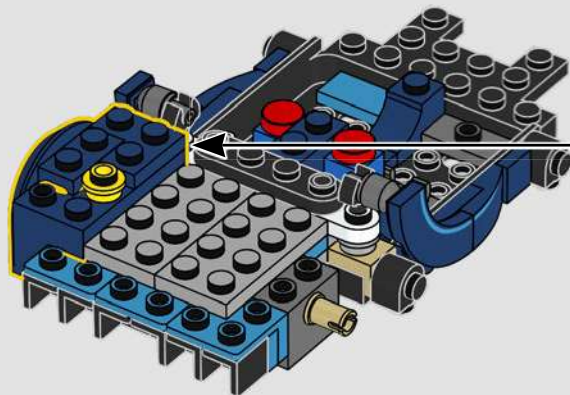
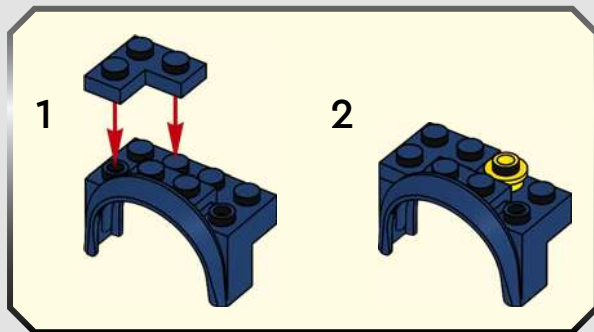
2x

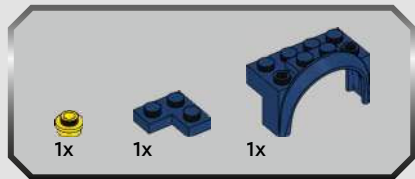
23



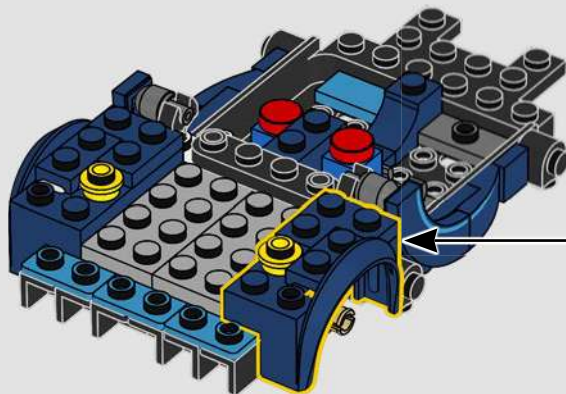
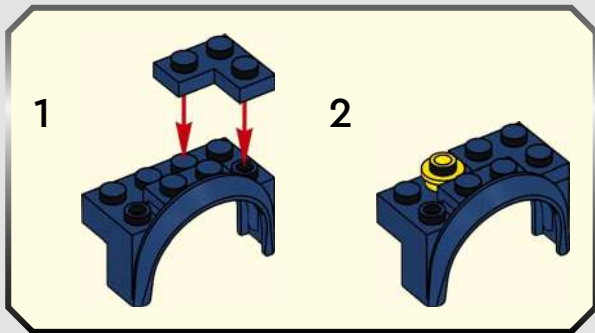


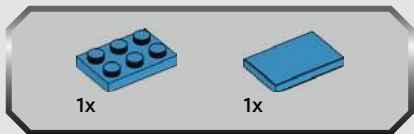
24



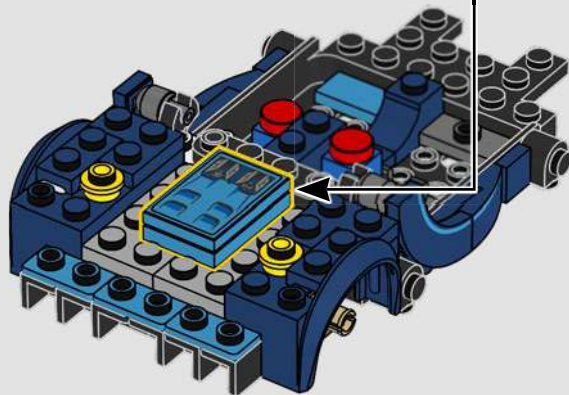
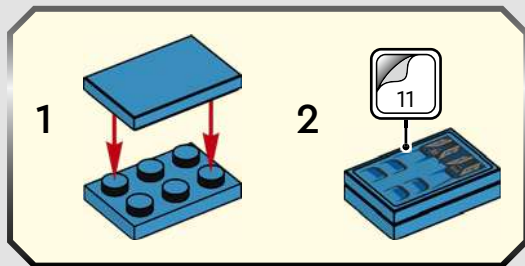


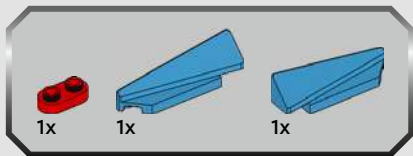
25



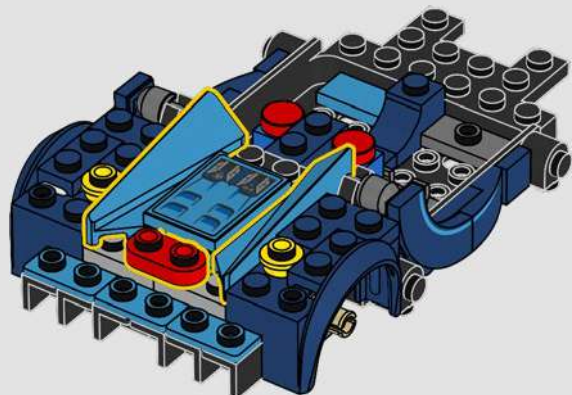


26

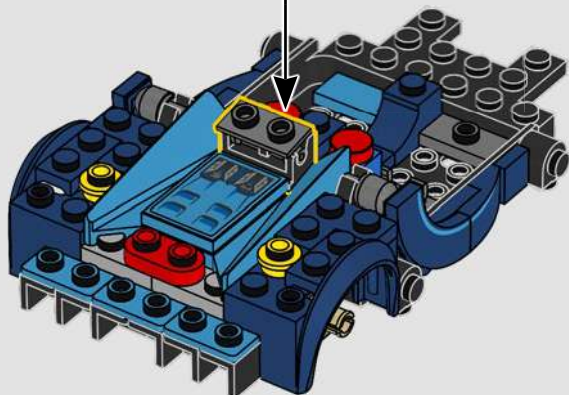
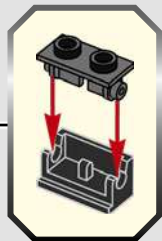


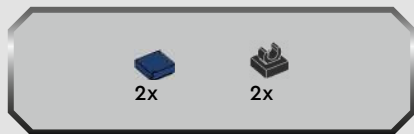


27

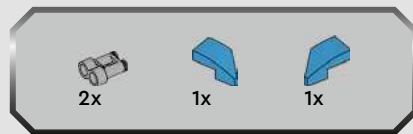
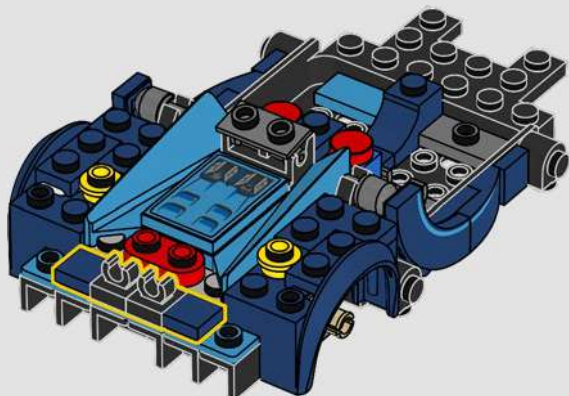


28

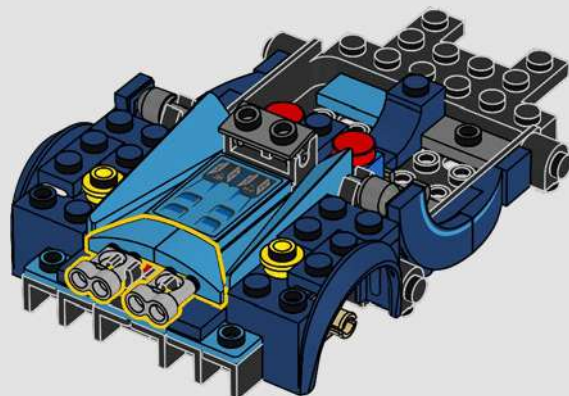




29

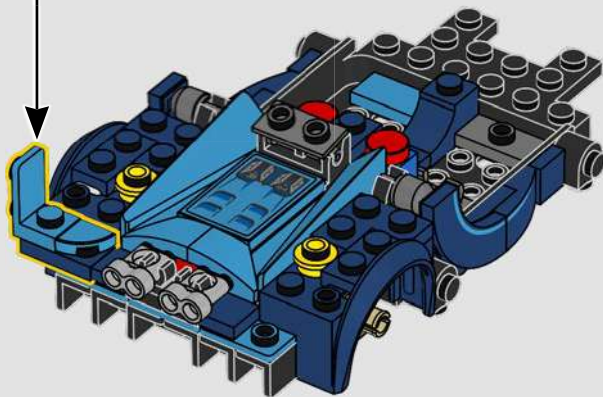
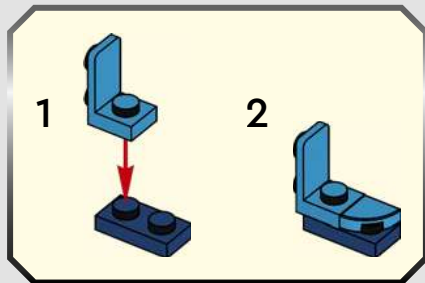


30



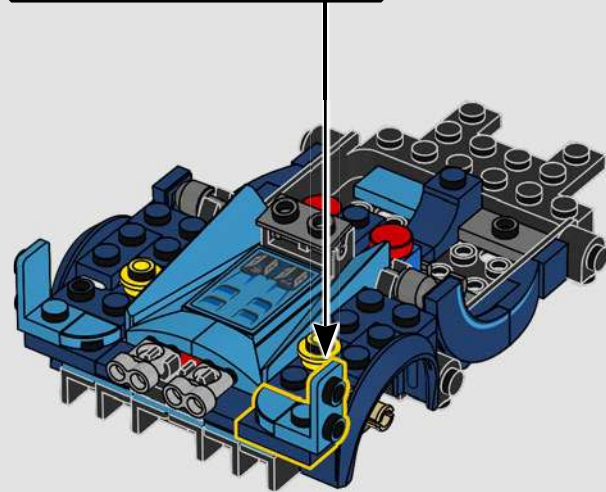
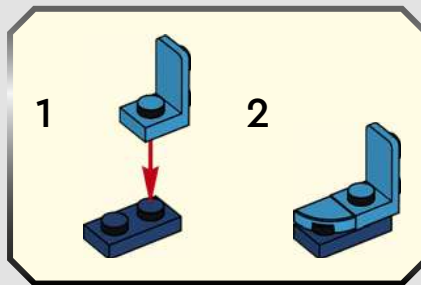


31





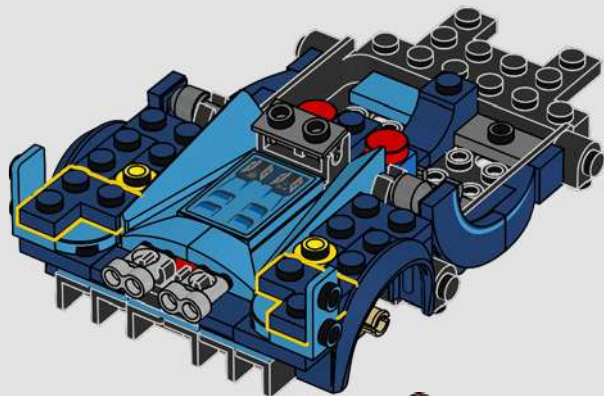
32

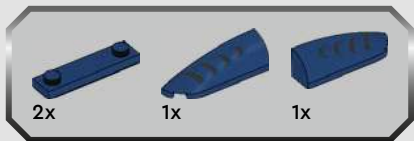




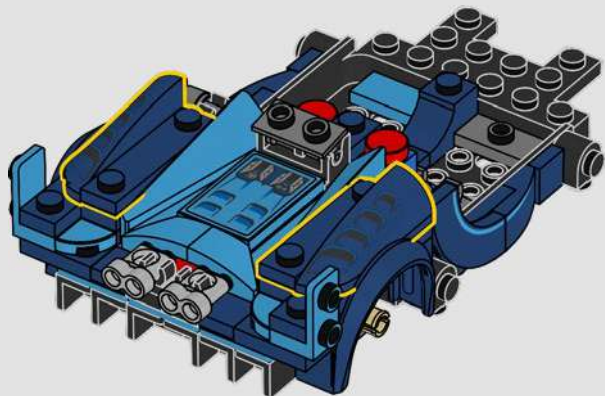
2x

33

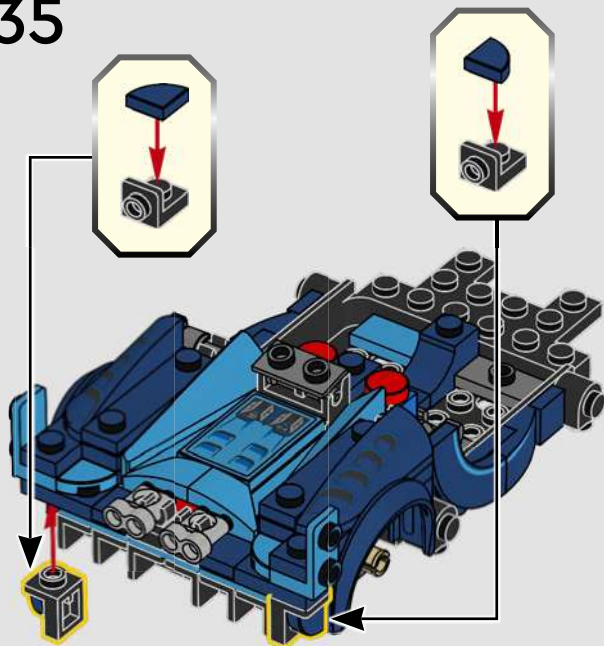


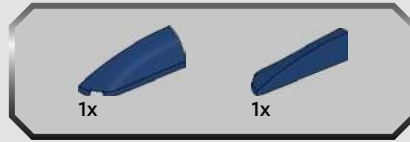


34

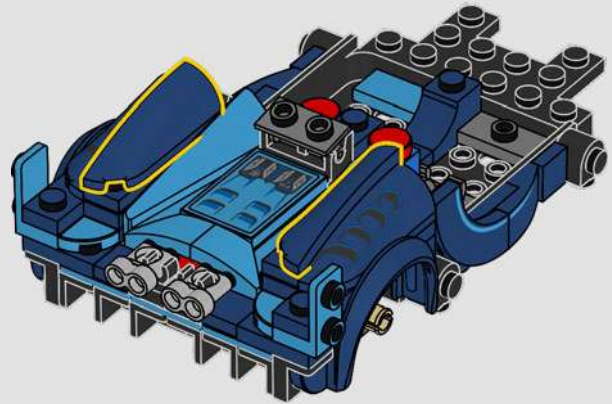


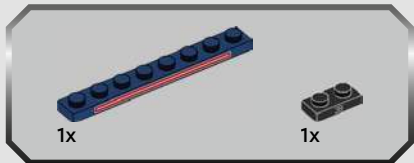
35



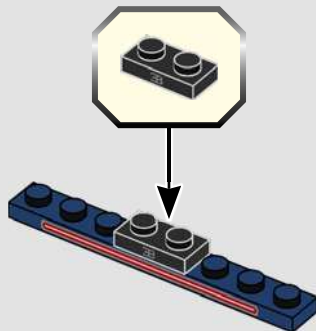


36

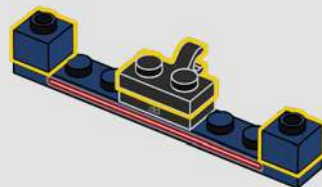




37



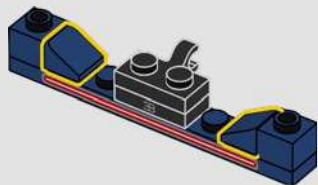
38





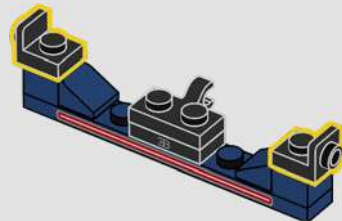
2x

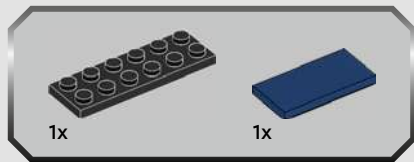
39



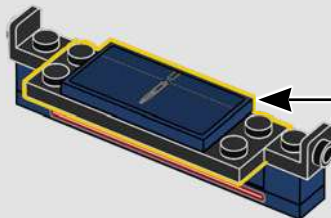
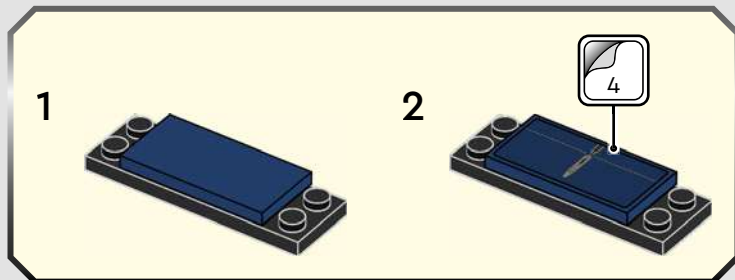
2x

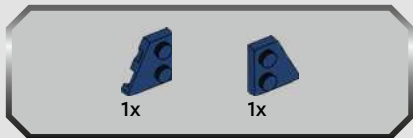
40



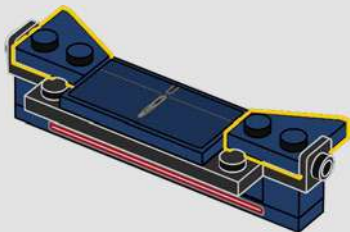


41

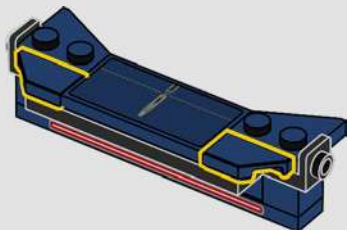




42

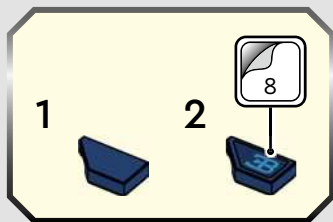


43

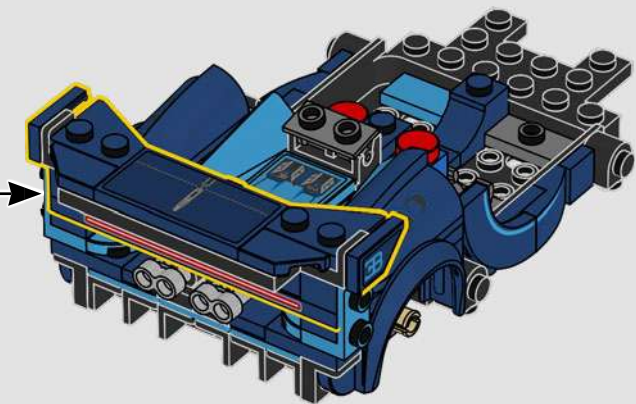




44

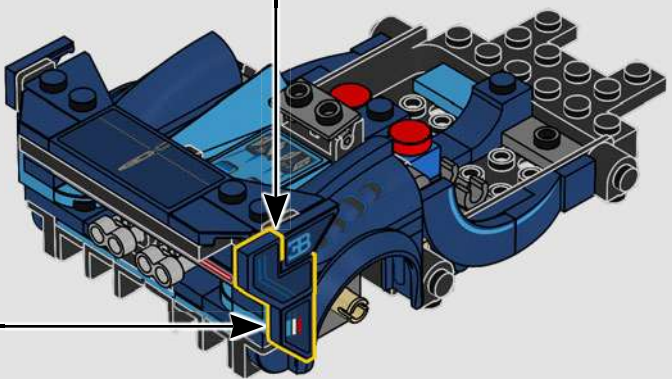
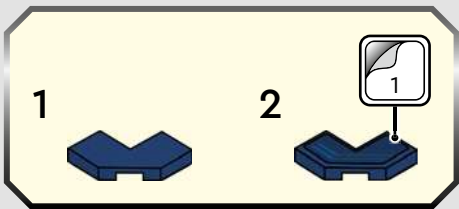


45



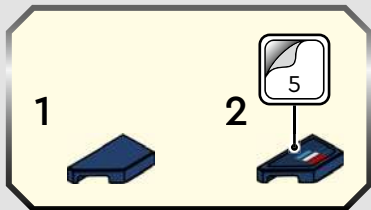
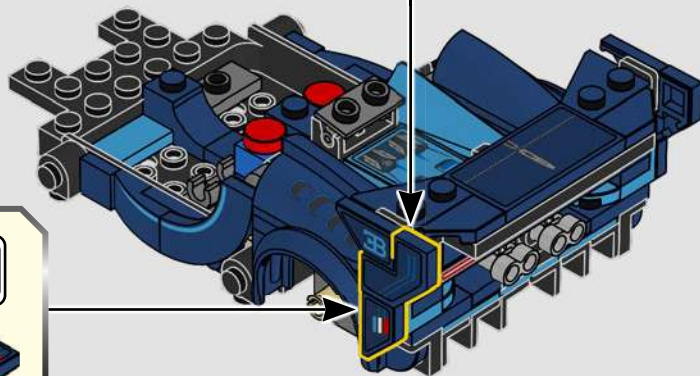
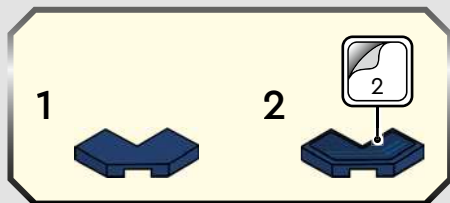


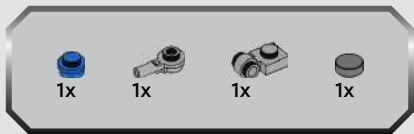
46



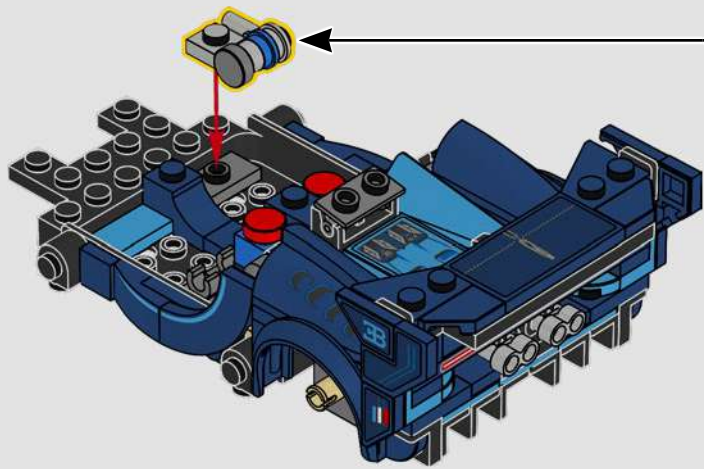
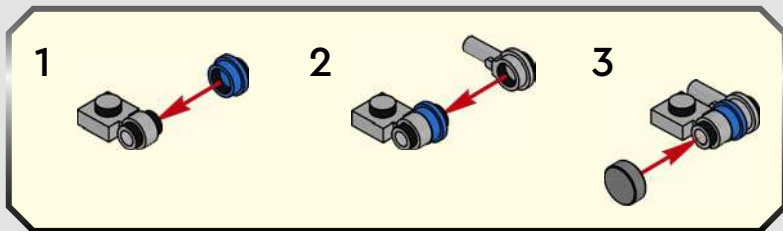


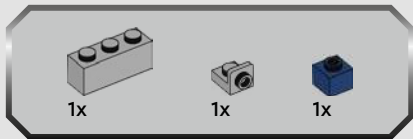
47



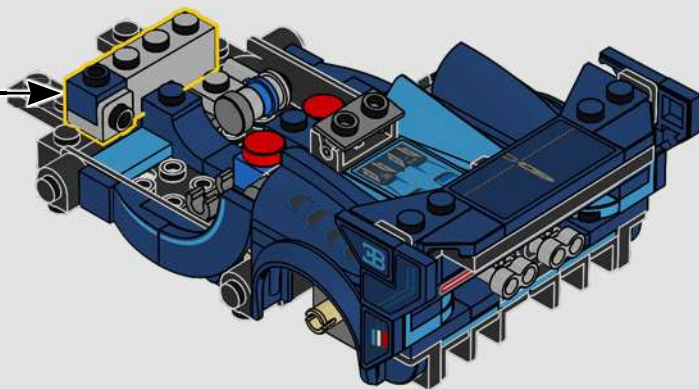
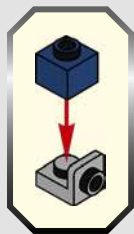


48



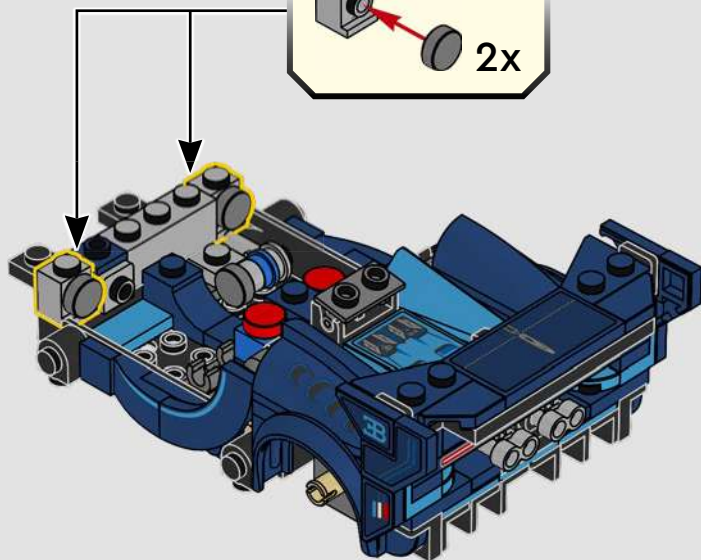
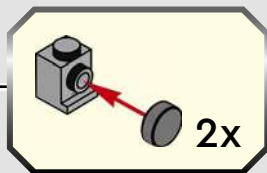


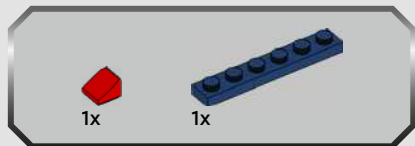
49



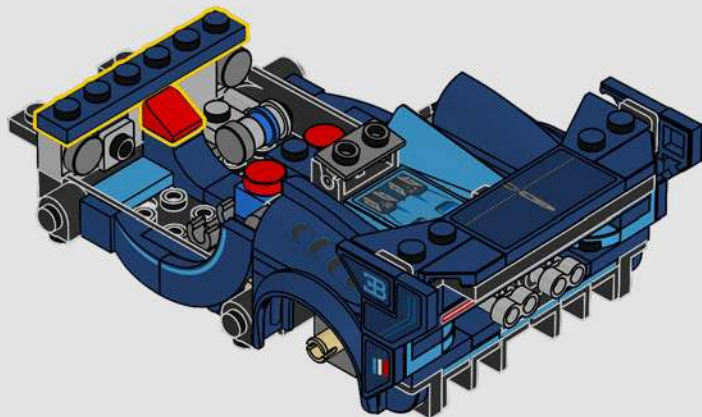


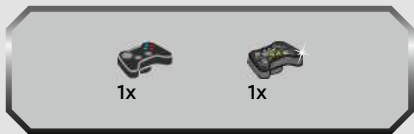
50



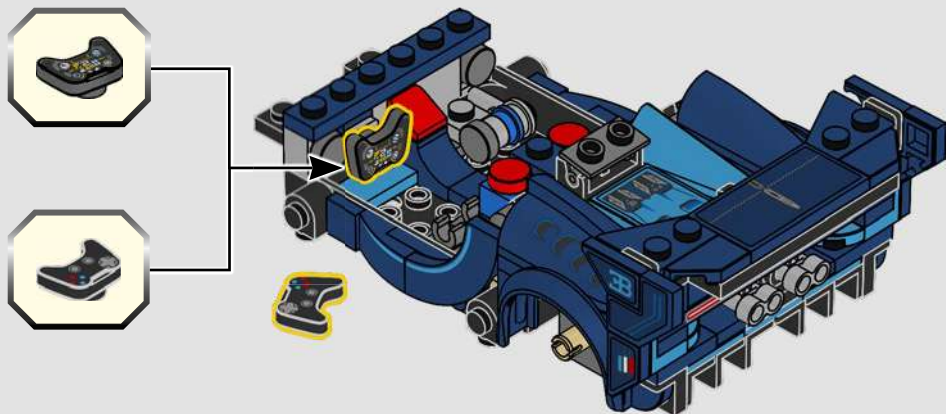


51



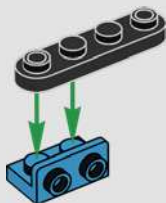


52

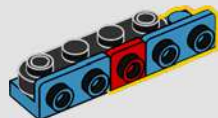




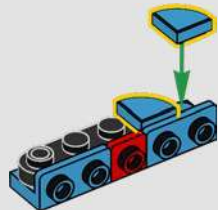
53

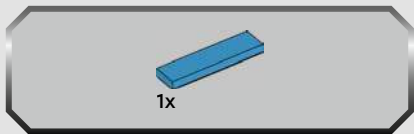


54

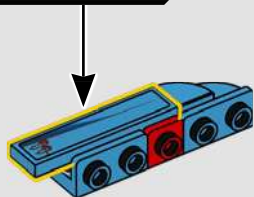
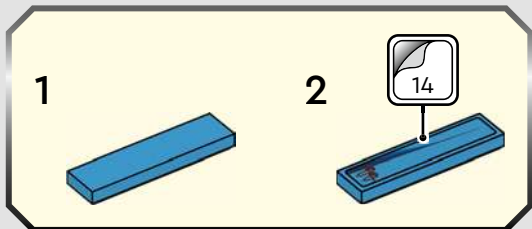


55

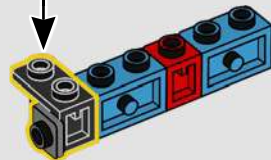
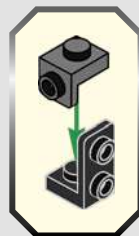


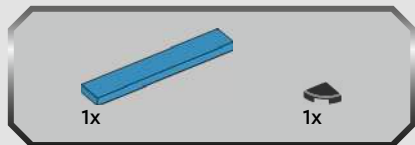


56

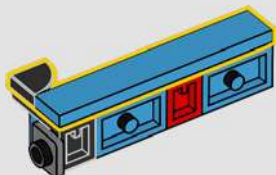


57

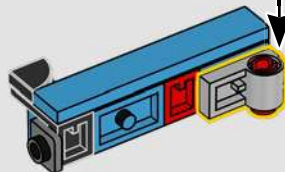
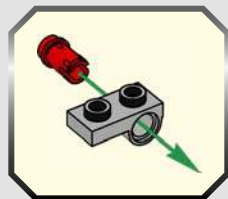




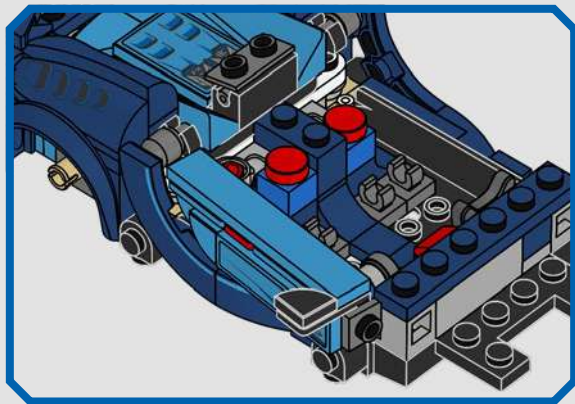
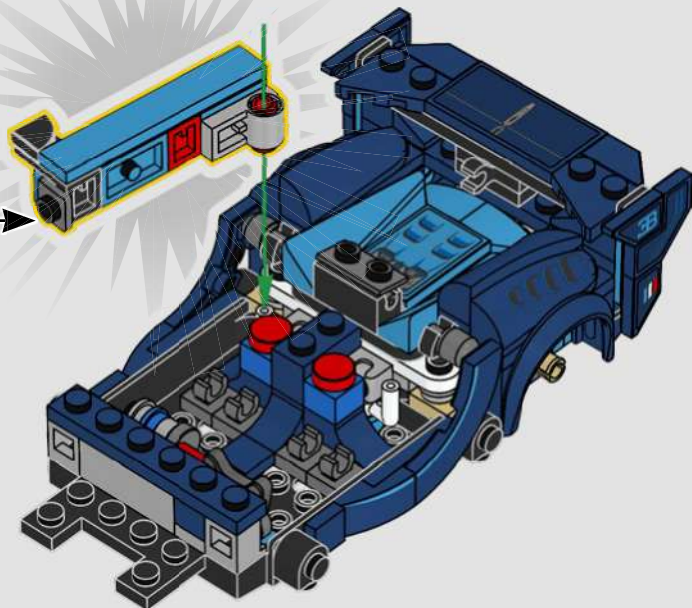
58



59

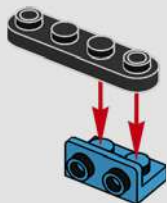


60





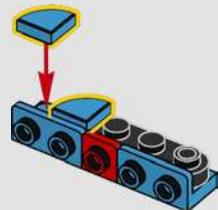
61

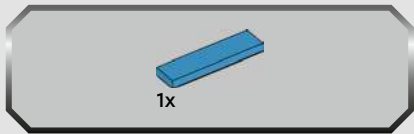


62

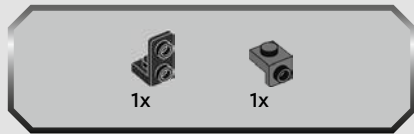
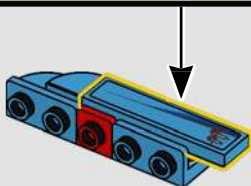
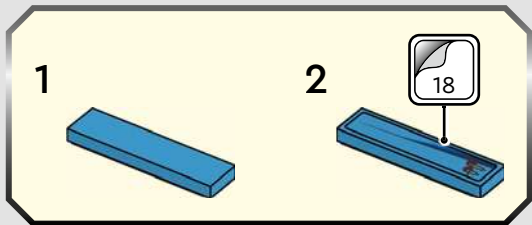


63

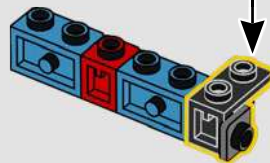
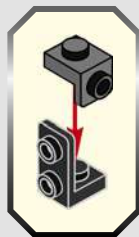


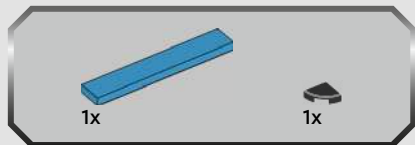


64

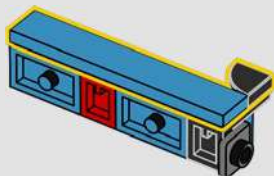


65

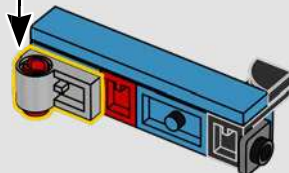
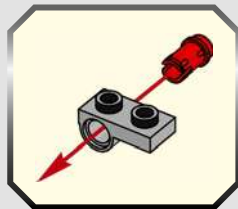




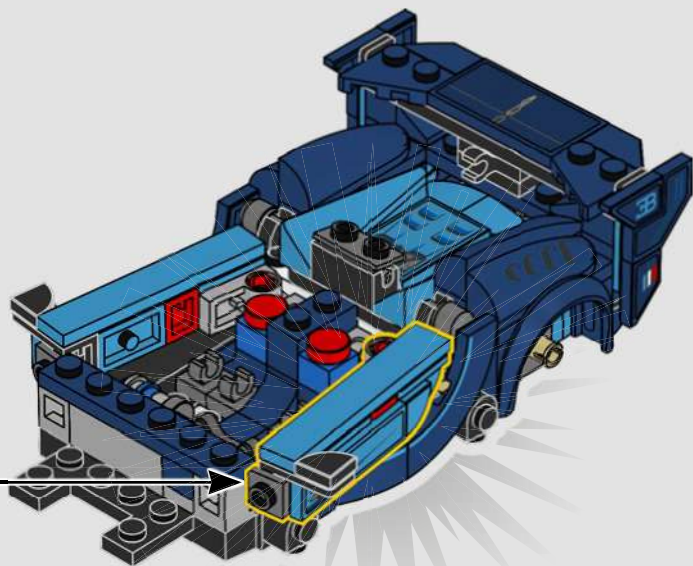
66

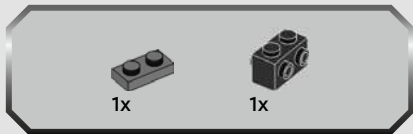


67

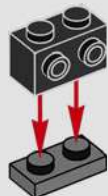


68

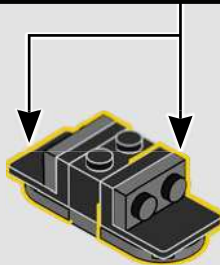
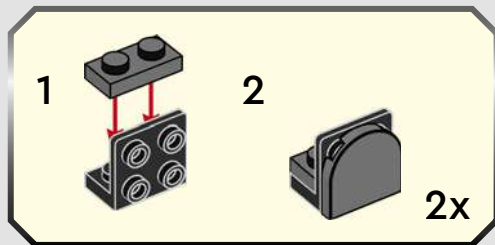




69

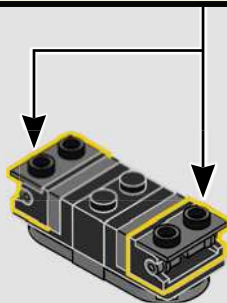
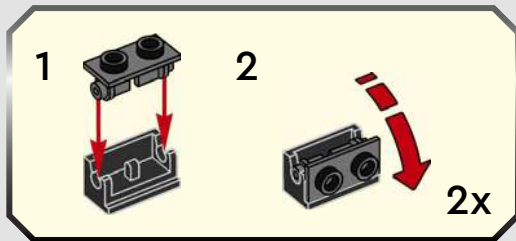


70

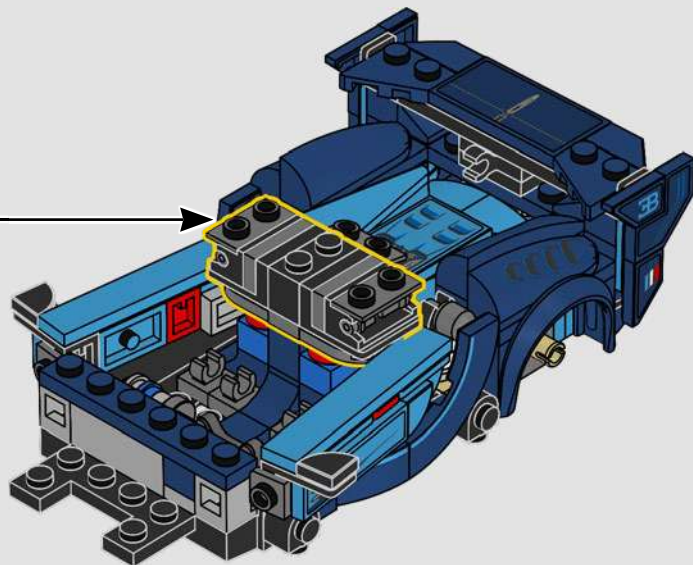




71

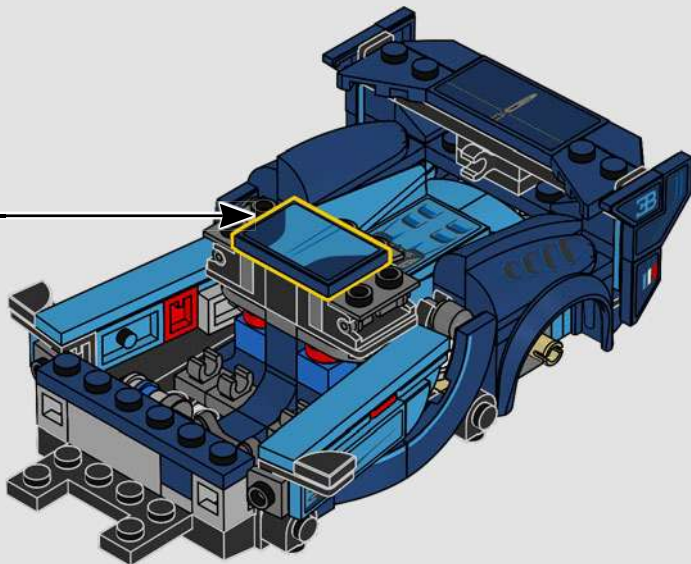
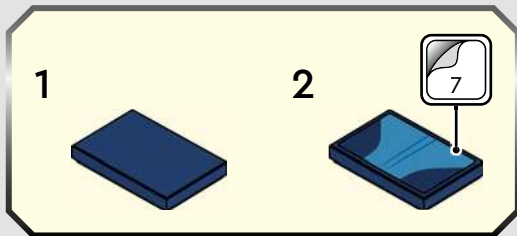


72





73



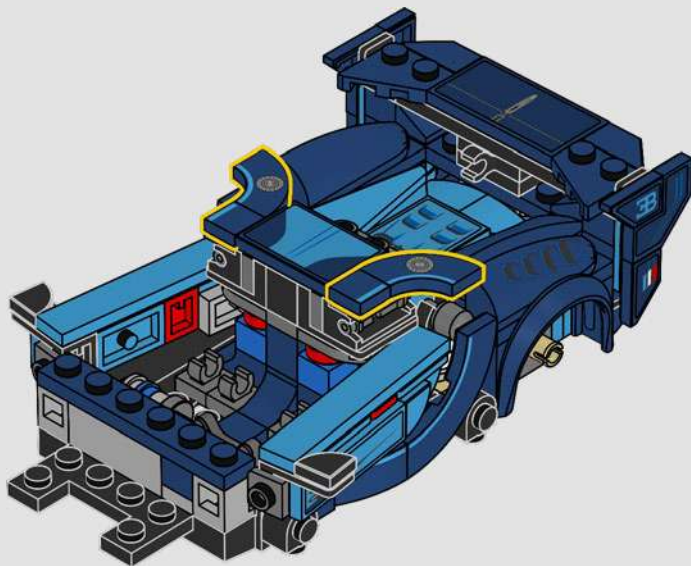


2x

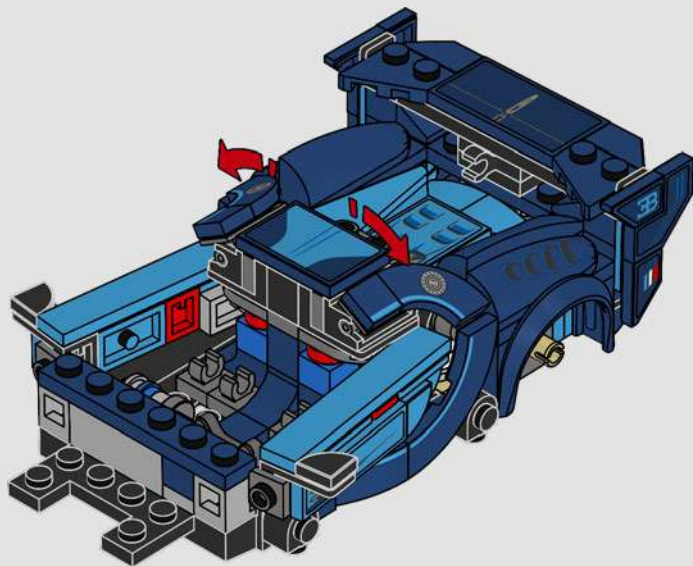


2x

74

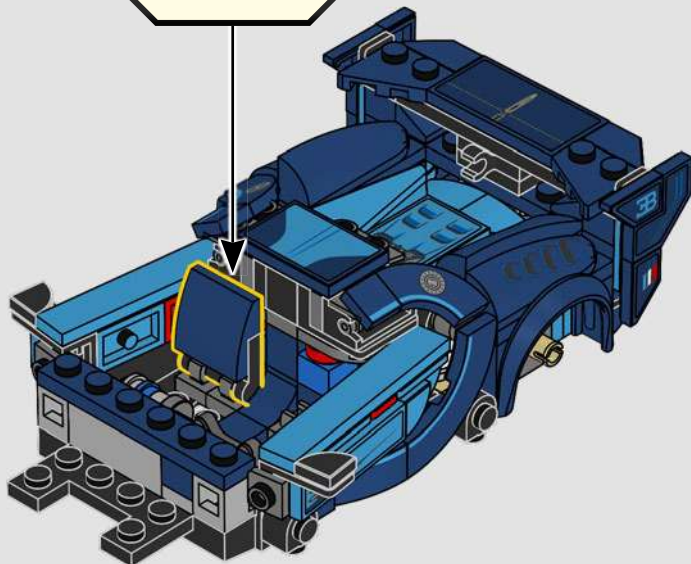


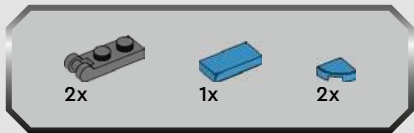
75



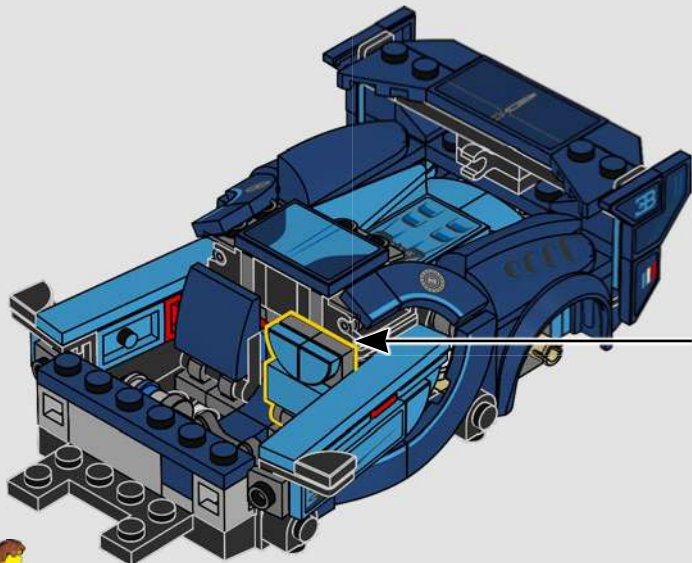
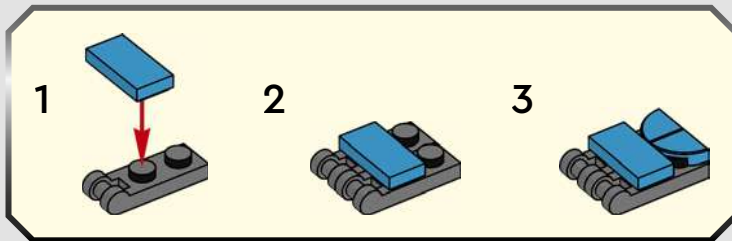


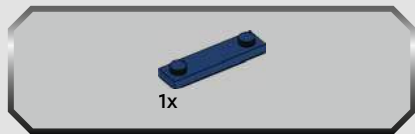
76



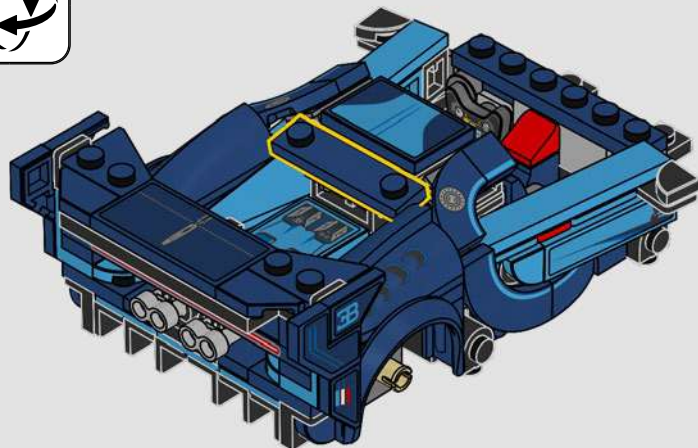
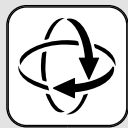


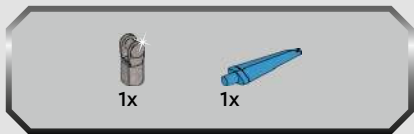
77



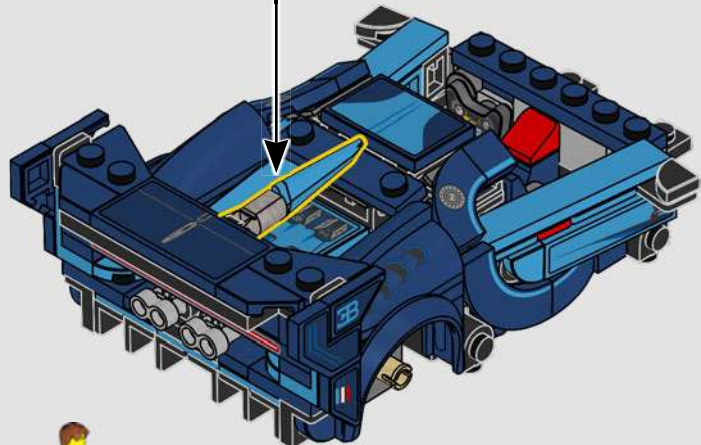
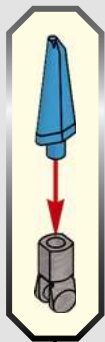


78





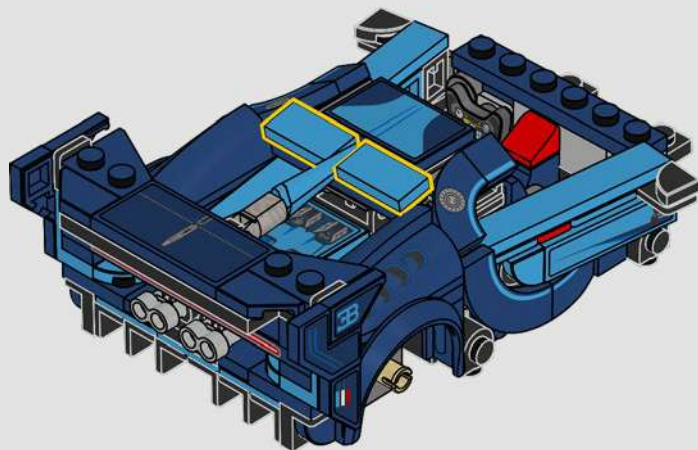
79

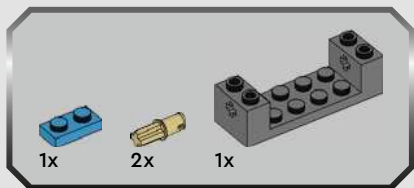




2x

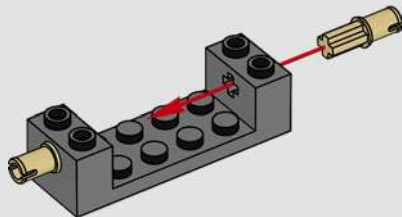
80



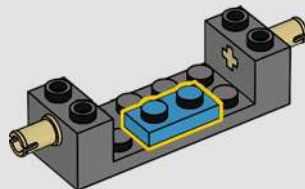


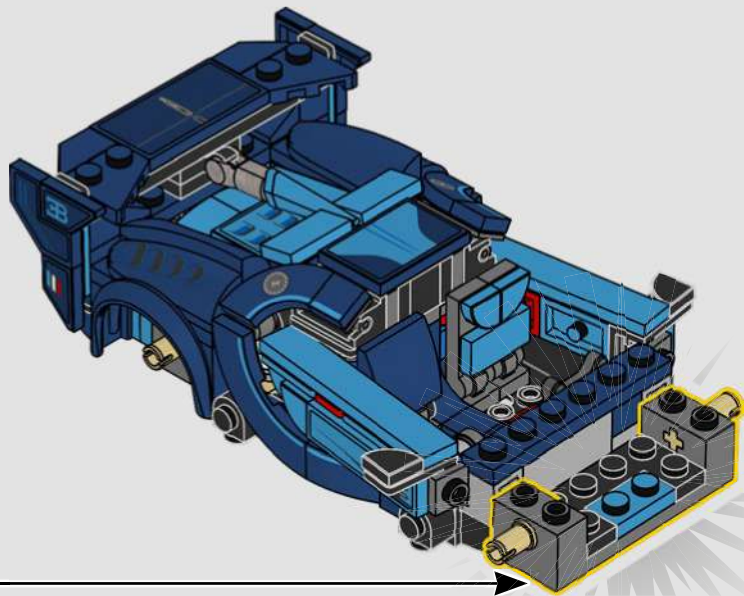
81

1



2





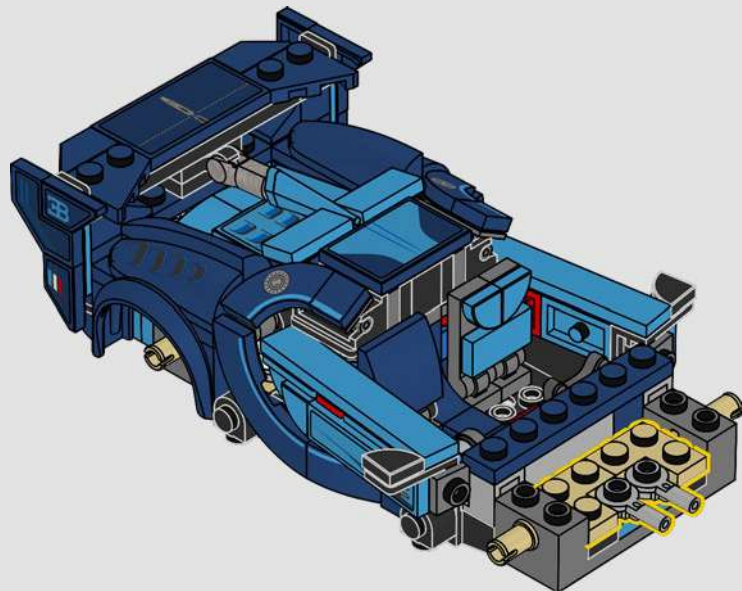


2x



2x

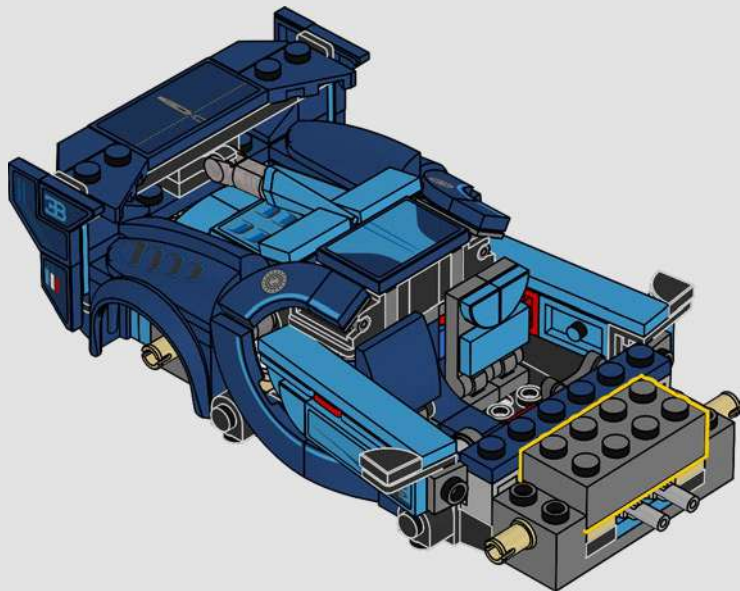
82





1x

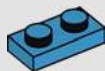
83





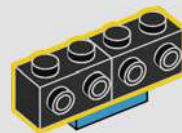
1x

84



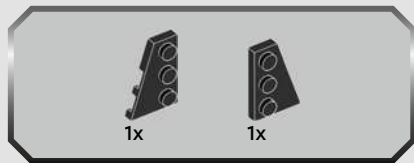
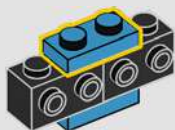
2x

85

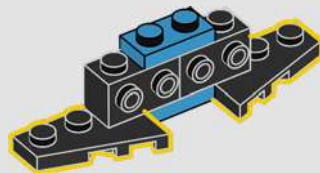




86



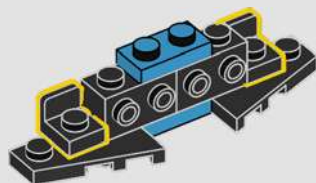
87





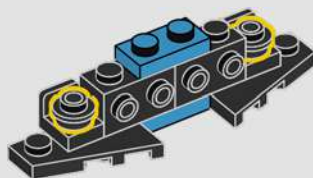
2x

88



2x

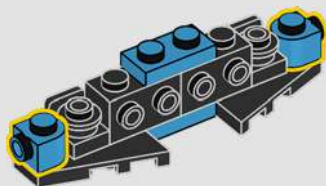
89





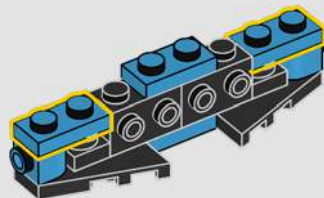
2x

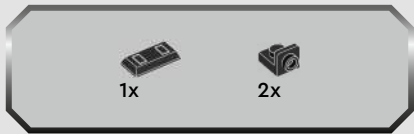
90



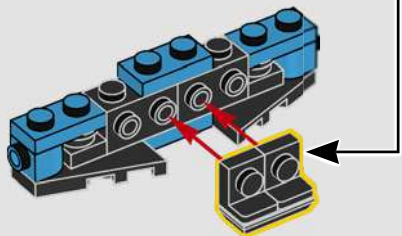
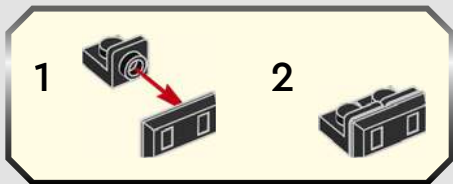
2x

91

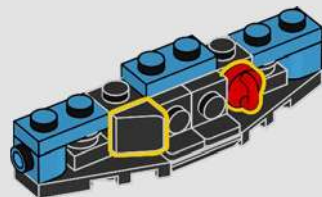




92

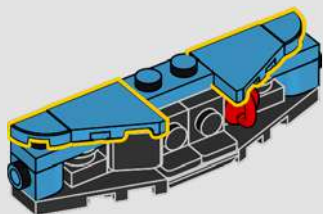


93

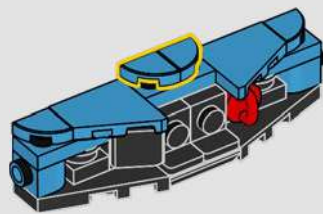


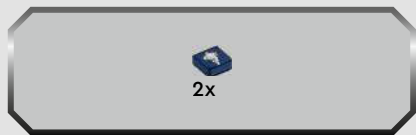


94

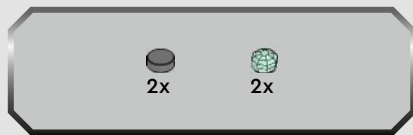
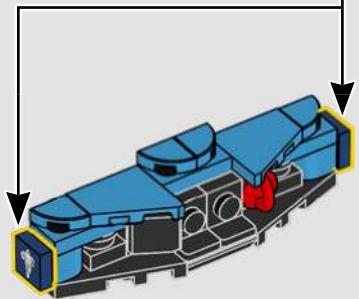


95

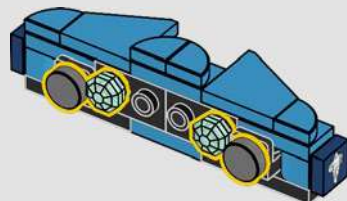




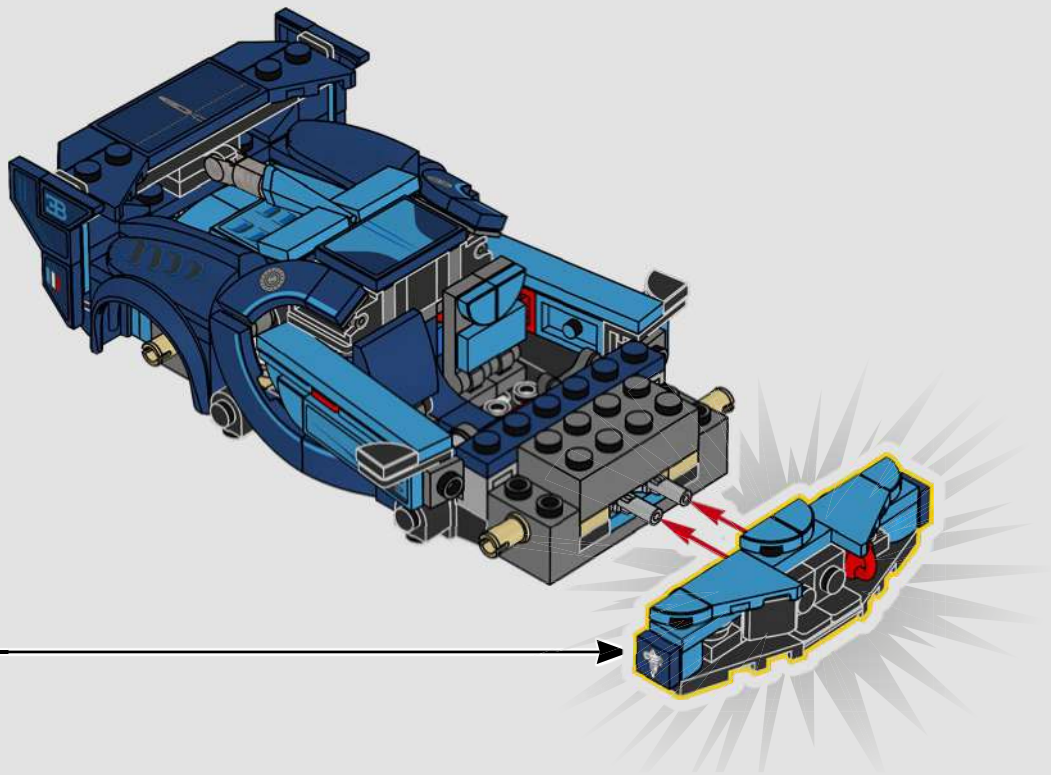
96

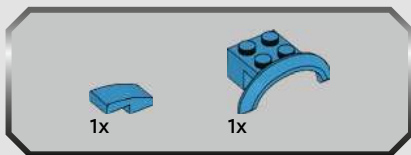


97

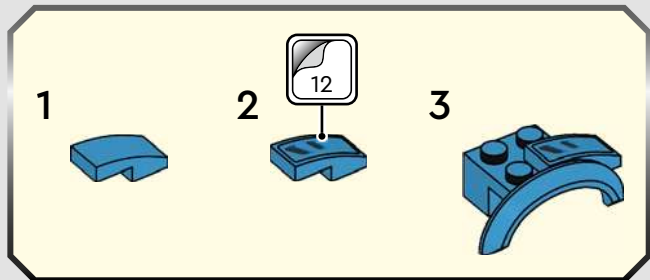
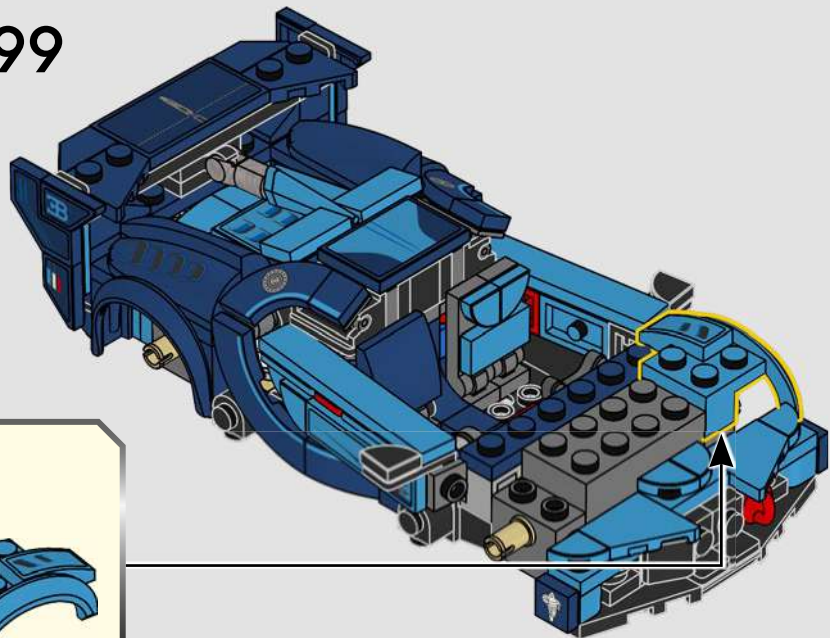


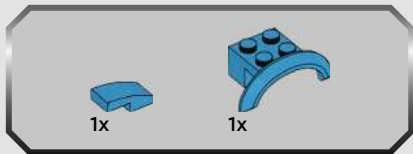
98



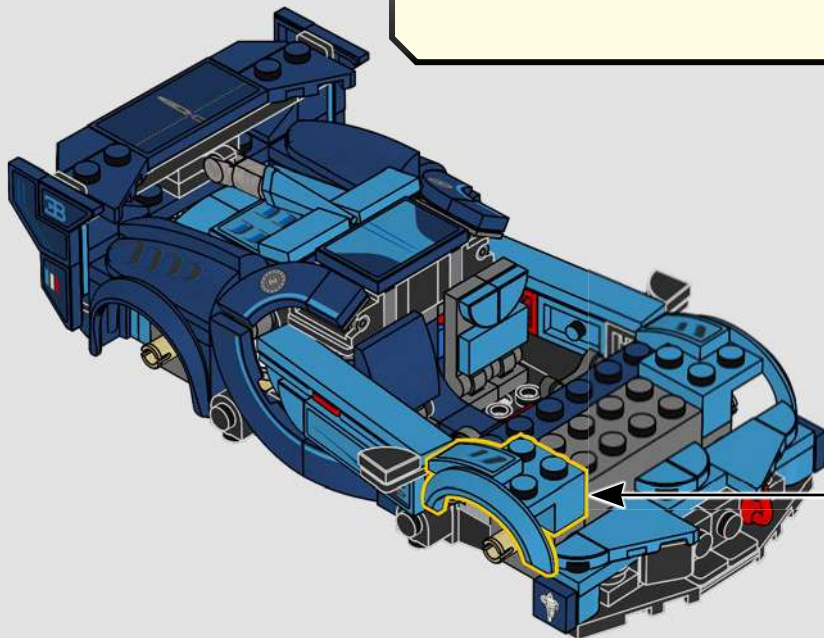
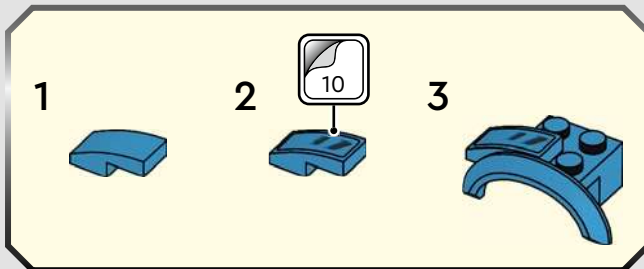


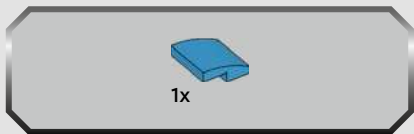
99





100





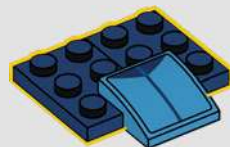
101



102

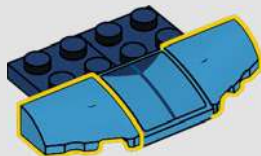


103

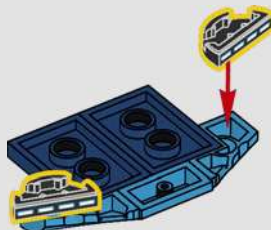




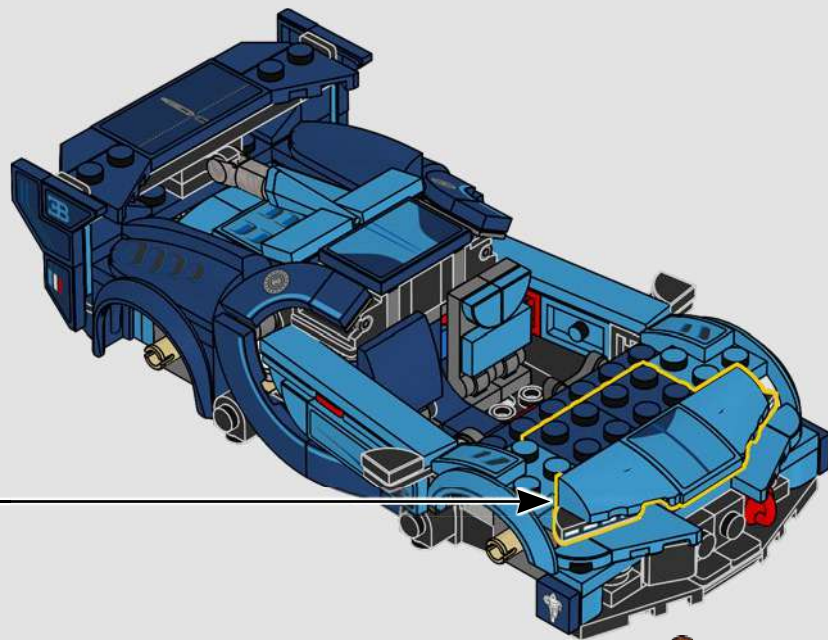
104



105

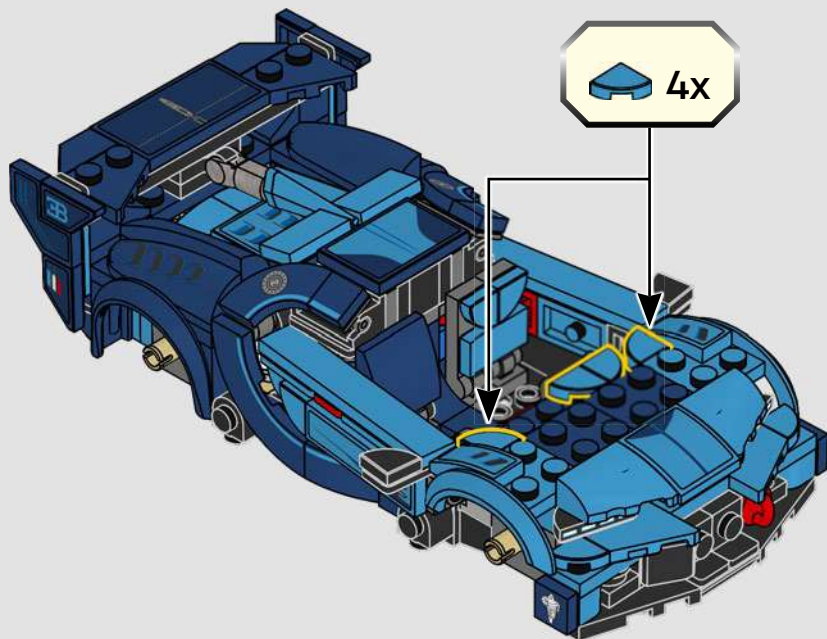


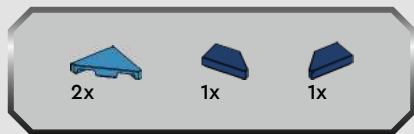
106



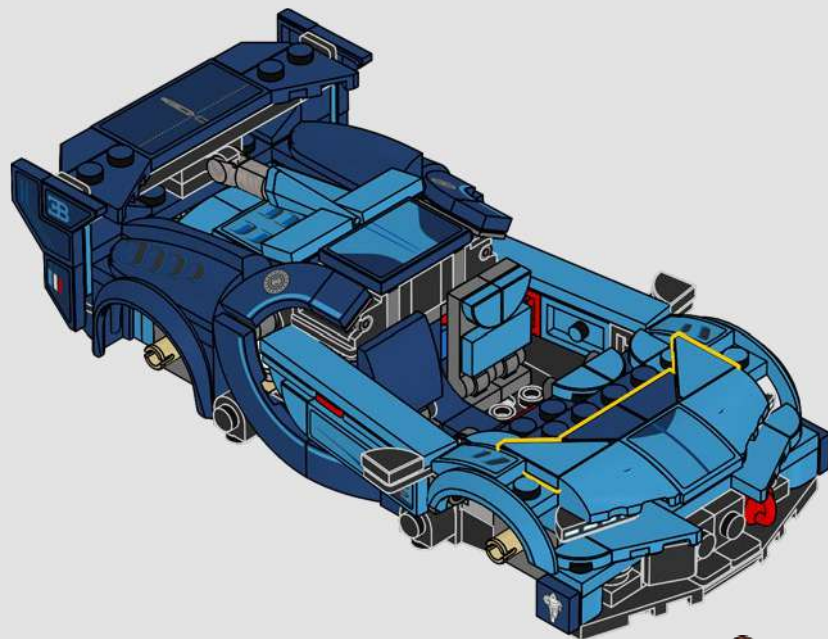


107



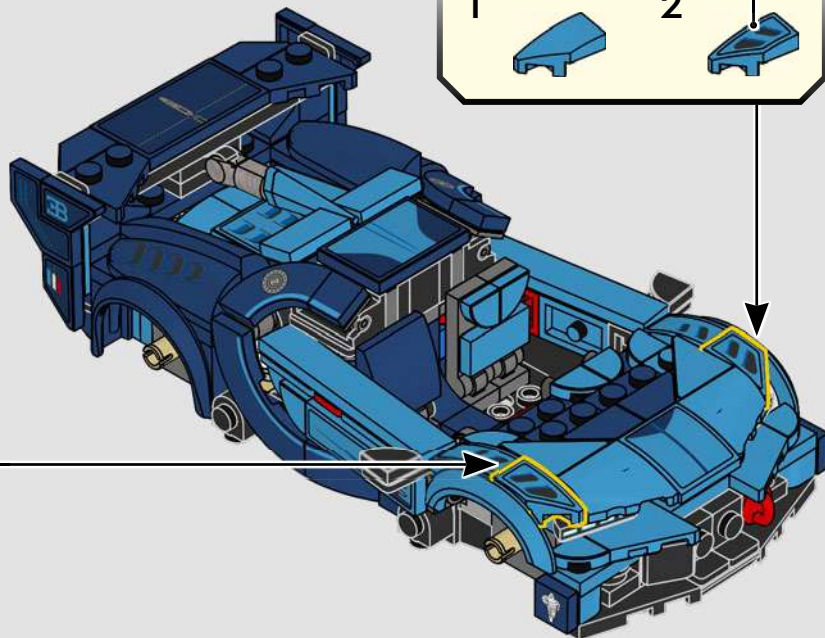
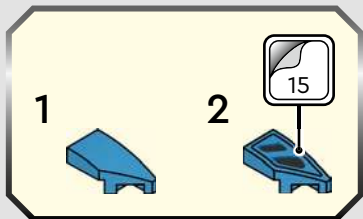
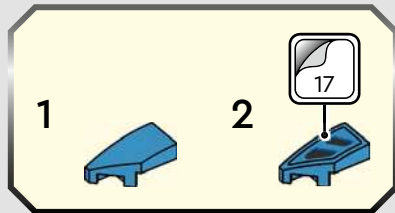


108



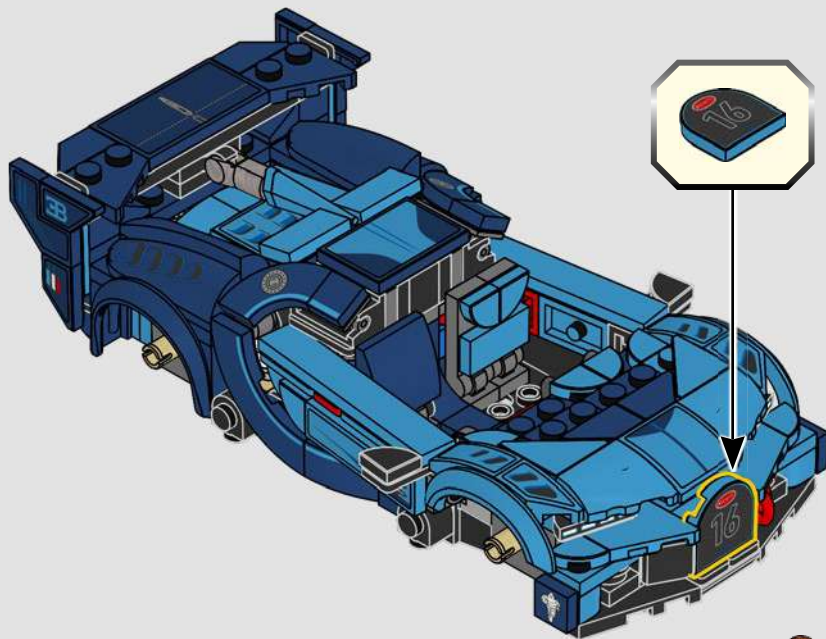


109



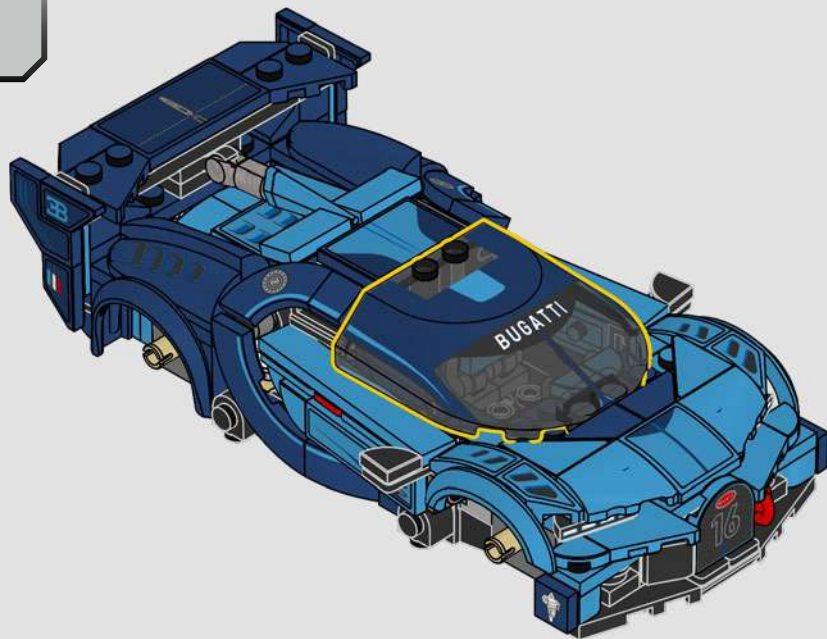


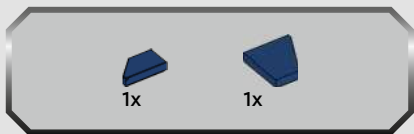
110



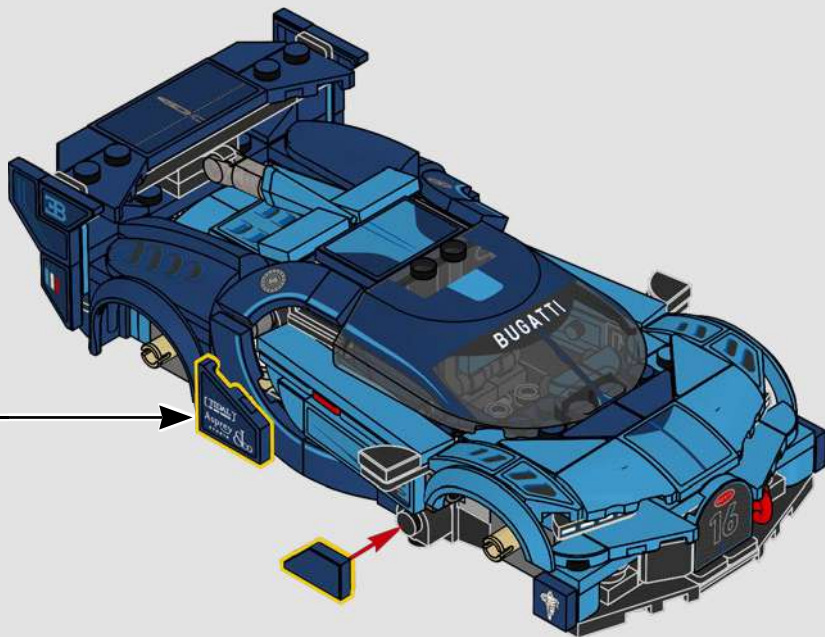
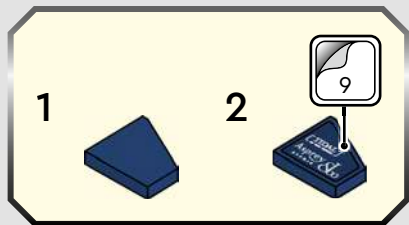


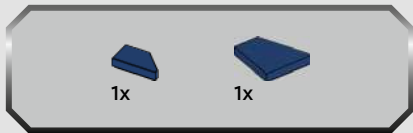
111



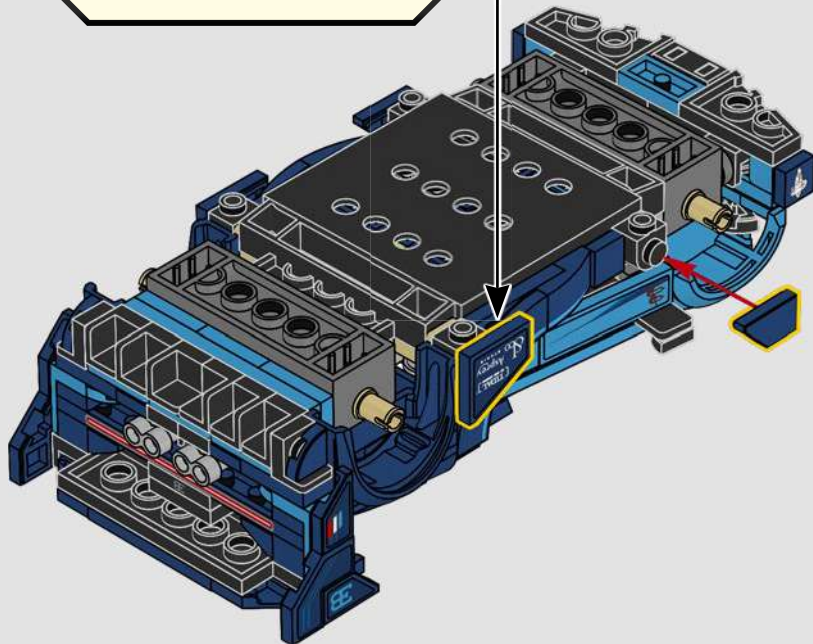
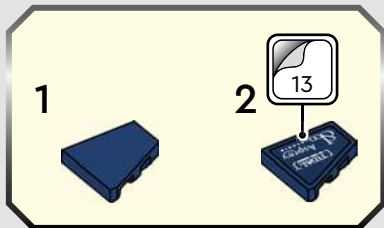


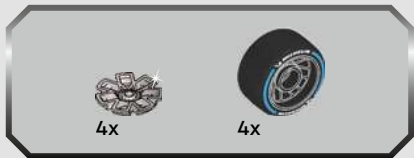
112



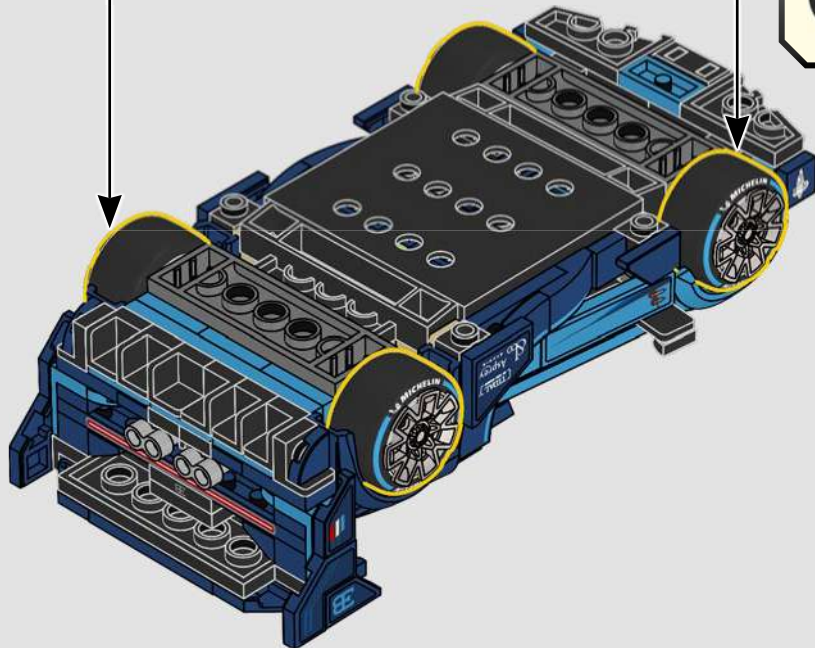


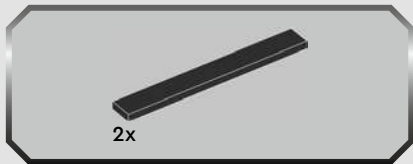
113



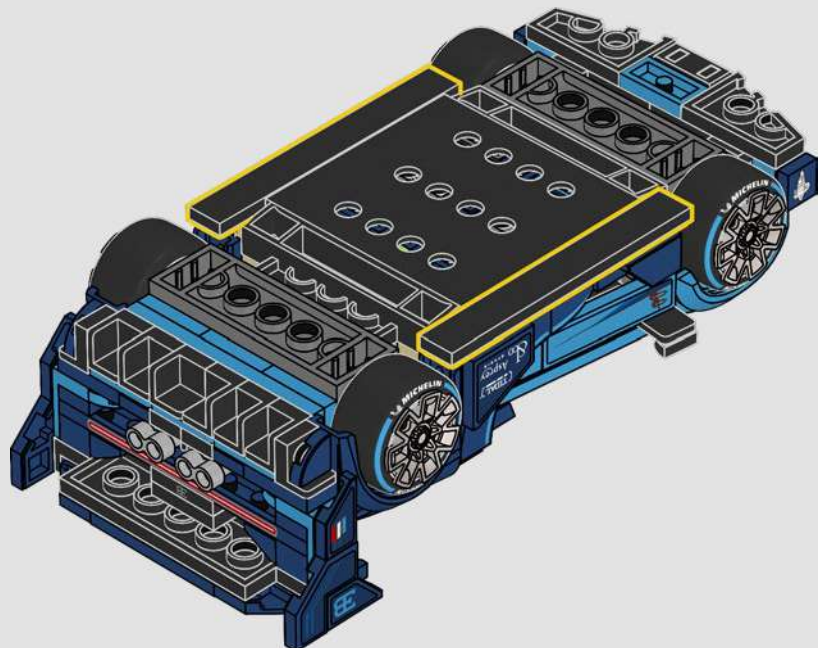


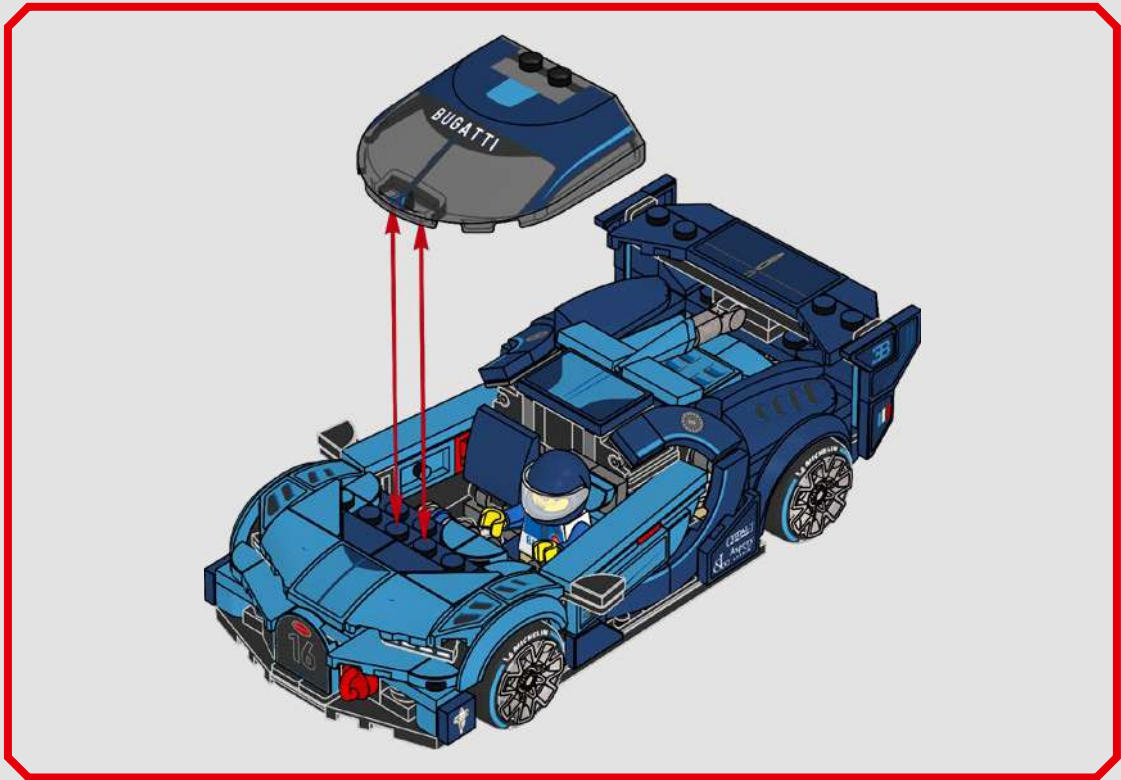
114

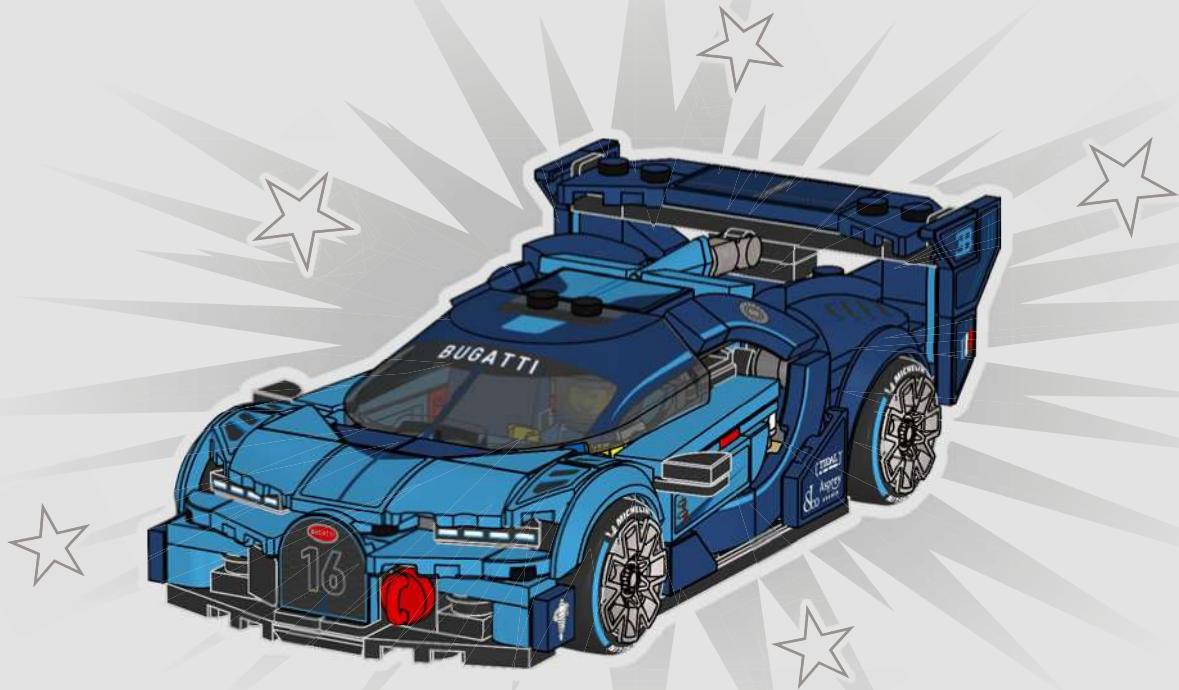




115









77256



77254



77252

APXGP



77255



77253

© Universal City Studios LLC and Amblin Entertainment, Inc. All Rights Reserved.

Produced under license of Ferrari S.p.A. The name FERRARI, the PRANCING HORSE device, all associated logos and distinctive designs, including the design of the Ferrari cars, are property of Ferrari S.p.A.





















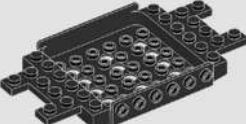










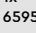






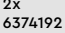
















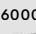




















APXGP is a trademark of Apple.

The F1 logo, FORMULA 1, F1, GRAND PRIX and related marks are trademarks of Formula One Licensing BV, a Formula 1 company. All rights reserved.

OFFICIAL LICENSEE OF FORMULA 1®

© Disney/Pixar

The Bugatti logo and Bugatti wordmark are trademarks of Bugatti International S.A. and are used under license. Vision GT logo is a registered trademark or trademark of Sony Interactive Entertainment Inc.

 2x 6446788	 2x 6378120	 4x 6424674	 1x 6275176	 1x 379526	 2x 4504374	 1x 4249891	 1x 6589633
 2x 6508268	 1x 4504379	 6x 4106347	 3x 4253815	 2x 416226	 2x 6585313	 4x 6484600	 1x 6585307
 2x 6450820	 2x 6249907	 2x 6335388	 3x 393726	 1x 6605193	 2x 6585312	 1x 6585354	 1x 6186974
 1x 6595559	 1x 6210269	 2x 6172383	 1x 6585305	 5x 6510146	 1x 6585353	 2x 4530028	
 1x 614123	 1x 614123	 1x 4504382	 1x 6313116	 1x 6528685	 1x 6573687	 1x 6585306	
 2x 6374192	 2x 6432005	 8x 6234695	 1x 6156991	 1x 6244787	 5x 6510132	 4x 4528482	
 4x 4666579	 2x 6168644	 2x 6335317	 2x 6000650	 1x 4220634	 1x 6224384	 2x 6166854	
 1x 4107623	 1x 6465547	 2x 6585311	 1x 4225201	 2x 6199890	 1x 6224385	 1x 6061569	
 2x 4114077	 1x 6469455	 1x 4180508	 4x 6593261	 5x 4631385	 1x 6573686	 1x 6589632	
 2x 6284574	 2x 6168646	 1x 4180536	 4x 6428167	 3x 6536141	 2x 4528981	 2x 6585352	
 1x 6589652	 2x 6439039					 1x 4569836	



2x
6468003



1x
4508313



1x
6585304



2x
6168647



2x
4211476



1x
6335328



2x
4550170



3x
6227897



1x
6281998



2x
6043656



2x
6168633



1x
4211428



3x
4211395



1x
4529755



2x
6344216



5x
6284596



4x
6344022



2x
6413106



3x
4211063



1x
6092572



3x
6176400



2x
6580726



2x
4521187



1x
4211085



2x
6454959



4x
6573690



1x
6167576



1x
6472255



2x
6223733



2x
6589635



16x
6199887



2x
6589636



2x
6453302



2x
6211418



1x
6589647



1x
6513911



1x
6503571



4x
6151659



5x
4653988



2x
6137300



3x
6439745



4x
6152110



1x
6585310



2x
6369497



1x
6589651



1x
6298471



1x
6589637



3x
6144149



1x
6535516



2x
6589634



2x
6205089



1x
6551376



1x
6551375



1x
6151657



2x
6164336



2x
6514350



1x
6501699



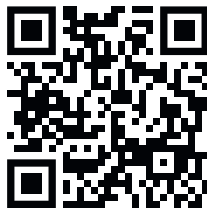
1x
6585308



LEGO.com/service



YOU COULD
WIN



Scan this QR code or go to
LEGO.COM/PRODUCTFEEDBACK and give us
your short feedback about this LEGO® set
for a chance to win a cool LEGO prize.

Terms and Conditions apply*

EN: YOU COULD WIN. Terms and Conditions apply* **DE: Du könntest GEWINNEN.** Es gelten die Teilnahmebedingungen* **FR: Tu pourrais GAGNER.** Des conditions s'appliquent* **IT: Potresti VINCERE tu.** Termini e condizioni sono applicabili* **ES: Puedes GANAR.** Aplican términos y condiciones* **PT: PODERÁ GANHAR.** Aplicam-se Termos e Condições* **ZH: 轻松获奖.** 条款和条件适用* **PL: Szansa na WYGRANĄ.** Obowiązuje regulamin* **CS: Máte šanci VYHRÁT.** Platí všeobecné smluvní podmínky* **SK: Máte šancu VYHRÁŤ.** Platia všeobecné zmluvné podmienky* **HU: TE IS NYERHETSZ.** Felhasználási feltételek érvényesek* **UA: ВИ МОЖЕТЕ ВИГРАТИ.** Застосовуються загальні положення та умови* **RO: Ai putea CÂȘTIGA.** Se aplică termeni și condiții* **BG: Можете да СПЕЧЕЛИТЕ.** Има определени правила и условия* **LV: Tu vari LAIMĒT.** Ir spēkā noteikumi un nosacījumi.* **ET: Sul on võimalus VÕITA.** Kehtivad tingimused* **LT: Jūs galite LAIMĖTI.** Taikomos sąlygos*

*[LEGO.com/productfeedback-terms](https://www.lego.com/productfeedback-terms)

LEGO and the LEGO logo are trademarks of the/son des marques de commerce du/son marcas registradas de LEGO Group. ©2026 The LEGO Group.

The Bugatti logo and Bugatti wordmark are trademarks of Bugatti International S.A. and are used under license.

Vision GT logo is a registered trademark or trademark of Sony Interactive Entertainment Inc.



6617270