



 **ASKO**

Inspired by Scandinavia

DESIGN GUIDE

REVISED 10/2017



Contents

- 3 Asko Dishwashers
- 4 Specifications
- 8 Custom Panel
- 9 Asko Washers | Dryers
- 11 Specifications
- 19 Warranty

Features and specifications are subject to change at any time without notice. Visit askona.com/specs for the most up-to-date information.

IMPORTANT NOTE: Throughout this guide, dimensions may vary by $\pm 1/8"$ (3). Dimensions in parentheses are millimeters unless otherwise specified.

Asko Dishwashers

At Asko, we design and manufacture premium quality dishwashers with a special Scandinavian touch for design and function. Panel ready models accept a custom panel and handle. Tubular and pro handle models match Sub-Zero and Wolf products. Our products meet the highest demands in performance and durability, as well as environmental awareness.

DISHWASHER MODELS

INTEGRATED HANDLE



DBI663IS
DBI663ISSOF



DBI664IXXLS
DBI664IXXLSSOF



DBI675IXXLS

TUBULAR HANDLE



DBI663THS

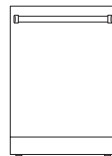


DBI664THXXLS

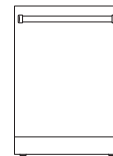


DBI675THXXLS

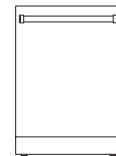
PRO HANDLE



DBI663PHS



DBI664PHXXLS

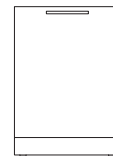


DBI675PHXXLS

PANEL READY



DFI663
DFI663XXL



DFI664
DFI664XXL
DFI664XXLSOF



DFI675XXL

OUTDOOR



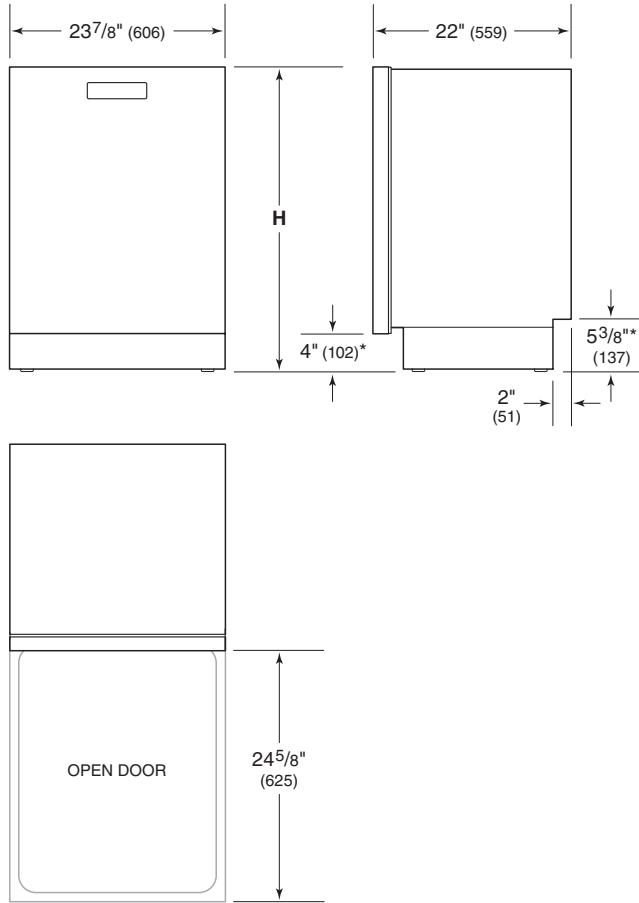
DOD651PHXXLS



D5956OUTDOORPH

Overall Dimensions

INTEGRATED HANDLE



*Dimension will vary with product height.

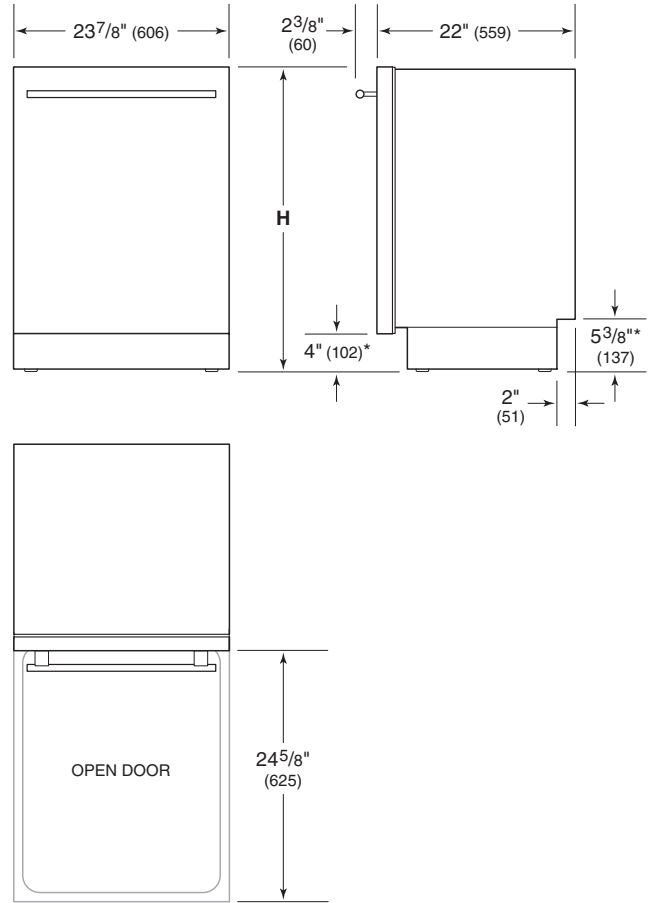
HEIGHT

H

Non-XXL Model	32 ³ / ₄ " (832)* – 34 ³ / ₄ " (883)
XXL Model	34" (864) – 35 ³ / ₄ " (908)

*Can be reduced to 32¹/₄" (819) by removing top trim and lowering side trim.

TUBULAR | PRO HANDLE



*Dimension will vary with product height.

HEIGHT

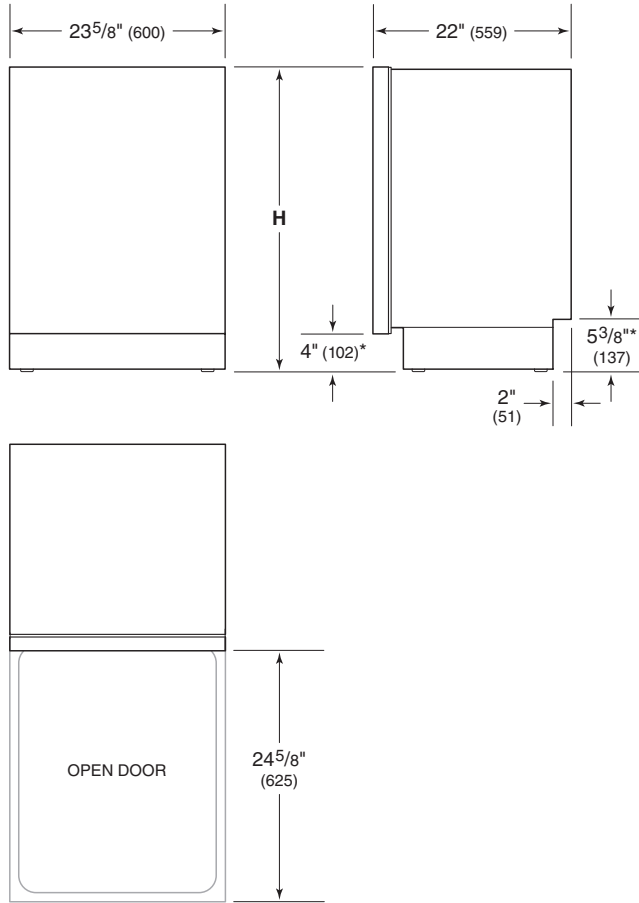
H

Non-XXL Model	32 ³ / ₄ " (832)* – 34 ³ / ₄ " (883)
XXL Model	34" (864) – 35 ³ / ₄ " (908)

*Can be reduced to 32¹/₄" (819) by removing top trim and lowering side trim.

Overall Dimensions

PANEL READY



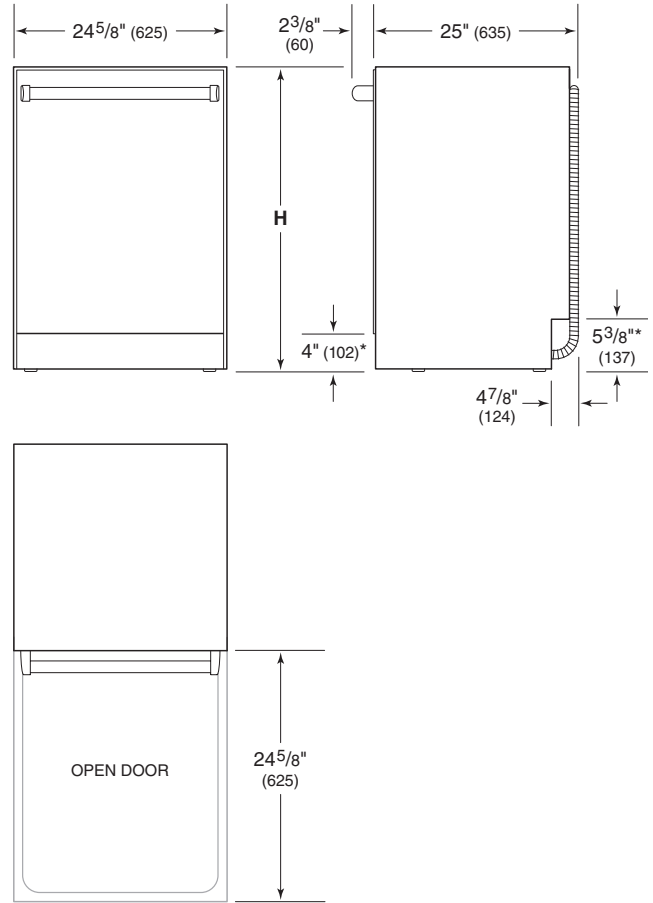
*Dimension will vary with product height.

HEIGHT	H
Non-XXL Model	32 ³ / ₄ " (832)* – 34 ³ / ₄ " (883)
XXL Model	34" (864) – 35 ³ / ₄ " (908)

*Can be reduced to 32¹/₄" (819).

IMPORTANT NOTE: Overall dimensions for panel ready models do not include panels or handles. Dimensions will vary with panel thickness.

OUTDOOR

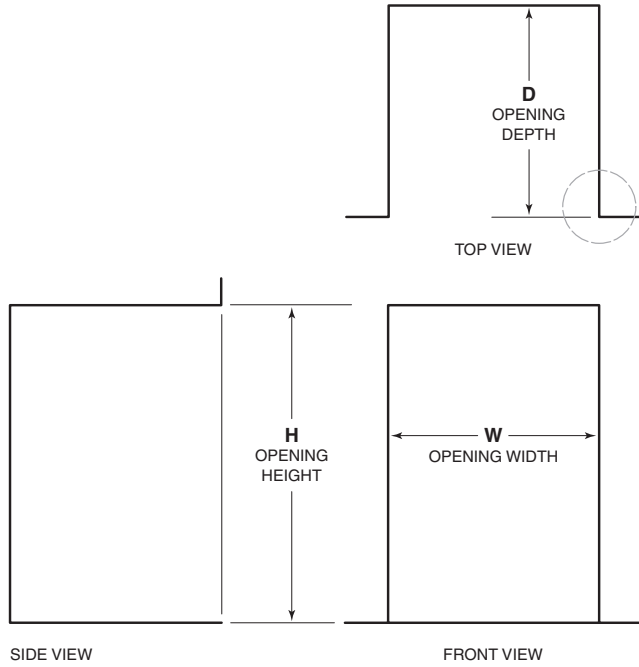


*Dimension will vary with product height.

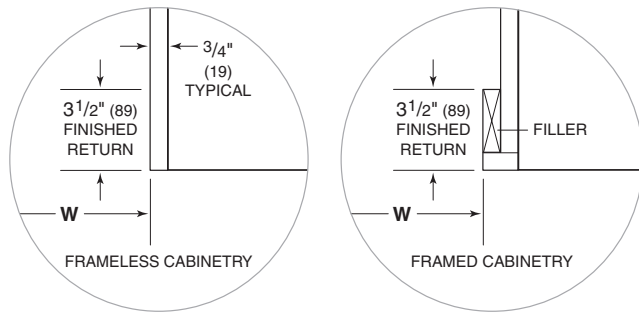
HEIGHT	H
Outdoor Model	35" (889) – 35 ³ / ₄ " (908)

Opening Dimensions

DISHWASHERS



NOTE: 3 1/2" (89) finished returns will be visible and should be finished to match cabinetry.



IMPORTANT NOTE: All indoor models can accommodate varying opening widths, however, 24" (610) and 23 5/8" (60 cm) are the two most common. A 23 5/8" (60 cm) opening will provide minimum reveals.

OPENING	W	H	D
Indoor Model	23 5/8" (600)	34 1/2" (876)	24" (610)
Outdoor Model	24 7/8" (632)	35 1/2" (902)	25 1/4" (641)

A minimum 3 1/2" (89) finished return is required on all sides of the opening. Framed cabinets will require additional finished filler material behind the face frame for a proper installation. Refer to the illustration.

Indoor models include top and side trim to accommodate varying opening dimensions. Top and side trim can be removed to achieve minimum reveals.

For ADA installations and height restricted openings, all indoor, non-XXL models can be installed in a 32 1/4" (819) opening by removing top trim and lowering side trim.

Electrical

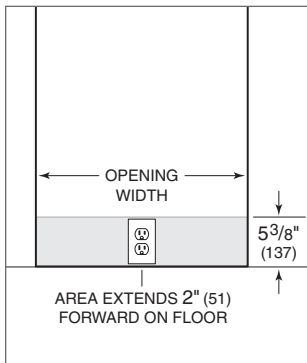
The electrical supply should be located in an adjacent cabinet. If the supply cannot be located in an adjacent cabinet, it must be located within the shaded area shown in the illustration below. A separate circuit, servicing only this appliance is required.

IMPORTANT NOTE: For the outdoor model, a ground fault circuit interrupter (GFCI) is required to reduce the risk of electrical shock. A GFCI is not recommended for use with other models and may cause interruption of operation.

Installation must comply with all applicable electrical codes.

ELECTRICAL REQUIREMENTS

Electrical Supply	115 VAC, 60 Hz
Service	15 amp dedicated circuit
Receptacle	3-prong grounding-type



Electrical supply location.

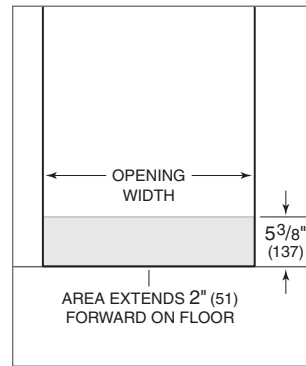
Plumbing

The water supply and drain should be located in an adjacent cabinet. If they cannot be located in an adjacent cabinet, they must be located within the shaded area shown in the illustration below. The water supply line should be connected to a hot or cold house supply with an easily accessible shut-off valve between the supply and the unit.

Installation must comply with all applicable plumbing codes.

PLUMBING REQUIREMENTS

Water Connection	6' (1.8 m) PEX tubing with 3/8" NPT female connection
Pressure	4.2–140 psi (.3–9.7 bar)



Water supply and drain location.

Custom Panel

PANEL READY

IMPORTANT NOTE: The size of the custom door panel is directly related to the size of the opening.

The two most common dishwasher opening widths are 24" (610) and 23⁵/₈" (60 cm). For all other widths, the panel should be 1/4" (6) less than the opening to achieve minimum reveals. The minimum panel width is 23³/₈" (594).

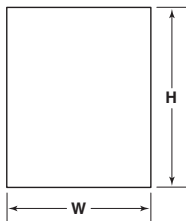
The most common dishwasher opening height is 34¹/₂" (876). The panel dimensions in the chart below are based on a 34¹/₂" (876) opening, with a 4" (102) toe kick and 3/8" (10) top reveal. For all other opening and toe kick heights, the panel must be adjusted accordingly. The minimum panel height is 28" (711). The minimum toe kick height is 4" (102).

Finish all sides of the custom panel. They may be visible when the door is open.

PANEL DIMENSIONS	W	H
23 ⁵ / ₈ " (60 cm) Opening	23 ³ / ₈ " (594)	30 ¹ / ₈ " (765)
24" (610) Opening	23 ³ / ₄ " (603)	30 ¹ / ₈ " (765)

PANEL REQUIREMENTS

Max Weight (including handle)	20 lb (9 kg)
Min Thickness	3/4" (19)



Panel dimensions.

ADA CUSTOM PANEL HEIGHT

The American with Disabilities Act limits the countertop height to 34" (864). Differing countertop thickness will affect the overall panel height.

Typical panel dimensions are based on a 32¹/₂" (826) opening height with a 4" (102) toe kick and 3/8" (10) top reveal. The panel height cannot be less than 28" (711). Refer to the chart below for typical panel dimensions.

PANEL DIMENSIONS (ADA)	W	H
23 ⁵ / ₈ " (60 cm) Opening	23 ³ / ₈ " (594)	28 ¹ / ₈ " (714)
24" (610) Opening	23 ³ / ₄ " (603)	28 ¹ / ₈ " (714)

PANEL REQUIREMENTS

Max Weight (including handle)	20 lb (9 kg)
Min Thickness	3/4" (19)



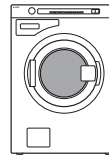
Asko Washers | Dryers

Asko's range of washers and dryers reflect 60 years of Swedish ingenuity and continuous innovation, designed to balance performance and durability with environmental considerations. They provide the best possible washing and drying results, handling your clothes with care. No matter what life throws at you, Asko has the perfect UltraCare system to make short work of your laundry. From the high-efficiency family size to the supersized XL washers and dryers, Asko has the right laundry system for any family, large or small.

WASHER MODELS



W6424W
W6424T



W8844XLW

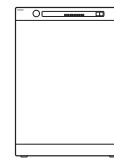
DRYER MODELS



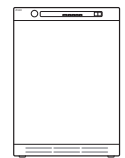
T754W
T754T



T754CW



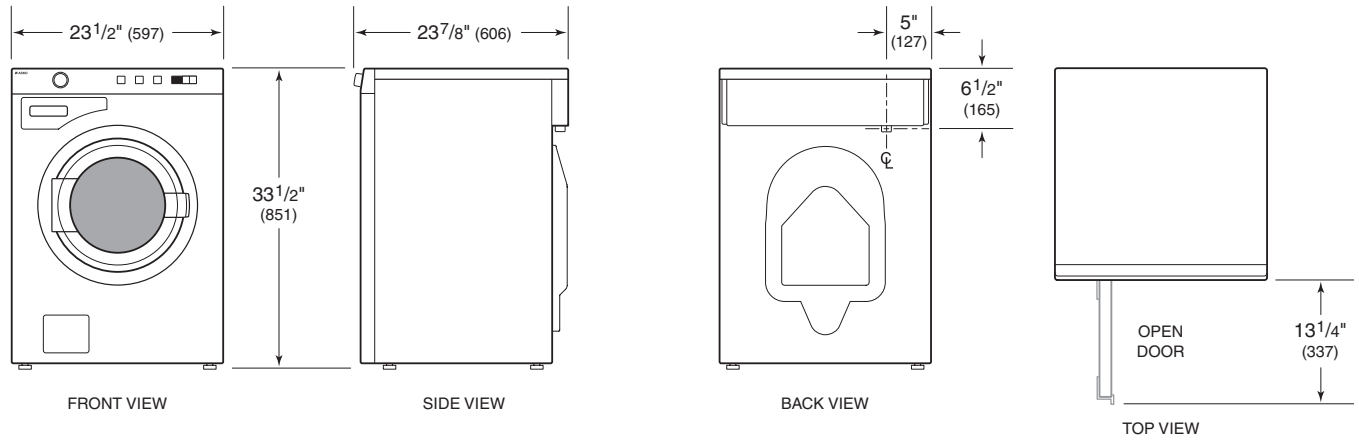
T884XLW



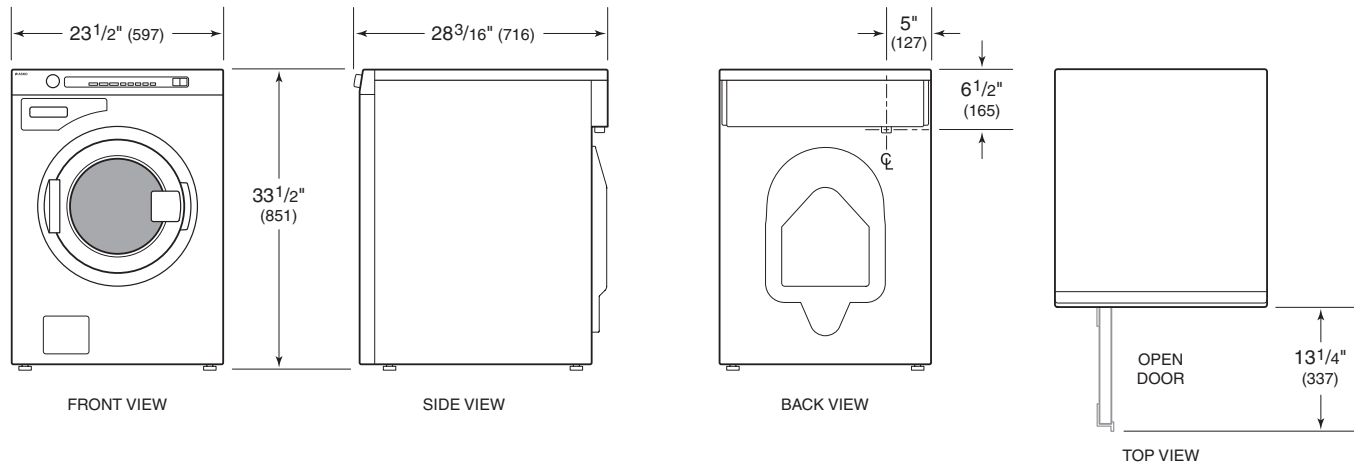
T884XLHPW

Overall Dimensions

WASHERS



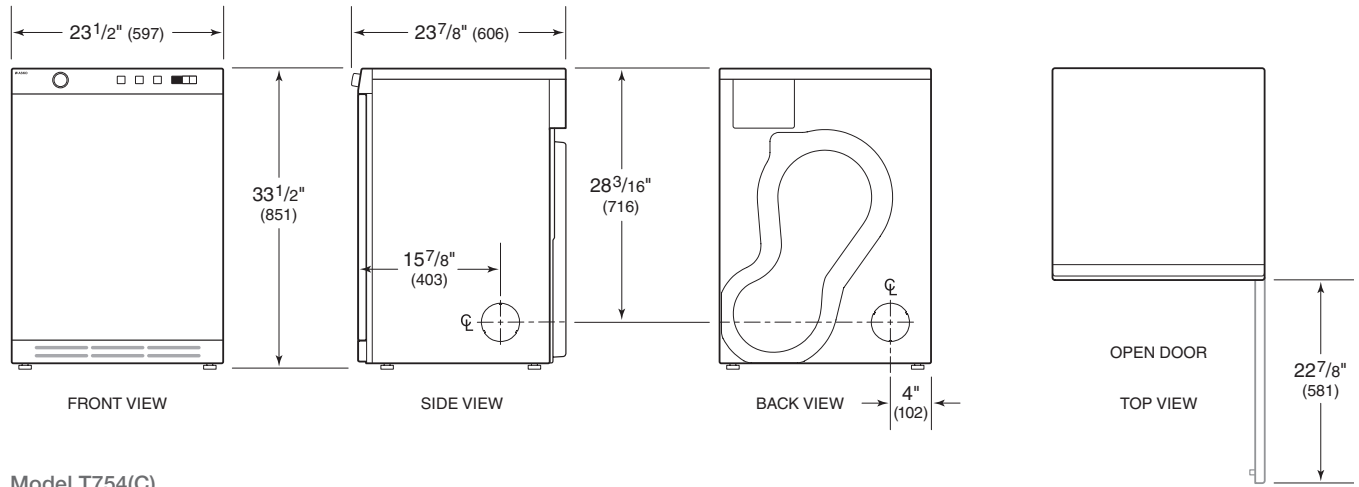
Model W6424.



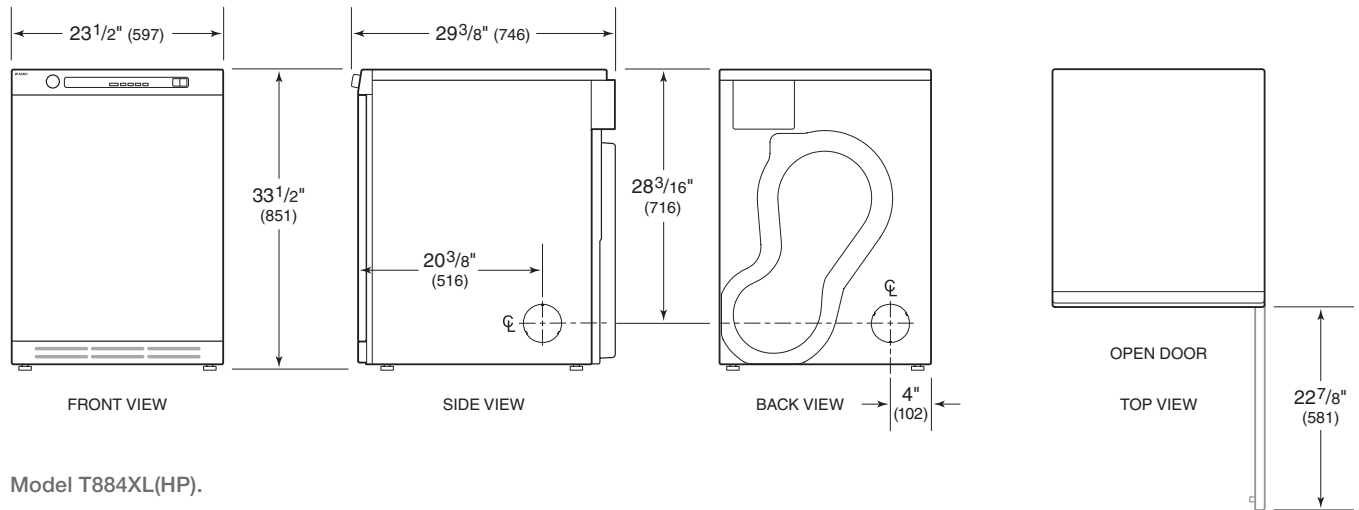
Model W8844XL.

Overall Dimensions

DRYERS



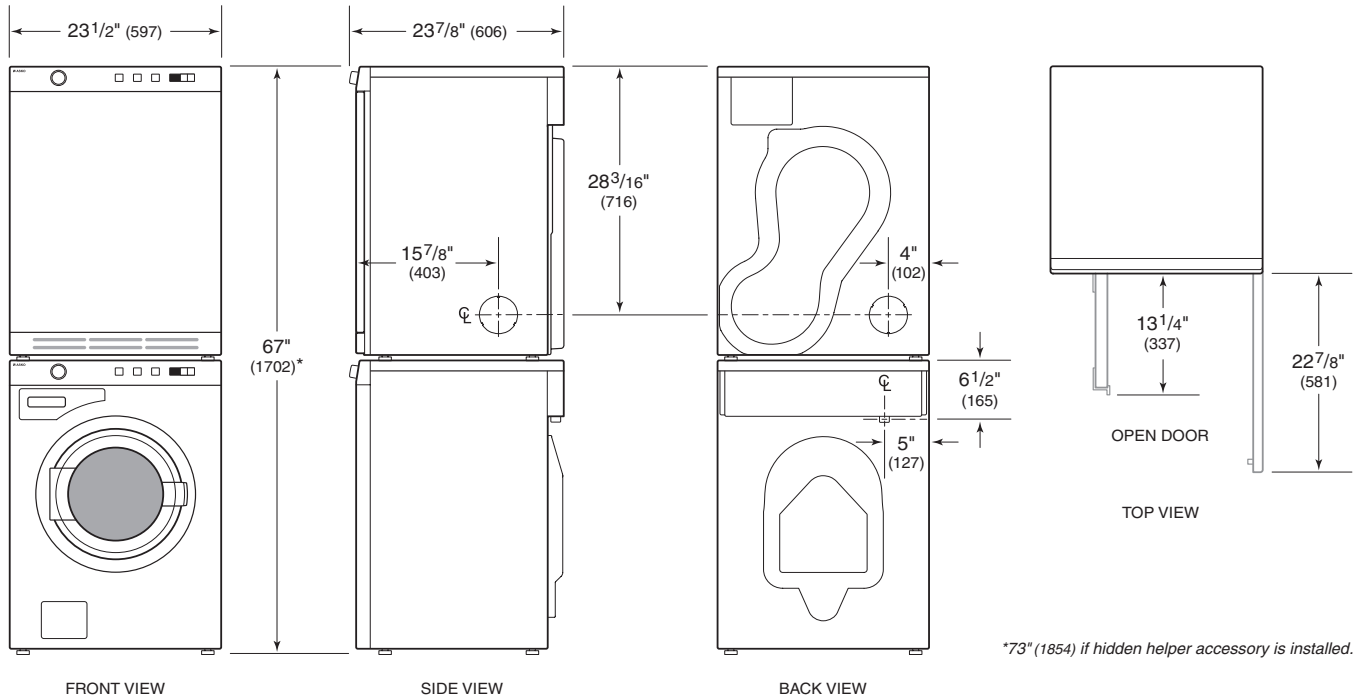
Model T754(C).



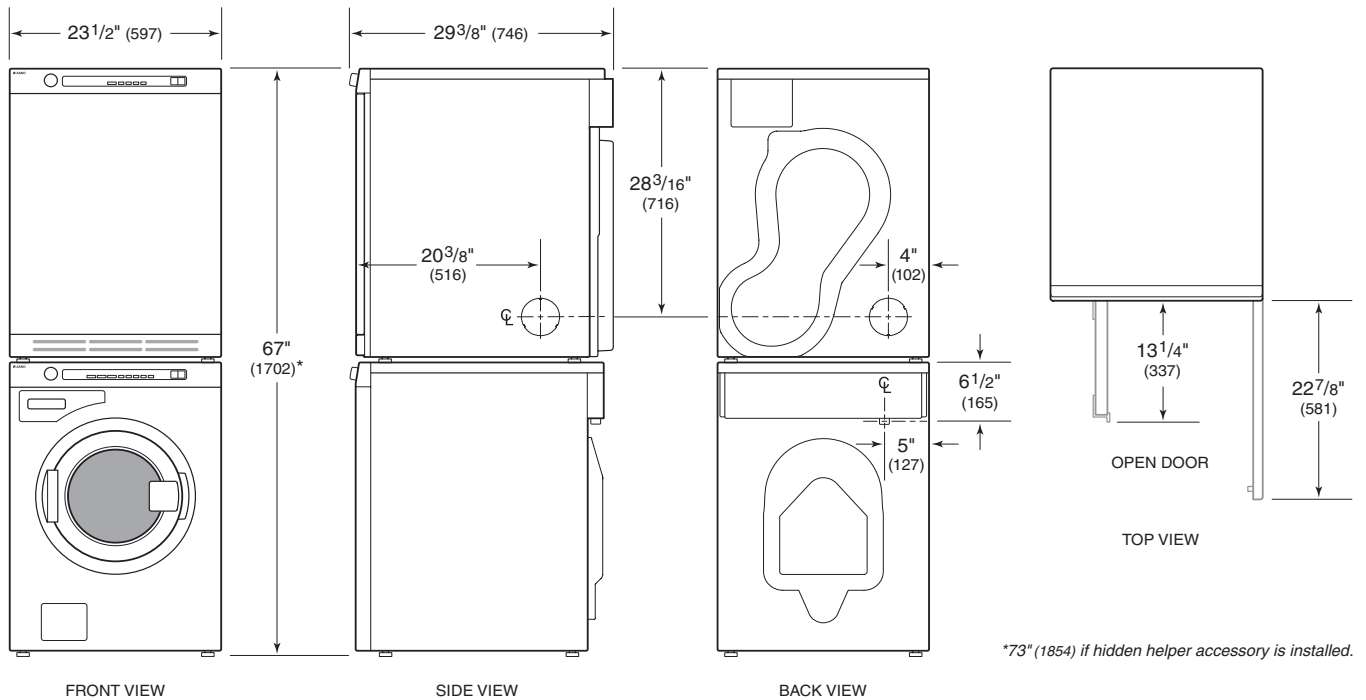
Model T884XL(HP).

Overall Dimensions

STACKED



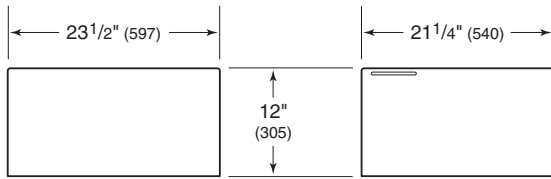
Model W6424 | T754(C).



Model W8844XL | T884XL(HP).

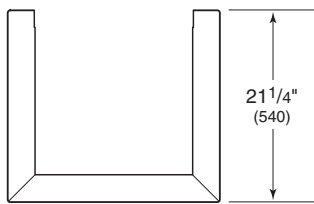
Overall Dimensions

PLATFORM



FRONT VIEW

SIDE VIEW

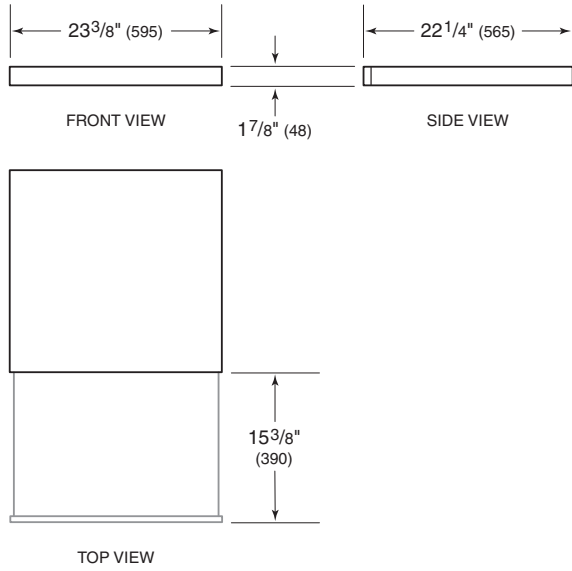


TOP VIEW

Washer | dryer platform.

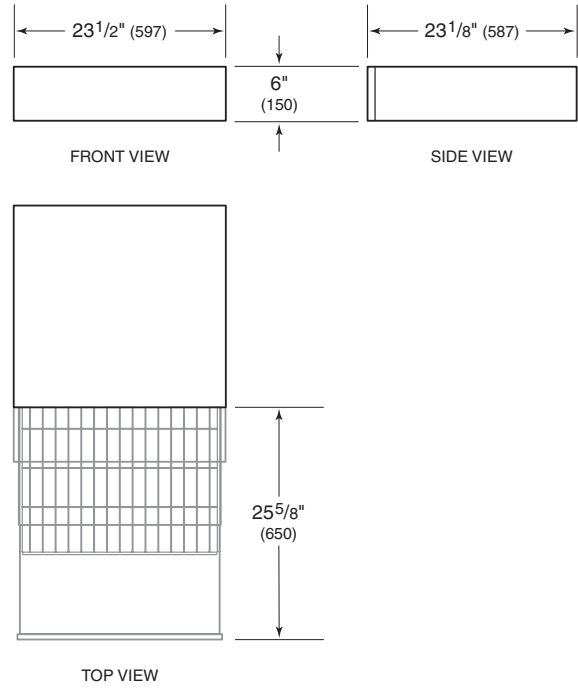
Hidden Helpers

SINGLE SHELF



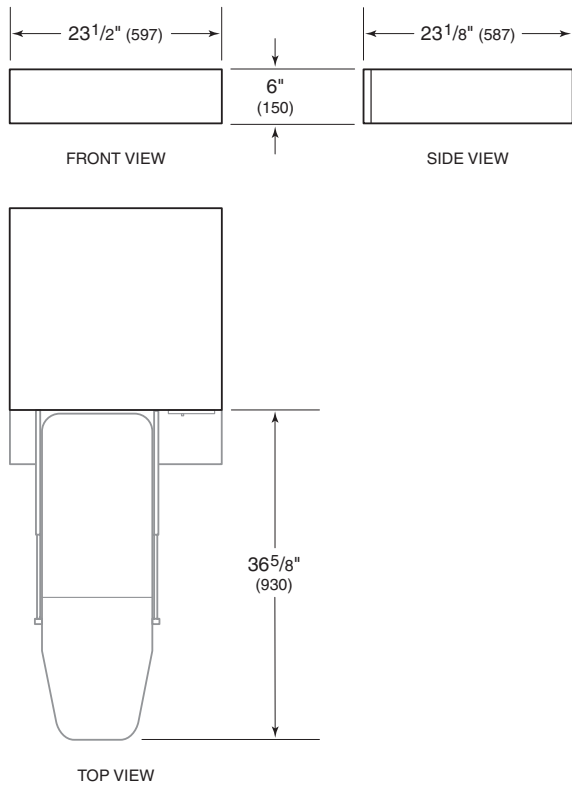
Model HSS1052W | HSS105T.

DOUBLE SHELF



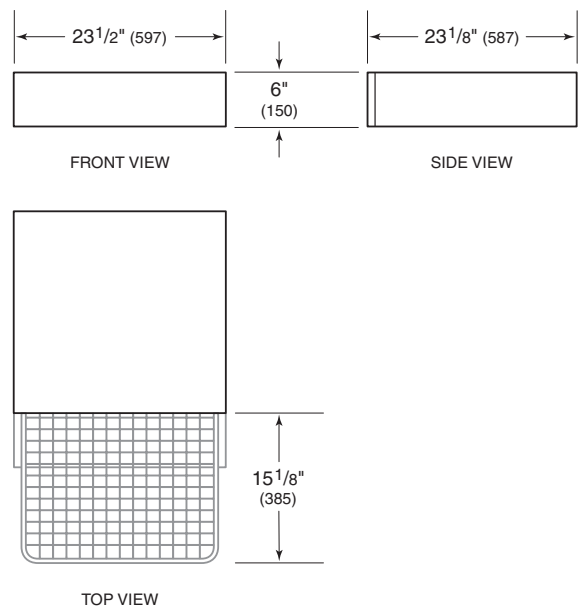
Model HDB1152W | HDB115T.

IRONING BOARD



Model HI1152W | HI115T.

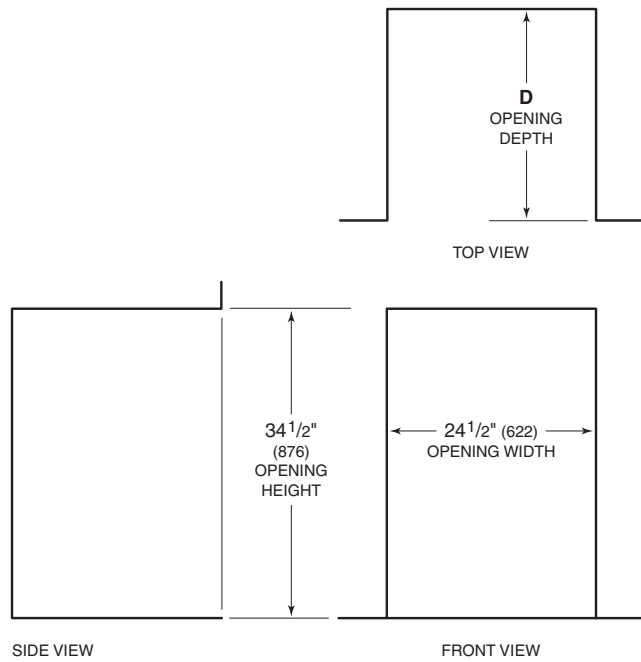
PULL-OUT BASKET



Model HB1152W.

Built In Opening

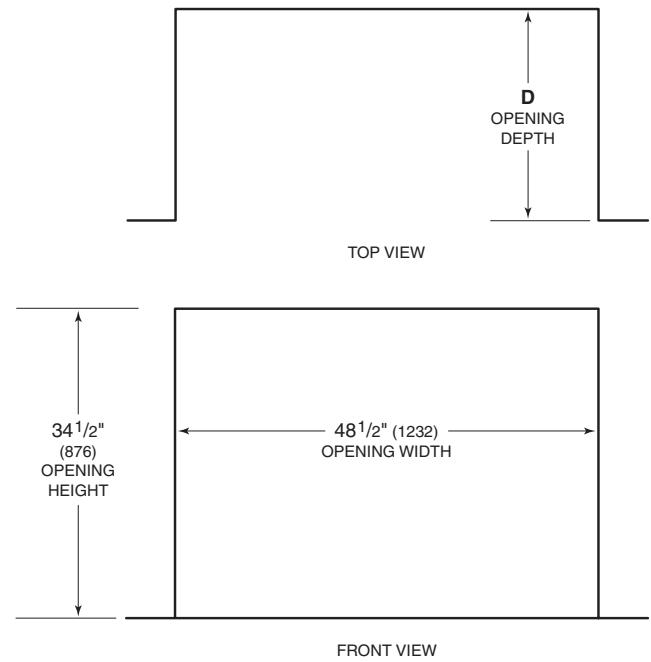
SINGLE INSTALLATION



NOTE: Dimensions provide minimum reveals.

OPENING DEPTH	D
W6424	24 ³ / ₈ " (619)
W8844XL	29 ⁷ / ₈ " (759)
T754(C)	23 ⁷ / ₈ " (606)
T884XL(HP)	29 ³ / ₈ " (746)

SIDE BY SIDE INSTALLATION

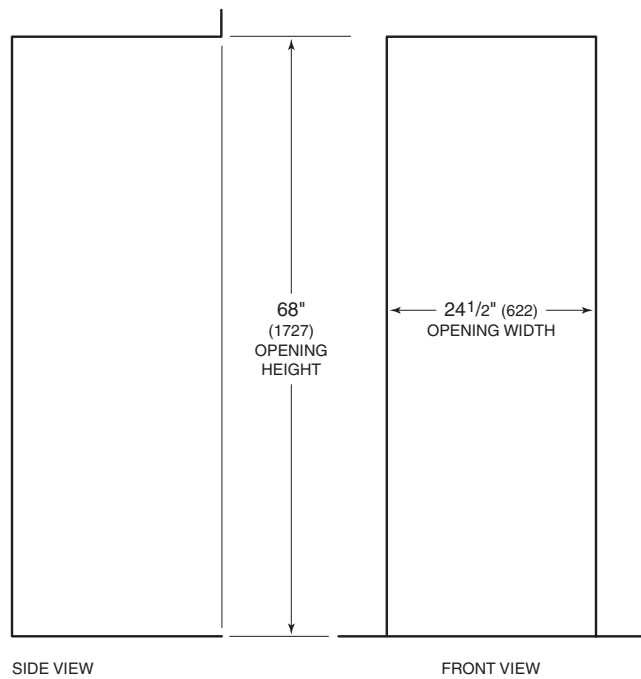
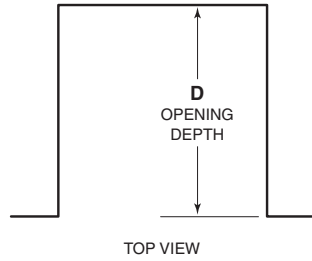


NOTE: Dimensions provide minimum reveals.

OPENING DEPTH	D
W6424 and T754(C)	24 ³ / ₈ " (619)
W8844XL and T884XL(HP)	29 ⁷ / ₈ " (759)

Built In Opening

STACKED INSTALLATION



NOTE: Dimensions provide minimum reveals.

Planning Information

If a washer or dryer is installed in a closet or an enclosure with a door, the door must be vented, louvered or left open during operation. Insufficient ventilation will significantly reduce performance.

OPENING DEPTH	D
W6424 and T754(C)	24 ³ / ₈ " (619)
W8844XL and T884XL(HP)	29 ⁷ / ₈ " (759)

Electrical

A separate electrical service is not required for the washer. The receptacle for the washer is located on the back of the dryer.

If the washer is being installed separate from the dryer, refer to the electrical requirements below. The electrical location must be placed within reach of the power cord.

Installation must comply with all applicable electrical codes.

ELECTRICAL REQUIREMENTS

WASHER

Electrical Supply Service	grounded, 220 VAC, 60 Hz 15 amp
Receptacle	NEMA 6-20R grounding-type
Power Cord	6' (1.8 m)

DRYER

Electrical Supply Service	grounded, 240/208 VAC, 60 Hz 30 amp
---------------------------	--

Plumbing

Installation must comply with all applicable plumbing codes.

PLUMBING REQUIREMENTS

Water Connection	1/2" ID min (cold only)
Pressure	15-146 psi (1-10 bar)

Asko Residential Limited Warranty

RESIDENTIAL APPLIANCES

ASKO Distribution North America, LLC. ("ASKO") warrants to the original purchaser (the "ASKO Customer") of the ASKO product (the "ASKO Product"), who purchased the ASKO Product from a distributor, dealer, manufacturer's representative or other seller who has been authorized by ASKO, that this ASKO Product is free of defects in materials and/or workmanship, subject to the terms and conditions set forth herein. This Limited Warranty covers parts and labor, except as set forth in this Limited Warranty. Service must be provided by an authorized ASKO service company. YOUR SOLE AND EXCLUSIVE REMEDY UNDER THIS LIMITED WARRANTY SHALL BE PRODUCT REPAIR AS PROVIDED HEREIN. This Limited Warranty is valid only when the ASKO Product is used in the country in which it was purchased. Proof of original purchase date is required to obtain service under this Limited Warranty.

Residential ASKO Products Used Exclusively for Household/Personal Purposes:

Two (2) Years Limited Warranty—Any warranty service claims for residential ASKO Products must be filed with ASKO within two (2) years from date of purchase. Service will be provided during normal business hours.

Residential ASKO Products Not Used Exclusively for Household/Personal Purposes or used Commercially or used in Marine, Mobile or Aeronautical Applications:

One (1) Year Limited Warranty—Any warranty service claims for ASKO Products not used exclusively for household and personal use, or used commercially or used in marine, mobile, or aeronautical applications must be filed with ASKO within one (1) year from date of purchase. Service will be provided during normal business hours.

ITEMS EXCLUDED FROM WARRANTY

This Limited Warranty does not cover:

- 1) Replacement parts or repair labor if the ASKO Product is used in a manner that is inconsistent with published user or operator instructions and/or installation instructions.
- 2) Service calls to correct the installation of the ASKO Product, to instruct you on how to use the ASKO Product, to replace or repair house fuses, or to correct house wiring or plumbing.
- 3) Consumable items and parts, such as filters.
- 4) Damage resulting from accident, alteration, misuse, abuse, negligence, fire, flood, acts of God, improper use, improper installation, installation not in accordance with electrical or plumbing codes, or use of products not approved by ASKO, as well as any attempted repair by other than authorized ASKO service companies.
- 5) Cosmetic damage, including scratches, dents, chips or other damage to the finish of the ASKO Product, unless such damage results from defects in materials or workmanship and is reported to ASKO within 5 days from date of purchase.
- 6) Pickup and delivery. The ASKO Product is intended to be repaired in your home.
- 7) Repairs to parts or systems resulting from unauthorized modifications made to the ASKO Product.
- 8) Expenses for travel and transportation for product service if the ASKO Product is located in a remote area where service by an authorized ASKO service company is not available.
- 9) The removal and reinstallation of the ASKO Product if it is installed in an inaccessible location or is not installed in accordance with ASKO's published installation instructions.
- 10) Replacement parts or repair labor on ASKO Products with original model/serial numbers that have been removed, altered or cannot be easily determined.

DISCLAIMER

YOUR SOLE AND EXCLUSIVE REMEDY UNDER THIS LIMITED WARRANTY SHALL BE PRODUCT REPAIR AS PROVIDED HEREIN. EXPRESSLY DISCLAIMED ARE ALL OTHER EXPRESS AND IMPLIED WARRANTIES, INCLUDING ANY IMPLIED WARRANTIES OF MERCHANTABILITY AND FITNESS FOR A PARTICULAR PURPOSE. Some jurisdictions do not allow exclusion or limitations regarding warranty rights. This Limited Warranty gives you specific legal rights and you may have other rights that vary from jurisdiction to jurisdiction. Attempted repair by any person other than an authorized ASKO service company will void this Limited Warranty.

LIMITATION OF LIABILITY

IN NO EVENT SHALL ASKO OR THE MANUFACTURER AND THEIR RESPECTIVE PARENTS, SUBSIDIARIES AND AFFILIATES BE LIABLE FOR CONSEQUENTIAL, INCIDENTAL, EXEMPLARY, PUNITIVE OR SPECIAL DAMAGES. IN NO EVENT SHALL ASKO OR THE MANUFACTURER AND THEIR RESPECTIVE PARENTS, SUBSIDIARIES AND AFFILIATES BE LIABLE FOR DAMAGES OTHER THAN ACTUAL DAMAGES AND IN NO EVENT FOR DAMAGES IN EXCESS OF THE PRICE PAID FOR THE ASKO PRODUCT AS TO WHICH A CLAIM IS MADE. Some jurisdictions do not allow the exclusion or limitation of incidental, consequential or other damages, so these limitations and exclusions may not apply to you. This Limited Warranty gives you specific legal rights. You also may have other rights that vary from jurisdiction to jurisdiction.

TROUBLESHOOTING AND ASKO CUSTOMER CARE

If you think you need repair service, first see the "Troubleshooting" section of the Use & Care Guide. If you are unable to resolve the problem after checking "Troubleshooting," then additional help can be obtained by calling ASKO Customer Care at 1-800-898-1879. Read the "Troubleshooting" chapter before contacting the Customer Care Center. Make a note of the details on the rating plate positioned on the right inside the dishwasher. Make a note of the (1) service number, (2) item number and (3) serial number.

SERVICE AFTER EXPIRATION OF LIMITED WARRANTY

For information about obtaining parts and labor after expiration of this Limited Warranty or arising outside the scope of this Limited Warranty, please contact ASKO Customer Care at 1-800-898-1879. After your purchase and prior to first use of the ASKO Product, register your ASKO Product with ASKO by utilizing the address information below. Should you need further assistance as well, contact us at the address information below:

ASKO Distribution North America, LLC Customer Care Center PO Box 44848 MADISON WI 53744 1-800-898-1879 www.askona.com





 **ASKO**

Inspired by Scandinavia

ASKONA.COM