

PureLine
30" Convection Oven

H 6680 BP



PureLine 30" Convection Oven H 6680 BP



H 6680 BP

Features:

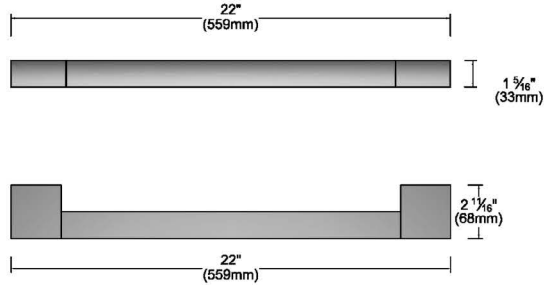
- SensorTronic controls: 5-line TFT display with laterally positioned sensor controls that clearly present menu content
- Self Clean Oven
- 18 Operating Modes
- Rapid PreHeat
- MasterChef menu offers over 100 food types to cook to perfection
- Roast Probe for perfect roasting results
- Favorites — up to 20 recipes
- Sabbath Program
- CleanGlass Door
- Timer
- TwinPower Fans provide optimum and even distribution of hot air
- Soft Open and Soft Close for an easier handling
- The simple yet sleek Silhouette handle seems to float enhancing its modern design lines

PureLine 30" Convection Oven H 6680 BP

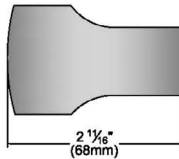


Comfort Handle:
Standard with ContourLine
(DS 6708 Item #09828380)

ComfortSwivel Handle:
Optional for ContourLine
Optional for PureLine
(DS 6718 Item # 09828390)

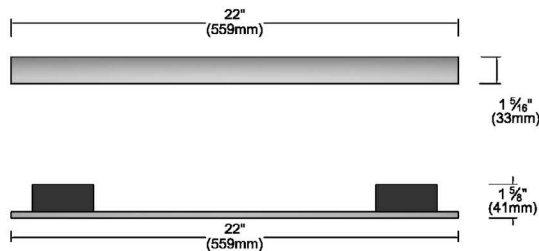


Comfort Handle
standard on
H 6180 BP

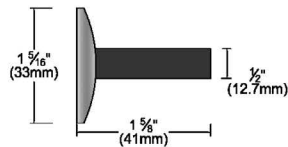


ComfortSwivel Handle
standard on
H 6580 BP

Silhouette Handle:
Standard with Pureline
Optional for Contourline
(DS 6808 Item # 09828400)



Silhouette Handle
standard on
H 6280 BP and
H 6680 BP



Silhouette Handle (Chrome):
Standard with BrilliantWhite
(DS 6808 Item # 09828410)



Silhouette Handle:
Standard with Truffle Brown
(DS 6808 Item # 09870690)

PureLine 30" Convection Oven H 6680 BP



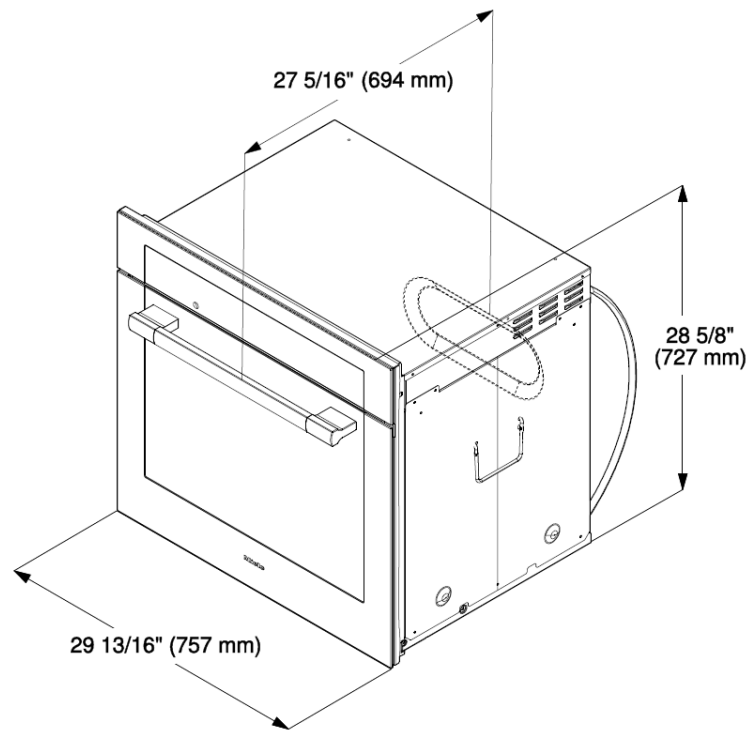
SPECIFICATIONS	
H 6680 BP – Item 22668053USA	
Overall Unit Width - Excluding Fascia Dimension	28 ⁷ / ₁₆ " (722mm)
Overall Height - Excluding Fascia Dimension	27 ³ / ₄ " (705mm)
Overall Unit Depth - Excluding Fascia Dimensions	23 ³ / ₄ " (603mm)
Oven Door Clearance	23" (584mm)
Overall Fascia Dimensions	29 ¹³ / ₁₆ " (757mm) W x 28 ⁵ / ₈ " (727mm) H x 7 ⁷ / ₈ " (23mm) D
Built-In	
Minimum Cabinet Width	28 ¹ / ₂ " (724mm)
Minimum Cabinet Depth	24" (610mm)
Minimum Cabinet Opening Height	28 ¹ / ₄ " (718mm)
Minimum Base Support	193 lbs
Additional Cut-outs Required	Venting cut-out required at base of cabinet (4" x 28" / 100mm x 720mm) in the bottom of the cabinet for power cord and ventilation
Electrical	
Electrical Requirements	208/240V 30A 60Hz circuit
Power Cord	Yes - NEMA 14-30 plug
Electrical Rating	120/208V, 30A, 60Hz, 5000w 120/240V, 30A, 60Hz, 6700w
Total Amps	240V / 28A / 208V / 24A
Shipping	
Shipping Weight	216 lbs
Shipping Dimensions	32 ¹¹ / ₁₆ " W x 35 ¹ / ₁₆ " H x 30 ⁵ / ₁₆ " L
Support	
Call	800.843.7231
20/20	©2020technologies.com

PureLine 30" Convection Oven H 6680 BP

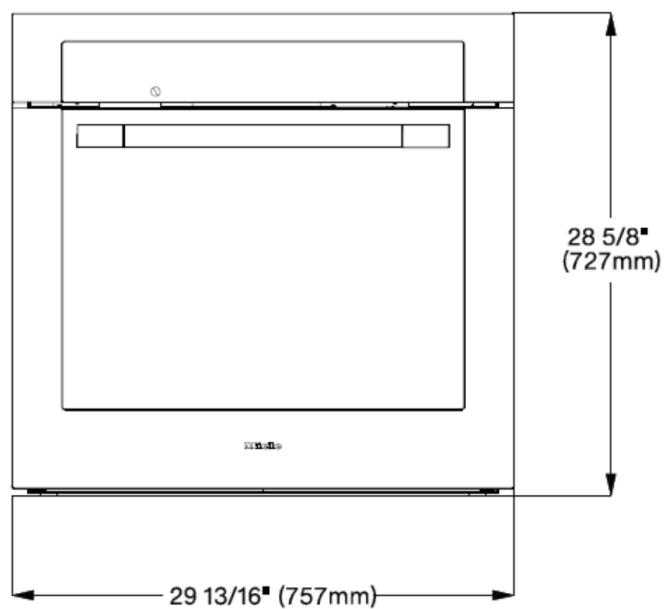


PRODUCT VIEWS

Isometric

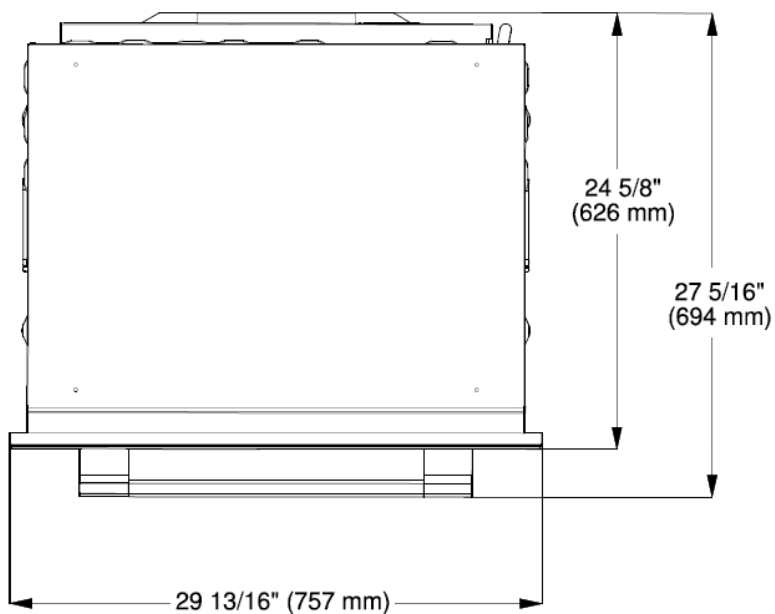


Front

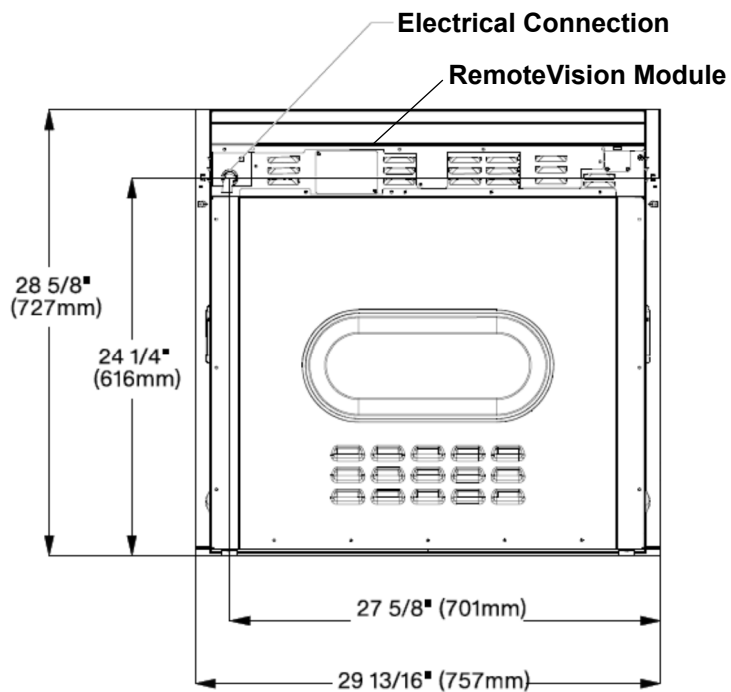


PRODUCT VIEWS

Top View



Rear View

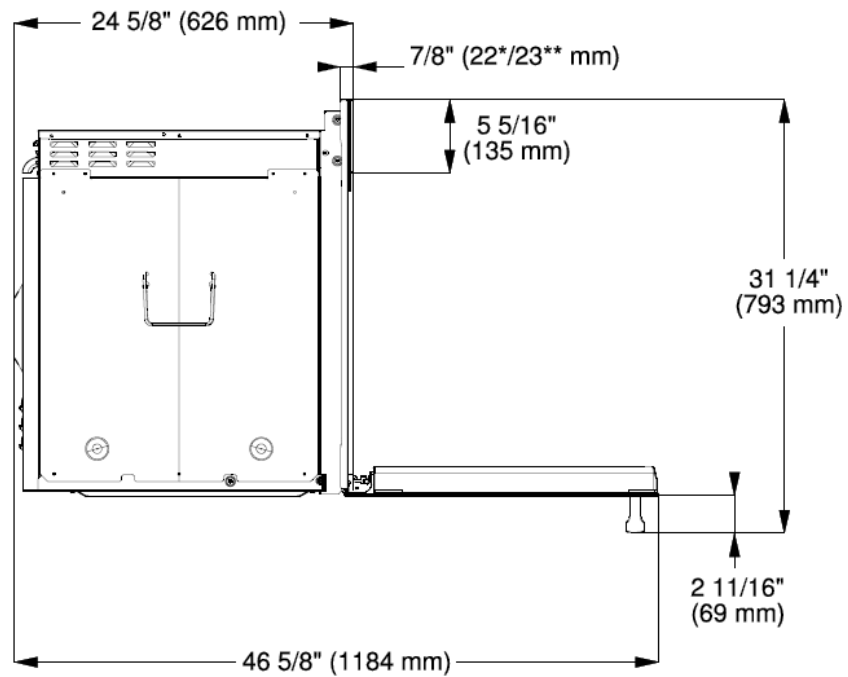


PureLine 30" Convection Oven H 6680 BP



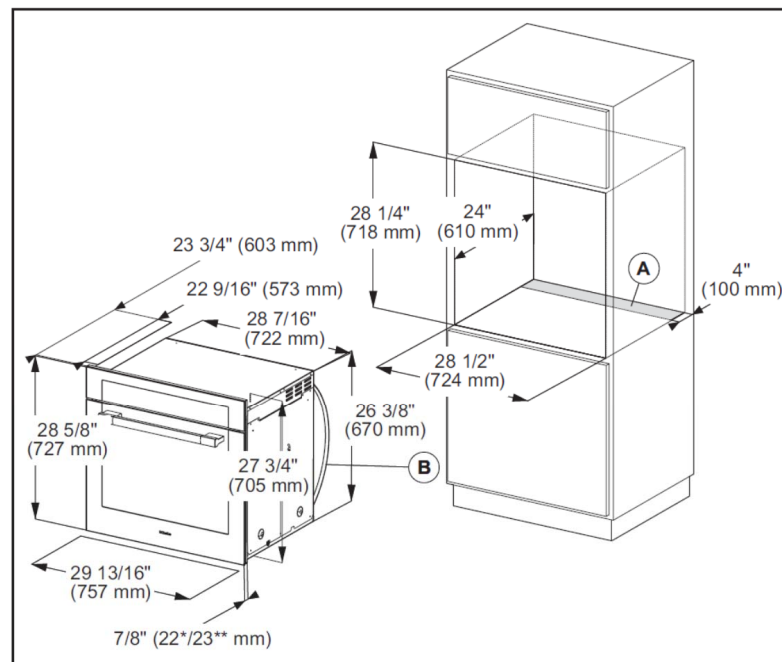
PRODUCT VIEWS

Side View



INSTALLATION SPECIFICATIONS

Install in Tall Cabinet



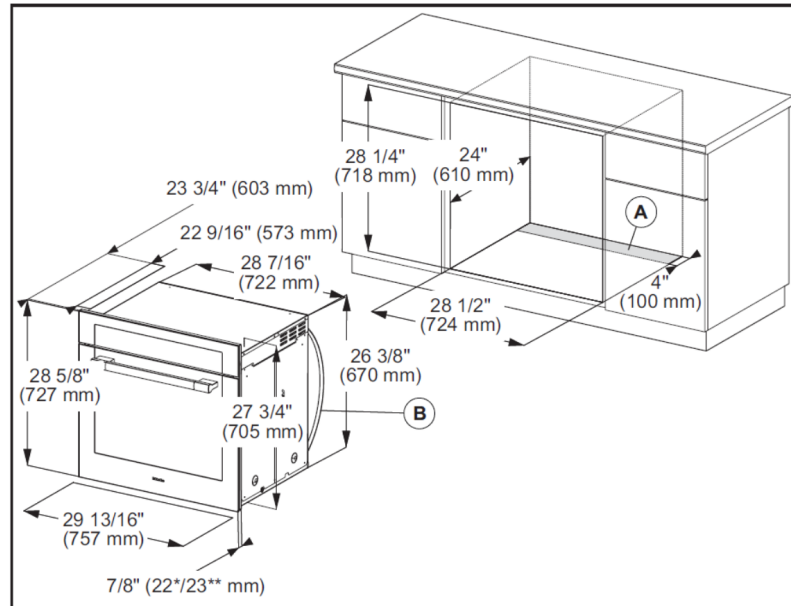
- Ⓐ Cut-out (4" x 28" / 100 mm x 720 mm) in the bottom of the cabinet for power cord and ventilation
- Ⓑ Power cord with plug
- * Oven with glass front
- ** Oven with metal front

PureLine 30" Convection Oven H 6680 BP



INSTALLATION SPECIFICATIONS

Undercounter Installation



Ⓐ Cut-out (4" x 28" / 100 mm x 720 mm) in the bottom of the cabinet for power cord and ventilation

Ⓑ Power cord with plug

* Oven with glass front

** Oven with metal front