

# PTD9000BN/SN

## GE Profile™ 30" Smart Built-In Convection Double Wall Oven with In-Oven Camera and Air Fry

### DIMENSIONS AND INSTALLATION INFORMATION (IN INCHES)

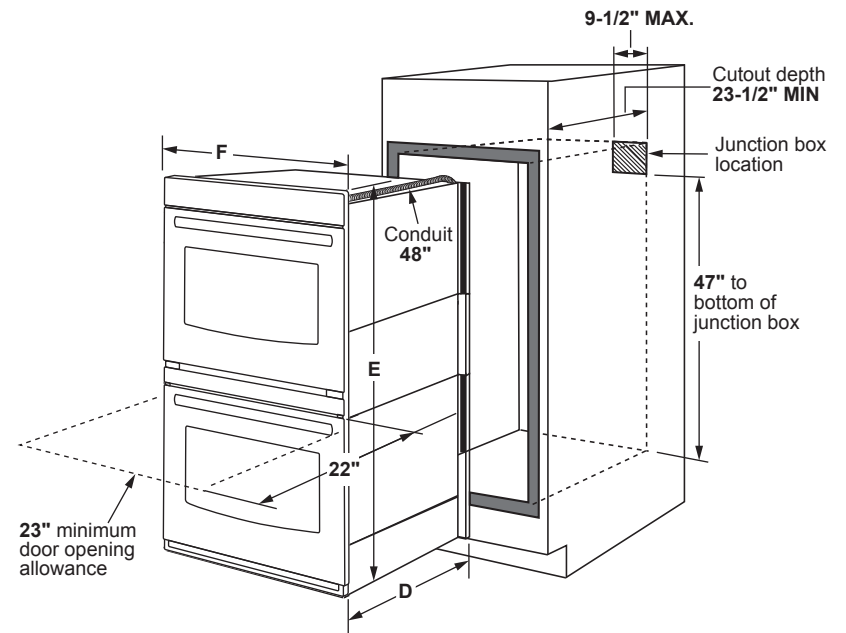
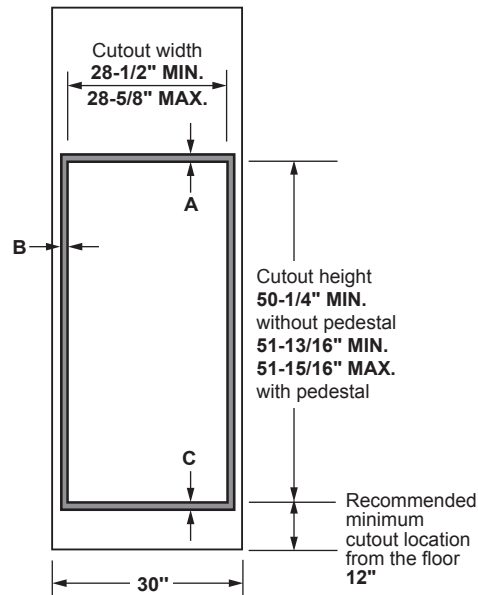
**NOTE:** Wall coverings, countertops and cabinets surrounding the wall oven must be able to withstand a temperature of up to 200°F (94°C).

**NOTE:** If the cabinet in which the wall oven is installed does not have a solid bottom, two braces or runners must be installed to support the weight of the oven. The runners and braces must support up to 400 lbs (181 kg).

**NOTE:** Door handle protrudes 3" from door face. Cabinets and drawers on adjacent 45° and 90° walls should be placed to avoid interference with the handle.

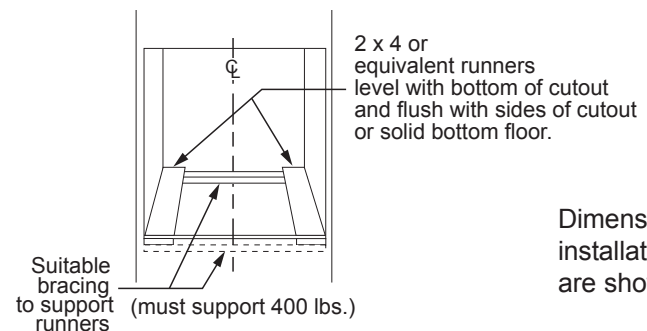
**ATTENTION INSTALLER:** Electric wall ovens are NOT approved for installation with a plug and receptacle. They must be hard wired into an approved junction box.

**IMPORTANT:** Before installing, consult installation instructions packed with product for current dimensional data.



KW RATING	
240V	9.0
208V	6.8
BREAKER SIZE	
240V	40 Amps
208V	40 Amps

	PTD9000
<b>Cabinet</b>	30"
A - Overlap of oven at top of cutout	1"
B - Overlap of oven other side of edge of cutout	3/4"
C - Overlap of oven at bottom of cutout	1-1/4"
<b>Oven</b>	
D - Install depth	23-1/2"
E - Overall height with trim	53"
F - Overall width	29-3/4"



Dimension and installation information are shown in inches.



For answers to your Monogram, GE Café™ Series, GE Profile™ Series or GE Appliances product questions, visit our website at [geappliances.com](http://geappliances.com) or call GE Answer Center® Service, 800.626.2000.



# PTD9000BN/SN

## *GE Profile™ 30" Smart Built-In Convection Double Wall Oven with In-Oven Camera and Air Fry*

### **DIMENSIONS AND INSTALLATION INFORMATION (IN INCHES)**

**NOTE:** 30" Double electric wall ovens are approved for installation above 27" and 30" warming drawers.

**ATTENTION INSTALLER:** Electric wall ovens are NOT approved for installation with a plug and receptacle. They must be hard wired into an approved junction box.

**IMPORTANT:** Before installing, consult installation instructions packed with ALL products for current dimensional and combination data.

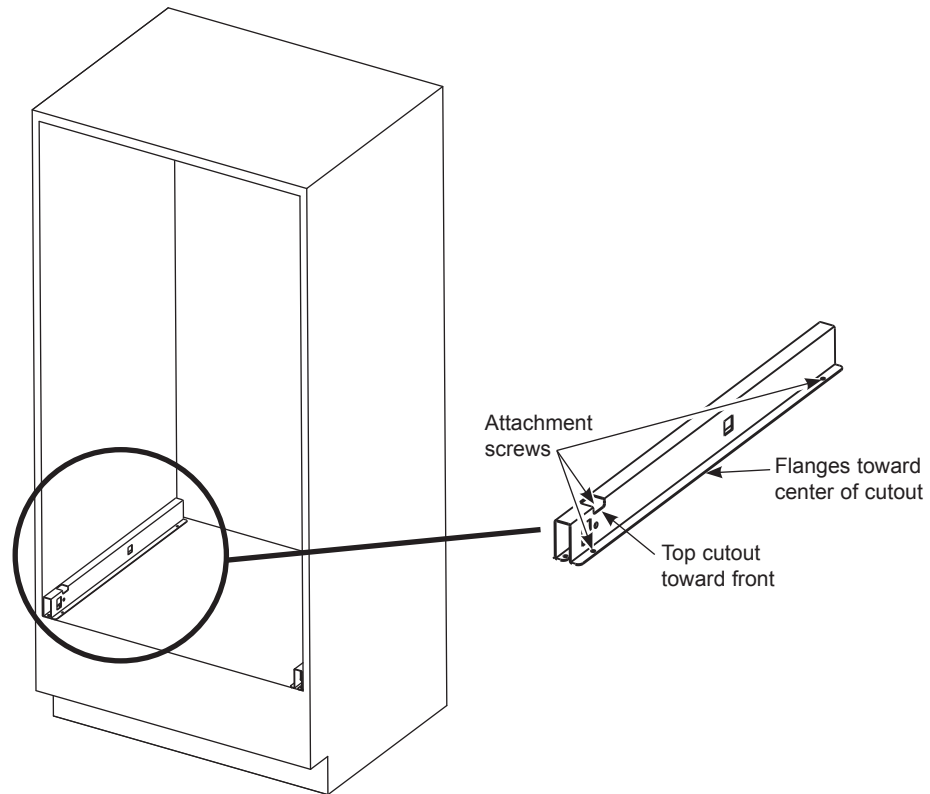
#### **WHEN TO USE THE PEDESTAL RAILS:**

When replacing an older GE Appliances 30" double wall oven with a new GE Appliances model. Cutout Height = 51-13/16" to 51-15/16". This is our traditional cutout height.

#### **WHEN NOT TO USE THE PEDESTAL RAILS:**

When replacing a 30" double wall oven from another manufacturer (ie; Whirlpool) with a new GE Appliances model. Cutout height = 50-1/4". You will need to verify that the existing cutout matches the 50-1/4" dimension.

If the new GE Appliances 30" double wall oven is being installed into new construction (ie; not a replacement), then the recommended installation is to use the pedestal rails.



For answers to your Monogram, GE Café™ Series, GE Profile™ Series or GE Appliances product questions, visit our website at [geappliances.com](http://geappliances.com) or call GE Answer Center® Service, 800.626.2000.

Specification Revised 6/20

# PTD9000BN/SN

## *GE Profile™ 30" Smart Built-In Convection Double Wall Oven with In-Oven Camera and Air Fry*

### **FEATURES AND BENEFITS**

In-oven camera

Hot air frying

Anywhere control with remote notifications

Remote temperature probe

Dehydrate mode

Precision cooking modes

True European Convection with Direct Air

No preheat options

Brilliant touch 7" display

Soft-close door

Never-scrub, heavy-duty smooth glide roller racks

Self-clean oven with optional Steam Clean

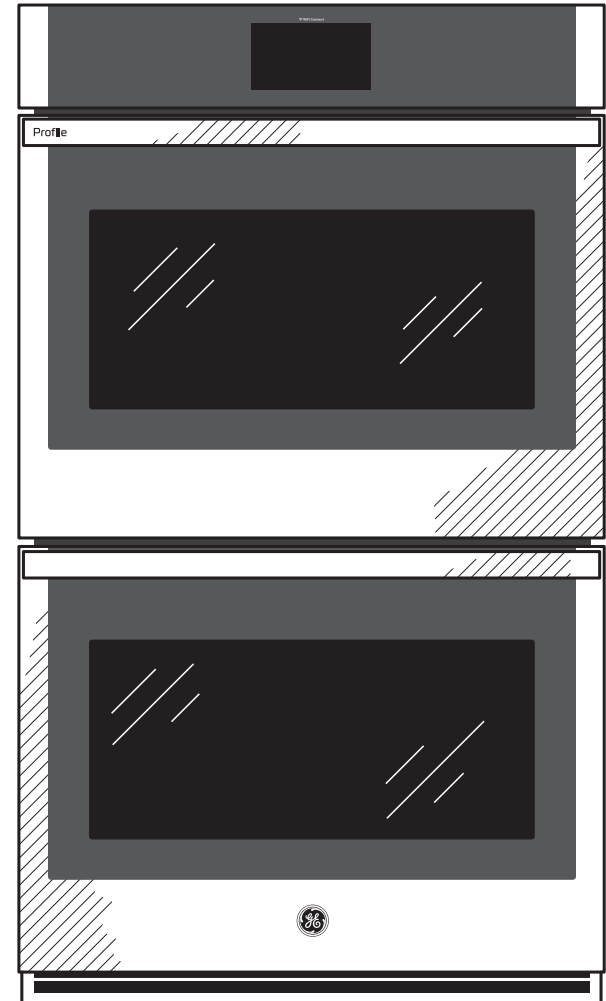
10-pass hidden bake element

10-pass dual-broil element

Fit Guarantee

Model PTD9000BNTS – Black Stainless

Model PTD9000SNSS – Stainless Steel



### **GUARANTEED FIT**

Replacing a similar wall oven from GE Appliances or another brand? GE wall ovens are guaranteed for an exact fit or GE Appliances will pay up to \$300 toward modifications.

Visit [geappliances.com](http://geappliances.com) for more info

