

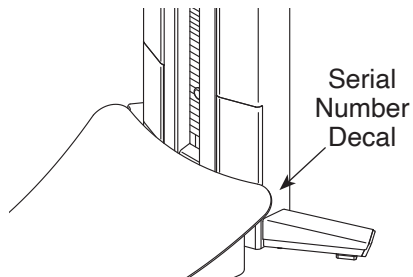
FREEMOTION[®]

SQUAT

Model No. G610.0

Serial No. _____

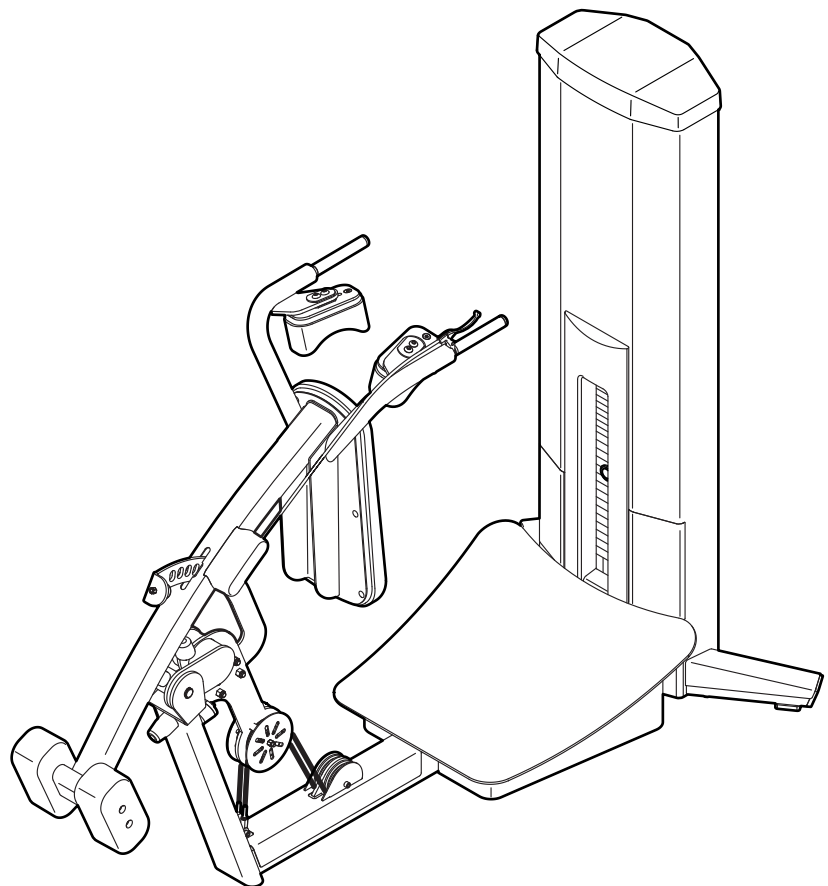
Write the serial number in the space above for reference.



OWNER'S MANUAL

QUESTIONS?

If you have questions, or if parts are damaged or missing, please see **HOW TO CONTACT CUSTOMER CARE** on the back cover of this manual.



CAUTION

Read all precautions and instructions in this manual before using this equipment. Keep this manual for future reference.

TABLE OF CONTENTS

IMPORTANT PRECAUTIONS.....	3
WARNING DECAL PLACEMENT	4
BEFORE YOU BEGIN.....	5
ADJUSTMENT	6
MAINTENANCE AND TROUBLESHOOTING.....	7
CABLE DIAGRAM.....	10
PART LIST	11
EXPLODED DRAWING.....	13
HOW TO CONTACT CUSTOMER CARE.....	Back Cover
LIMITED WARRANTY.....	Back Cover

FREEMOTION is a registered trademark of iFIT Inc. FORMULA 409 is a registered trademark of The Clorox Company. SIMPLE GREEN is a registered trademark of Sunshine Makers, Inc. TEFLON is a registered trademark of E. I. du Pont de Nemours and Company.

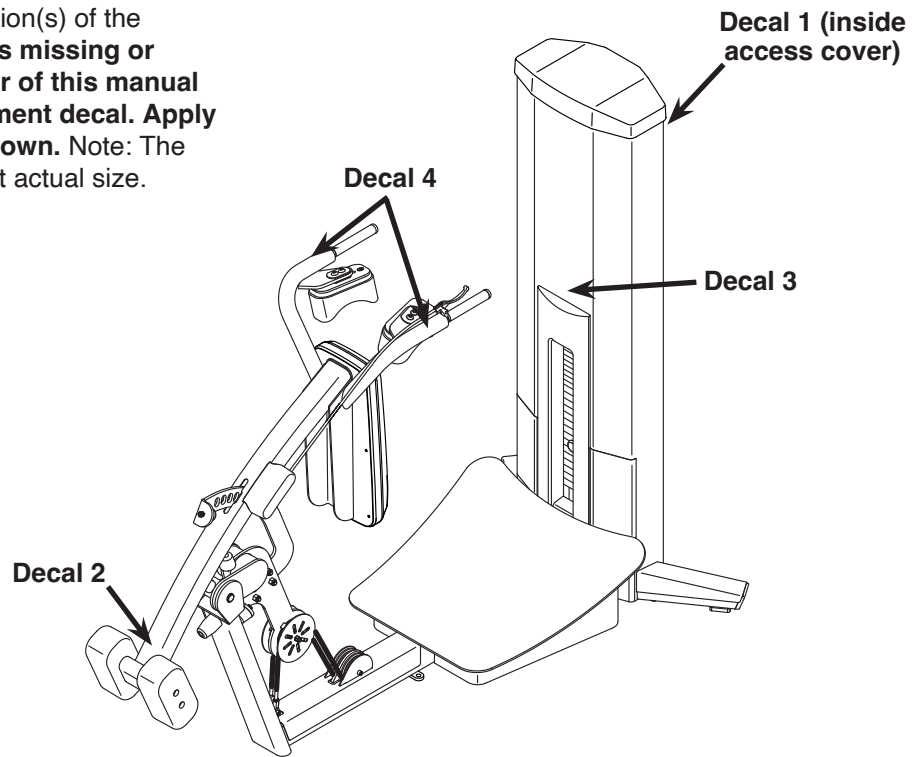
IMPORTANT PRECAUTIONS

⚠️ WARNING: To reduce the risk of serious injury, read all important precautions and instructions in this manual and all warnings on your strength equipment before using your strength equipment. Freemotion Fitness assumes no responsibility for personal injury or property damage sustained by or through the use of this product.

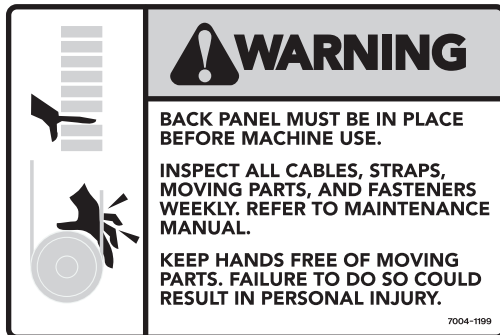
1. It is the responsibility of the owner to ensure that all users of the strength equipment are adequately informed of all precautions, have read and understood all warning and caution labels, and are informed of how to use the strength equipment properly.
2. Before beginning any exercise program, consult your physician. This is especially important for persons over age 35 or persons with pre-existing health problems.
3. Use the strength equipment only as described in this manual.
4. It is the responsibility of the owner to ensure that there is enough space around the strength equipment for the intended exercise.
5. Use the strength equipment only on a level surface. Cover the floor beneath the strength equipment to protect the floor.
6. Using the anchor holes (see page 5), anchor the strength equipment to the floor to provide maximum stability.
7. All users of the strength equipment should be instructed to report any injury or strength equipment irregularity to facility staff immediately.
8. Keep children under age 13 and pets away from the strength equipment at all times.
9. The strength equipment is designed to support a maximum user weight of 350 lbs. (159 kg).
10. Always wear athletic shoes for foot protection while exercising.
11. Keep hands and feet away from moving parts. Do not lean on or rest your hands on the strength equipment while it is in use.
12. Make sure that the weight pin is completely inserted into one of the weight plates.
13. Check each cable, cable connection, and pulley before each use of the strength equipment. Make sure that all parts are properly tightened. Replace any worn parts immediately.
14. Make sure that each cable remains on the pulleys at all times. If a cable binds while you are exercising, stop immediately and make sure that the cable is on the pulleys and that nothing is interfering with the cable or the pulleys.
15. Over exercising may result in serious injury or death. If you feel faint, if you become short of breath, or if you experience pain while exercising, stop immediately and cool down.

WARNING DECAL PLACEMENT

This drawing shows the location(s) of the warning decal(s). **If a decal is missing or illegible, see the back cover of this manual and request a free replacement decal. Apply the decal in the location shown.** Note: The decal(s) may not be shown at actual size.



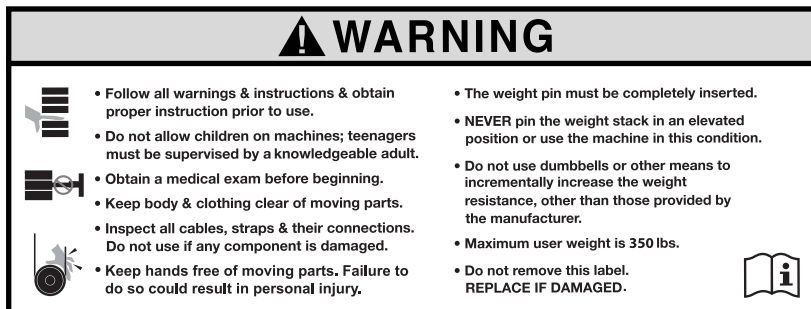
Decal 1



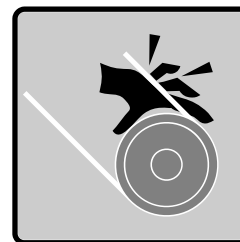
Decal 2



Decal 3 (Part of the instruction placard)



Decal 4



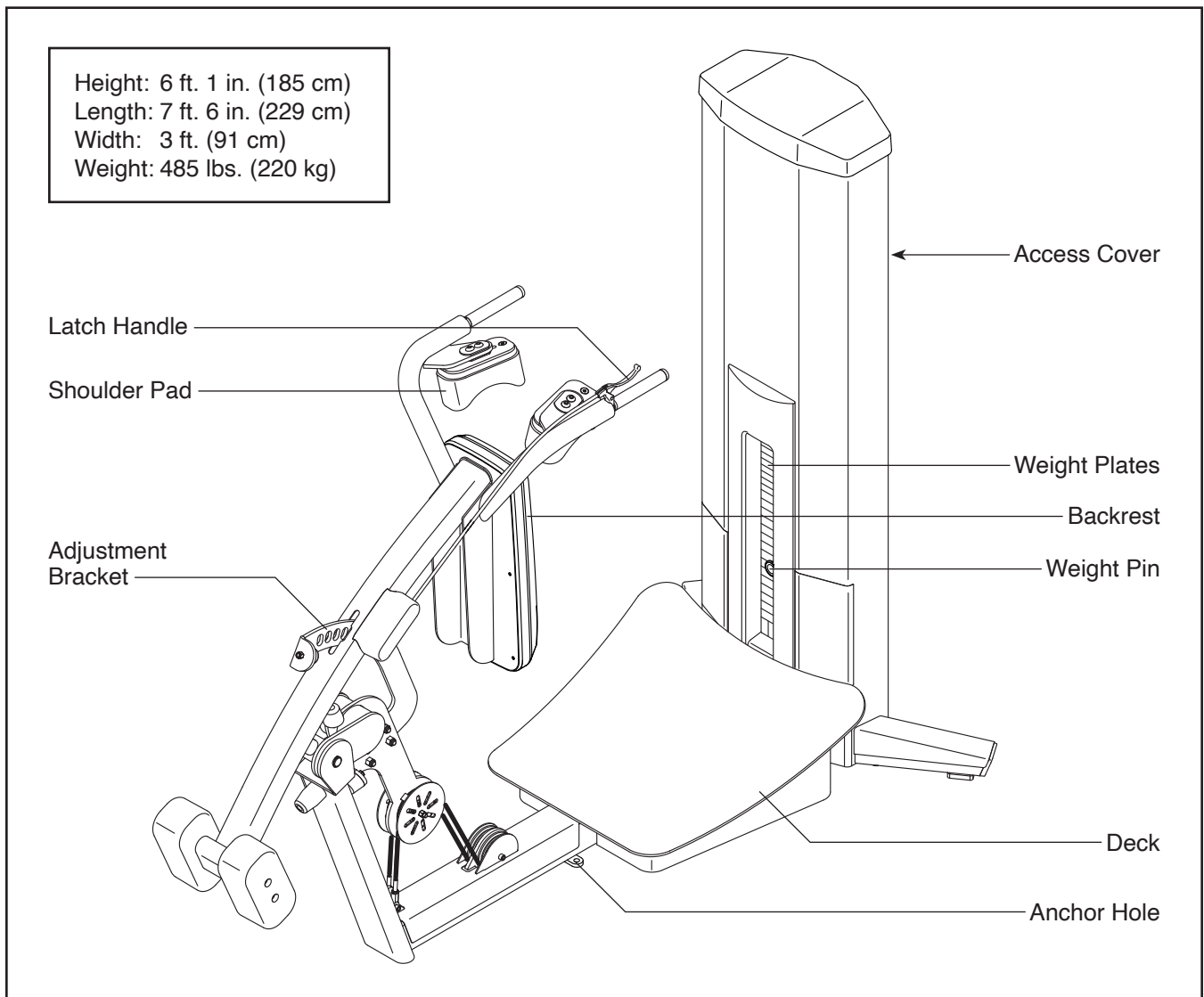
BEFORE YOU BEGIN

Thank you for selecting the FREEMOTION® SQUAT strength equipment. With unrestricted motion, you can work your body's muscle groups together—the same way you do naturally—and train more specifically and efficiently.

For your benefit, read this manual carefully before using the strength equipment. If you have questions after reading this manual, please see the back cover

of this manual. To help us assist you, note the product model number and serial number before contacting us. The model number and serial number are found on the serial number decal. The location of the serial number decal is shown on the front cover of this manual.

Before reading further, please review the drawing below and familiarize yourself with the parts that are labeled.

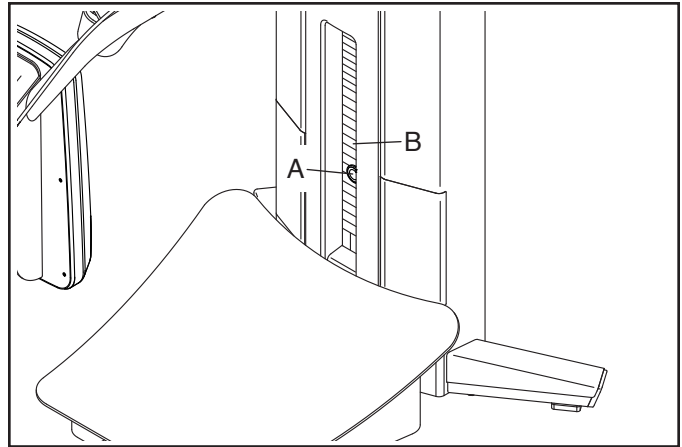


ADJUSTMENT

This section explains how to adjust the strength equipment. **Make sure all parts are properly tightened each time the strength equipment is used. Replace any worn parts immediately.**

ADJUSTING THE RESISTANCE

To change the amount of resistance during your workout, pull the weight pin (A), slide the weight pin upward or downward to the desired weight plate (B), and then insert the weight pin fully into the weight plate; **make sure that the weight pin is fully inserted.**

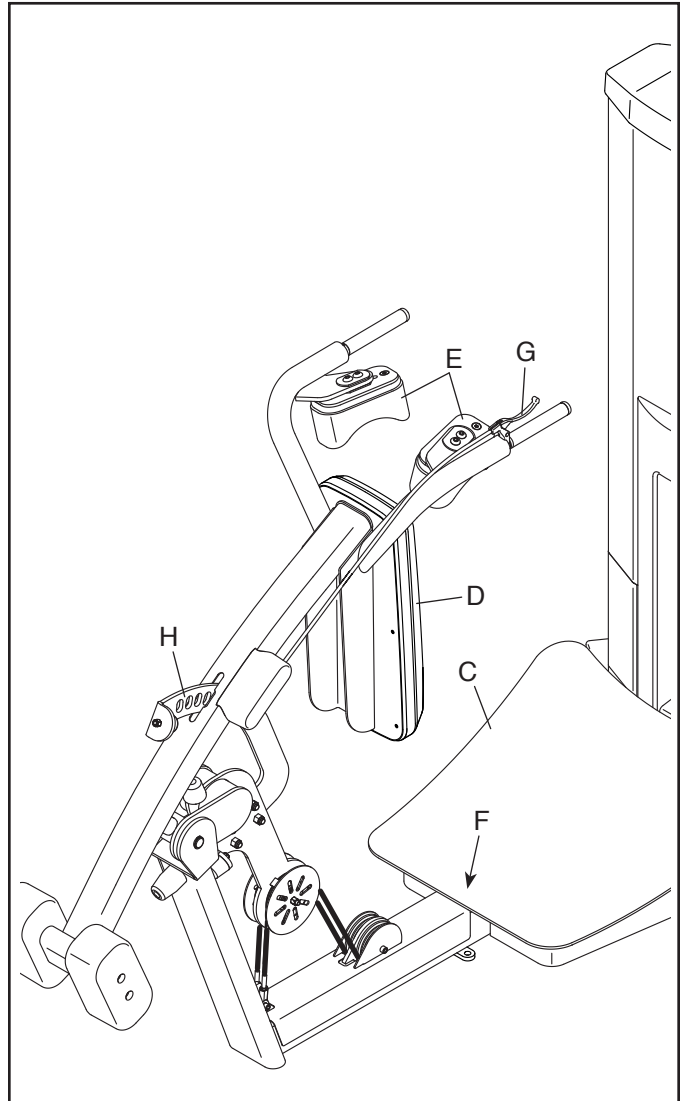


USING THE STRENGTH MACHINE

Stand on the deck (C) with your back against the backrest (D). Next, begin the first repetition and lower the shoulder pads (E) to the lowest position to which you want them to go. **This position should allow the squat exercise to be performed properly but should not allow you to become pinned under the shoulder pads if you cannot complete a repetition.**

▲ IMPORTANT: Your feet should be close enough to the lower edge (F) of the deck (C) that your lower back does not move away from the backrest (D) as you lower the backrest. Shorter users should stand closer to the lower edge of the deck. Improper positioning of your feet will cause discomfort in your lower back. Do not lower the backrest to a position that causes your lower back to move away from the backrest.

When you finish the desired number of repetitions, lower the shoulder pads (E) until all of the weight plates are on the weight stack. Next, squeeze the latch handle (G) and raise the shoulder pads. Then, release the latch handle and engage the latch into the adjustment bracket (H).



MAINTENANCE AND TROUBLESHOOTING

For optimal performance of the strength equipment and to reduce the chances of injury to users, you must perform preventive maintenance on a regular basis. Instruct all personnel to perform the procedures described in this section. Personnel must also record and report any accident. To maintain the strength equipment's warranty, use only FREEMOTION parts for repair or replacement. If there are any questions or concerns, see HOW TO CONTACT CUSTOMER CARE on the back cover of this manual.

DAILY MAINTENANCE

Upholstery and Frame—General Cleaning

1. Clean the strength equipment using a soft cloth dampened with a light solution of mild soap and warm water. If necessary, use a soft bristle brush with the cleaning solution.
2. Rinse the area thoroughly using a soft cloth dampened with clean water. Dry thoroughly.

Upholstery—Difficult Stains

1. Spray the stain with a non-abrasive household cleaner such as FORMULA 409® cleaner, SIMPLE GREEN®, or a similar product. Rub the stained area gently and let the cleaning solution sit for a few minutes.
2. Rinse the area thoroughly using a soft cloth dampened with clean water. Dry thoroughly.
3. Repeat these steps if necessary using a soft bristle brush.

Optional Method for Difficult Stains

1. Rub the stained area gently using a soft cloth dampened with rubbing alcohol.
2. Rinse the area thoroughly using a soft cloth dampened with clean water. Dry thoroughly.

CAUTION: When using any cleaning product, try it first in an unnoticeable place to ensure that there is no damage to the material. Follow the directions and the safety precautions of the manufacturer of each cleaning product used. Freemotion Fitness and its vendors cannot be held liable for damage or injuries resulting from the use or misuse of cleaning products. **IMPORTANT:** Do not use abrasive cleaners, which may scratch the strength equipment. Strong cleaners and abrasives will damage decals; use caution around decals. Do not use solvents such as lacquer thinner, kerosene, gasoline, or similar liquids.

WEEKLY MAINTENANCE

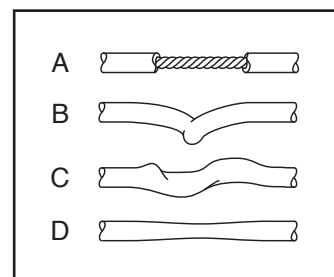
Hardware

Check all nuts and bolts and tighten them as required. **IMPORTANT:** All FREEMOTION cushions have dense plywood supports with tee-nuts that are used to bolt the cushions to the strength equipment. Because the tee-nuts are held by the plywood, they will not withstand the torque that standard nuts and bolts will. When tightening the bolts securing a cushion, turn them only until they are snug and the cushion does not move or feel loose. Overtightening may strip the tee-nuts from the plywood and make it impossible to remove the cushion in the future.

Cable

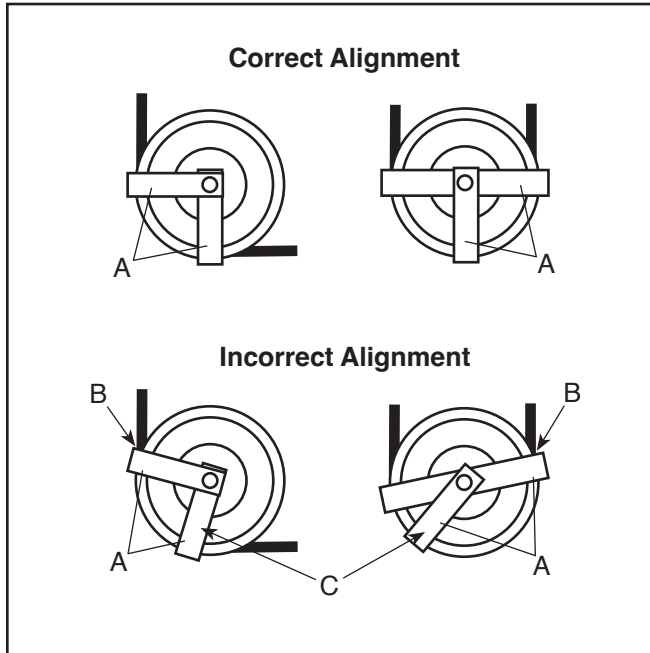
1. Check the cable for proper tension (see CABLE ADJUSTMENT on page 8).
2. Check the entire length of the cable by slowly performing one repetition on the strength equipment; inspect the cable that is exposed on the exterior of the strength equipment and the cable inside the tower. Run your fingers along the cable, paying close attention at the bends and attachment points. Watch for the following conditions, which may indicate a worn cable in need of replacement.

- A. a torn or split cable sheath that exposes the cable
- B. a kinked or severely bent cable
- C. a curled or twisted sheath
- D. a stretched cable sheath, showing a thinning cross-section



Cable Traps

Check the cable traps (A) to ensure that they are not rubbing (B) against the cables and that they are holding the cables in the grooves of the pulleys. If a cable trap is incorrectly aligned (C), loosen the bolt slightly, readjust the cable trap as necessary, and retighten the bolt.



WEIGHT GUIDE LUBRICATION

Clean and lubricate the full length of each weight guide by wiping it with a soft cloth containing a lightweight motor oil, 10W-40 or 10W-30 weight. Apply only a light coating over the entire length of the weight guide. **Do not use TEFLON®-based lubricants.**

CABLE ADJUSTMENT

For the strength equipment to function correctly, the cable must be tensioned correctly. To check the tension of the cable, first pull the weight pin and slide it to the bottom of the weight stack; **do not insert the weight pin into a weight plate.** Next, slowly raise and lower the weight carriage by performing one repetition. The weight carriage should come to rest just on top of the top weight plate when the repetition is completed.

If there is too much tension on the cable, the weight carriage will not rest on the top weight plate, and it may be difficult to insert the weight pin into the weight plates.

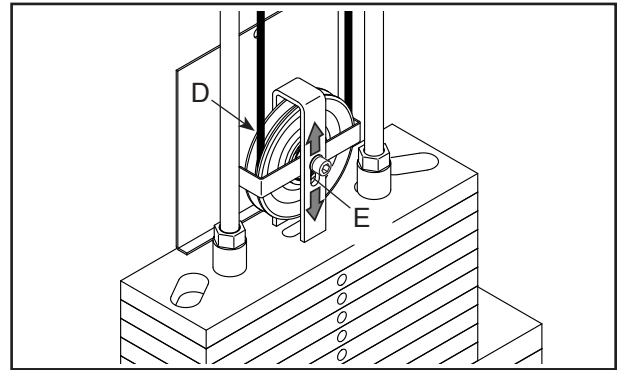
If there is not enough tension on the cable, the weight carriage will not be lifted immediately when the repetition is begun. Ideally, the cable should not move more than 1/2 in. (1.3 cm) from the resting position before the weight carriage is lifted.

If there is too much tension or not enough tension on the cable, adjust the cable as described in the following steps.

Weight Carriage Pulley Adjustment

Tools required: 5/16" hex key, 9/16" open-end wrench

1. Remove the tower cover and then remove the back access cover by sliding it upward until the two sets of tabs release.
2. Loosen the locknut (D) attaching the pulley to the bracket on top of the weight carriage.

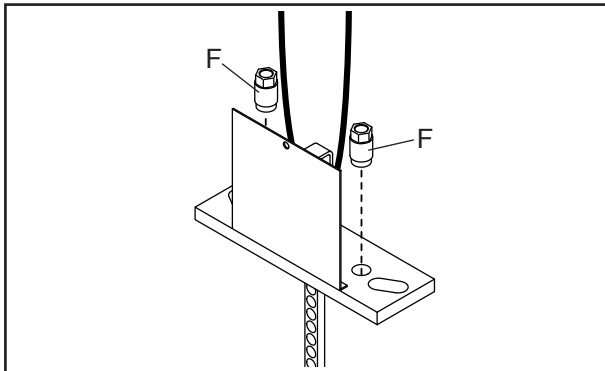


3. If more slack is needed in the cable, move the pulley upward in the slot (E). If less slack is needed, move the pulley downward.
4. Make sure that the cable trap is properly oriented (see Cable Traps at the left), and retighten the locknut (D) attaching the pulley in the bracket.
5. Check the tension of the cable as described above, and readjust it, if necessary.
6. Slowly perform a repetition using a light load and have someone make sure that the cable is not derailed from a pulley or rubbing on a cable trap.
7. Reattach the access cover.

WEIGHT STACK SERVICING

Servicing the weight stack involves replacing the bushings in the weight carriage. To order these parts, see HOW TO CONTACT CUSTOMER CARE on the back cover of this manual.

1. Remove the tower cover and then remove the back access cover by sliding it upward until the two sets of tabs release.
2. Loosen the top bolt or nuts on each weight guide. Then, remove the bolts or nuts and let the weight guides slide down to the floor.
3. Using a 5/16" hex key and a 9/16" open-end wrench, remove the pulley on the weight carriage. This will make it easier to replace the weight guide bushings.
4. Slide the weight carriage upward off the weight guides. Note: For increased clearance, pull the weight guides toward the back of the tower.
5. Unscrew and remove the existing weight guide bushings (F) from the weight carriage. Discard the existing weight guide bushings.



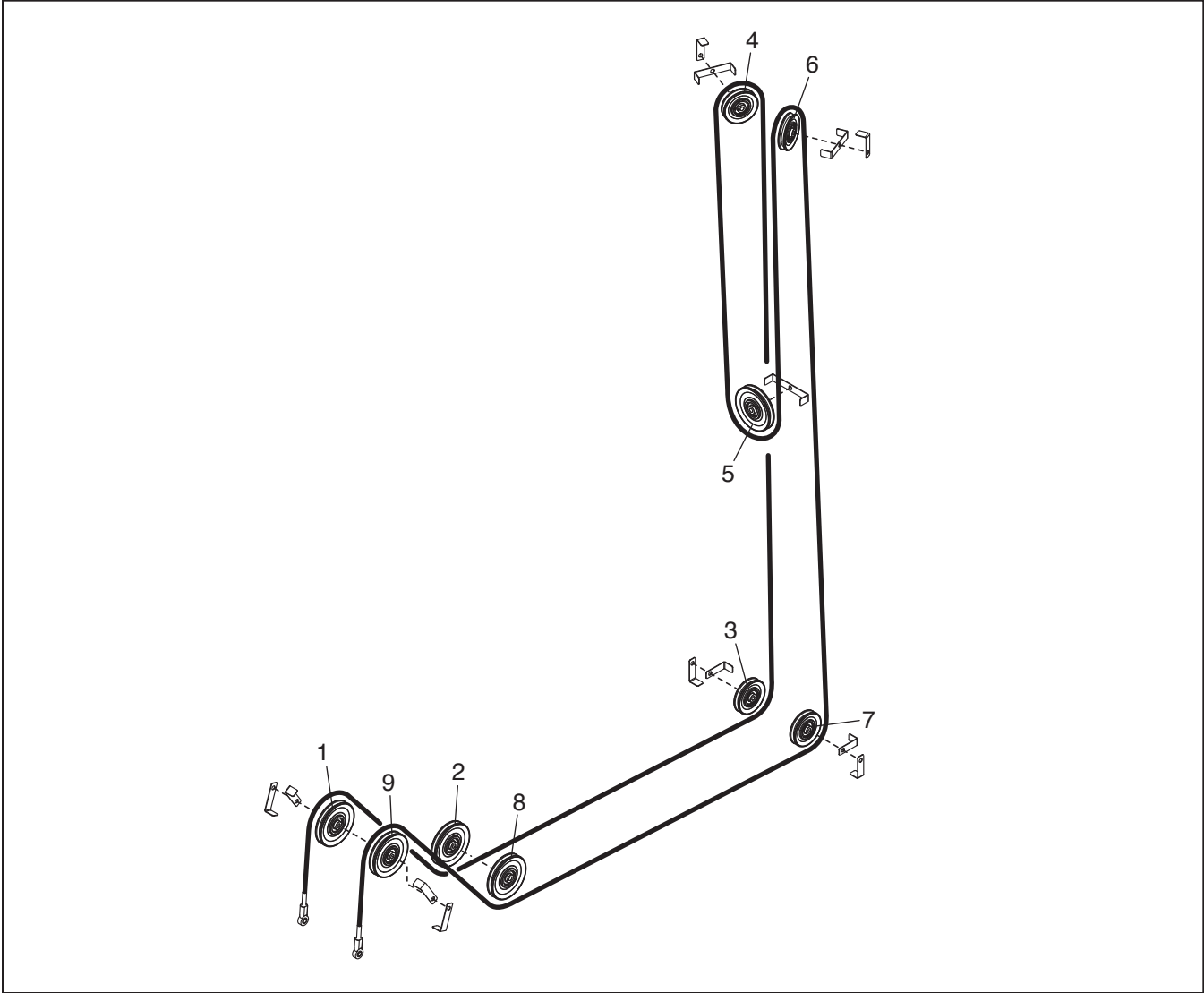
6. Tighten two new weight guide bushings (F) into the weight carriage.
7. Clean and lubricate the weight guides by wiping them using a soft cloth containing a lightweight motor oil, 10W-40 or 10W-30 weight. Apply only a light coating over the entire length. See WEIGHT GUIDE LUBRICATION on page 8.
8. Replace the weight carriage on the weight guides. Then, reattach the pulley, cable, and cable traps.
9. Reattach the weight guides to the top of the tower.
10. Pull the weight pin and slide it to the bottom of the weight stack; **do not insert the weight pin into a weight plate.** Next, perform one repetition, lifting the weight carriage all of the way to the top. Then, lower the weight carriage to the resting position.

If the weight carriage sticks, loosen one of the weight guide bolts or nuts. Then, lift the weight carriage to the top again, and retighten the weight guide bolt or nuts. Check the full travel again and readjust the weight guides if necessary.

11. Slowly perform a repetition and have someone make sure that the cable is not derailed from a pulley or rubbing on a cable trap.
12. Reattach the access cover.

CABLE DIAGRAM

The cable diagram shows the proper route of the cable. Use the diagram to make sure that the cable and the cable traps have been assembled correctly. If the cable has not been correctly routed, the strength equipment will not function properly and damage may occur. The numbers show the correct route of the cable. **Make sure that the cable traps do not touch or bind the cable.**



PART LIST

Model No. G610.0 R1024A

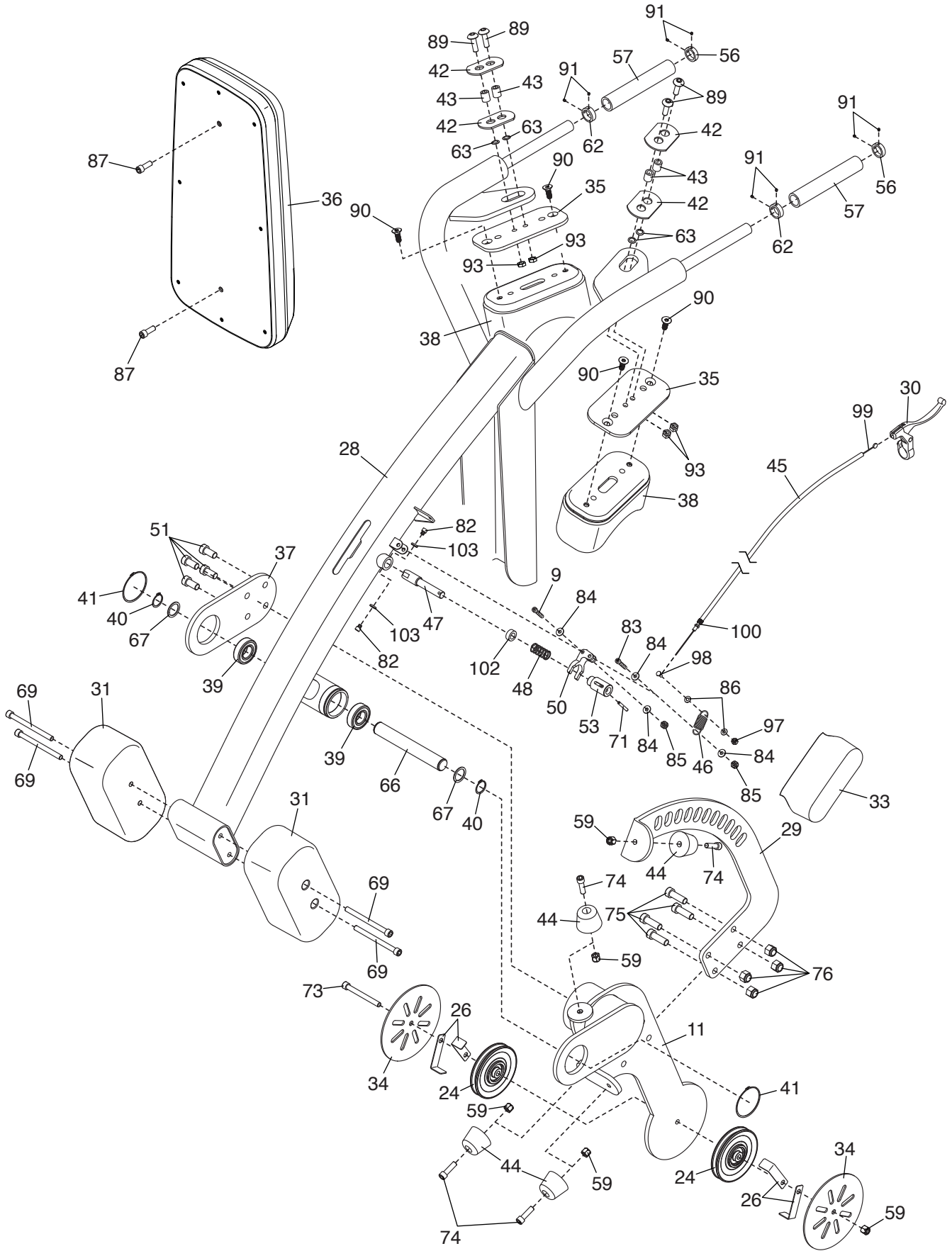
Key No.	Qty.	Description	Key No.	Qty.	Description
1	1	Tower	46	1	Relief Spring
2	1	Tower Cover	47	1	Latch
3	1	Left Stabilizer	48	1	Latch Spring
4	1	Right Stabilizer	49	4	#8 x 3/4" Screw
5	1	Left Stabilizer Cover	50	1	Latch Lever
6	1	Right Stabilizer Cover	51	8	1/2" x 1" Screw
7	2	Stabilizer Cap	52	6	3/8" x 1/2" Screw
8	3	Foot	53	1	Latch Cylinder
9	1	1/4" x 1/2" Lever Screw	54	8	3/8" x 1" Patch Screw
10	1	Lower Cover	55	2	3/8" x 3" Bolt
11	1	Lift Bracket	56	2	Handle Cap
12	1	Deck	57	2	Handgrip
13	1	Access Cover	58	7	1/4" x 3/8" Screw
14	1	Weight Carriage	59	14	3/8" Locknut
15	8	Small Weight Plate	60	4	5/8" Jam Nut
16	14	Large Weight Plate	61	2	Frame Pulley Cover
17	2	Weight Cushion	62	2	Handle Bushing
18	2	Weight Guide	63	8	3/8" Serrated Lock Washer
19	2	Weight Guide Bushing	64	4	5/8" Split Washer
20	1	Weight Pin	65	2	Ball End
21	1	Weight Bumper	66	1	Pivot Axle
22	6	Small Cable Trap	67	2	1" Washer
23	1	Frame Cover	68	2	Small Double Trap
24	5	Large Pulley	69	4	3/8" x 4 1/2" Screw
25	4	Small Pulley	70	1	Large Double Trap
26	4	Large Cable Trap	71	1	Roll Pin
27	1	Frame	72	1	3/8" x 2 1/4" Bolt
28	1	Lift Frame	73	1	3/8" x 3 1/2" Bolt
29	1	Large Adjustment Bracket	74	8	3/8" x 1 1/4" Bolt
30	1	Latch Handle	75	4	1/2" x 1 1/2" Bolt
31	2	Counterweight	76	4	1/2" Locknut
32	2	Weight Spacer	77	2	Short Magnetic Tape
33	1	Latch Cover	78	2	Long Magnetic Tape
34	2	Lift Pulley Cover	79	1	Hook Fastener Tape
35	2	Pad Bracket	80	1	Loop Fastener Tape
36	1	Backrest	81	1	Cable
37	1	Small Adjustment Bracket	82	2	1/4" x 1/2" Screw
38	2	Shoulder Pad	83	1	1/4" x 1 1/4" Screw
39	2	Bearing	84	4	1/4" Nylon Washer
40	2	Small Snap Ring	85	3	1/4" Locknut
41	2	Large Snap Ring	86	2	#10 Washer
42	4	Pad Bushing	87	2	M8 x 25mm Screw
43	4	Pad Spacer	88	3	3/8" x 2" Screw
44	5	Bumper	89	4	3/8" x 1 1/4" Screw
45	1	Latch Cable Housing	90	4	3/8" x 1" Flat Head Screw

Key No.	Qty.	Description	Key No.	Qty.	Description
91	8	#10 x 1/8" Set Screw	99	1	Latch Cable
92	4	#8 x 1" Flat Head Screw	100	1	Adjustment Barrel
93	5	3/8" Jam Nut	101	2	3/4" Washer
94	2	Tower Guard	102	1	Collar
95	1	3/8" x 3/4" Screw	103	2	1/4" Split Washer
96	2	3/8" Cable Nut	104	1	Small Top Weight Plate
97	1	M5 Locknut	105	1	Large Bottom Weight Plate
98	1	M5 Cable Bolt	*	–	Owner's Manual

Note: Specifications are subject to change without notice. For information about ordering replacement parts, see the back cover of this manual. *These parts are not illustrated.

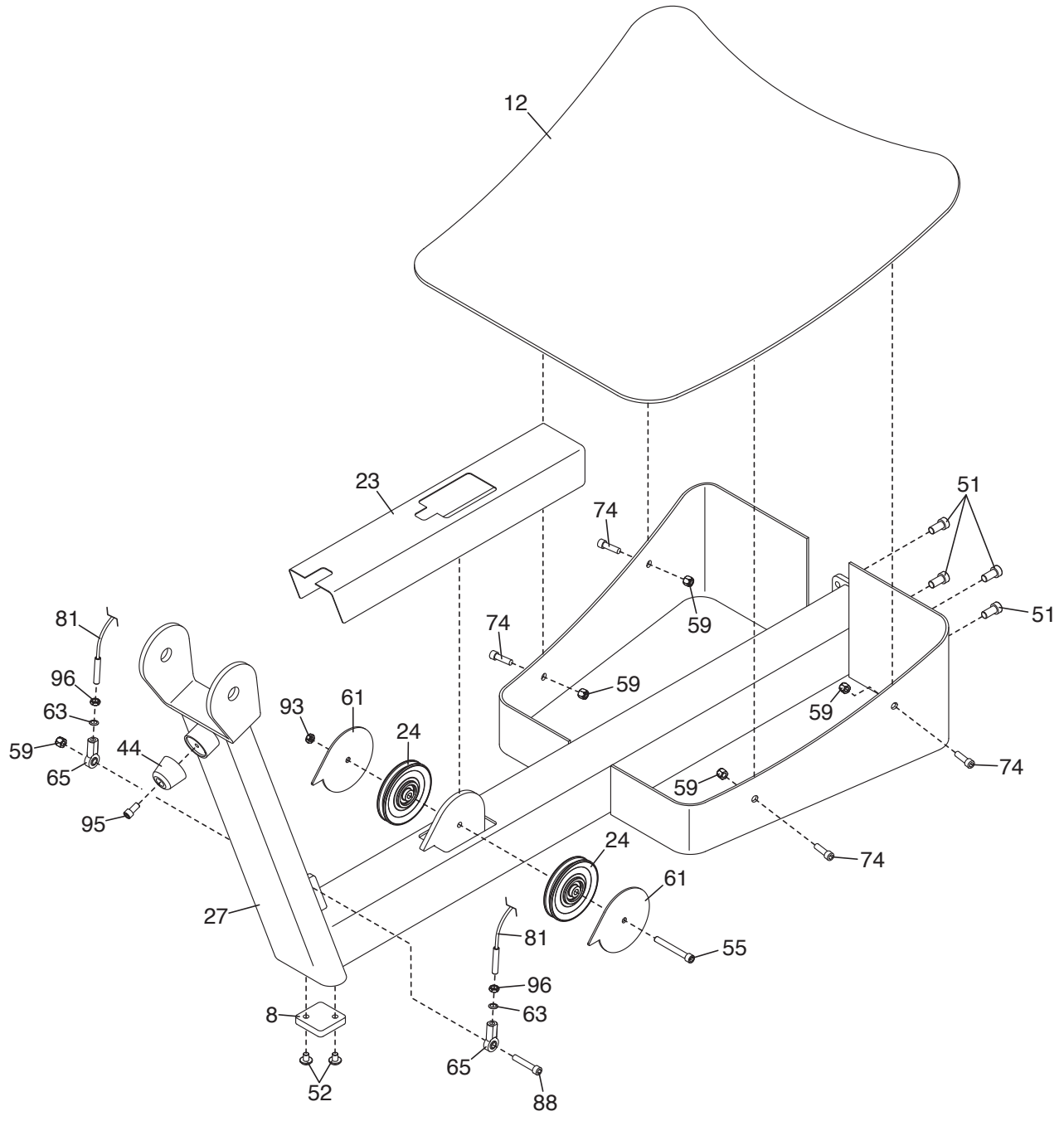
EXPLODED DRAWING A

Model No. G610.0 R1024A



EXPLODED DRAWING C

Model No. G610.0 R1024A



HOW TO CONTACT CUSTOMER CARE

If you have questions after reading this manual, or if parts are damaged or missing, please contact Customer Care at one of the phone numbers or addresses listed below. **Please note the model number, serial number, and name of the product (see the front cover of this manual) before contacting Customer Care. If you are ordering replacement parts, please also note the key number and description of each part (see the PART LIST and the EXPLODED DRAWING near the end of this manual).**

In the United States

Call: 1-800-201-2109, Mon.–Fri. 6 a.m.–6 p.m. MT

Email: customercare@freemotionfitness.com

Write:

Freemotion Fitness
1500 South 1000 West
Logan, UT 84321-9813
United States

Outside the United States

Call: 001-800-527-5417 or 001-435-786-3521,

Mon.–Fri. 6 a.m.–3 p.m. USA Mountain Time

Email: intlcustomercare@freemotionfitness.com



LIMITED WARRANTY

WARRANTY PERIODS AND COVERAGE

Freemotion Fitness warrants this product to be free from defects in workmanship and material under normal use and service conditions. To see the warranty terms for this product, go to freemotionfitness.com, find this product, and then see the product details and specifications.

The warranty period commences on the invoice date of purchase. Any parts repaired or replaced during this warranty period will be warranted for the remainder of the original warranty period.

CONDITIONS AND LIMITATIONS

The following will void the warranty on this product:

1. This warranty applies only to the original owner and is non-transferable.
2. The labor warranty applies only to products sold in the US and Canada. Contact your authorized Freemotion Fitness dealer for details on labor coverage in your country.
3. Any misuse, abuse, or improper service.
4. Users in excess of the maximum user weight listed in this manual. Note: This product may not have a maximum user weight.
5. Damage caused by moving the product or improper storage including moving or storing the product on its side.
6. Use or storage of the product outdoors or in high-humidity environments including spa and pool areas.
7. Damage caused by improper wiring or insufficient electrical current. Note: This product may not have wiring.

This warranty shall not apply to the following:

1. Cosmetic items including grips, decals, and labels.
2. Pick-up and delivery or freight charges involved with a repair.
3. Any problem as a result of improper assembly or delivery.

WHAT TO DO IF SERVICE IS REQUIRED

Freemotion Fitness warranty service may be obtained by contacting the authorized dealer from which you purchased this product. Make sure to retain your original invoice and serial number information. If this product experiences a failure under the warranty terms set forth, Freemotion Fitness shall provide at their option either repair, replacement, or refund of the purchase price. Freemotion Fitness compensates service providers for warranty trips within their service area. You may be charged additionally for service calls beyond this service area.

Freemotion Fitness is not responsible or liable for indirect, special, or consequential damages arising out of or in connection with the use or performance of the product; damages with respect to any economic loss, loss of property, loss of revenues or profits, loss of enjoyment or use, or cost of removal or installation; or other consequential damages. Some regions do not allow the exclusion or limitation of consequential damages. Accordingly, the above limitation may not apply to you. This warranty gives you specific rights, and you may have other rights that vary from region to region.

TO CONTACT FREEMOTION FITNESS

See HOW TO CONTACT CUSTOMER CARE above.