

# NA30R5310F

SAMSUNG

## 30" Gas Cooktop



### Signature Features

#### Powerful Burners

- Powerful burners have the flexibility to accommodate a number of dishes at once.

#### Front Controls

- Front Controls are easy to reach.

#### Continuous Cast Iron Grates

- Continuous Cast Iron Grates provide a sleek and smooth design.

### Available Colors



Stainless Steel (shown)



Fingerprint Resistant  
Black Stainless Steel



Front Controls



Continuous Cast Iron Grates

### Features

- Powerful Cooktop
  - Right Front: 17K BTU (Power Burner)
  - Left Front: 10K BTU
  - Right Rear: 5K BTU (Simmer)
  - Left Rear: 13K BTU
- Cast Iron 2-Piece Grates
- Sealed Burners
- ADA Compliant

### Convenience

- LP Conversion Kit



ADA Compliant

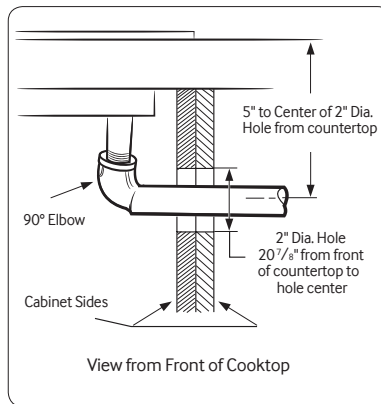
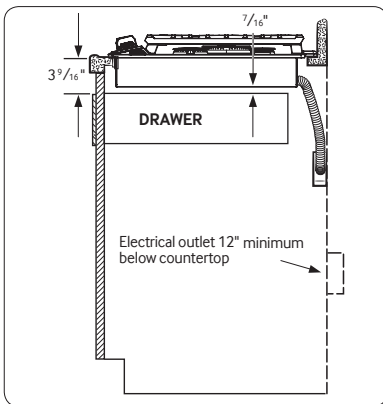
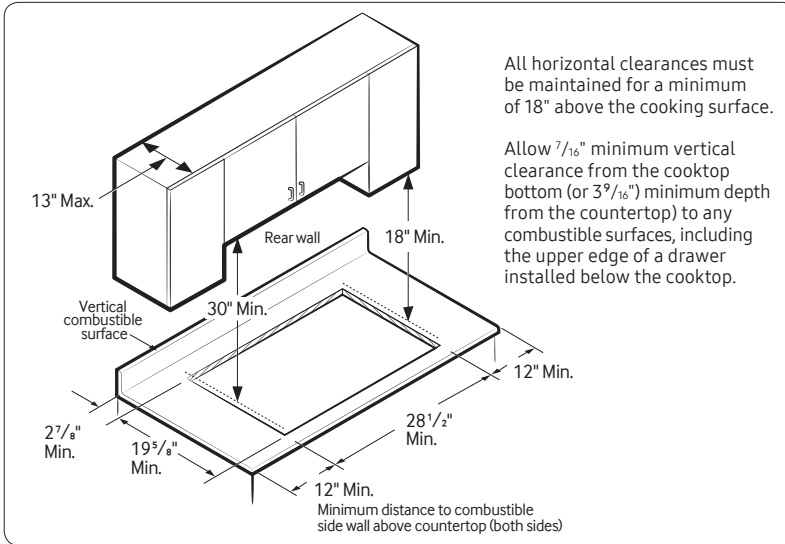
# NA30R5310F

**SAMSUNG**

## 30" Gas Cooktop

### Installation Requirements

Countertop cut-out and minimum clearance dimensions:



**Total Power (BTU)**  
45K

**Power Source**  
120V / 60 Hz / 1A

### Gas Cooktop (BTU)

- Right Front: 17K (Power Burner)
- Left Front: 10K
- Right Rear: 5K (Simmer)
- Left Rear: 13K

### Warranty

One (1) Year All Parts and Labor

### Product Dimensions & Weight (WxHxD)

Outside (Max) Cooktop Dimensions: 30" x 5 $\frac{13}{16}$ " x 21"

Cooktop Cut-Out Dimensions: 28 $\frac{1}{2}$ " x 3 $\frac{1}{4}$ " x 19 $\frac{5}{8}$ "

Weight: 60.5 lbs (Stainless Steel)

60.7 lbs (Fingerprint Resistant Black Stainless Steel)

### Shipping Dimensions & Weight (WxHxD)

Dimensions: 34 $\frac{11}{16}$ " x 10 $\frac{5}{8}$ " x 25 $\frac{5}{8}$ "

Weight: 71.0 lbs

### Color

Stainless Steel

### Model #

NA30R5310FS/AA

### UPC Code

887276298924

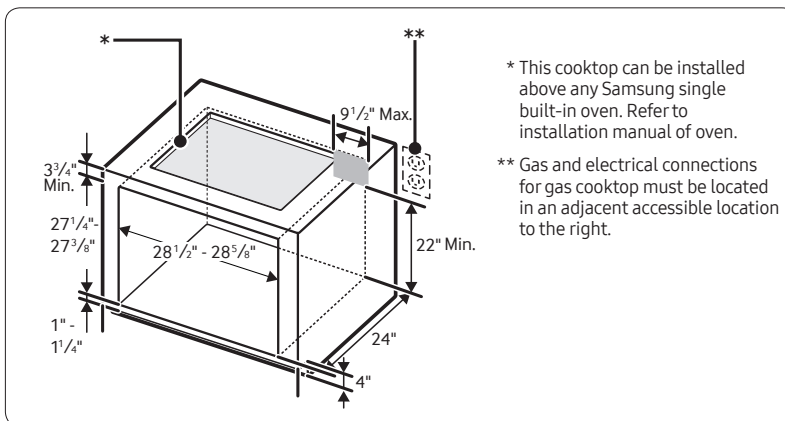
Fingerprint Resistant

Black Stainless Steel

NA30R5310FG/AA

887276298917

### Installing Over a Single Oven



### Cooktop Dimensions

