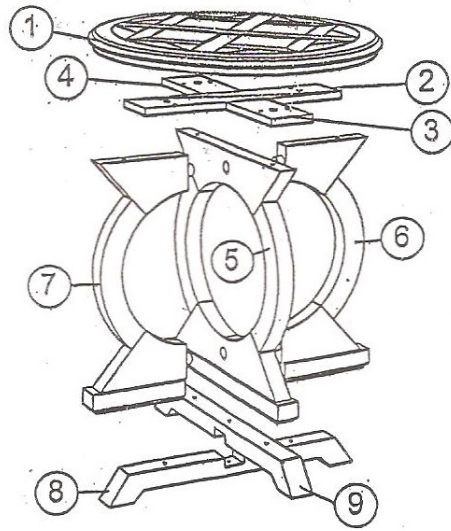





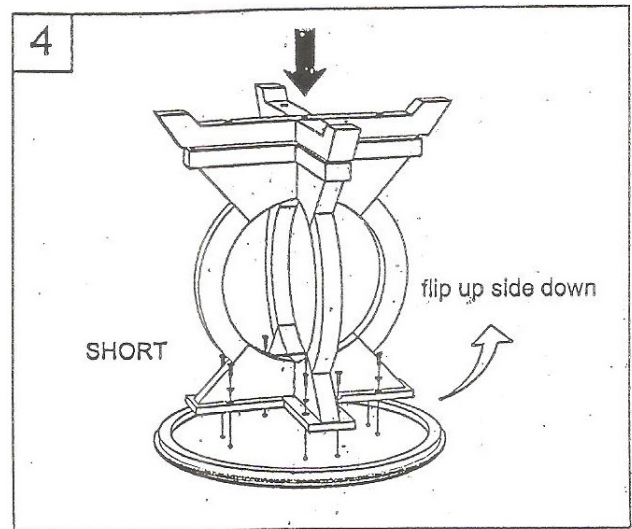
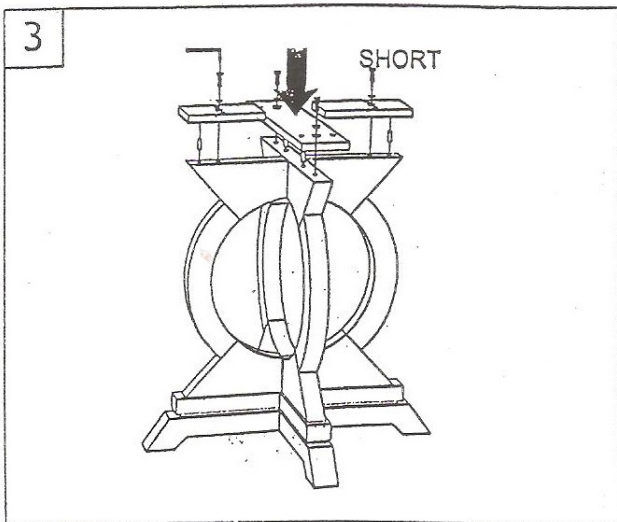
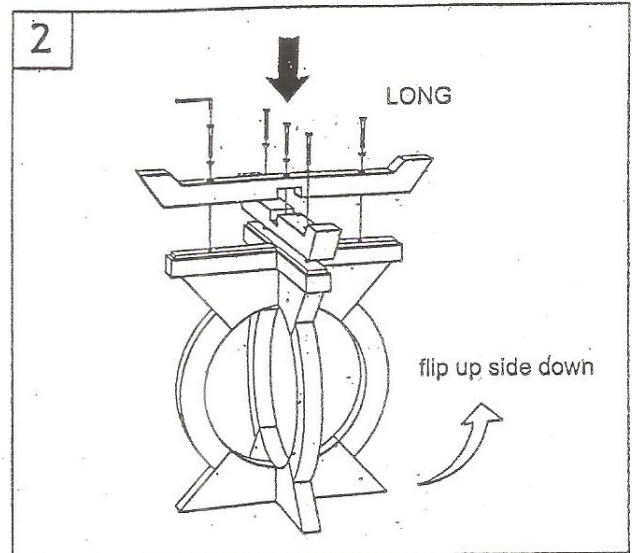
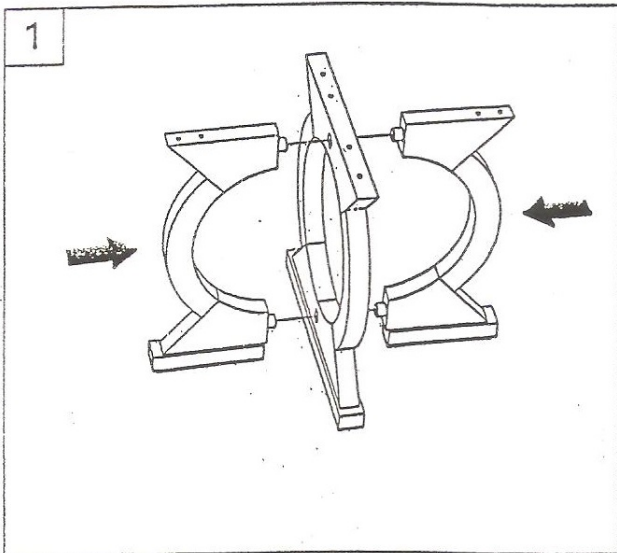


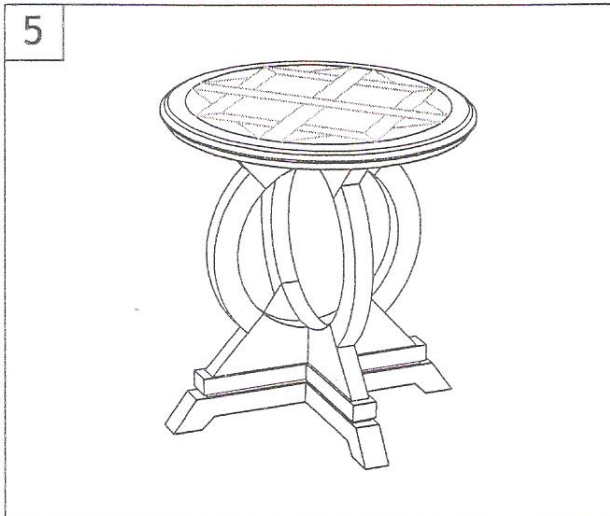


# UTTERMOST ASSEMBLY INSTRUCTION FOR ITEM #25426



-  5 PCS (LONG)
-  12 PCS (SHORT)
-  17 PCS
-  4 PCS
-  1 PC





PO BOX 558/3325 GRASSY HILL RD. ROCKY MOUNT, VIRGINIA 24151  
[www.uttermost.com](http://www.uttermost.com)