



RANGE HOOD

MODEL NUMBER SERIES

FRHWM5503-48 | FRHWM5503-48BLK | FRHWM5503-48WHT



CONFORMS TO UL STD.507
CERTIFIED TO CSA STD.C22.2 NO.60335-1 & 60335-2-31

INSTRUCTION MANUAL

Read these instructions carefully before using your appliance, and keep it carefully. If you follow the instructions, your appliance will provide you with many years of good service.

Customer Care

Thank you for purchasing a Forno product. Please read the entire instruction manual before operating your new appliance for the first time. Whether you are an occasional user or an expert, it will be beneficial to familiarize yourself with the safety practices, features, operation and care recommendations of your appliance.

Both the model and serial number are listed inside the product. For warranty purposes, you will also need the date of purchase .

Record this information below for future reference.

Product Information

Model Number : _____

Serial Number :

Date of Purchase : _____

Purchase Address And Phone : _____

Service Information

Use these numbers in any correspondence or services calls concerning your product.

If you received a damaged product, immediately contact Forno.

To save time and money, before you call for serviced, check the troubleshooting guide. It listed the causes of minor operation problems that you can correct yourself.



“Need some quick help? Simply scan the qr code and get access to our fast support form. We’re always here to assist you with any questions or concerns you may have. So, don’t hesitate to reach out!”

Services in Canada and Untied States

Keep the instruction manual handy to answer your questions. If you don’t understand something or need more assistance, please visit our website for fast support. Please provide us your name, number, address,serial number of the product that troubleshooting, proof of purchase, and a short description of the issue. A customer service representative will contact you as soon as possible. All warranty work needs to be authorized by FORNO customer service. All our authorized service providers are carefully selected and rigorously trained by us.

Warranty

What this limited warranty covers:

The Warranty coverage provided by Forno Appliances in this statement applies exclusively to the original Forno appliance ("Product") sold to the consumer ("Purchaser") by an authorized Forno dealer/distributor/retailer, purchased and installed in the United States or Canada, and which has always remained within the original country of purchase (the United States or Canada). Warranty coverage is activated on the date of the Product's original retail purchase and has a duration of two (2) years. This warranty does not cover installation at the time of purchase or during replacement.

Warranty coverage is non-transferable. In the event of replacement of parts or of the entire product, the replacement Product (or parts) shall assume the remaining original Warranty activated with the original retail purchase document. This Warranty shall not be extended with respect to such replacement. Forno Appliances will repair or replace any component/part which fails or proves defective due to materials and/or workmanship within 2 years of the date of the original retail purchase and under conditions of ordinary residential, non-commercial use. Repair or replacement will be free of charge, including labor at standard rates and shipping expenses. Purchaser is responsible for making the Product reasonably accessible for service. Repair service must be performed by a Forno Authorized Service company during normal working hours.

Important

Retain proof of original purchase to establish warranty period. Forno's liability on any claim of any kind, with respect to the goods and/or services provided, shall in no event exceed the value of the goods or service or part there of which has given rise to the claim.

30-Day Cosmetic Warranty

The Purchaser must inspect the product at the time of delivery. Forno warrants that the Product is free from manufacturing defects in materials and workmanship for a period of thirty (30) days from date of the original retail purchase of the Product.

This coverage includes:

- Paint blemishes
- Chips
- Macroscopic finish defects

Cosmetic warranty does NOT cover:

- Issues resulting from incorrect transport, handling and/or installation (e.g.: dents, broken, warped or deformed structures or components, cracked or otherwise damaged glass components);
- Slight color variations on painted/enamelled components;
- Differences caused by natural or artificial lighting, location or other analogous factors; > stains/corrosion/discoloration caused by external substances and/or environmental factors; > labor costs, display, floor, B-stock, out- of-box, "as is" appliances and demo units.

How to receive service

To receive warranty services, the Purchaser must contact the Forno Support department in order to determine the problem and the required service procedures. Troubleshooting with

a customer service representative will be necessary before moving forward with the service. Model number, serial number and date of original retail purchase will be requested.

Warranty Exclusions: What Is Not Covered.

- Use of the Product in any non-residential, commercial application.
- Use of the Product for anything other than its intended purpose.
- Repair services provided by anyone other than a Forno Authorized Service agency.
- Damages or repair services to correct services provided by unauthorized parties or the use of unauthorized parts.
- Installation not in accordance with local/state/city/county fire codes, electrical codes, gas codes, plumbing codes, building codes, laws or regulations.
- Defects or damage due to improper storage of the Product.
- Defects, damage or missing parts on products sold out of the original factory packaging or from displays. > Service calls or repairs to correct an incorrect installation of the Product and/or related accessories.
- Replacement of parts/service calls to connect, convert or otherwise repair the electrical wiring and/or gas line in order to properly use the product.
- Replacement of parts/service calls to provide instructions and information on the use of the Product.
- Replacement of parts/service calls to correct issues arising from the product being used in a manner other than what is normal and customary for residential use.
- Replacement of parts/service calls due to wear and tear of components such as seals, knobs, pan supports, shelving, cutlery baskets, buttons, touch displays, scratched or broken ceramic-glass tops.
- Replacement of parts/service calls for lack of/improper maintenance, including but not limited to: build up of residues, stains, scratches, discoloration, corrosion.
- Defects and damages arising from accidents, alteration, misuse, abuse or improper installation.
- Defects and damages arising from Product transport, logistics and handling. Inspection of the product must be made at time of delivery. Following receipt and inspection, the selling dealer/delivery company must be notified of any issues arising from handling, transport and logistics.
- Defects and damages arising from external forces beyond the control of Forno Appliances, including but not limited to wind, rain, sand, fires, floods, mudslides, freezing temperatures, excessive moisture or extended exposure to humidity, power surges, lightning, structural failures surrounding the appliance and other acts of God.
- Products whose serial number has been altered/damaged/tampered with. In no case shall Forno be held liable or responsible for damage to surrounding property, including furniture, cabinetry, flooring, panels, and other structures surrounding the Product. Forno is neither liable nor responsible for the Product if it is located in a remote area or an area where certified trained technicians are not reasonably available. Purchaser must bear any transportation and delivery costs of the Product to the nearest Authorized Service Center or the additional travel expenses of a certified trained technician

Warranty (continued)

THERE ARE NO EXPRESS WARRANTIES OTHER THAN THOSE LISTED AND DESCRIBED ABOVE, AND NO WARRANTIES, EITHER EXPRESS OR IMPLIED, INCLUDING, BUT NOT LIMITED TO, ANY IMPLIED WARRANTIES OF MERCHANTABILITY OR FITNESS FOR A PARTICULAR PURPOSE THAT SHALL APPLY AFTER THE EXPRESS WARRANTY PERIODS STATED ABOVE, AND NO OTHER EXPRESS WARRANTY OR GUARANTEE GIVEN BY ANY PERSON, FIRM OR CORPORATION WITH RESPECT TO THIS PRODUCT SHALL BE BINDING ON FORNO. FORNO SHALL NOT BE LIABLE FOR LOSS OF REVENUE OR PROFITS, FAILURE TO REALIZE SAVINGS OR OTHER BENEFITS, TIME AWAY FROM WORK, MEALS, LOSS OF FOOD OR BEVERAGES, TRAVELING OR HOTEL EXPENSES, EXPENSES TO RENT OR PURCHASE APPLIANCES, REMODELING/CONSTRUCTION EXPENSES IN EXCESS OF DIRECT DAMAGES WHICH ARE UNDENIABLY CAUSED EXCLUSIVELY BY FORNO OR ANY OTHER SPECIAL, INCIDENTAL OR CONSEQUENTIAL DAMAGES CAUSED BY THE USE, MISUSE OR INABILITY TO USE THIS PRODUCT, REGARDLESS OF THE LEGAL THEORY ON WHICH THE CLAIM IS BASED, AND EVEN IF FORNO HAS BEEN ADVISED OF THE POSSIBILITY OF SUCH DAMAGES. NOR SHALL RECOVERY OF ANY KIND AGAINST FORNO BE GREATER IN AMOUNT THAN THE PURCHASE PRICE OF THE PRODUCT SOLD BY FORNO AND CAUSING THE ALLEGED DAMAGE. WITHOUT PREJUDICE TO THE FOREGOING, PURCHASER ASSUMES ALL RISK AND LIABILITY FOR LOSS, DAMAGE OR INJURY TO PURCHASER AND PURCHASER'S PROPERTY AND TO OTHERS AND THEIR PROPERTY ARISING FROM THE USE, MISUSE, OR INABILITY TO USE THIS PRODUCT SOLD BY FORNO THAT IS NOT A DIRECT RESULT OF NEGLIGENCE ON THE PART OF FORNO THIS LIMITED WARRANTY SHALL NOT EXTEND TO ANYONE OTHER THAN THE ORIGINAL PURCHASER OF THIS PRODUCT, IS NON-TRANSFERABLE, AND STATES YOUR EXCLUSIVE REMEDY.



WARNING FOR YOUR SAFETY

Your safety and the safety of others are very important.

We have provided many important safety messages in this manual and on your appliance. Always read and obey all safety messages.



This is the safety alert symbol. This symbol alerts you to potential hazards that can kill or hurt you and others. All safety messages will follow the safety alert symbol and either the word “DANGER,” “WARNING” or “CAUTION.” These words mean:



- You can be killed or seriously injured if you don't **immediately** follow instructions.



- You can be killed or seriously injured if you don't follow instructions.



- A potentially hazardous situation which, if not avoided, could result in minor or moderate injury.

All safety messages will tell you what the potential hazard is, tell you how to reduce the chance of injury, and tell you what can happen if the instructions are not followed.



WARNING : This product can expose you to chemicals including [Lead, lead and lead compound, which is [are] known to the state of California to cause cancer and birth defects or other reproductive harm. For more information go to www.P65Warning.ca.gov.



WARNING
FOR YOUR SAFETY

This chapter provides you with important safety notices when handling the device.
The device corresponds with the required safety regulations. Improper use can result in personal or property damages.
Please read the information contained herein so that you can become familiar with your device quickly and take advantage of the full scope of its functions.



WARNING

A warning notice of this level of danger indicates a possible dangerous situation.
If the dangerous situation is not avoided, this can lead to serious injuries.
► Observe the instructions in this warning notice in order to avoid the personal injuries.



WARNING

A warning notice of this level of danger indicates a possible dangerous situation.
If the dangerous situation is not avoided, this can lead to slight or moderate injuries.
► Observe the instructions in this warning notice in order to avoid the personal injuries.

PLEASE NOTE

A notice of this kind indicates additional information, which will simplify the handling of the machine

1. The earth wire has been connected to the power plug, please do not alter the power plug without authorization. It must use a reliable power outlet when connecting the power supply.
2. Do not put the power socket and other equipment on the top of the unit, do not put packaging and any combustible around the unit, so as to avoid accidental fire.
3. Do not operate this device if its power cable or plug is damaged, if it does not work properly or if it is damaged or has been dropped. If the power cable is damaged, it will need to be replaced by the manufacturer or his service agency or a similar qualified person, to avoid any dangers.
4. Do not open the housing on the device under any circumstances. There is a danger of an electrical shock if live connections are touched and the electrical or mechanical structure is altered. In addition, functional faults on the device can also occur.
5. The equipment must be maintained by professional maintenance personnel, there is no repair parts inside the unit.
6. Used product need to be recycled by specialized companies, do not arbitrarily discarded. The door and shelf need to be disassembled before discard.
7. Please use the product at the appropriate ambient temperature according to the climate type on the product nameplate. Abnormal temperature and frost may occur when the temperature range of the corresponding climate type is exceeded.

SN	+10° C~+32° C (+50° F~89° F)
N	+16° C~+32° C (+61° F~89° F)
ST	+16° C~+38° C (+61° F~100° F)
T	+16° C~+43° C (+61° F~109° F)
SN-ST	+10° C~+38° C (+50° F~100° F)
SN-T	+10° C~+43° C (+50° F~109° F)

Important Safety Instructions

- This appliance couldn't share a socket with other appliance, otherwise, it is easy to cause short circuit or damage the electronic components.
- Do not squeeze the power plug, it will cause fire or electric shock if it is damage.
- Ensure the grounding wires connect correctly. If ignore this, it will has the possibility to cause the receiving an electric shock accident or equipment failure.
- Do not damage, prick, twisting, stretching the power cord, it may result in fire or electric leakage if the power cord is damaged.
- Cannot lengthen the power cord without authorization, otherwise, it is easy to cause short circuit or damage the electronic components.
- Before changing the inner light, turn off the appliance first and then unplug the unit from the wall outlet.
- Check the plug whether has dust or foreign matter, then, plug in firmly.
- Clean the dust on the plug regularly to reduce the possibility of fire.
- Before cleaning, switch the device off, remove the plug from the wall socket and keep the hand dry.
- Do not put the foreign matter into the compressor room cover, otherwise, this can lead to electric shock or other injuries.

WARNING

The equipment must be maintained by professional maintenance personnel, otherwise, it may cause injury, electric shock or fire and will loss of warranty.

Do not climb the cabinet, otherwise, the equipment will overturned, especially keep it away from children.

WARNING

Do not place heavy objects on the top of the cabinet, or they may fall off when the device is opened and causing injury.

Never use the device to store flammable materials, such as benzene, ether, alcohol. Otherwise, there could be an explosion.

Do not store the objects which is sensitive to temperature changes, such as medications or chemicals, otherwise, deterioration or accident may occur.

Do not put vases, glassware or any container with liquid on the top of equipment, it might cause electrical leakage or other damage when the liquid splashed on electronics.

Do not use flammable sprays around the equipment. Sparks from electrical or control circuits may cause a fire or explosion.

Do not pour the liquid directly onto the device when cleaning. Liquid can cause the equipment short circuit or electricity leakage, even fire.

Keep the equipment away from the open flame and high temperature place.

The equipment is only allowed to be used as household appliances and cannot withstand harsh conditions and can't install on recreational vehicles or ships.

Do not touch the equipment or power cord if you found gas leakage, evacuate immediately and call fire department on your

cell phone.

Ensure that your old device is stored safely away from children until it is taken away. Before you throw away your old refrigerator take off the doors and leave the shelves in place, so that children may not easily climb inside.

WARNING

WARNING: Keep ventilation openings, in the appliance enclosure or in the built-in structure, clear of obstruction.

WARNING: Do not use mechanical devices or those methods which recommend by other manufacturers to accelerate the defrosting process

WARNING: Do not damage the refrigerant circuit.

WARNING: Do not use electrical appliances inside the equipment, unless they are of the type recommended by the manufacturer

The refrigerant and insulation used in this equipment need to go through a special treatment process, so please consult the service agent or relevant professional when discard.

This product contains a small amount of isobutene (R600a), which is a combustible gas that can work in a variety of environments. Do not destroy any components of the cooling circuit during transportation and installation of the machine.

The refrigerant spewing out of the pipe can burn or cause eye damage. If leaks are found, eliminate open fires or potential sources, and ventilate the room in which the unit is located.

To prevent the formation of flammable gas mixtures in the event of a cooling loop leak, the size of room which place the equipment should be determined according to the amount of refrigerant.

Each 8g of R600a refrigerant need one square meter of space. The amount of refrigerant can be checked on the rating label. Do not start the machine when the product has any signs of damage. Any questions, please consult your dealer.

ATTENTION

- Grasp plug and pull out from the socket when pull out the power plug, never pull the power cord.
- If you do not use the equipment for a fairly long period of time, you should pull out the plug, remove all the shelves , clean the equipment thoroughly and keep the door open for 48 hours.
- Do not operate this device if its power cable or plug is damaged, if it does not work properly or if it is damaged or has been dropped. If the power cable is damaged, it will need to be replaced by the manufacturer or his service agency or a similar qualified person, to avoid any dangers.
- Do not place the equipment where it can collide with furniture or other objects.
- Do not put your hand to the metal base which is under the equipment, otherwise, the sharp edges on the metal base may cause harm to you.
- Transport, unpack and use two or four persons to set down the device because of the heavy weight of the device. Be sure to move the equipment vertically.

Before You Begin

INSTALLERS - Start Here

Safety Instructions are on pages 4 and 5 and Installation Instructions are on pages 9 to 16.

Please perform these steps:

1. Read the safety instructions.
2. Read all instructions in the Installation section of this manual BEFORE installing the range hood.
3. Remove all packing materials.
4. When finished, make sure to leave these instructions with the consumer.
5. Installation is to be done by a qualified technician only. However, the ultimate responsibility for proper installation falls to the owner.
6. Product failure due to improper installation is not covered under the Warranty.



CONSUMERS - Start Here

Safety Instructions are on pages 4 and 5 and Operating Instructions are on pages 17 and 18.

Please perform these steps:

1. Read the safety instructions.
2. Read all instructions in the manual BEFORE operating the range hood.
3. Remove all packing materials.
4. Installation is to be done by a qualified technician only. However, the ultimate responsibility for proper installation falls to the owner.
5. Product failure due to improper installation is not covered under the Warranty.

Table of Contents

Before You Begin.....	2
Table of Contents	3
Important Safety Information	4
Included Parts.....	6
Range Hood Dimensions	7
Specifications.....	7
Mounting Brackets.....	8
Installation.....	9
Step 1 - Read the Safety Instructions.....	9
Step 2 - Unpack Range Hood and Prepare Tools.....	9
Step 3 - Plan Desired Location	9
Step 4 - Test Unit Functions	9
Step 5 - Venting Installation Guidelines	10
Step 6 - Preparations	12
Step 7 - Installation Process.....	12
Step 8 - Plug-in.....	16
Step 9 - Install Oil Cup.....	17
Step 10 - Install Filters	17
Operation	18
Carbon Filter Life time Suggestion & Installation	20
Maintenance.....	21
Cleaning Filters	21
Cleaning Oil Cup.....	21
Replacing the Light	21
Troubleshooting.....	22
Use and Care Information	23

Important Safety Information

READ ALL INSTRUCTIONS BEFORE USE

Read and follow all instructions before using the range hood to prevent the risk of fire, electric shock, personal injury, or damage when using the range hood or appliances with the range hood. This guide does not cover all possible conditions that may occur. Always contact your service technician or manufacturer about problems that you do not understand.

- The installation in this manual is intended for qualified installers, service technicians or persons with a similar qualified background. Installation must be done by qualified professionals and in accordance with all applicable codes and standards, including fire-rated construction.
- The range hood may have very sharp edges; please wear protective gloves if it is necessary to remove any parts for installing, cleaning or servicing.
- Activating any switch to ON position before completing installation may cause damage or electric shock.
- Due to the size of this range hood, a two-person installation is recommended.

To reduce the risk of fire, electric shock, or injury to persons:

- For general ventilating use only. **DO NOT** use to exhaust hazardous or explosive materials and vapours.
- **WARNING:** To Reduce The Risk Of Fire Or Electric Shock, Do Not Use This Fan With Any Solid-State Speed Control Device.
- The combustion air flow needed for safe operation of fuel-burning equipment may be affected by this unit's operation. Follow the heating equipment manufacturer's guideline and safety standards such as those published by the National Fire Protection Association (NFPA), and the American Society of Heating, Refrigeration and Air Conditioning Engineers (ASHRAE), and other local code authorities.
- Before servicing or cleaning the unit, switch power off at service panel and lock the service

disconnecting means to prevent power from being switched on accidentally. When the service disconnecting means cannot be locked, securely fasten a prominent warning device, such as a tag, to the service panel.

- Clean grease-laden surfaces frequently. To optimize performance and to disperse air properly, make sure to vent air outside. **DO NOT** vent exhaust into spaces between walls, crawl spaces, ceilings, attics or garages.
- Ducted fans **MUST** always be vented to the outdoors.
- This unit **MUST** be grounded and used with metal ductwork only.
- Sufficient air is needed for proper combustion and exhausting of gases through the duct to prevent back drafting.
- When cutting or drilling into wall or ceiling, be careful not to damage electrical wiring or other hidden utilities.
- All electrical wiring must be properly installed, insulated and grounded.
- Old ductwork should be cleaned or replaced if necessary to avoid the possibility of a grease fire.
- Check all joints on ductwork to ensure proper connection; all joints should be properly taped using a certified aluminum or foil tape.
- Use this unit only in the manner intended by the manufacturer. If you have questions, contact the vendor.

READ AND SAVE THESE INSTRUCTIONS

Important Safety Information

WARNING: TO REDUCE RISK OF A RANGE TOP GREASE FIRE:

- a) Never leave surface units unattended at high settings. Boilovers cause smoking and greasy spillovers that may ignite. Heat oils slowly on low or medium settings.
- b) Always turn range hood ON when cooking at high heat or when flambéing food (i.e. Crepes Suzette, Cherries Jubilee, etc.).
- c) Clean ventilating fans frequently. Grease should not be allowed to accumulate on fan or filter. Before servicing or cleaning unit, unplug and disconnect the hood from the power supply.
- d) Use proper pan size. Always use cookware appropriate for the size of the surface element.

READ AND SAVE THESE INSTRUCTIONS

WARNING: TO REDUCE RISK OF INJURY TO PERSONS IN THE EVENT OF A RANGE TOP GREASE FIRE, OBSERVE THE FOLLOWING *

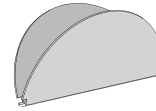
- a) SMOTHER FLAMES with a close-fitting lid, cookie sheet, or metal tray, then turn off the burner. BE CAREFUL TO PREVENT BURNS. If the flames do not go out immediately, EVACUATE AND CALL THE FIRE DEPARTMENT.
- b) NEVER PICK UP A FLAMING PAN - You may be burned.
- c) DO NOT USE WATER, including wet dishcloths or towels - a violent steam explosion will result.
- d) Use an extinguisher ONLY if:
 - 1) You know you have a Class A, B, C extinguisher, and you already know how to operate it.
 - 2) The fire is small and contained in the area where it is started.
 - 3) The fire department is being called.
 - 4) You can fight the fire with your back to an exit.

* Based on "Kitchen Fire Safety Tips" published by NFPA

Included Parts



Main Unit



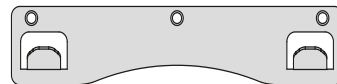
Damper flap (2 sets - 4 pcs)



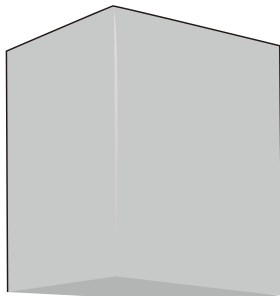
Upper Chimney Bracket (1 pc)



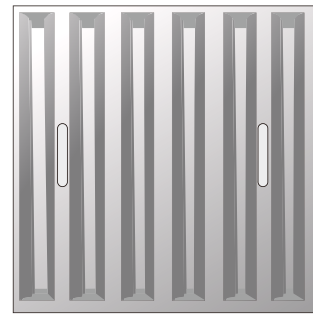
Lower Chimney Bracket (1 pc)



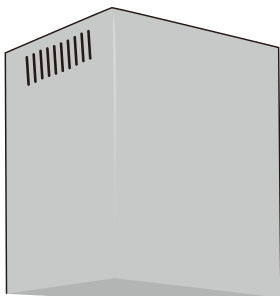
Hood Mounting Bracket (1pc)



Lower Chimney (1 pc)



3 Filters



Upper Chimney (1 pc)



St4x16 (8 pcs)



St4x30 (9 pcs)



φ 8x35 (9 pcs)



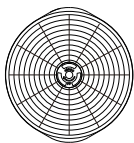
St3x10 (2 pcs)



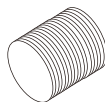
"S" shape hook (8 pcs)



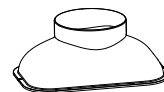
Oil Cup (1 pc)



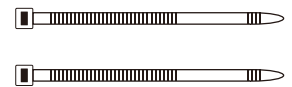
Carbon filter (4 pcs)



Flexible Pipe (1 pc)

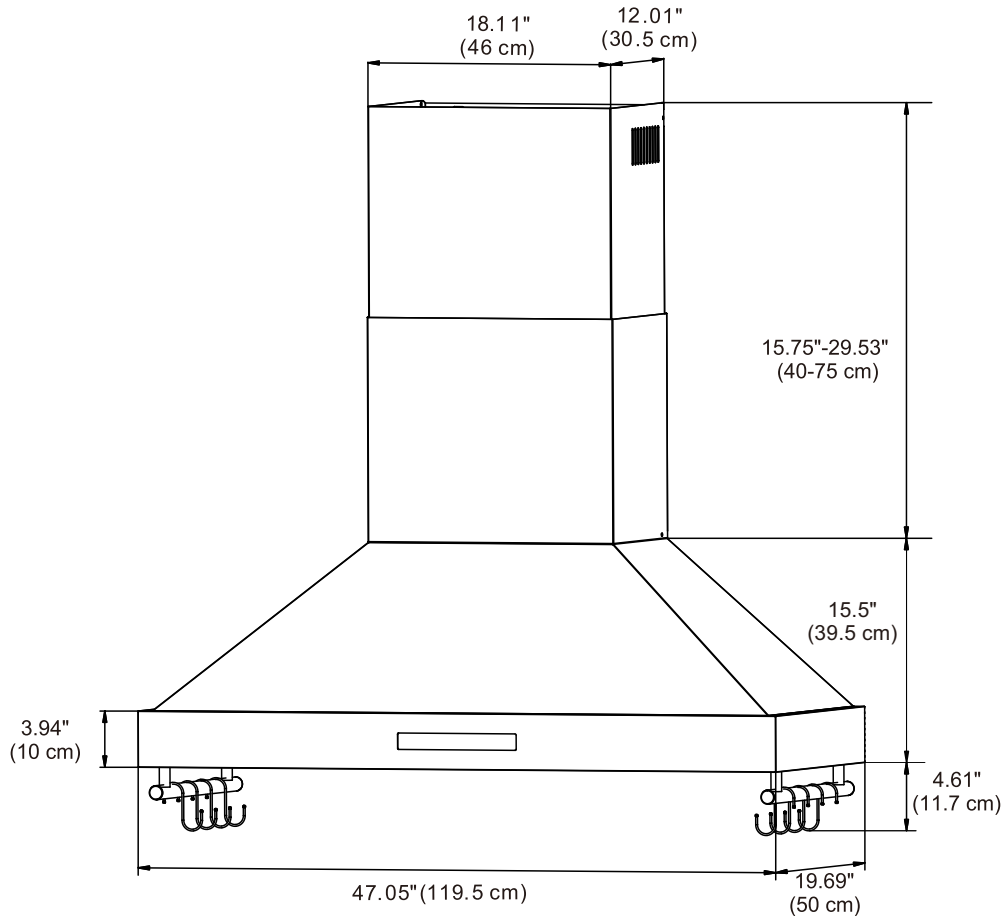


Top Outlet (1 pc)



Plastic Cable Tie (2 pcs)

Range Hood Dimensions

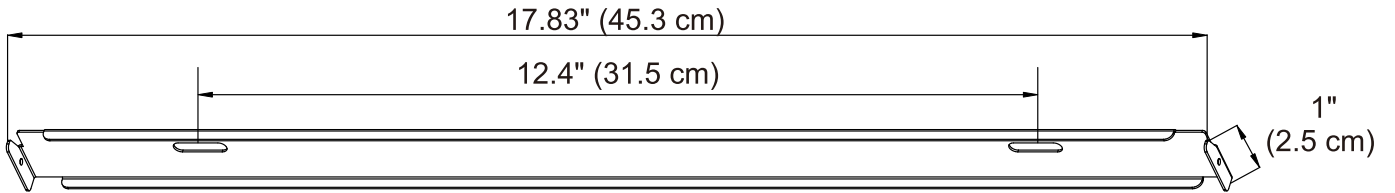


Specifications

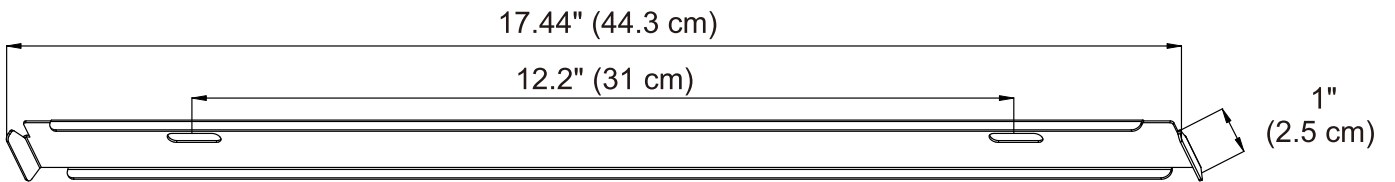
Body Design	Wall Mount
Power Rating	110-120V/60Hz
Total Input Power	766 W (2 x 380 W + 4 x 1.5 W)
Motor Input Power	2 x 380 W
Input Current	6.9 A
Speed Control Levels	3 speeds
Motors	Double Motor
Controls	Touch control panel with gesture control
Filtration	Stainless Steel Baffle Filter
Lighting	4 x 1.5 W LED
Light Intensity Levels	1
Venting Size	Top, 7.48 inches (190mm) round

Mounting Brackets

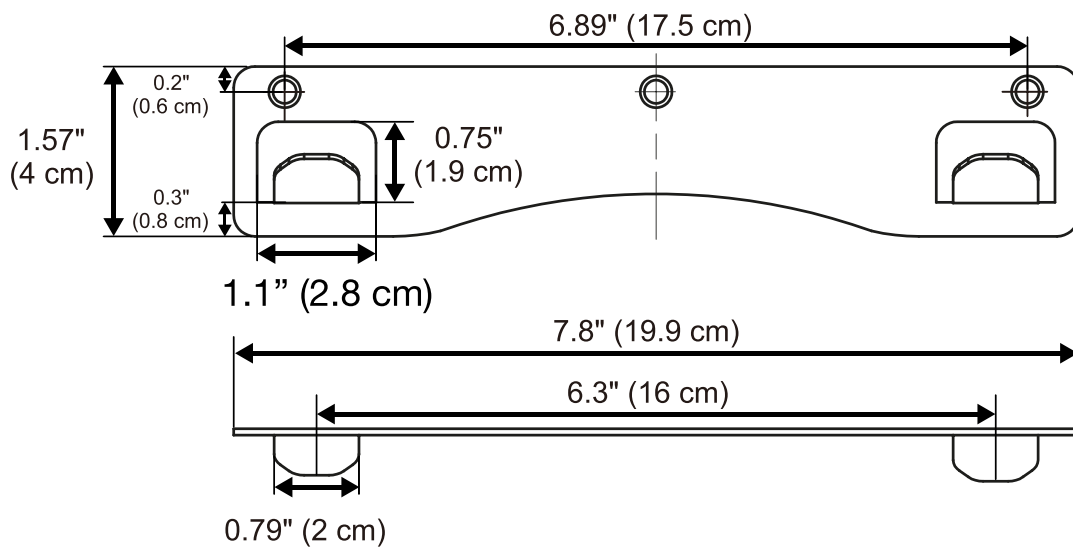
Upper Chimney Bracket



Lower Chimney Bracket



Mounting Bracket Hook



Installation

STEP 1

Read the Safety Instructions

- It is very important to read the safety instructions on pages 4 and 5.

IMPORTANT: It is the installer's responsibility to comply with installation clearances.

STEP 2

Unpack Range Hood and Prepare Tools

- Carefully unpack the range hood and parts. Make sure all parts are included as shown on page 6.
 - Consult a qualified and trained installer or check local codes for makeup air requirement, if any.
-

STEP 3

Plan Desired Location

- Plan a desirable location that fits all requirements in the Safety and Installation sections of this manual. Plan where and how the ductwork will be installed.
 - A straight or short duct run will allow the unit to perform most efficiently. Long duct runs, elbows and transitions will reduce the performance of the unit. Each elbow is equivalent to 5 to 10 feet (1.5 m to 3 m) of straight run. Proper size duct work should be 6 in. (15.3 cm) in diameter.
-

STEP 4

Test Unit Functions

- Plug the unit in and test all of the functions before installing.
- Place the range hood on a flat, stable surface. Connect the range hood to a designated standard outlet (120-Volt, 60Hz, AC only) and turn on the range hood. Verify all operations of the range hood by referring to *Range Hood Operations*.
- Turn power On in control panel.
- Check all lights and fan operations.

WARNINGS:

- Please make sure to read ALL safety instructions on pages 4 and 5.
- Use two or more people to move and install range hood.
- Failure to follow these instructions can result in serious injury.

Installation

STEP 5

Venting Installation Guidelines

- The following steps are for exterior ventilation.

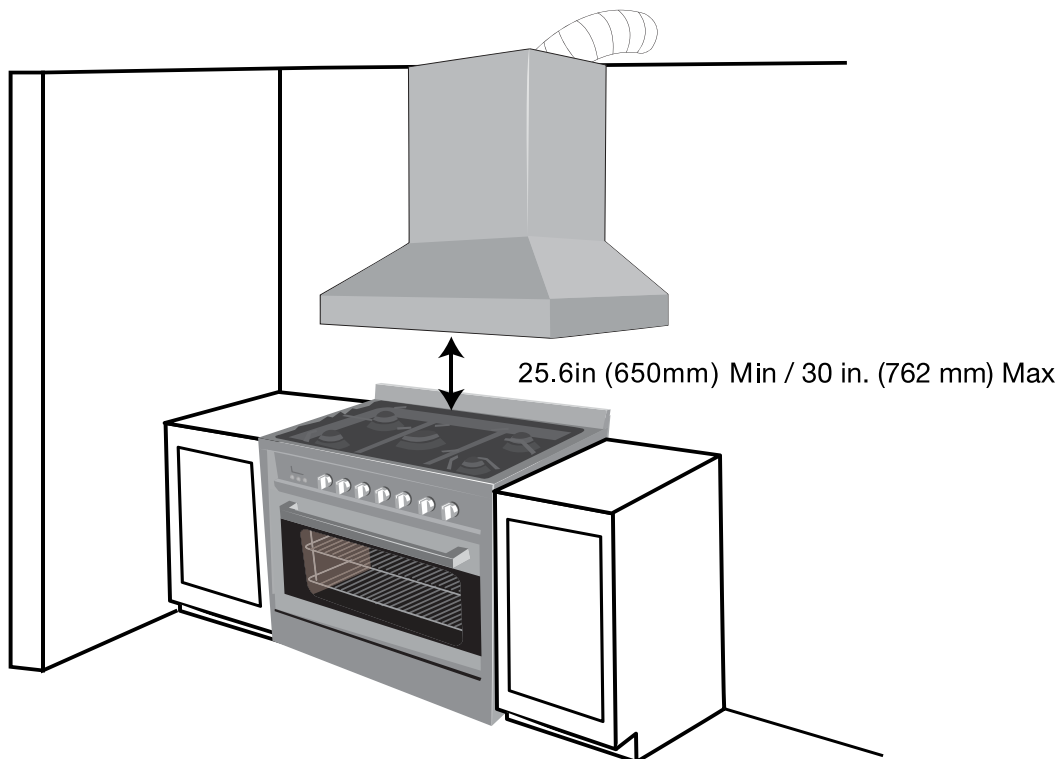
IMPORTANT:

- Vent system must terminate to the outside (roof or side wall).
- DO NOT terminate the vent system in an attic or other enclosed area.
- DO NOT use 4 in (10.2 cm) laundry-type wall caps.
- Use metal/aluminum vent only. A rigid metal/aluminum vent is recommended.
- DO NOT use a plastic vent.
- Always keep the duct clean to ensure proper airflow.
- Calculate the following figures before installation:
 1. Distance from the floor to the ceiling
 2. Distance between the floor and the countertop/stove
 3. A distance of 25.6 in to 30 in (65 cm to 76.2 cm) is recommended between stove top and the bottom of range hood. 30 in (76.2 cm) minimum is required for gas stove tops.
 4. Height of hood and duct cover.

For the most efficient and quiet operation:

- It is recommended that the range hood be vented vertically through the roof through 6 in. (15.3 cm) round, or through the roof or wall 3.15 × 9.92 in. (8 cm × 25.2 cm) rectangular duct or bigger metal/aluminum vent work.
- The size of the vent should be uniform.
- Use no more than three 90° elbows.
- Make sure there is a minimum of 25.6 in. (65 cm) of straight vent between the elbows if more than one elbow is used.
- DO NOT install two elbows together.
- The length of vent system and number of elbows should be kept to a minimum to provide efficient performance.
- The vent system must have a damper. If roof or wall cap has a damper, you may remove damper flaps from damper to increase air flow.
- Only one flange is needed in the air duct system, either on top of the motor or outside.
- Use silver tape or duct tape to seal all joints in the vent system.
- Use caulking to seal exterior wall or roof opening around the cap.

Height and Clearance





Installation

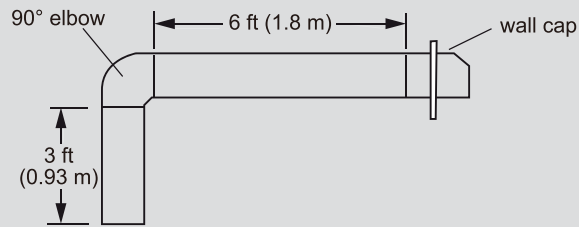
IMPORTANT:

Calculating Duct System Length

- The recommended duct system is 6" (15.2 cm) round duct with a maximum length of 35 ft (10.7 m). For the best performance, use no more than three 90° elbows.
- To calculate the length of the system you need, add the equivalent feet (meters) for each duct piece used in the system.

Duct Piece	6" (15.2 cm) Round	
90° elbow	2.5 ft (0.8 m)	
90° elbow	5.0 ft (1.5 m)	
Maximum equivalent duct length is 35 ft (10.7 m).		

Example Duct System - 6" (15.2 cm)

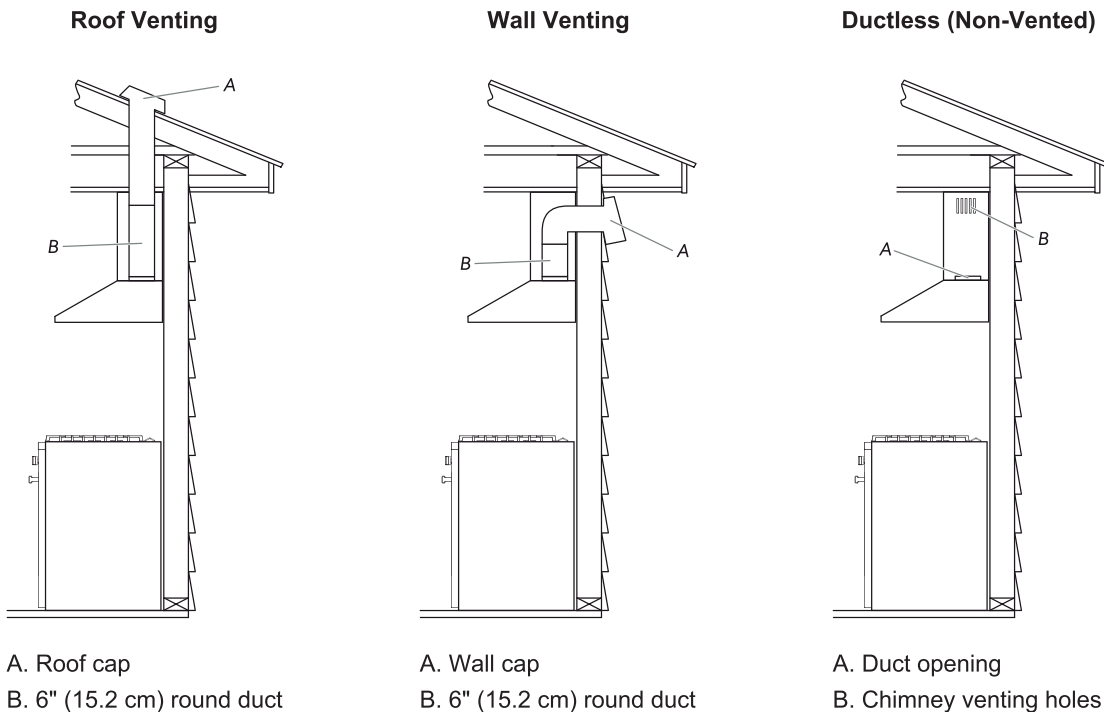


Maximum length	= 35 ft (10.7 m)
1 - 90° elbow	= 5.0 ft (1.5 m)
1 - wall cap	= 0.0 ft (0.0 m)
6 ft (1.8 m) straight	= 6.0 ft (1.8 m)
3 ft (0.9 m) straight	= 3.0 ft (0.9 m)
System length	= 14.0 ft (4.3 m)

- Vent work can terminate either through the roof or wall. To vent through a wall, a 90° elbow is needed.

Venting Methods

- This range hood is factory set for venting through the roof or through the wall. The exhaust opening is 6" (15.2 cm) round. A 6" (15.2 cm) round duct system is recommended. The duct system needed for installation is not included.
- If it is not possible to vent cooking fumes and vapors to the outside, the range hood can be used in the ductless (recirculating) version, using the charcoal filters kit.



Installation

STEP 6 Preparations

NOTE: To avoid damage to your hood, prevent debris from entering the vent opening.

- Determine and mark the center line on the ceiling or wall where the range hood will be installed.
- Make sure there is proper clearance within the ceiling or wall for exhaust vent.
- Due to the weight and size of this unit, please make sure that the support system or framework being used is stable and secure in the ceiling or wall.
- Put a thick, protective covering over countertop, cooktop or range to protect from damage or dirt.
- Remove any hazardous objects around the area when installing.



CAUTION

If moving the cooking range is necessary to install the hood, turn **OFF** the power on an electric range at the main electrical box. **SHUT OFF THE GAS BEFORE MOVING A GAS RANGE.**

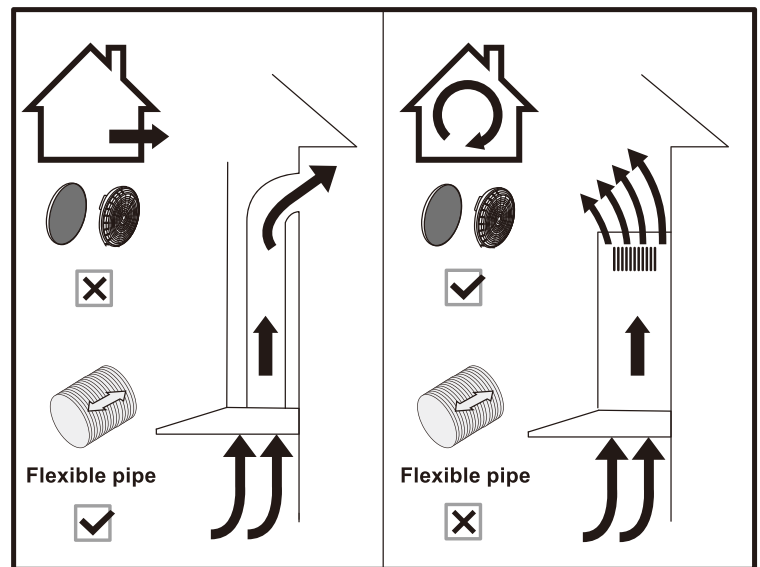
STEP 7 Installation Process

- You can choose two types of installation:
 - Ducted option
 - Recirculation option



Warning

Beware of any sharp edge of metal plates, wear suitable protective gloves when handling the product.

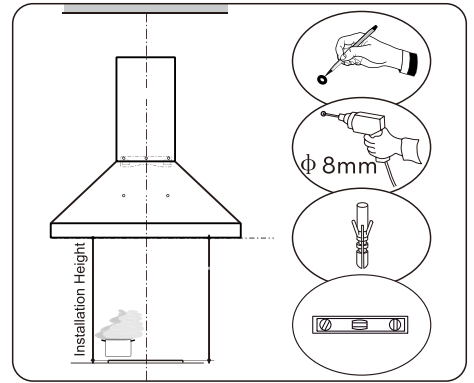


DUCTED OPTION

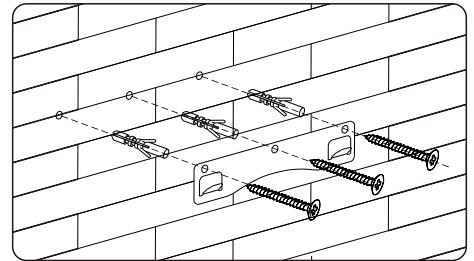
RECIRCULATION OPTION

Installation

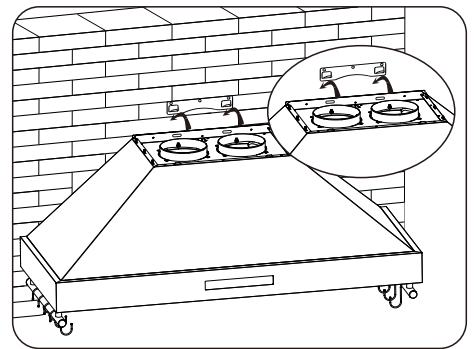
- Prepare pencil, electric drill, plastic wall anchors and level before installation.
Recommended installation height: 30 in.(762mm)
Required minimum installation height: 25.6in. (650mm)



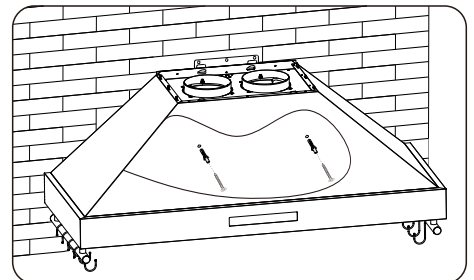
- Drill 3 x 8mm holes to accommodate the bracket.
Screw and tighten the hook onto the wall with the screws & plastic wall anchors provided.



- Lift the range hood and hang onto the wall hook.



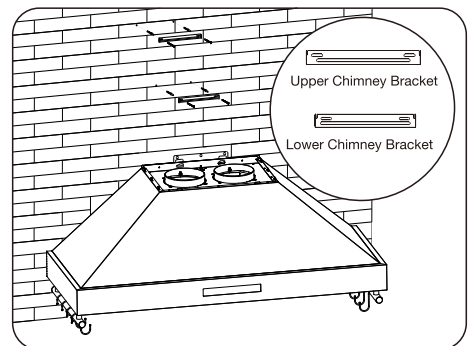
- Need to drill 2x8mm extra holes & fixing screws & plastic wall anchors before installation.



- Mark the position and drill 2 holes for each chimney bracket and tighten the bracket with screws.

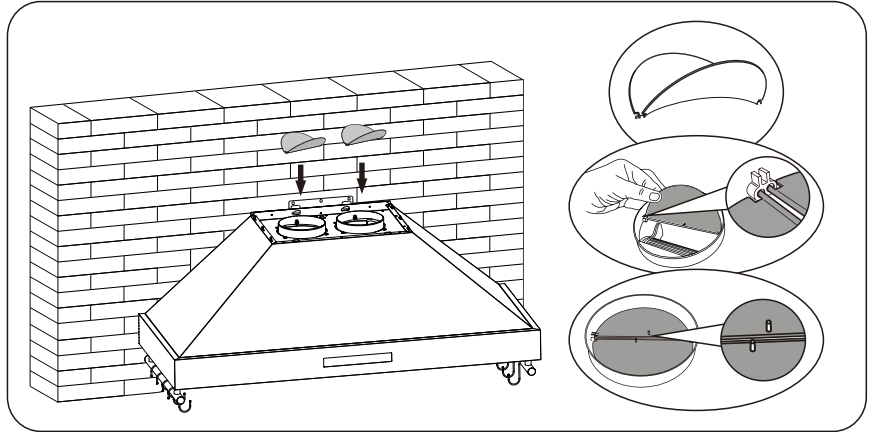


The longer bracket is upper chimney bracket.

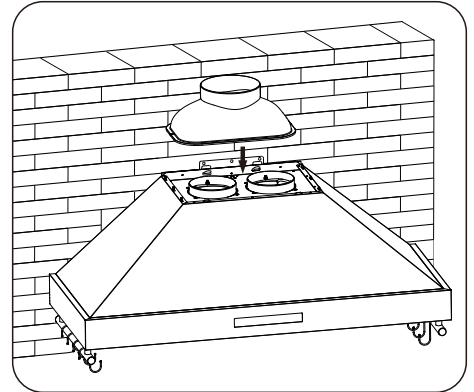


Installation

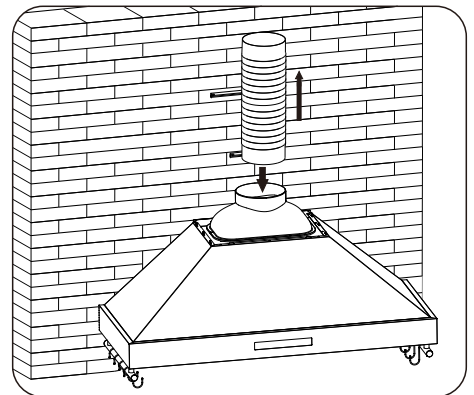
- ① Gently flex the flaps to achieve minor curvature, then carefully insert it into the holes.
- ② Please note that the bumps on the flaps should face upwards.



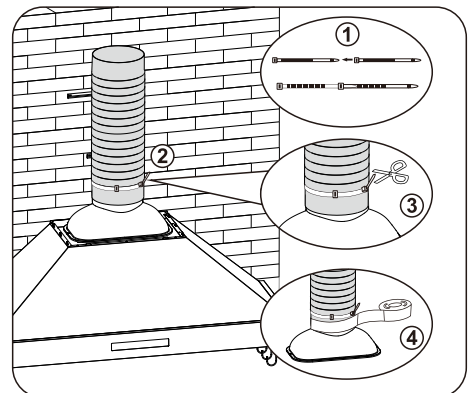
- Install the top outlet with 6pc of ST4*16 screws.



- Install the damper flag to the air outlet of the range hood. Install the top outlet with 6pc of ST4*16 screws, and then attached the pipe onto the air outlet as picture.

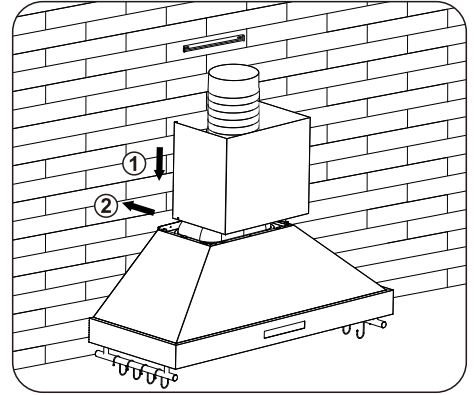


- ① Take two plastic cable ties and join them together.
- ② Wrap the connected tie around the flexible part of the duct, then pull it tightly until secure and unlikely to loosen.
- ③ Trim off the excess.
- ④ Tape all joints with foil tape if necessary. The foil tape is not provided, please prepare additionally. (Ventilation)

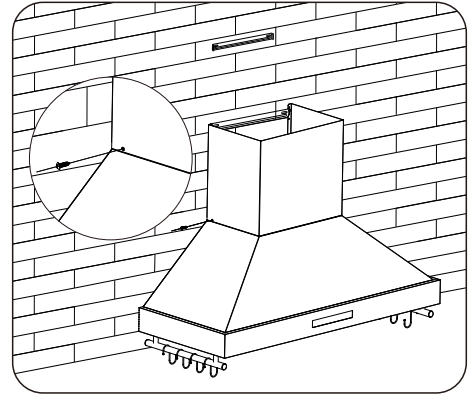


Installation

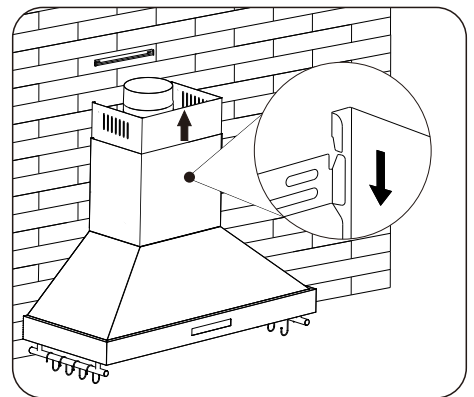
- ① Put the chimney cover on the top panel and avoid the buckle position.
- ② Then to push in the chimney cover and make sure the buckle lock well with the chimney cover.



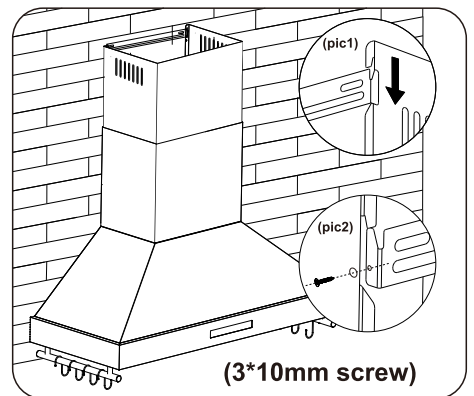
- After locked well the chimney cover, fix the cover with 2pcs ST4*16 screws.



- Put the upper chimney into lower chimney . Then pulling out the upper chimney upwards. Adjust to reach the height required.



- There are 2 methods for installing the chimney cover. Please check the below pic for reference.
 1. After drilling the 2 holes and fixing the bracket, hang the chimney cover by matching the both side lock.(Pic1)
 2. After drilling the 2 holes and fixing the bracket, install the chimney cover by locking with 2 screws in both side holes.(Pic2)

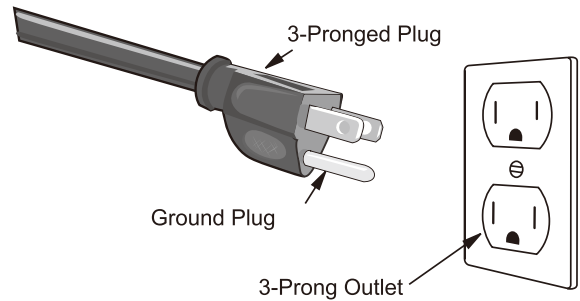
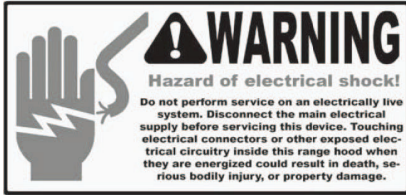


Installation

STEP 8

Plug-in

- Connect 3-prong grounded plug into a 3-prong grounded outlet (120V, 60Hz).
- SEE IMPORTANT INSTRUCTIONS.



IMPORTANT:

- Observe all governing codes and ordinances.
- **It is the customer's responsibility to contact a qualified electrical installer.**
- If codes permit and a separate ground wire is used, it is recommended that a qualified electrician determine that the ground path is adequate. A 120-Volt, 60 Hz, AC-only, fused electrical supply is required on a separate 15-amp circuit, fused on both sides of the line.
- DO NOT ground to a gas pipe.
- Check with a qualified electrician if you are not sure that the range hood is properly grounded.
- DO NOT have a fuse in the neutral or ground circuit.

IMPORTANT: Save this Installation Guide for electrical inspector's use.

GROUNDING INSTRUCTIONS:

- This appliance must be grounded. In the event of an electrical short-circuit, grounding reduces the risk of electric shock by providing an escape wire for the electric current.
- This appliance is equipped with a cord having a grounding wire with a grounding plug. The plug must be plugged into an outlet that is properly installed and grounded.

WARNING: Improper grounding can result in a risk of electric shock.

- Consult a qualified electrician if the grounding instructions are not completely understood, or if doubt exists as to whether the appliance is properly grounded. DO NOT use an extension cord. If the power supply cord is too short, have a qualified electrician install an outlet near the appliance.

Installation

STEP 9

Install Oil Cup

Your range hood includes a unique oil cup which collects the oil that is deposited on the grease filters. **When the oil cup is about 1/3 full, the oil cup needs to be cleaned.**

- Discard the oil before cleaning/washing the cup.
- Ensure the cup has been cleaned and dried before reattaching to the hood.
- Angle and insert the oil cup on the rear end of the unit, and push into place (see Figure 7).

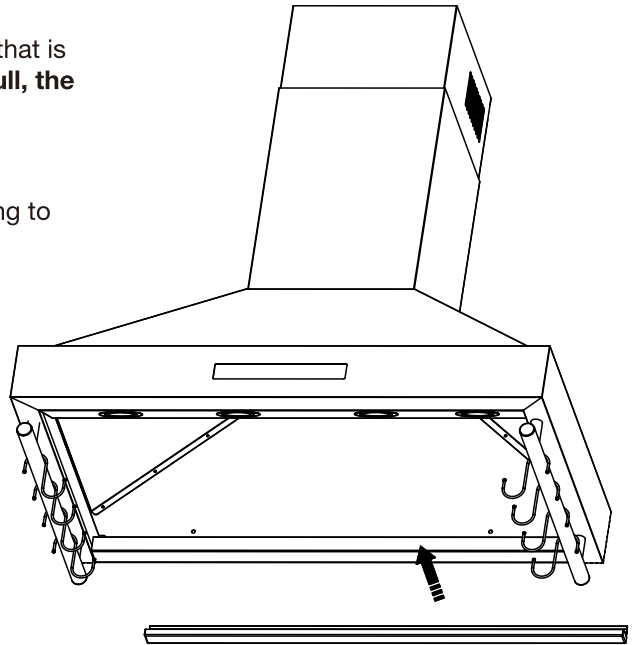


Figure 7

STEP 10

Install Filters

- Angle and insert one end of the filter into the upper channel of the range hood (Figure 8).
- Raise the other end towards the inside of range hood, rotate and insert in the bottom end of opening (Figure 9 and 10).
- Release the handle once the filter fits into a resting position.
- Repeat to install all filters.



Figure 8

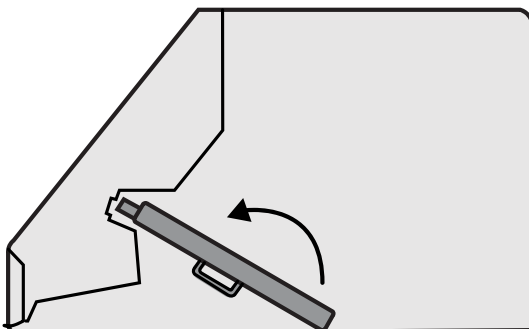


Figure 9

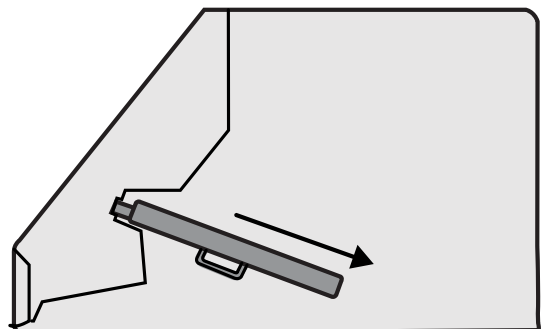
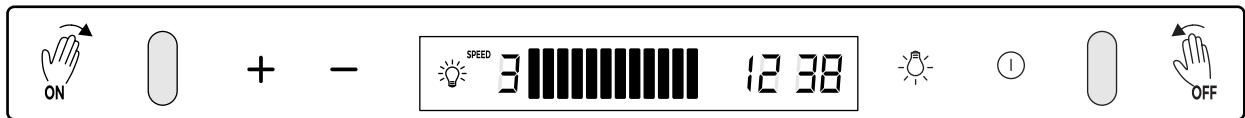


Figure 10

Operation



ON/OFF Button

- To turn the range hood on, press the ON/OFF button. The range hood will enter standby mode. If after 1 minute an operation is not selected, the range hood will automatically turn off.
 - To turn the range hood off, press the ON/OFF button.
- When the range hood is operational, pressing the ON/OFF button once, default delays the turn-off time is 5 minutes. (If gesture function activated, the default delay time will change to 3 minutes.)
 - Pressing the ON/OFF button again thereafter will turn the range hood off immediately

Light Control

Press the Light Control function to turn the light ON or OFF.

Clock Function

When the range hood is turned off, hold the LIGHT button for 3 seconds until all the indicators begin to blink.

- Press the +/- button to cycle through and adjust the hour setting.
- Once done, press the LIGHT button again to access the minute setting, and then press either the +/- buttons to cycle through and adjust the minute setting.

Once complete, press the LIGHT button to complete the changes. If after 10 seconds there is no button or operation selected, the settings will save automatically.

Please note that the time setting only displays in a 12-hour format. It cannot display in a 24-hour format.

Delayed Shutdown:

When the range hood is off, long press the ON button for 3 seconds. The display will blink and show 5:00.

- The default delayed shutdown time is 5 minutes.
- To change the delay time, simply press the +/- buttons to adjust the shutdown time as necessary (Between 1-60 minutes).

▲ Please noted: No matter what delay time you set or default delay time is, if gesture function activated, default delay time will change to 3 minutes.)

- **Gesture Function**

1. When the range hood is turned off, wave from left to right for the first time, and the range hood will turn on start operating at the lowest speed with the lights on.
 2. Waving again will increase the speed
 3. When the motor is running at its highest speed, waving from left to right will cycle through and return the hood back to the lowest speed setting.
 - a. If the range hood is already on and you wave from left to right, the range hood will continue to increase the speed and continue to cycle through speeds 1,2,3 as you continue to wave from left to right.
 4. When the range hood is on, waving from right to left will turn on the 3-minute delay shutdown, and the range hood turn off once the 3-minute countdown has been completed.
 - a. Waving again immediately from right to left will turn off the range hood immediately without waiting for the 3-minute countdown.
 5. Waving from right to left when the range hood is turned off will have no function
- Please note that the distance the hand should be waved from the switch is around 4-6"(11-15cm).

- **Selecting speed**

- 3- Highest Speed Setting
- 2-Medium Speed Setting
- 1-Lowest Speed Setting

When the range hood is on standby mode, press the - button will have the range hood be set to run at the lowest speed.

1. When the range hood is running, press the + button to increase the speed
2. When the range hood is running, press the - button to decrease the speed.

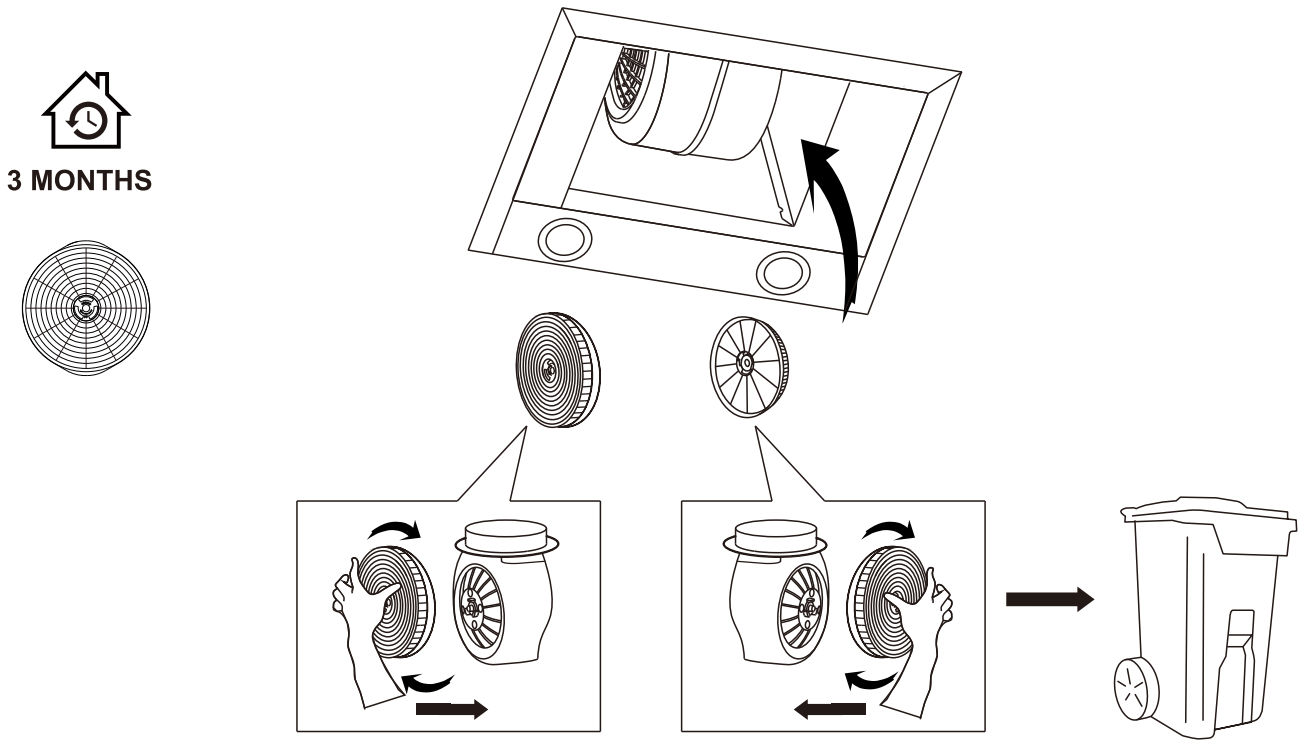
Carbon Filter Life time Suggestion & Installation

Charcoal filter life time:

- Suggest changing to new one every 3 months (According to different kitchen condition, the life time of carbon filter might be longer or shorter than 3 months).

• Installation:

Fix carbon filter into the unit and turn it in as below picture shows. Repeat the same on the other side.



Important Notice:

1. Make sure the filter is securely locked. Otherwise, it would loosen and cause abnormal noise and danger.
2. Using charcoal filter would reduce the air flow of the range hood.

Maintenance

Cleaning Filters

IMPORTANT: Drain oil from baffles, spacers, filters, oil tunnels, oil containers before oil and residue overflow!

- Remove all baffles, spacers, filters, grease tray, and oil containers and discard oil and residue.
- Wash with warm soapy water. NOTE: Stainless steel baffles are dishwasher safe.
- Dry thoroughly before replacing and follow directions for installation in reverse.
- Filters should be cleaned after every 30 days of use.
- Should filters wear out due to age and prolonged use, replace with a new filter.

Cleaning Oil Cup

- Remove the oil cup, by slightly pulling the oil cup forwards to release it from the range hood.
- Discard the oil before cleaning/washing the cup.
- Ensure the cup has been cleaned and dried before reattaching to the hood.

Replacing the Light

! **IMPORTANT:**
ALWAYS SWITCH OFF THE ELECTRICITY SUPPLY AT THE MAIN PANEL BEFORE CARRYING OUT ANY OPERATION ON THE APPLIANCE.

- 1** Make sure the range hood is unplugged or turn OFF breaker.
- 2** Remove filters. Reach into interior of range hood until reaching clip located on the side of the light. Gently squeeze and push down until light pops out from its location, pull out the LED light and unplug it.
- 3** Replace with appropriate LED light. Plug in new light and push back into light panel.
- 4** Turn ON breaker and range hood to test for operation.

! **CAUTION: LIGHT MAY BE HOT, PLEASE TAKE OUT THE LIGHT WHEN THE LIGHT IS COMPLETELY COOL!**

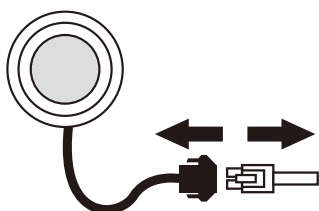


Figure 11

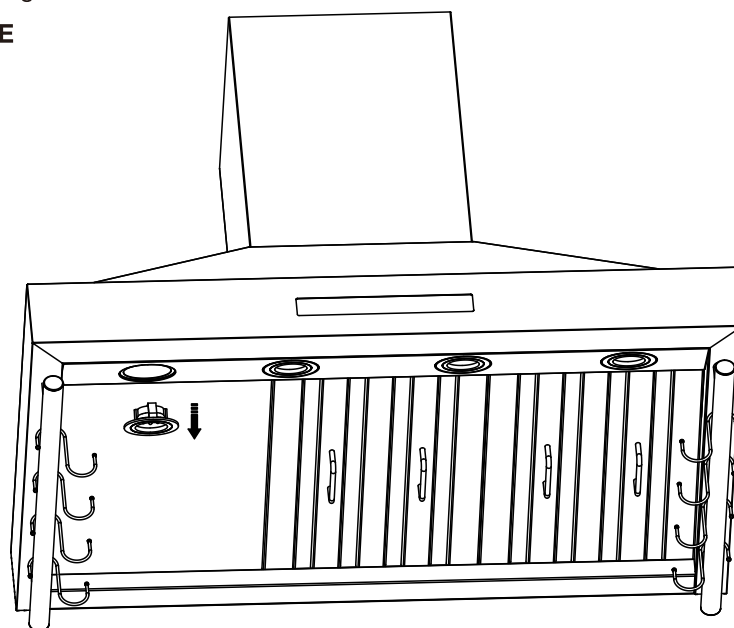
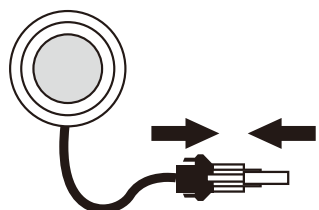


Figure 12

Troubleshooting

Problem	Possible Cause
If the range hood or LED light does not operate after installation:	Check if the range hood has been plugged in, make sure that all power has been turned back ON, fused not blown and all electrical wiring are properly connected.
The range hood vibrates when the blower is on:	The range hood might not have been secured properly on to the ceiling or wall.
The blower or fan seems weak:	Check that the duct sized used is at least 6 in. (15.3 cm). Range hood WILL NOT function efficiently with insufficient duct size. For example: 7 in. (17.7 cm) duct over 6 in. (15.3 cm) hole and loosely secured.
	Check if duct is clogged or if damper unit (half-circular flange) is not installed correctly or opening properly. A tight mesh on a side wall cap unit might also cause restriction to the air flow.
The lights work but the fan is not spinning at all, is stuck or is rattling:	The fan might be jammed or scraping the bottom due to shipping damage. Please contact us immediately.
The hood is not venting out properly:	Make sure the distance between the stove top and the bottom of the hood is within 25.6 in. and 30 in. (65 and 76.2 cm) in distance.
	Reduce the number of elbows and length of duct work. Check if all joints are properly connected, sealed, and taped.

Use and Care Information

Operations

- Read and understand all instructions and warnings in this manual before operating the appliance. Save these instructions for future reference.
- Always leave safety grills and filters in place. Without these components, operating fans could catch on to hair, fingers and loose clothing.
- NEVER dispose cigarette ashes, ignitable substances, or any foreign objects into fans.
- NEVER leave cooking unattended. When frying, oil in the pan can easily overheat and catch fire. The risk of self combustion is higher when the oil has been used several times.
- NEVER cook on “open” flames under the range hood. Check deep-fryers during use; superheated oil may be flammable.

Cleaning

- The saturation of greasy residue in the fan and filters may cause increased inflammability. Keep unit clean and free of grease and residue build-up at all times to prevent possible fires.
- Filters must be cleaned periodically and free from accumulation of cooking residue (see Cleaning Instructions below). Old and worn filters must be replaced immediately.
- DO NOT operate fans when filters are removed. Never disassemble parts to clean without proper instructions. Disassembly is recommended to be performed by qualified personnel only. Read and understand all instructions and warnings in this manual before proceeding.



SAFETY WARNING: Never put your hand into area housing the fan while the fan is operating!

For optimal operation, clean range hood and all baffle/spacer/filter/grease tray/oil container regularly. Regular care will help preserve the appearance of the range hood.

Cleaning Exterior Surfaces

- Clean periodically with hot soapy water and clean cotton cloth. DO NOT use corrosive or abrasive detergent (e.g. Comet Power Scrub®, EZ-Off® oven cleaner), or steel wool/scoring pads, which will scratch and damage the stainless steel surface. For heavier soil use liquid degrease such as “Formula 409®” or “Fantastic®” brand cleaner.
- If hood looks splotchy (stainless steel hood), use a stainless steel cleaner to clean the surface of the hood. Avoid getting cleaning solution onto or into the control panel. Follow directions of the stainless steel cleaner. **CAUTION: DO NOT leave on too long as this may cause damage to hood finish.** Use soft towel to wipe off the cleaning solution, gently rub off any stubborn spots. Use dry soft towel to dry the hood.
- After cleaning, you may use non-abrasive stainless steel polish such as 3M® or ZEP®, to polish and buff out the stainless luster and grain. Always scrub lightly, with clean cotton cloth, and with the grain.
- DO NOT allow deposits to accumulate or remain on the hood.
- DO NOT use ordinary steel wool or steel brushes. Small bits of steel may adhere to the surface and cause rusting.
- DO NOT allow salt solutions, disinfectants, bleaches, or cleaning compounds to remain in contact with stainless steel for extended periods. Many of these compounds contain chemicals, which may be harmful.
- Rinse with water after exposure to these compounds and wipe dry with a clean cloth.



FOR
FAST SUPPORT
EMAIL AT **INFO@FORNO.CA** 

Customer Support: Call 1-866-231-8893 or email: info@forno.ca