

Installation Guide



5 Series
All Refrigerator/All Freezer

Table of Contents

Warnings & Important Information	2
Professional	
Dimensions & Specifications (30" & 36")	4
Dimensions & Specifications (30" & 36" with flush mount trim)	6
Cutout Dimensions (30")	8
Anti-Tip Dimensions (30")	9
Cutout Dimensions (36")	10
Anti-Tip Dimensions (36")	11
Dimensions & Specifications (Dual 30"/ Dual 30" & 36")	12
Dimensions & Specifications (Dual 30"/ Dual 30" & 36" with flush mount trim)	16
Cutout Dimensions (Dual 30")	20
Anti-Tip Dimensions (Dual 30")	21
Cutout Dimensions (Dual 30" & 36")	22
Anti-Tip Dimensions (Dual 30" & 36")	23
Cutout Dimensions (Dual 36")	24
Anti-Tip Dimensions (Dual 36")	25
Cabinet Information	26
Cabinet Information (with flush mount trim)	28
Custom Side Panel Dimensions	30
Custom Side Panel Dimensions (with flush mount trim)	31
General Information	33
Unpacking & Moving	34
Flush Mount Side Trim Installation	35
Installation	35
Hinge Adjustment	36
Kickplate Installation	38
Door Stop Adjustment	39
Final Installation	39
Performance Checklist	41
Control Panels	42
Service & Registration	43

Your safety and the safety of others is very important.

We have provided many important safety messages in this manual and on your appliance. Always read and obey all safety messages.



This is the safety alert symbol. This symbol alerts you to hazards that can kill or hurt you and others.

All safety messages will be preceded by the safety alert symbol and the word "DANGER" or "WARNING." These words mean:

! D A N G E R

You will be killed or seriously injured if you don't follow instructions.

! W A R N I N G

You can be killed or seriously injured if you don't follow instructions.

All safety messages will identify the hazard, tell you how to reduce the chance of injury, and tell you what can happen if the instructions are not followed.

IMPORTANT—Please Read and Follow!

- Make sure that incoming voltage is the same as unit rating. An electric rating plate specifying voltage, frequency, wattage, amperage, and phase is attached to the product.
- To reduce the risk of fire, electric shock, or injury to persons, installation work and electrical wiring must be done by qualified people in accordance with all applicable codes and standards, including fire-rated construction.
- The installer should leave these instructions with the consumer who should retain them for local inspector's use and for future reference.

A GFI shall be used if required by NFPA-70 (National Electric Code), federal/state/local laws, or local ordinances.

- The required use of a GFI is normally related to the location of a receptacle with respect to any significant sources of water or moisture.
- Viking Range, LLC will NOT warranty any problems resulting from GFI outlets which are not installed properly or do not meet the requirements below.

If the use of a GFI is required, it should be:

- Of the receptacle type (breaker type or portable type NOT recommended)
- Used with permanent wiring only (temporary or portable wiring NOT recommended)
- On a dedicated circuit (no other receptacles, switches or loads in the circuit)
- Connected to a standard breaker of appropriate size (GFI breaker of the same size NOT recommended)
- Rated for Class A (5 mA +/- 1 mA trip current) as per UL 943 standard)
- In good condition and free from any loose-fitting gaskets (if applicable in outdoor situations)
- Protected from moisture (water, steam, high humidity) as much as reasonably possible

It is your responsibility to:

- comply with installation specifications and dimensions.
- properly install unit.
- remove any moldings or decorative panels that prevent the unit from being serviced.
- make sure that you have these materials (not provided with your unit), which are necessary for proper installation:
 - 1/4" (6 mm) copper tubing with shutoff valve
 - 6– #8 x 3" (7.6 cm) wood screws (longer screws may be required)
 - 1– Saddle valve (do not use self-piercing feature of the valve)
- assure that floor will support unit, door panels and contents (approximately 1200 pounds [540 kg]).
- provide a properly grounded electrical outlet.
- assure that location will permit appliance doors to open 90° minimum.

⚠ WARNING

ELECTRICAL SHOCK HAZARD

Disconnect power or turn power disconnect switch to OFF position before removing top grille. Failure to do so can result in death or electrical shock.

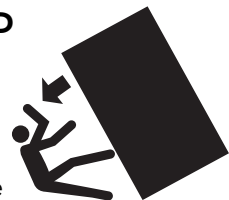


Most of the unit's weight is at the top. Extra care is needed when moving the unit to prevent tipping. Use cardboard shipping material or plywood under unit until it is installed in the operating position to protect floor surface.

⚠ WARNING

TIP OVER HAZARD

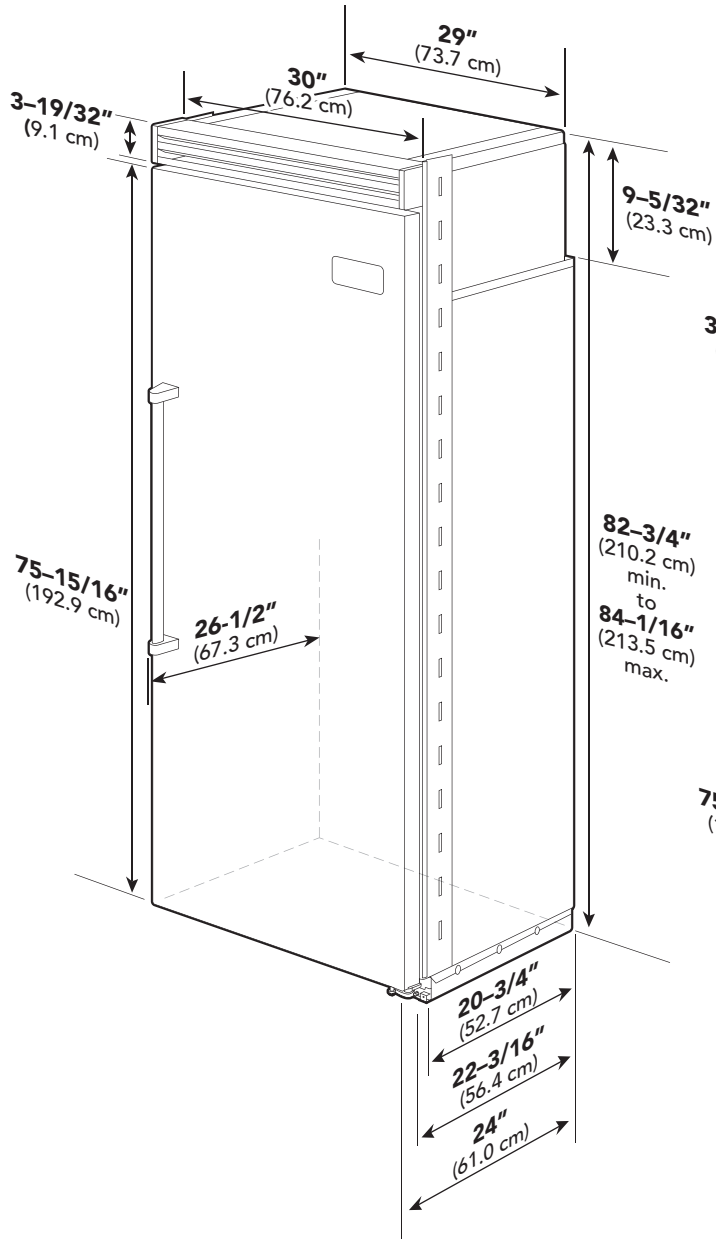
Appliance is top heavy and tips easily when not completely installed. Keep doors closed until appliance is completely installed and secured per installation instructions.



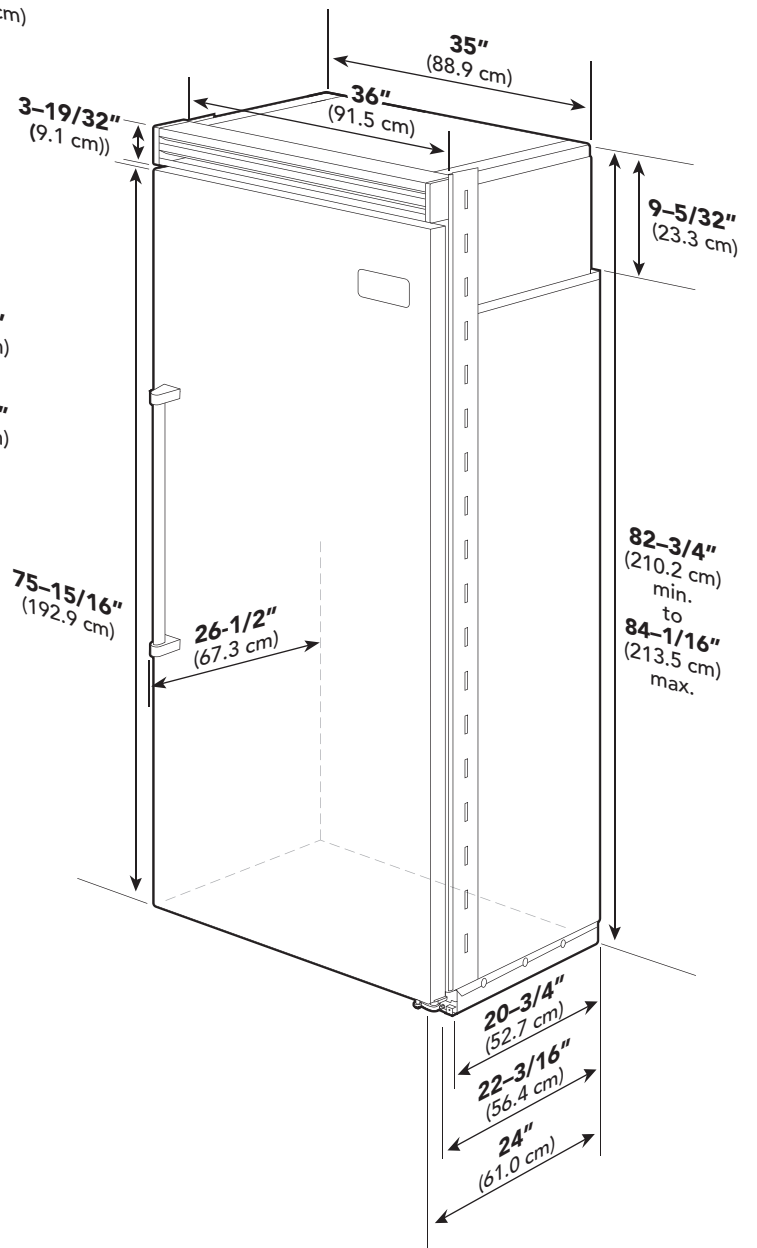
Use two or more people to move and install appliance. Failure to do so can result in death or serious injury.

Dimensions

30" All Refrigerator/All Freezer



36" All Refrigerator/All Freezer



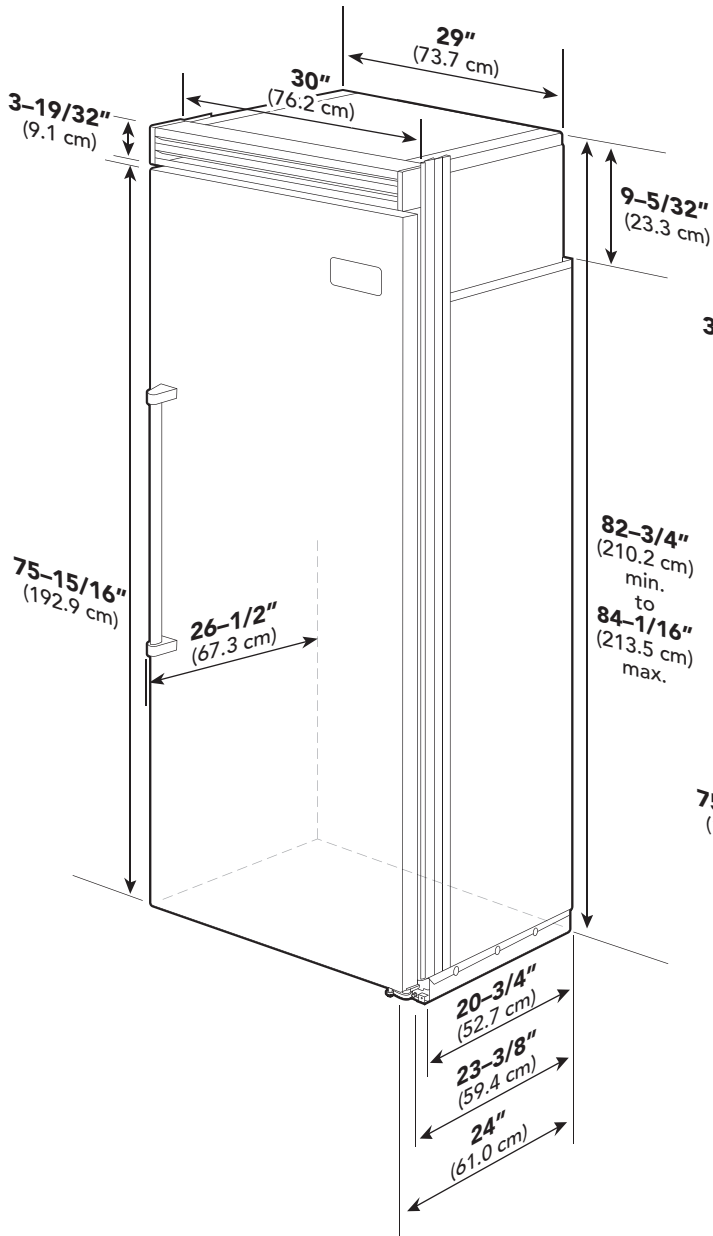
Specifications

30" All Refrigerator/All Freezer		
Description	VCFB/CVCFB	VCRB/CVCRB
Overall width	30" (76.2 cm)	
Overall height from bottom	82-3/4" (210.2 cm) min. to 84-1/16" (213.5 cm) max.	
Overall depth from rear	To front edge of side trim: 22-3/16" (56.4 cm) To front of top grille: 24" (61.0 cm) To front of handle endcap: 26-1/2" (67.3 cm)	
Cutout width	29-5/8" (75.2 cm) min. to 29-3/4" (75.6 cm) max.	
Cutout height	82-7/8" (210.5 cm) min. to 84-1/16" (213.5 cm) max.	
Cutout depth	24" (61.0 cm) min.	
Electrical requirements	115 volt, 60 Hz, 15 amp dedicated circuit; 3-wire cord with grounded 3-prong plug attached to product	
Maximum amp usage	9.1 amps	5.7 amps
Inlet water requirements	1/4" copper tubing inlet waterline; minimum 20 psi; maximum 120 psi	N/A
Overall interior dimensions		
Total capacity	15.9 cu. ft. (450 liters)	18.4 cu. ft. (522 liters)
Approximate shipping weight	550 lbs. (247.5 kg)	525 lbs. (236.3 kg)

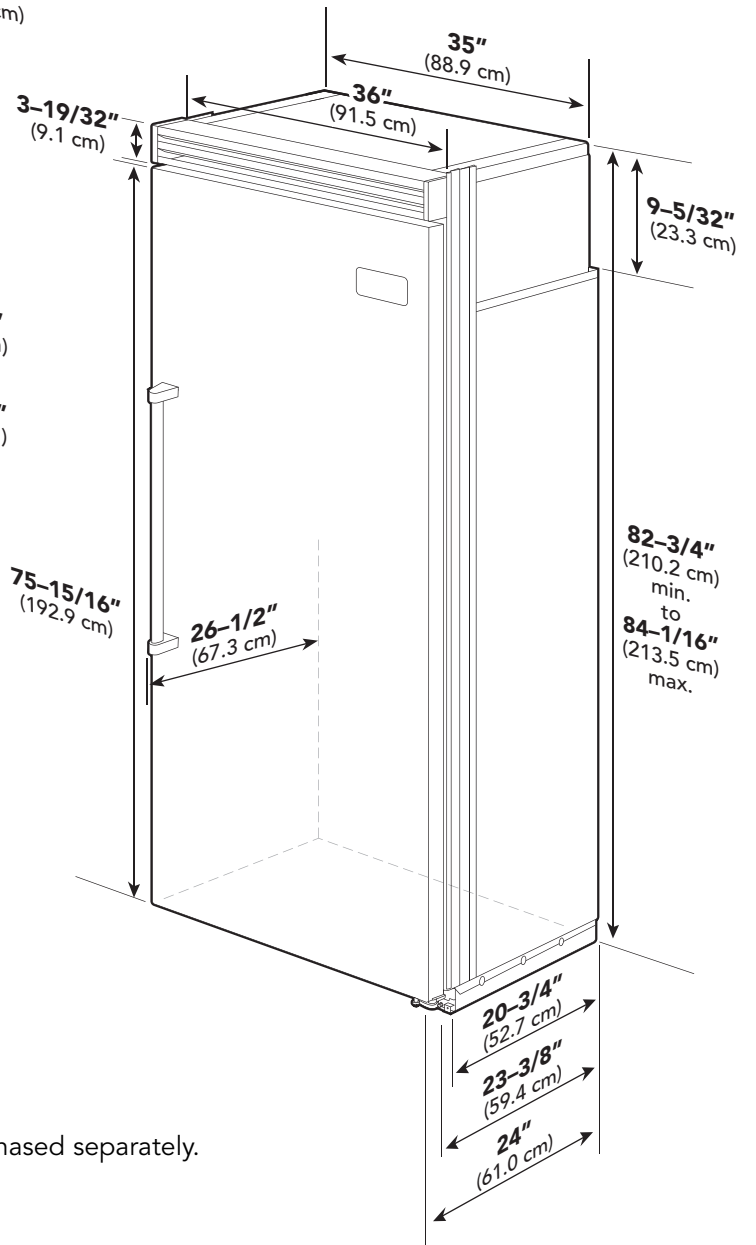
36" All Refrigerator/All Freezer		
Description	VCFB/CVCFB	VCRB/CVCRB
Overall width	36" (91.5 cm)	
Overall height from bottom	82-3/4" (210.2 cm) min. to 84-1/16" (213.5 cm) max.	
Overall depth from rear	To front edge of side trim: 22-3/16" (56.4 cm) To front of top grille: 24" (61.0 cm) To front of handle endcap: 26-1/2" (67.3 cm)	
Cutout width	35-5/8" (90.5 cm) min. to 35-3/4" (90.8 cm) max.	
Cutout height	82-7/8" (210.5 cm) min. to 84-1/16" (213.5 cm) max.	
Cutout depth	24" (61.0 cm) min.	
Electrical requirements	115 volt, 60 Hz, 15 amp dedicated circuit; 3-wire cord with grounded 3-prong plug attached to product	
Maximum amp usage	9.5 amps	6.5 amps
Inlet water requirements	1/4" copper tubing inlet waterline; minimum 20 psi; maximum 120 psi	N/A
Overall interior dimensions		
Total capacity	19.2 cu. ft. (544 liters)	22.0 cu. ft. (623 liters)
Approximate shipping weight	605 lbs. (272.3 kg)	590 lbs. (265.5 kg)

Dimensions

30" All Refrigerator/All Freezer
with Flush Mount Trim



36" All Refrigerator/All Freezer
with Flush Mount Trim



Note: Flush Mount Trim (PBIRFTKSS) purchased separately.

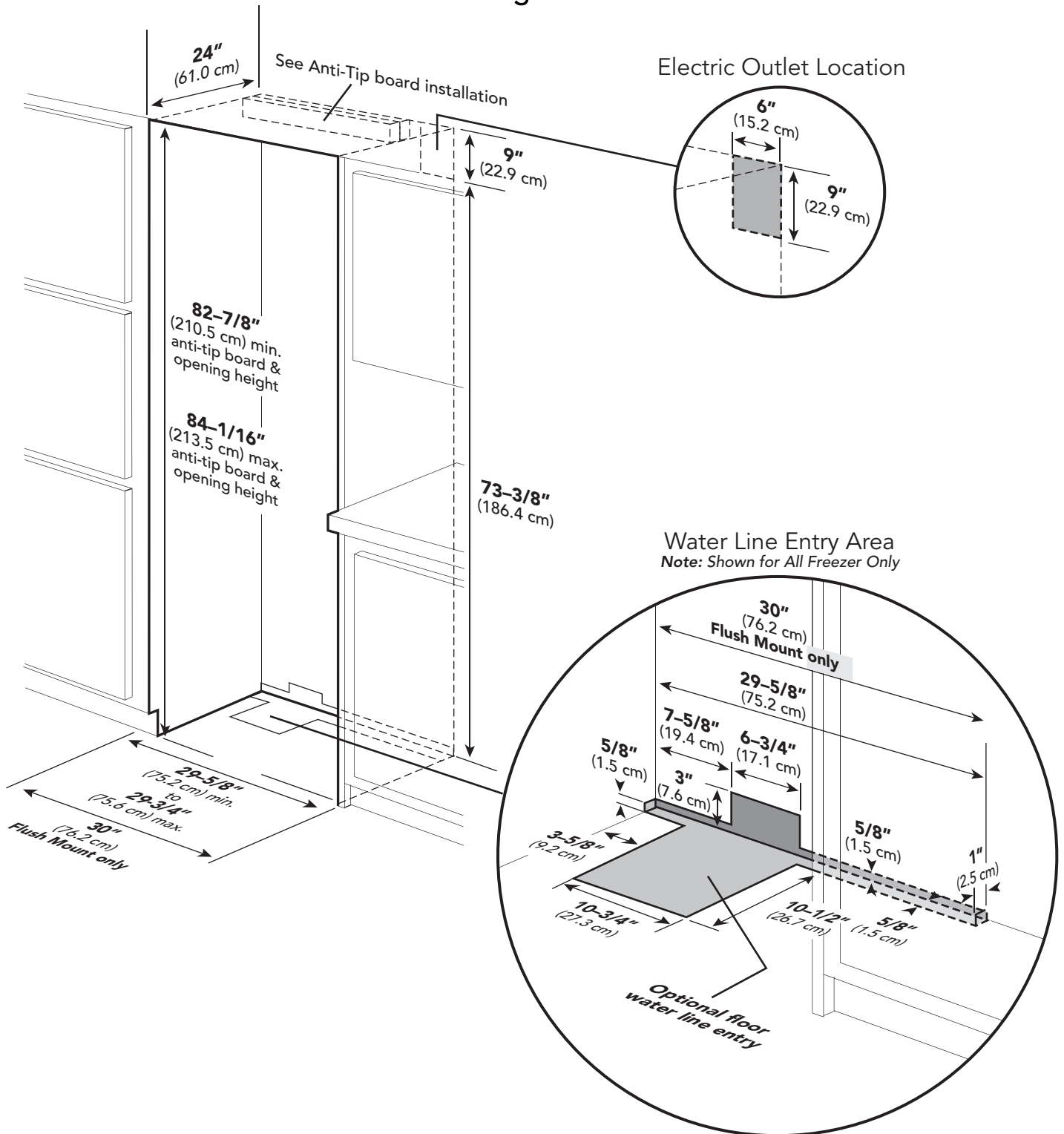
Specifications

30" All Refrigerator/All Freezer with Flush Mount Trim		
Description	VCFB/CVCFB Flush Mount	VCRB/CVCRB Flush Mount
Overall width	30" (76.2 cm)	
Overall height from bottom	82-3/4" (210.2 cm) min. to 84-1/16" (213.5 cm) max.	
Overall depth from rear	To front edge of side trim: 23-3/8" (59.4 cm) To front of top grille: 24" (61.0 cm) To front of handle endcap: 26-1/2" (67.3 cm)	
Cutout width	30" (74.9 cm)	
Cutout height	82-7/8" (210.5 cm) min. to 84-1/16" (213.5 cm) max.	
Cutout depth	24" (61.0 cm) min.	
Electrical requirements	115 volt, 60 Hz, 15 amp dedicated circuit; 3-wire cord with grounded 3-prong plug attached to product	
Maximum amp usage	9.1 amps	5.7 amps
Inlet water requirements	1/4" copper tubing inlet waterline; minimum 20 psi; maximum 120 psi	N/A
Overall interior dimensions		
Total capacity	15.9 cu. ft. (450 liters)	18.4 cu. ft. (522 liters)
Approximate shipping weight	550 lbs. (247.5 kg)	525 lbs. (236.3 kg)

36" All Refrigerator/All Freezer with Flush Mount Trim		
Description	VCFB/CVCFB Flush Mount	VCRB/CVCRB Flush Mount
Overall width	36" (91.5 cm)	
Overall height from bottom	82-3/4" (210.2 cm) min. to 84-1/16" (213.5 cm) max.	
Overall depth from rear	To front edge of side trim: 23-3/8" (59.4 cm) To front of top grille: 24" (61.0 cm) To front of handle endcap: 26-1/2" (67.3 cm)	
Cutout width	36" (91.4 cm)	
Cutout height	82-7/8" (210.5 cm) min. to 84-1/16" (213.5 cm) max.	
Cutout depth	24" (61.0 cm) min.	
Electrical requirements	115 volt, 60 Hz, 15 amp dedicated circuit; 3-wire cord with grounded 3-prong plug attached to product	
Maximum amp usage	9.5 amps	6.5 amps
Inlet water requirements	1/4" copper tubing inlet waterline; minimum 20 psi; maximum 120 psi	N/A
Overall interior dimensions		
Total capacity	19.2 cu. ft. (544 liters)	22.0 cu. ft. (623 liters)
Approximate shipping weight	605 lbs. (272.3 kg)	590 lbs. (265.5 kg)

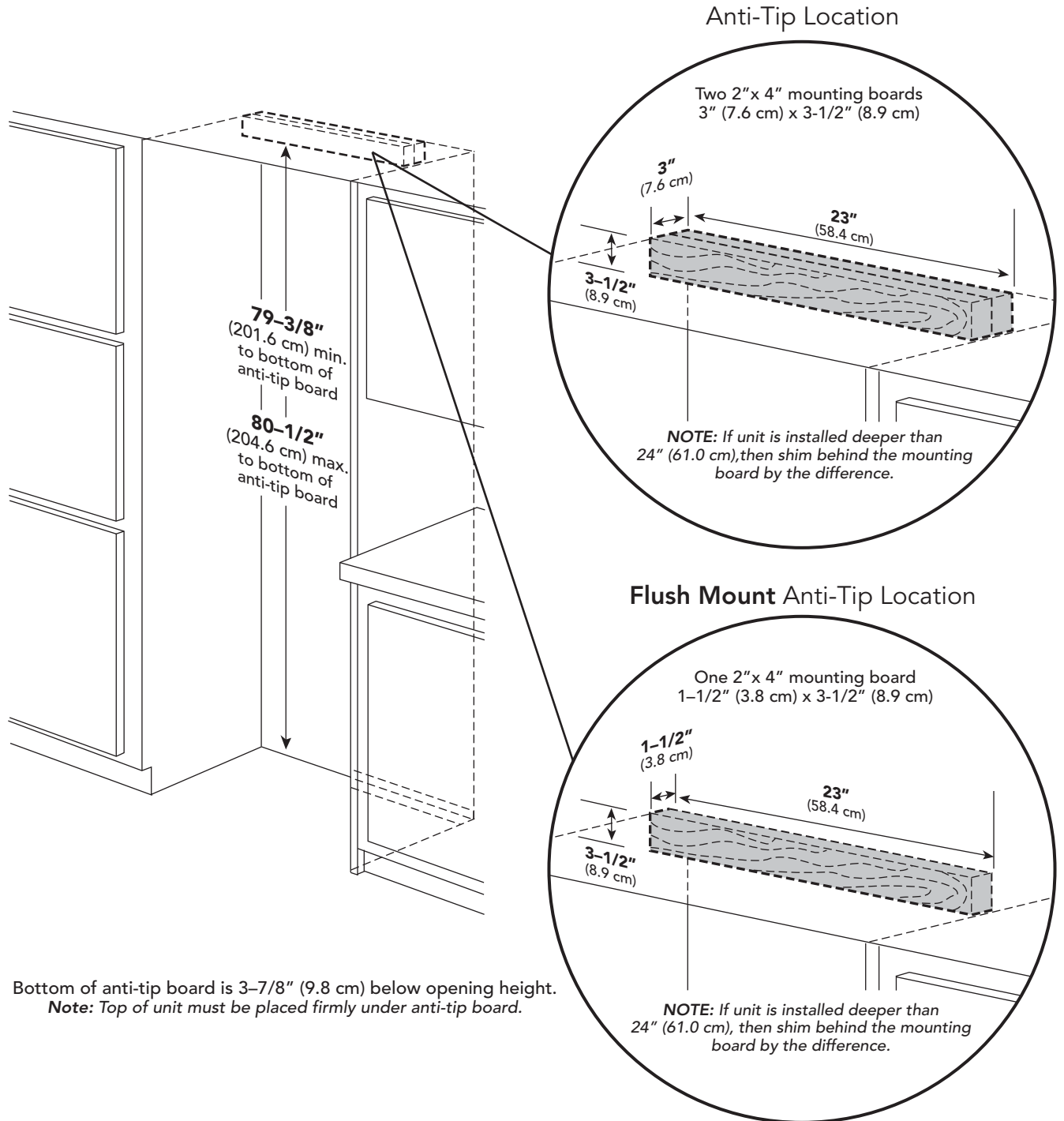
Cutout Dimensions

30" All Refrigerator/All Freezer



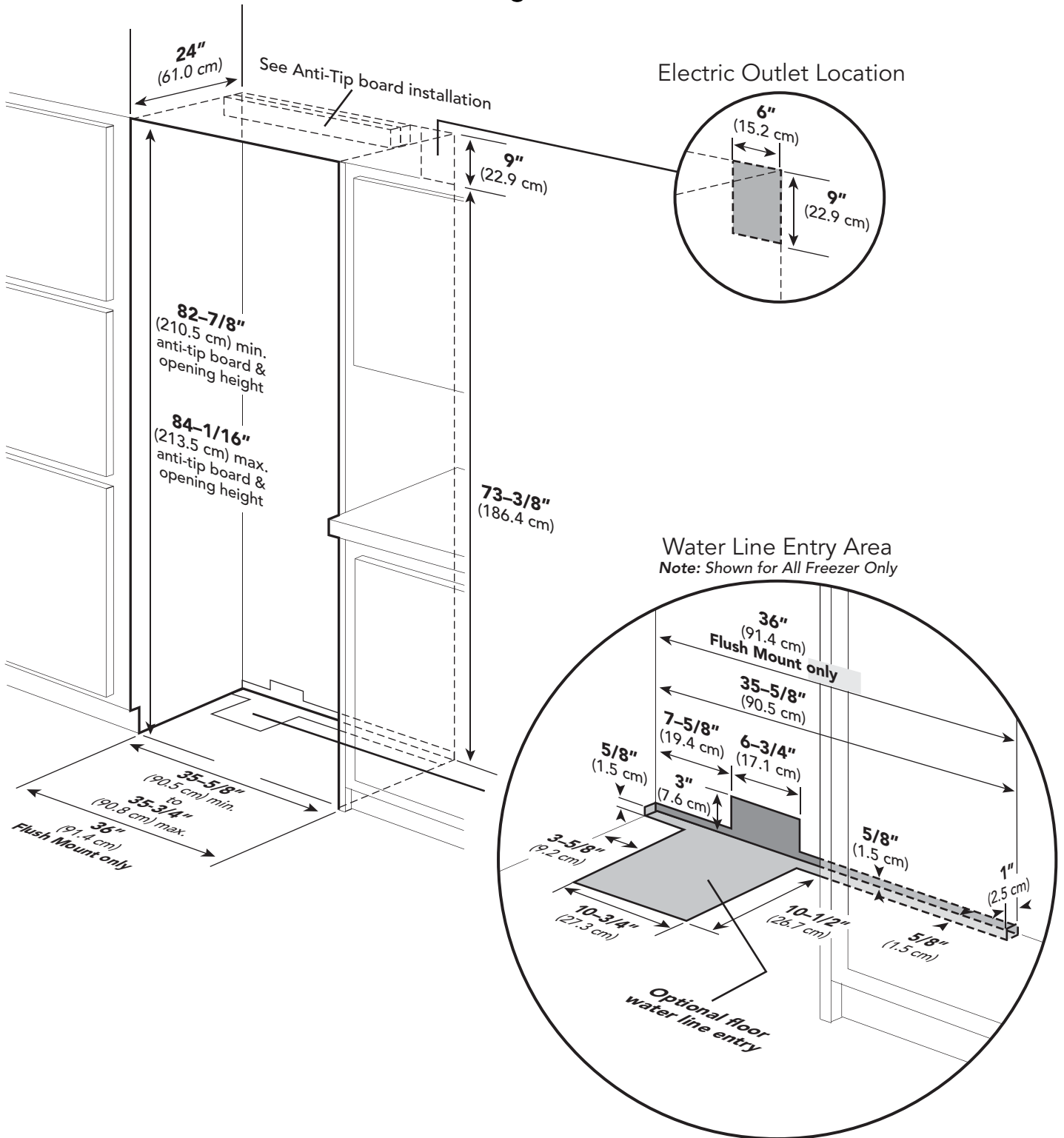
Anti-Tip Dimensions

30" All Refrigerator/All Freezer



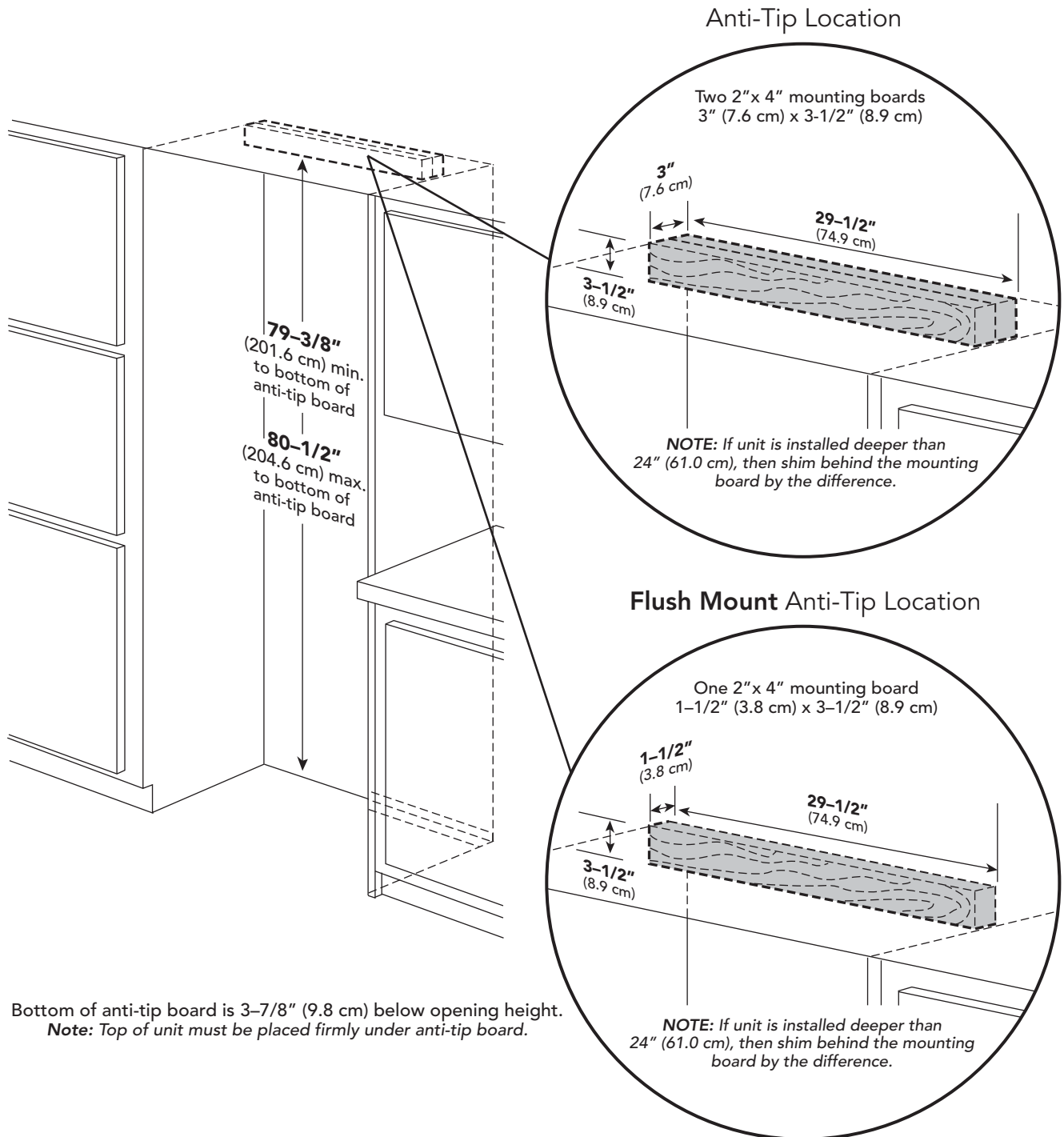
Cutout Dimensions

36" All Refrigerator/All Freezer



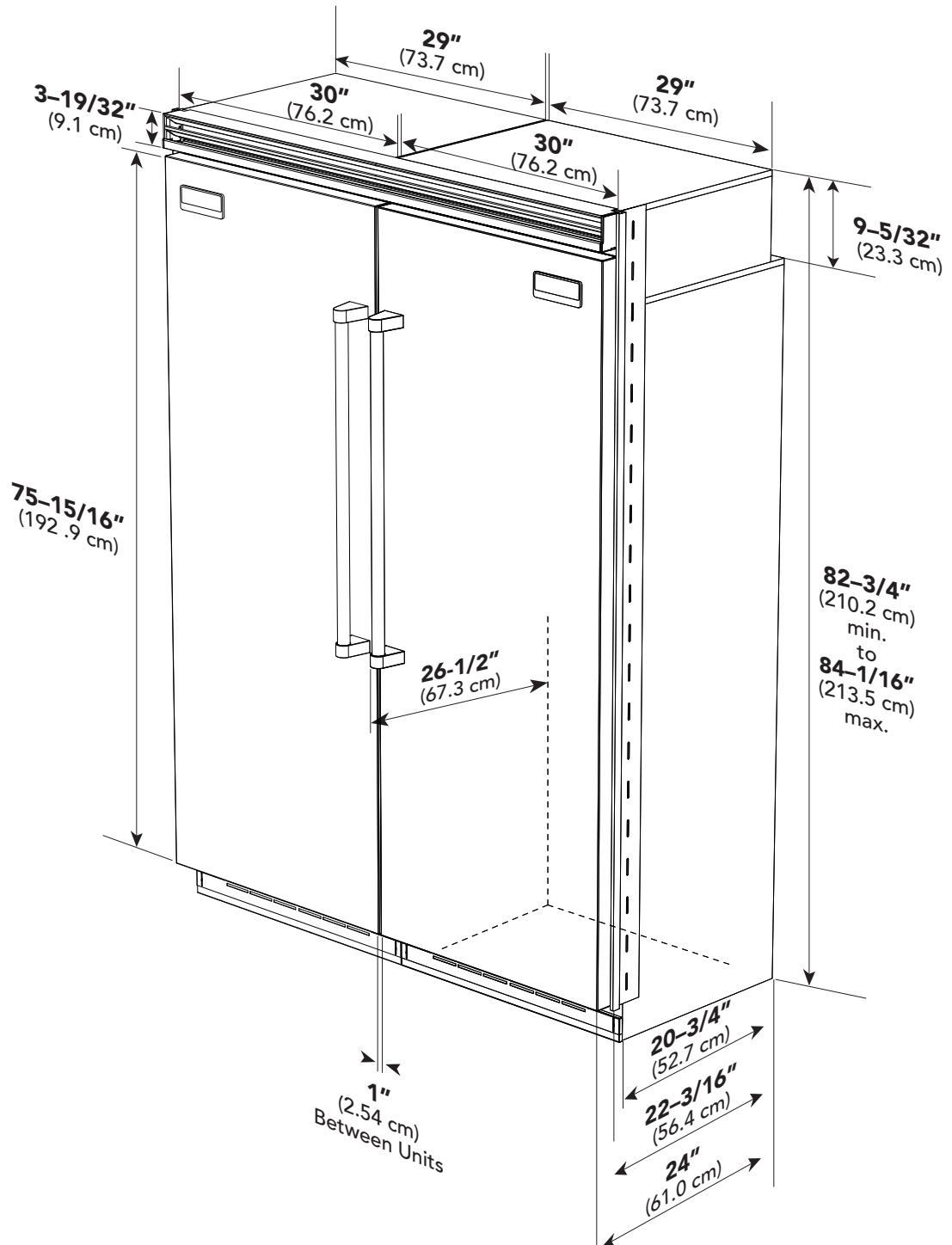
Anti-Tip Dimensions

36" All Refrigerator/All Freezer



Dimensions

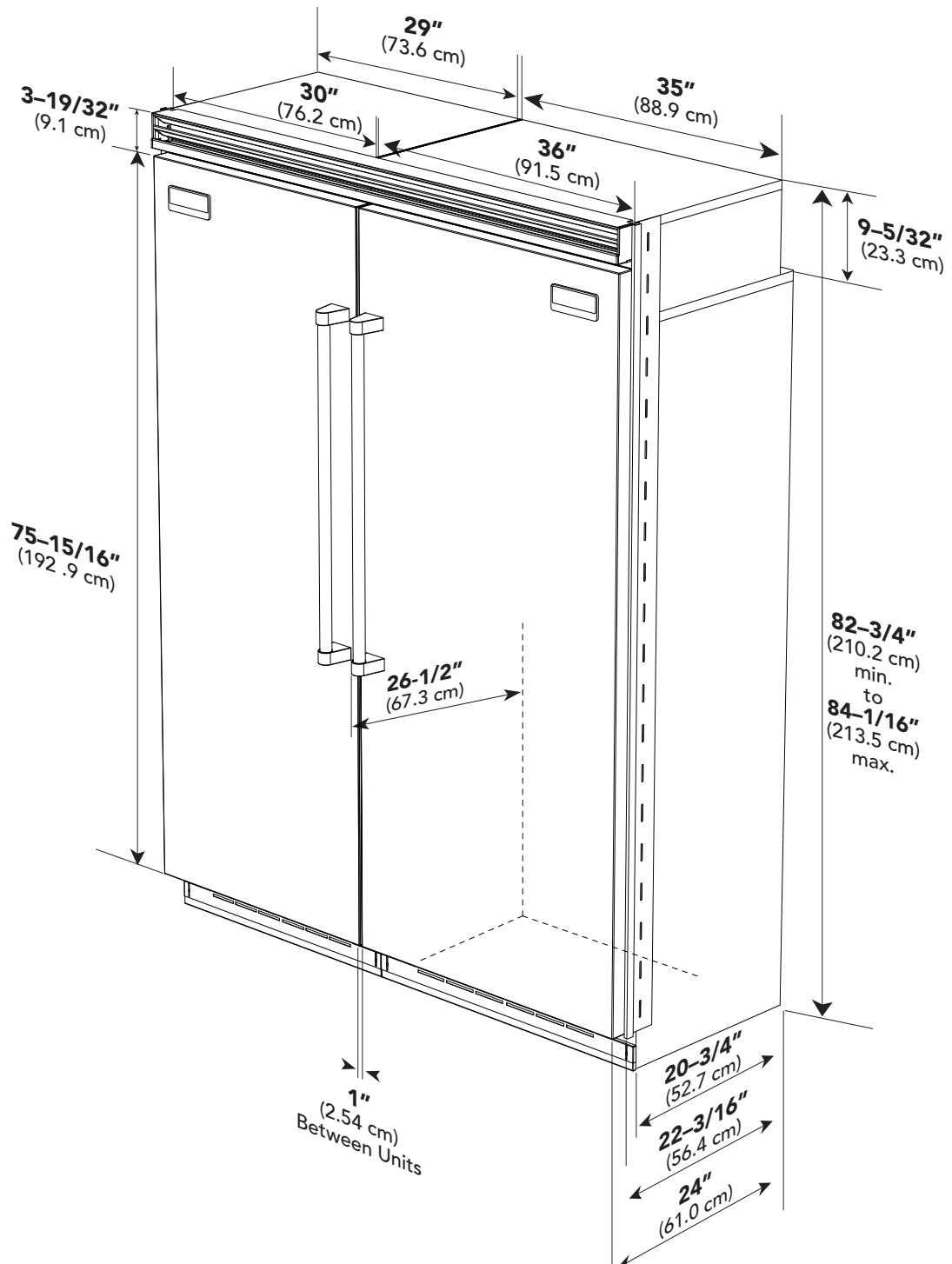
Dual 30" All Refrigerator/All Freezer*



***Shown with optional one-piece grille kit**

Dimensions

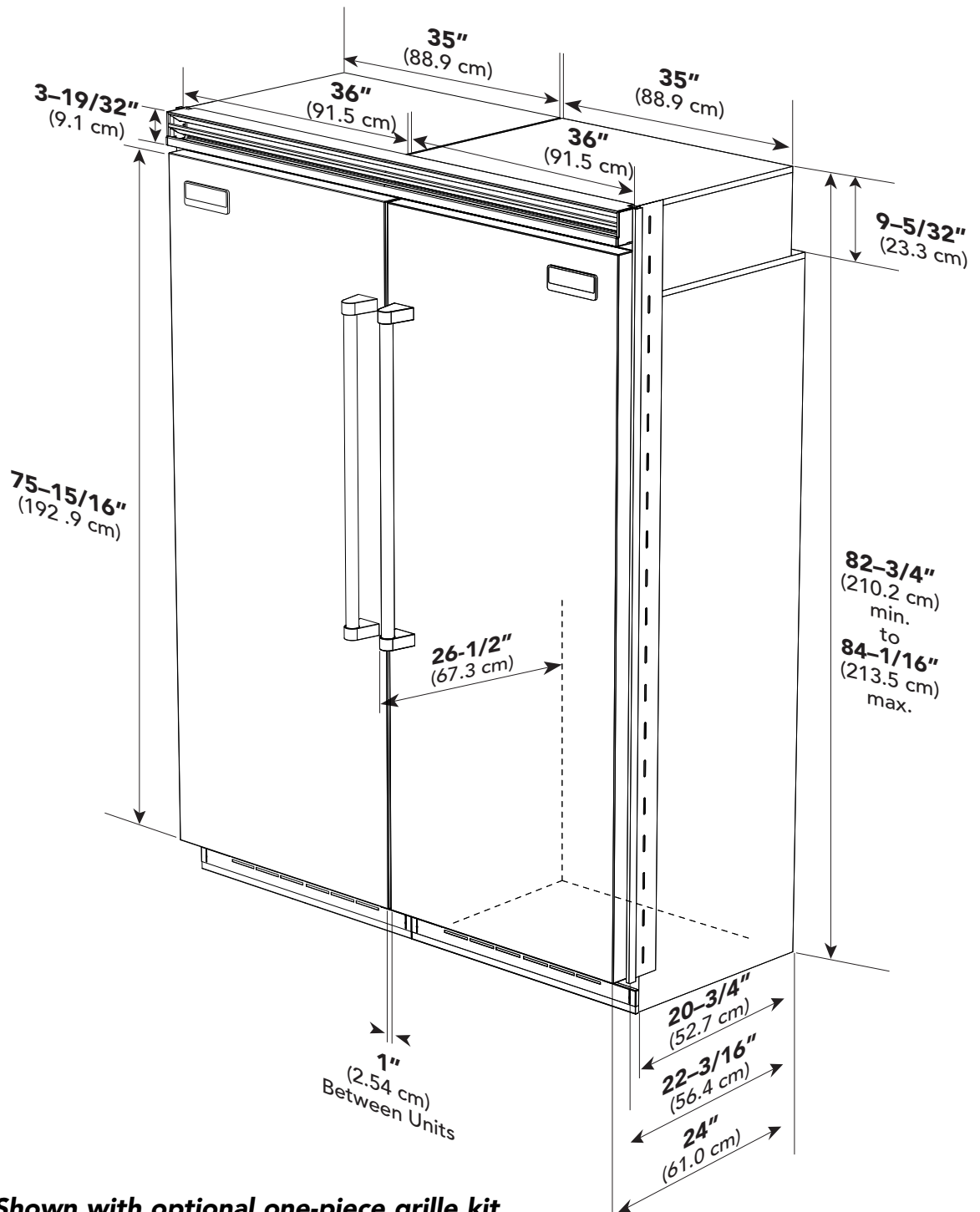
Dual 30" & 36" All Refrigerator/All Freezer*



***Shown with optional one-piece grille kit**

Dimensions

Dual 36" All Refrigerator/All Freezer*



***Shown with optional one-piece grille kit**

Specifications

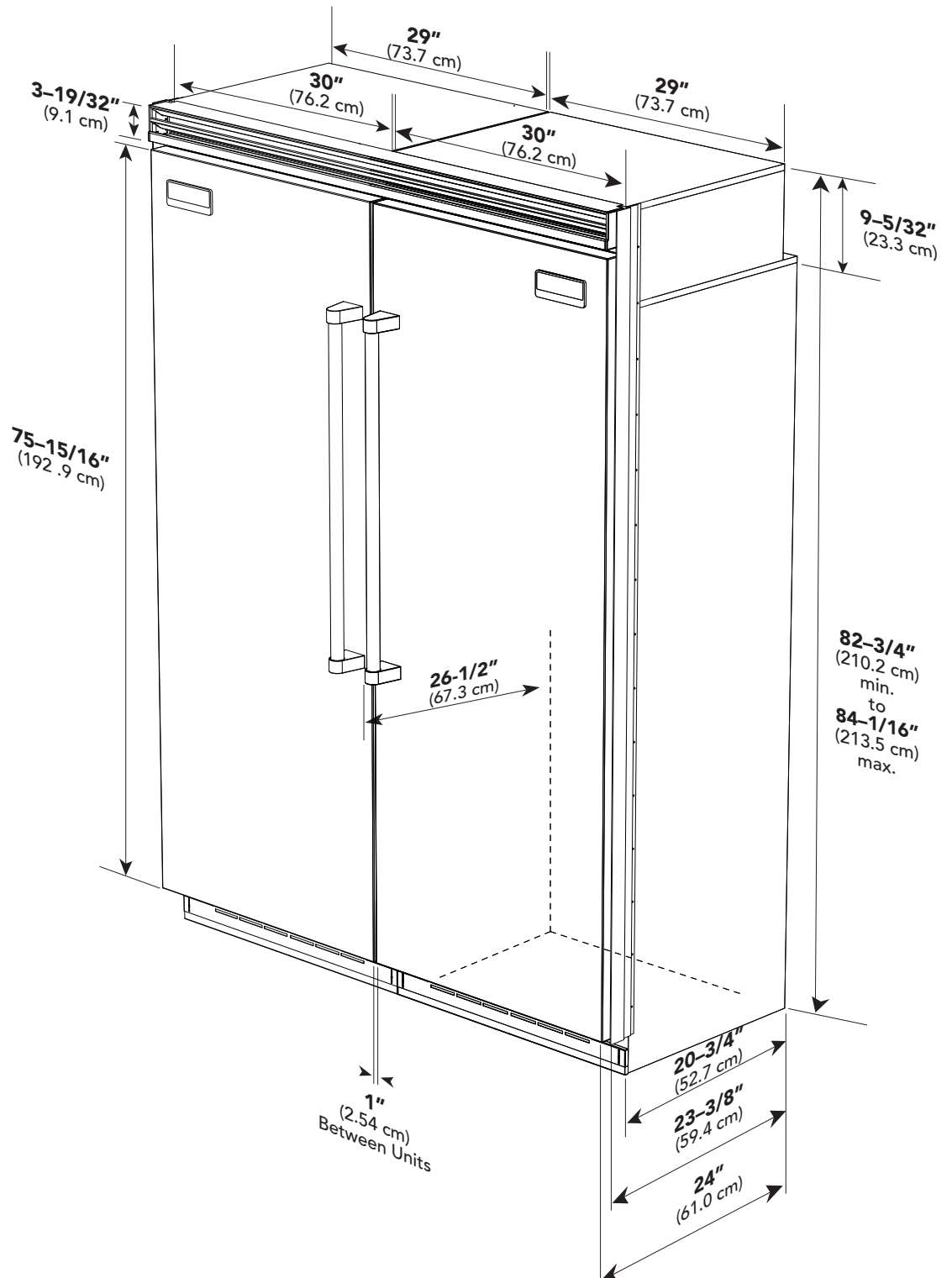
Dual All Refrigerator/All Freezer*			
Description	(2) 30" Units	(1) 36" & (1) 30" Unit	(2) 36" Units
Overall width	60" (152.4 cm)	66" (167.6 cm)	72" (182.9 cm)
Overall height from bottom	82-3/4" (210.2 cm) min. to 84-1/16" (213.5 cm) max.		
Overall depth from rear	To front edge of side trim: 22-3/16" (56.4 cm) To front of top grille: 24" (61.0 cm) To front of handle endcap: 26-1/2" (67.3 cm)		
Cutout width	59-5/8" (151.4 cm)	65-5/8" (166.7 cm)	71-5/8" (181.9 cm)
Cutout height	82-7/8" (210.5 cm) min. to 84-1/16" (213.5 cm) max.		
Cutout depth	24" (61.0 cm) min.		
Electrical requirements	(2) 115 volt, 60 Hz, 15 amp dedicated circuit; 3-wire cord with grounded 3-prong plug attached to product		
Maximum amp usage	30" Freezer 9.1 amps per unit 30" Refrigerator 5.7 amps per unit 36" Freezer 9.5 amps per unit 36" Refrigerator 6.5 amps per unit		
Inlet water requirements (All Freezer only)	1/4" copper tubing inlet waterline; minimum 20 psi; maximum 120 psi		
Overall interior dimensions	30" Freezer 15.9 cu. ft. (450 liters) 30" Refrigerator 18.4 cu. ft. (522 liters) 36" Freezer 19.2 cu. ft. (544 liters) 36" Refrigerator 22.0 cu. ft. (623 liters)		
Approximate shipping weight	30"- Freezer 550 lbs. (247.5 kg) each; Refrigerator 525 lbs. (236.3 kg) each 36"- Freezer 605 lbs. (272.3 kg) each; Refrigerator 590 lbs. (265.5 kg) each		

*For installation of two units side-by-side, a separate grille kit accessory must be purchased.

Dimensions

Dual 30" All Refrigerator/All Freezer with Flush Mount Trim*

Note: Flush Mount Trim Kit (PBIRFTK) purchased separately

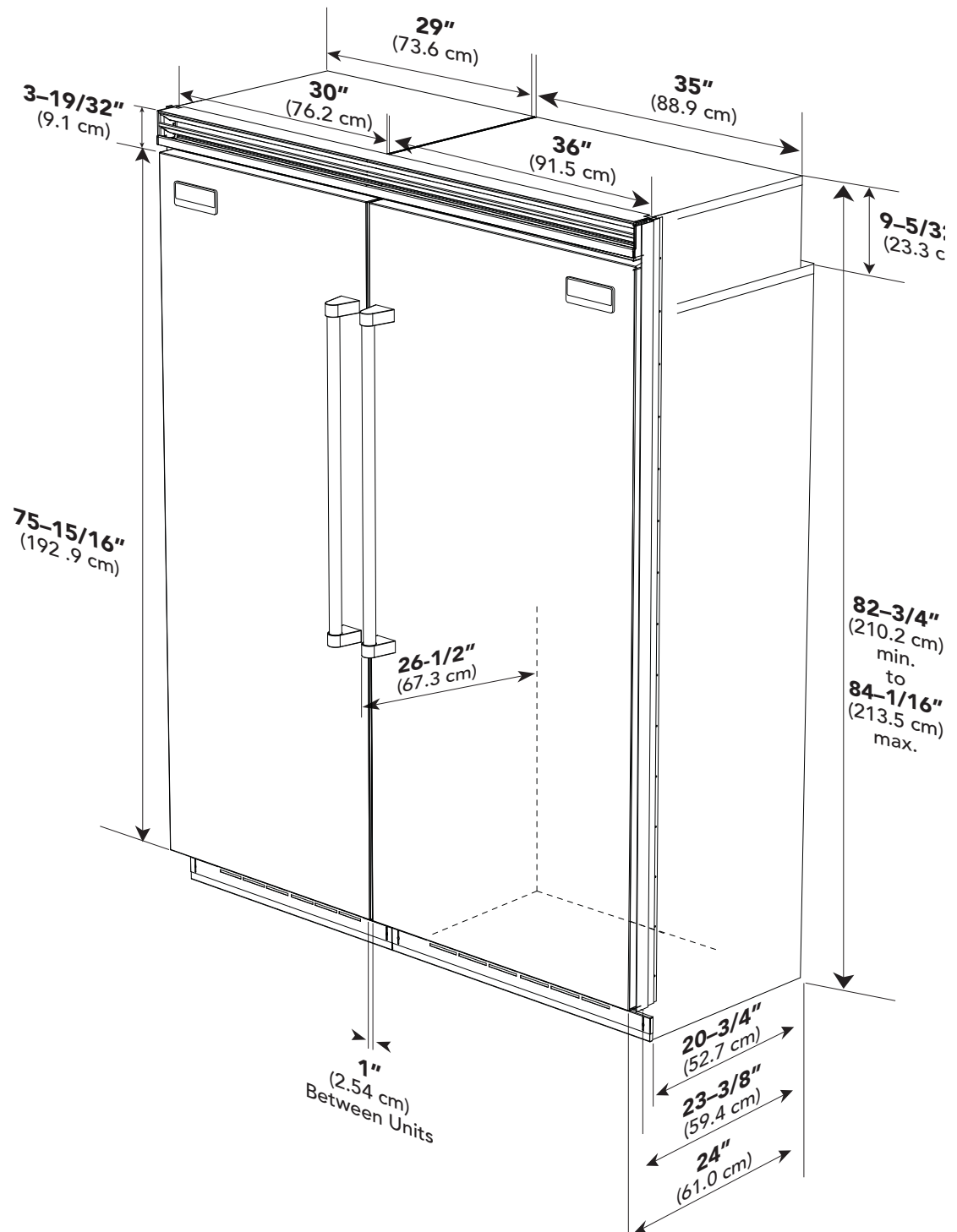


***Shown with optional one-piece grille kit**

Dimensions

Dual 30" & 36" All Refrigerator/All Freezer with Flush Mount Trim*

Note: Flush Mount Trim Kit (PBIRFTK) purchased separately

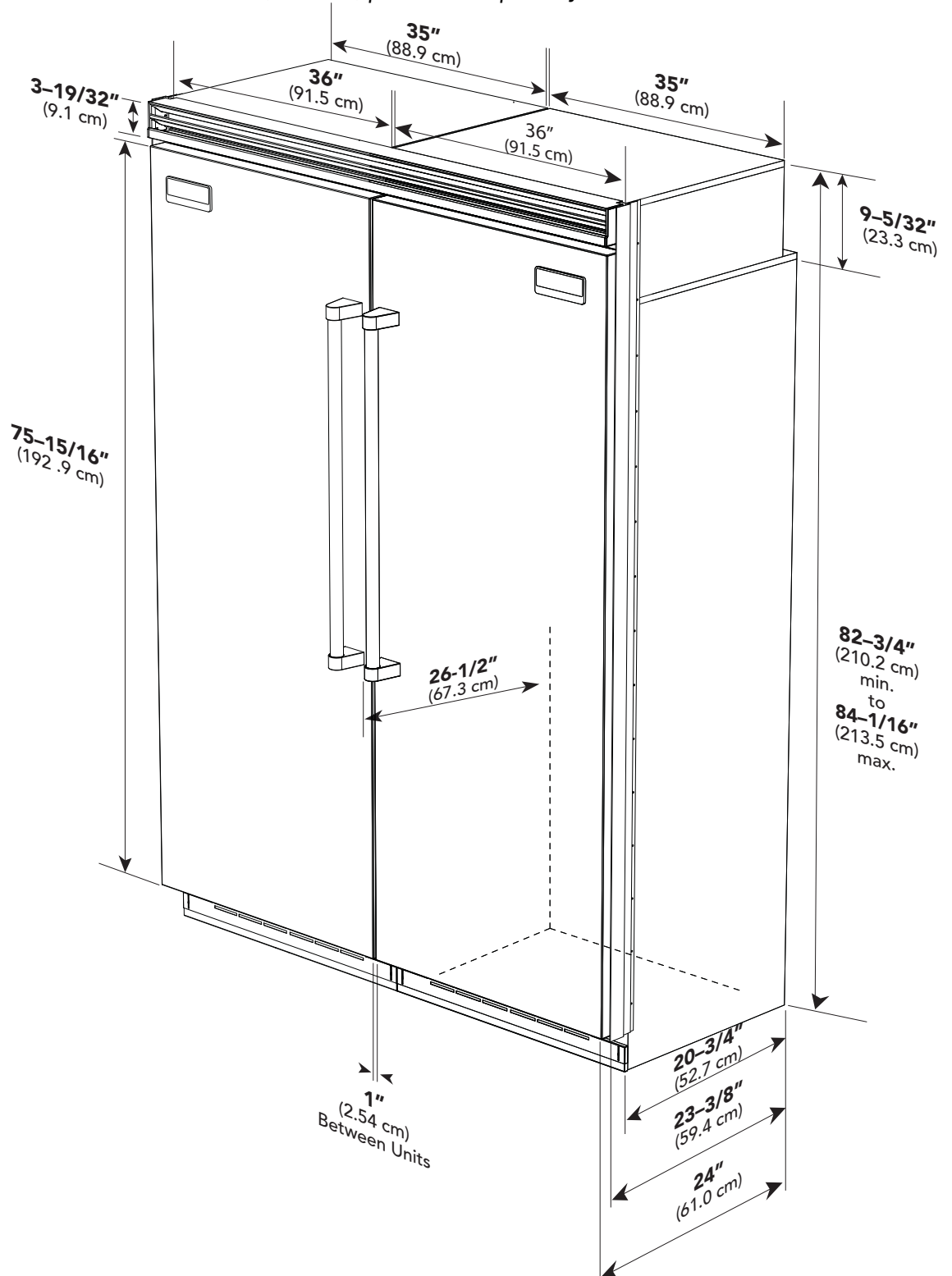


***Shown with optional one-piece grille kit**

Dimensions

Dual 36" All Refrigerator/All Freezer with Flush Mount Trim*

Note: Flush Mount Trim Kit (PBIRFTK) purchased separately



***Shown with optional one-piece grille kit (purchased separately)**

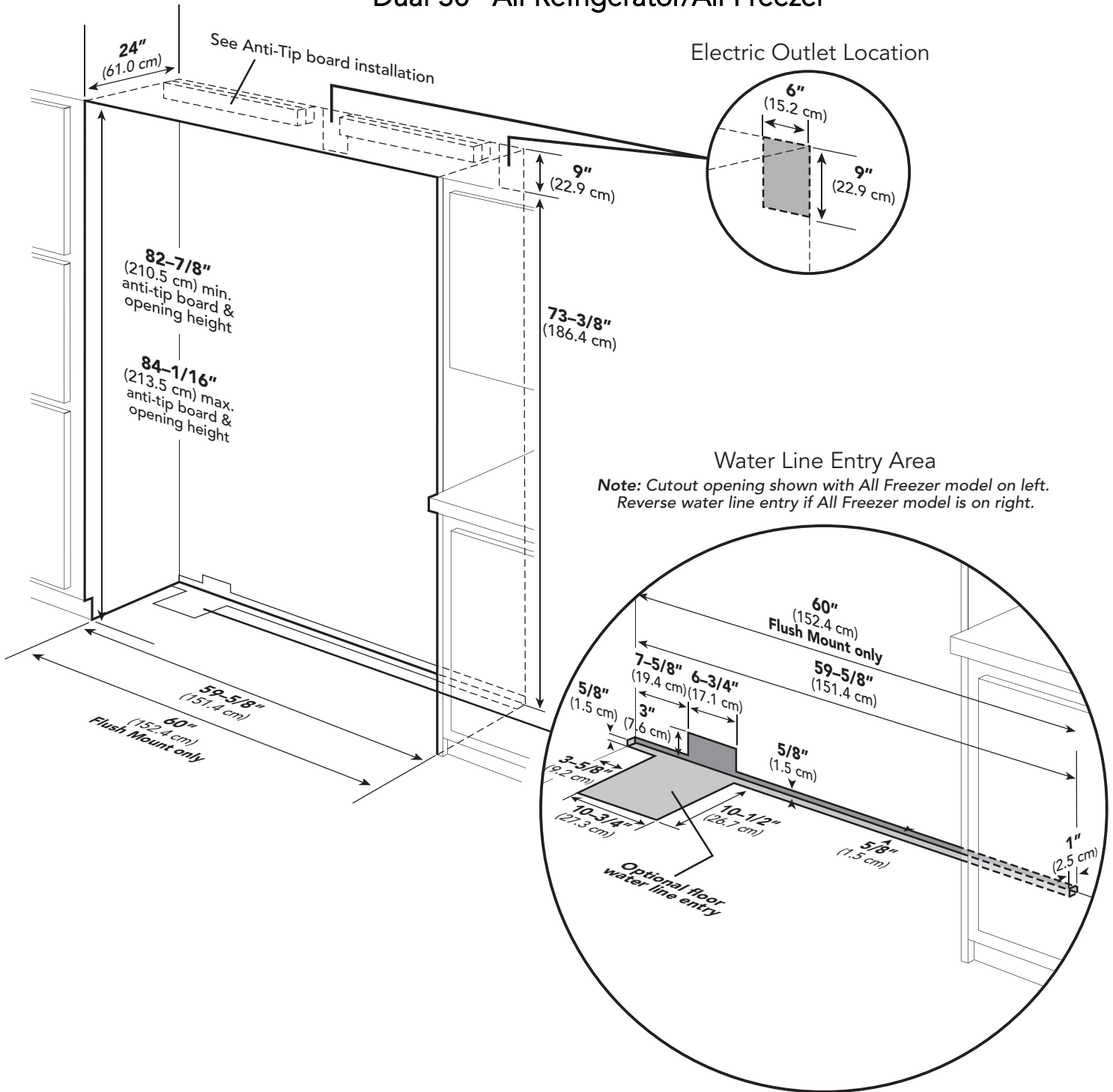
Specifications

Dual All Refrigerator/All Freezer w/Flush Mount Trim*			
Description	(2) 30" Units	(1) 36" & (1) 30" Unit	(2) 36" Units
Overall width	60" (152.4 cm)	66" (167.6 cm)	72" (182.9 cm)
Overall height from bottom	82-3/4" (210.2 cm) min. to 84-1/16" (213.5 cm) max.		
Overall depth from rear	To front edge of side trim: 23-3/8" (59.4 cm) To front of top grille: 24" (61.0 cm) To front of handle endcap: 26-1/2" (67.3 cm)		
Cutout width	60" (152.4 cm)	66" (167.6 cm)	72" (182.9 cm)
Cutout height	82-7/8" (210.5 cm) min. to 84-1/16" (213.5 cm) max.		
Cutout depth	24" (61.0 cm) min.		
Electrical requirements	(2) 115 volt, 60 Hz, 15 amp dedicated circuit; 3-wire cord with grounded 3-prong plug attached to product		
Maximum amp usage	30" Freezer 9.1 amps per unit 30" Refrigerator 5.7 amps per unit 36" Freezer 9.5 amps per unit 36" Refrigerator 6.5 amps per unit		
Inlet water requirements (All Freezer only)	1/4" copper tubing inlet waterline; minimum 20 psi; maximum 120 psi		
Overall interior dimensions	30" Freezer 15.9 cu. ft. (450 liters) 30" Refrigerator 18.4 cu. ft. (522 liters) 36" Freezer 19.2 cu. ft. (544 liters) 36" Refrigerator 22.0 cu. ft. (623 liters)		
Approximate shipping weight	30"- Freezer 550 lbs. (247.5 kg) each; Refrigerator 525 lbs. (236.3 kg) each 36"- Freezer 605 lbs. (272.3 kg) each; Refrigerator 590 lbs. (265.5 kg) each		

*For installation of two units side-by-side, a separate grille kit accessory must be purchased.

Cutout Dimensions

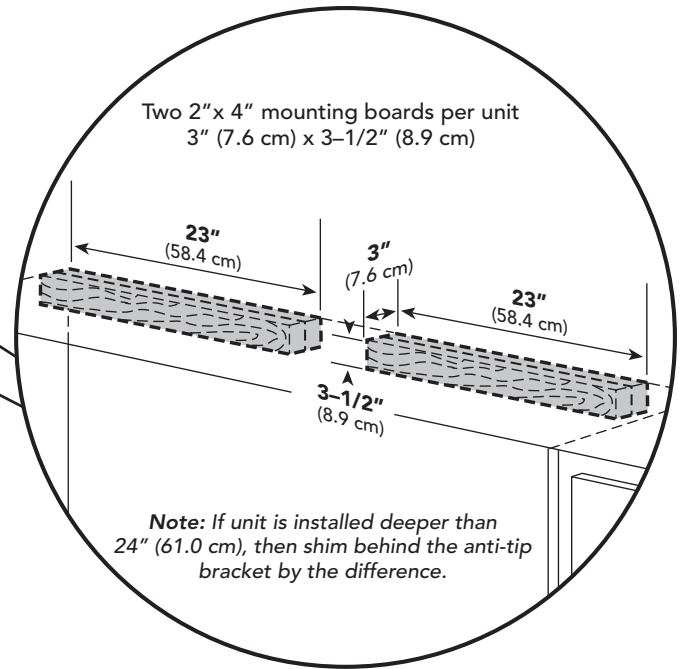
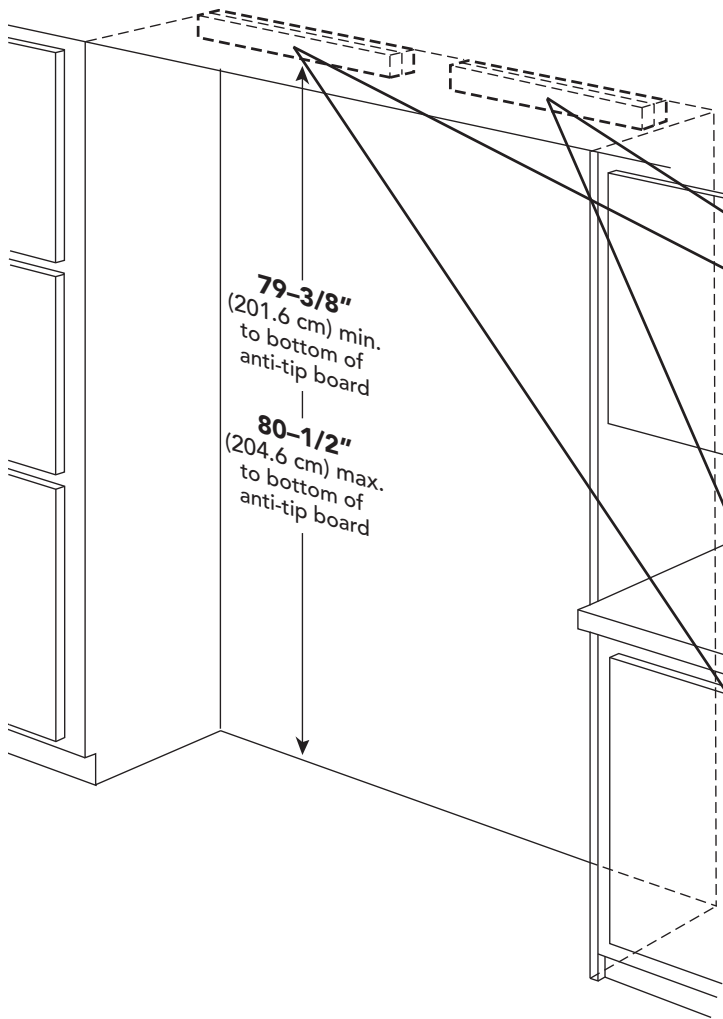
Dual 30" All Refrigerator/All Freezer



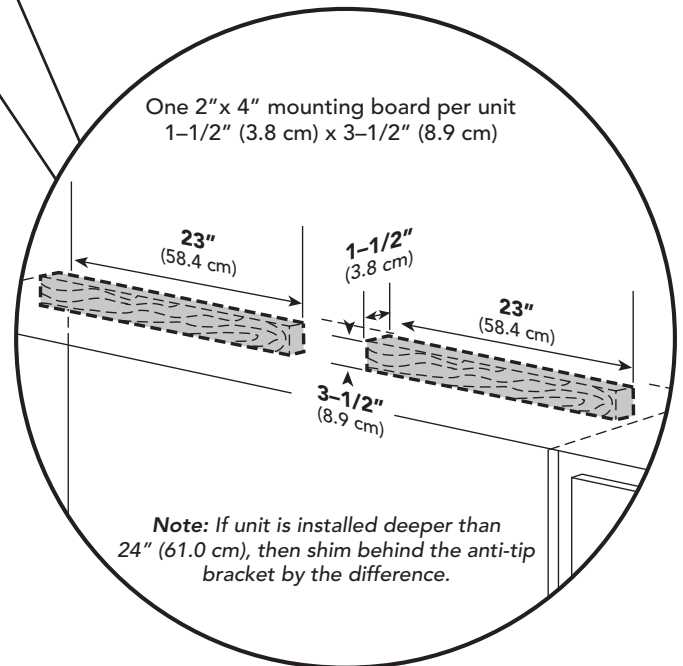
Anti-Tip Dimensions

Dual 30" All Refrigerator/All Freezer

Anti-Tip Location



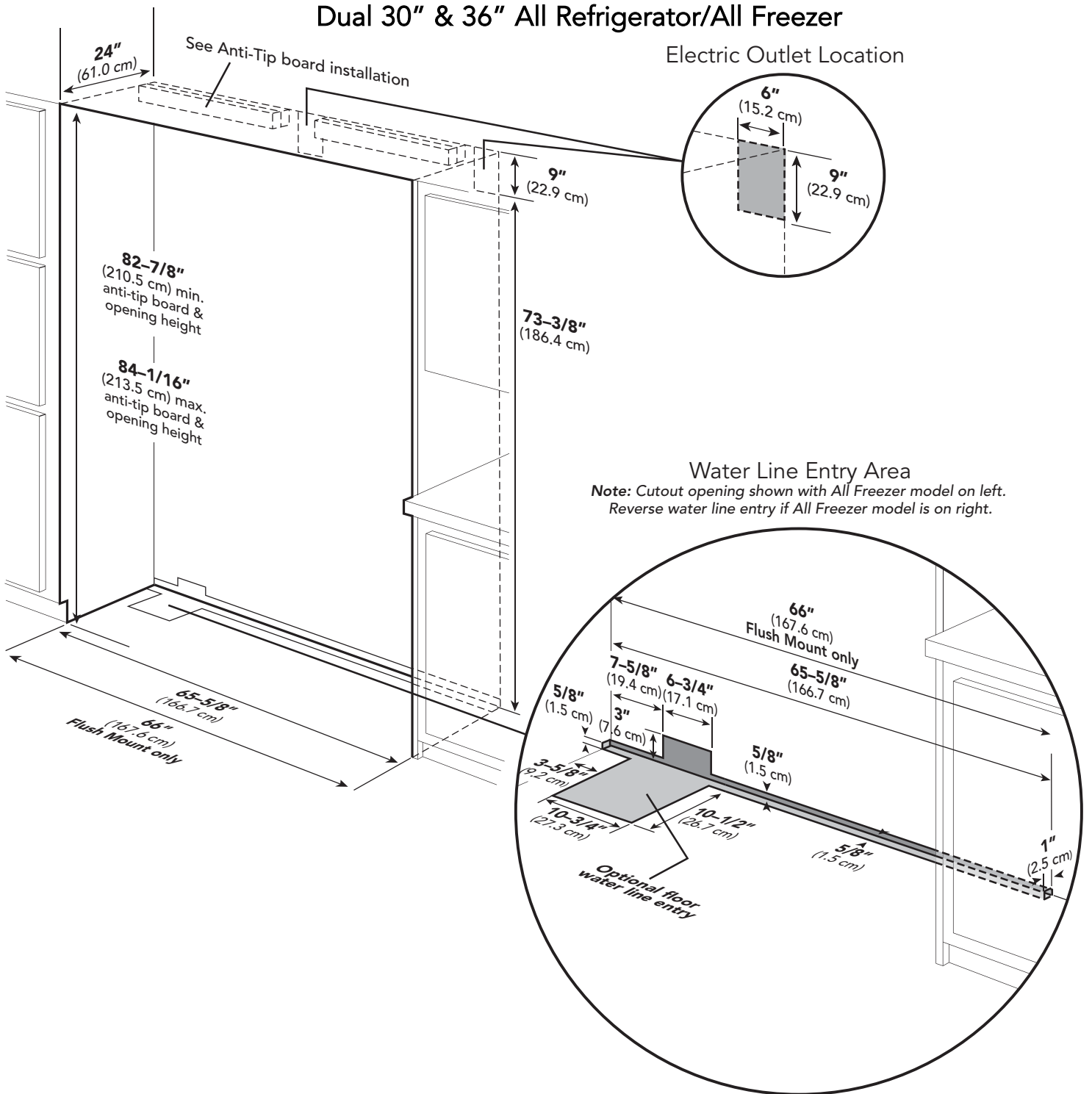
Flush Mount Anti-Tip Location



Bottom of anti-tip board is 3-7/8" (9.8 cm) below opening height.
Note: Top of unit must be placed firmly under anti-tip board.

Cutout Dimensions

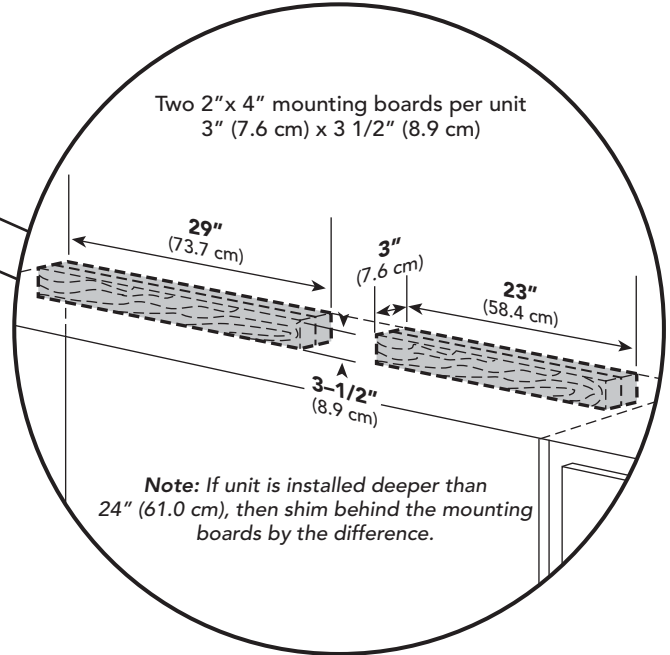
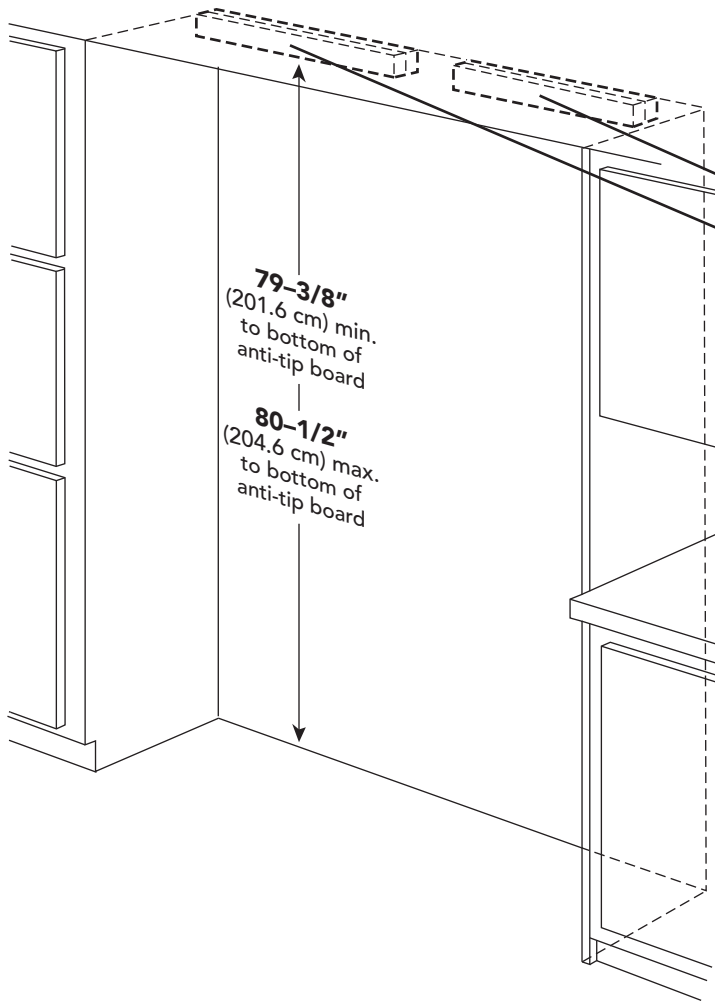
Dual 30" & 36" All Refrigerator/All Freezer



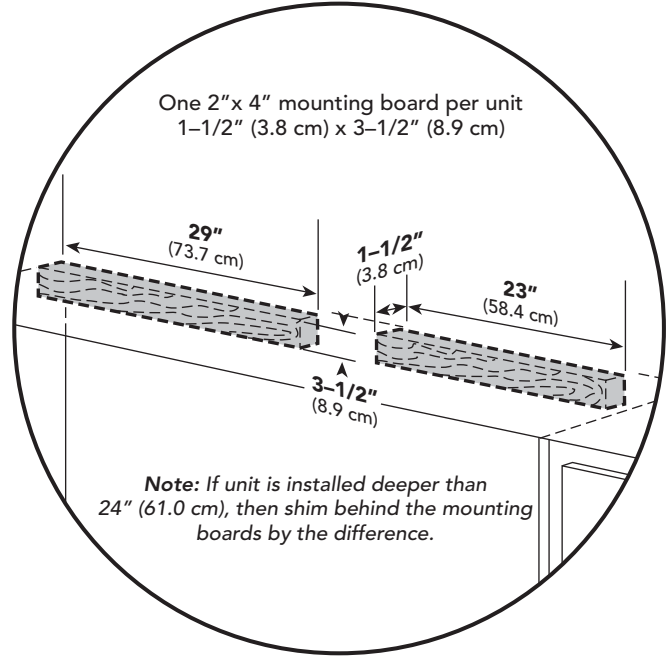
Anti-Tip Dimensions

Dual 30" & 36" All Refrigerator/All Freezer

Anti-Tip Location



Flush Mount Anti-Tip Location

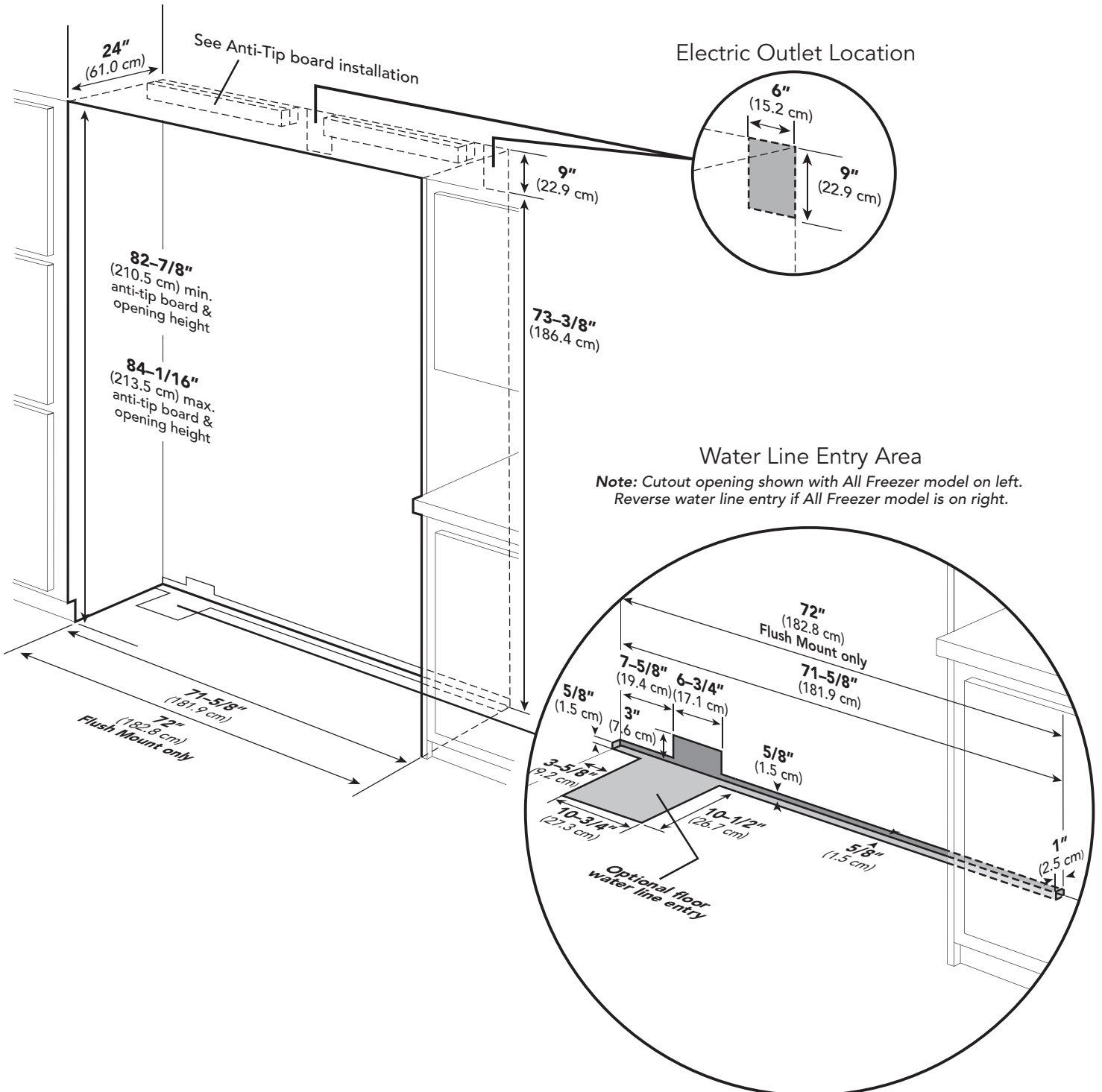


Bottom of anti-tip board is 3-7/8" (9.8 cm) below opening height.
Note: Top of unit must be placed firmly under anti-tip board.

Note: Dimensions shown for 36" AF/AR model on the left.
Reverse mounting boards if units are installed on the right.

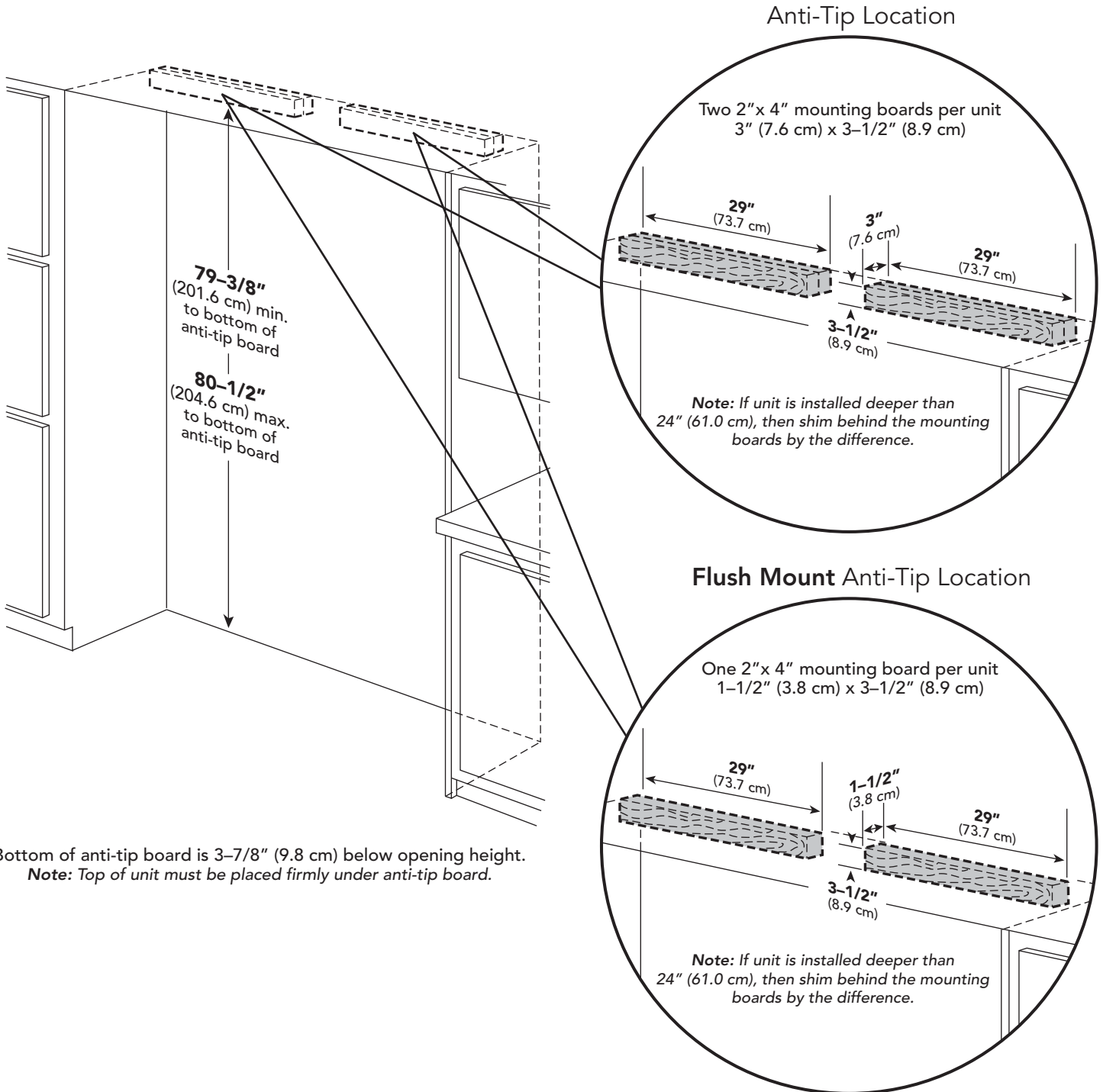
Cutout Dimensions

Dual 36" All Refrigerator/All Freezer



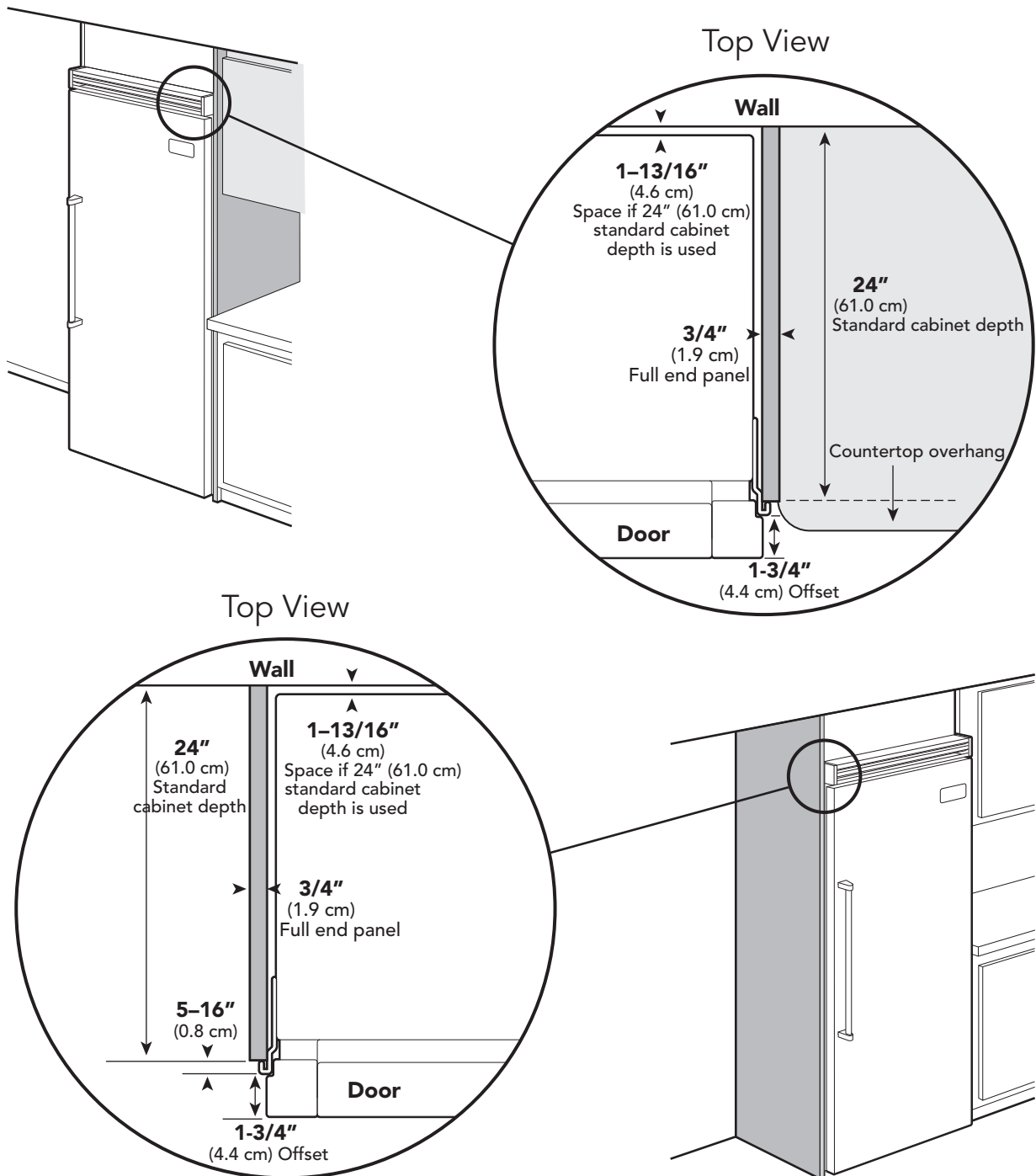
Anti-Tip Dimensions

Dual 36" All Refrigerator/All Freezer



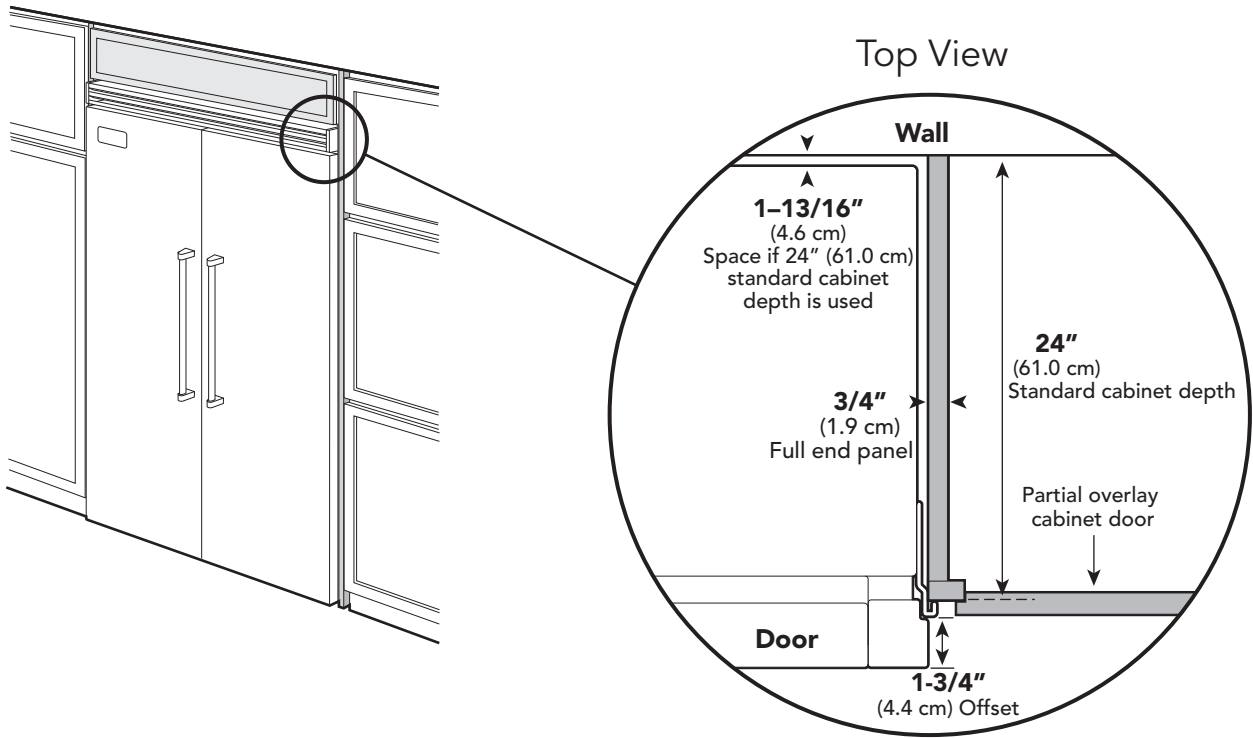
Cabinet Information

Professional models fit "semi-flush" in standard 24" (61.0 cm) deep cabinet openings. The door face protrudes 1-3/4" (4.4 cm) from the cabinet face. The handle protrudes an additional 2-1/2" (6.4 cm) into the room.



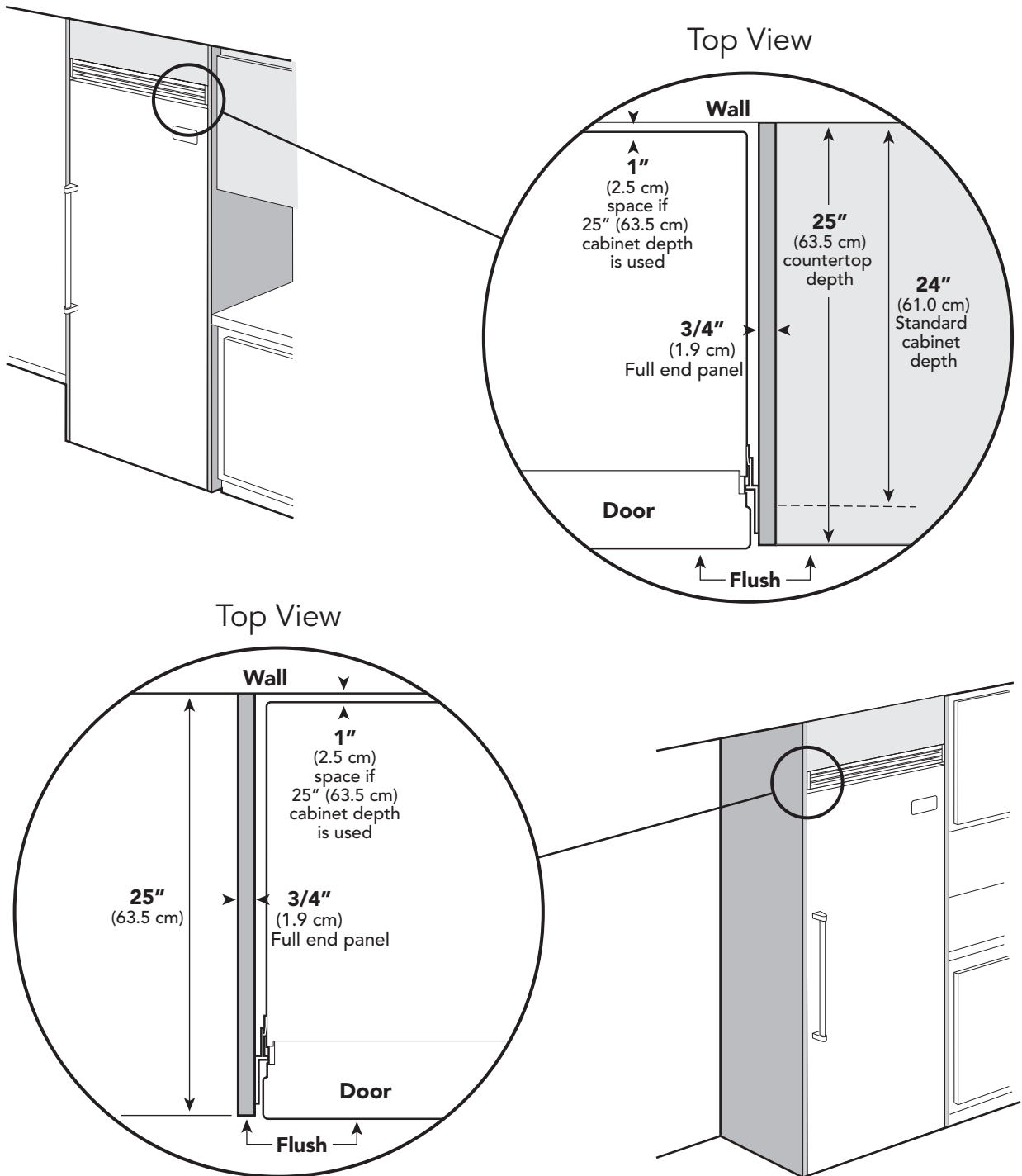
Cabinet Information

Professional models fit "semi-flush" in standard 24" (61.0 cm) deep cabinet openings. The door face protrudes 1-3/4" (4.4 cm) from the cabinet face. The handle protrudes an additional 2-1/2" (6.4 cm) into the room.



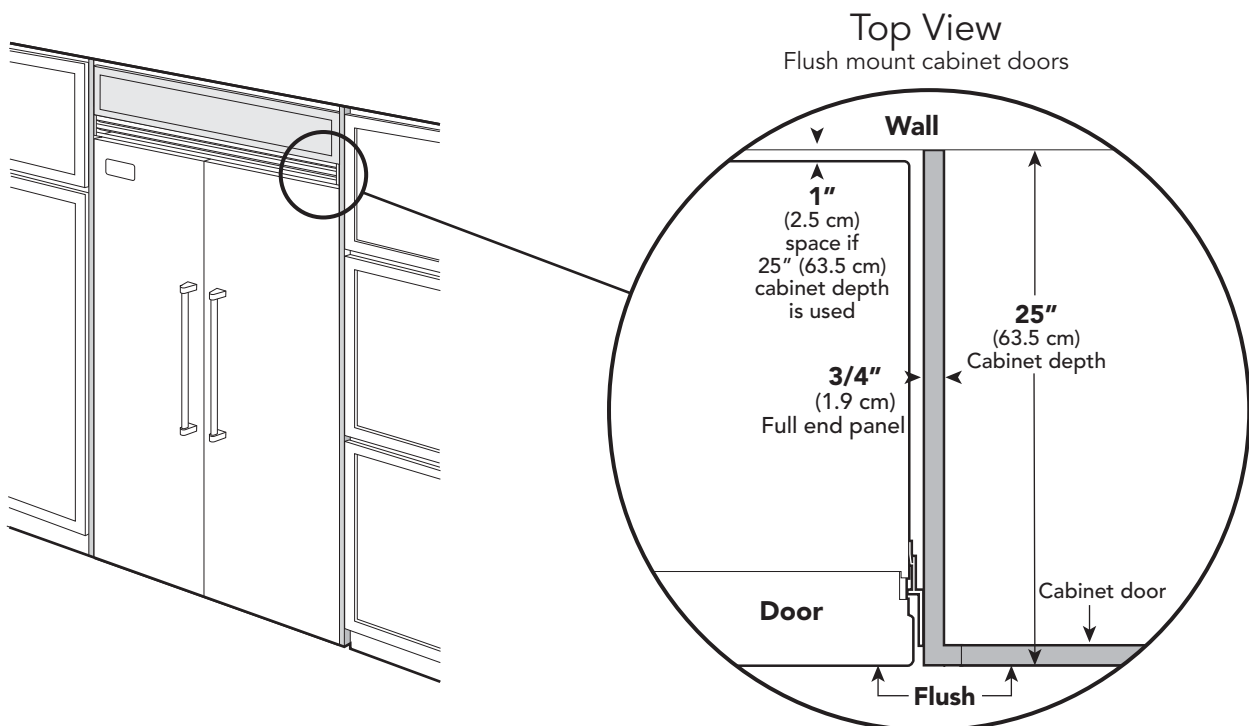
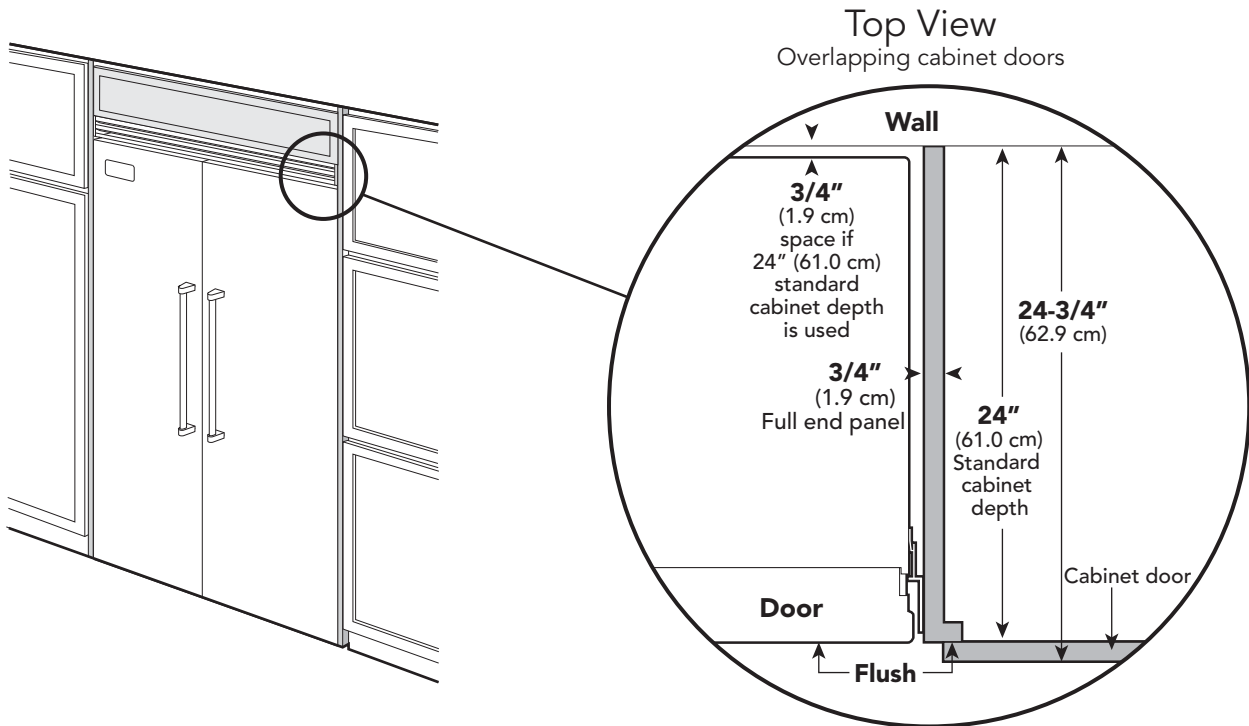
Cabinet Information (With Flush Mount Trim)

Models with flush mount trim fit flush in standard 24" (61.0 cm) deep cabinet openings with no protrusion into the room except the handle protrudes 2-1/2" (6.4 cm) into the room.

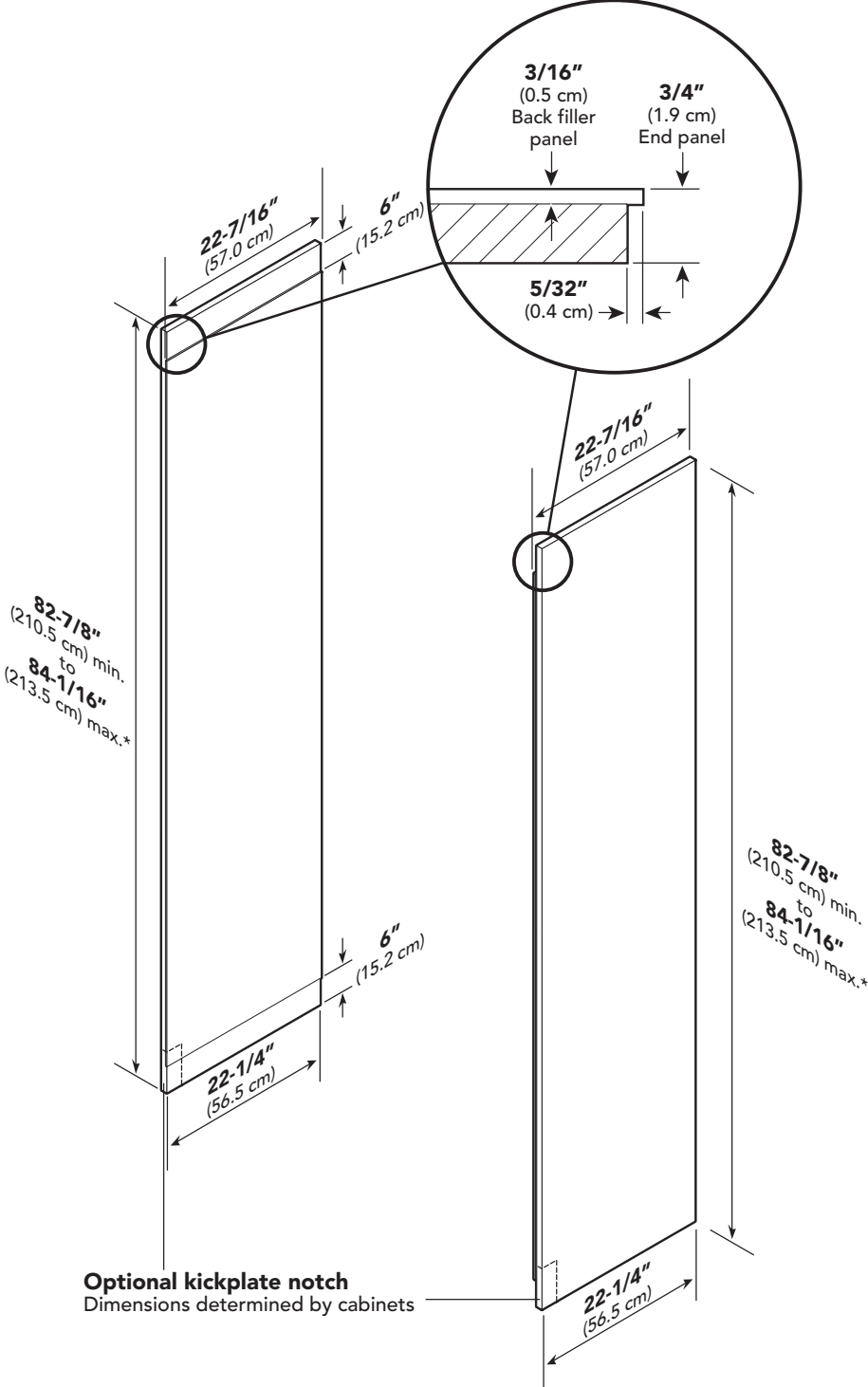


Cabinet Information (With Flush Mount Trim)

Models with flush mount trim fit flush in standard 24" (61.0 cm) deep cabinet openings with no protrusion into the room except the handle protrudes 2-1/2" (6.4 cm) into the room.



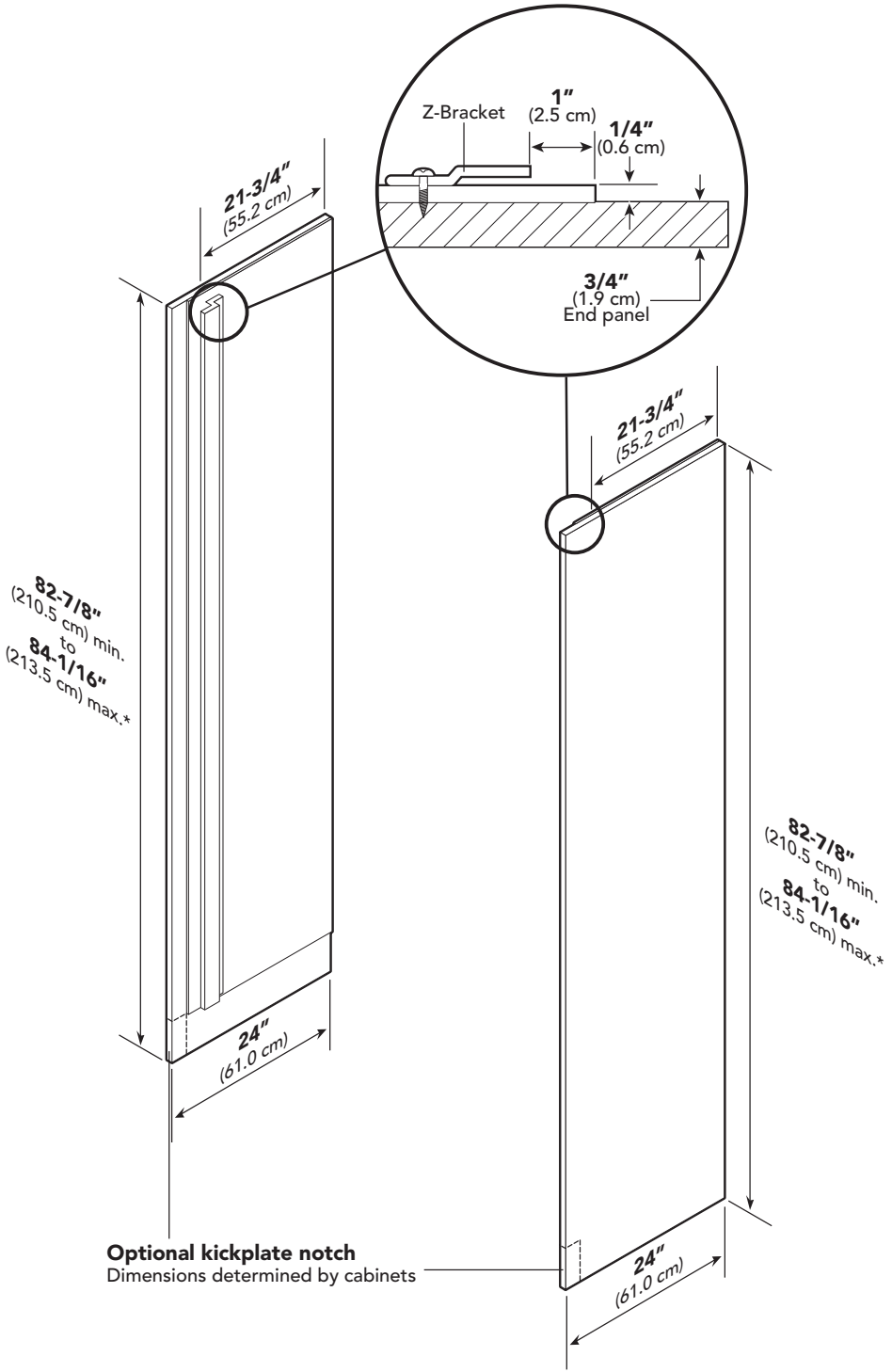
Custom Side Panel Dimensions



* Depending on how high leveling feet are raised, and cabinet enclosure height.

Custom Side Panel Dimensions

(With Flush Mount Trim)



* Depending on how high leveling feet are raised, and cabinet enclosure height.

General Information

Area Requirements

Verify the following:

- Unit can fit into residence and can be moved around corners and through doorways.
- Floors can support unit's weight plus food weight (approximately 1200 pounds [540 kg] per unit).
- Floors underneath appliance are level with surrounding finished floor.
- Rear wall is solid and is able to support two horizontally mounted 2 X 4s (included) bolted to two wall studs. The 2 X 4 board bolt heads must be flush with 2 X 4 to prevent obstruction.
- Remove anything attached to rear or side walls that can obstruct unit installation.
- Cutout dimensions are accurate.
- Electrical outlet is in correct location.
- Water line is in correct location.
- Do not install a refrigeration unit near a heat source, nor in a location where the surrounding temperature will fall below 60° F (16° C).

Electrical Requirements

It is the customer's responsibility to:

- contact a qualified electrical installer.
- assure that the electrical installation is adequate and in conformance with the National Electrical Code, ANSI/NFPA 70- latest edition or Canadian Electrical Code C22.1-1998 and C22.2 No. 0-M91 (or latest edition), and all local codes and ordinances. A 115 volt, 60-Hz, 15 amp, fused, electrical supply is required.

It is required that a separate circuit serving only this appliance be provided. This appliance is equipped with a power supply cord having a 3-prong grounding plug. To minimize possible shock hazard, the cord must be plugged into a mating 3-prong, grounding-type wall receptacle.

Do not use an extension cord.

If codes permit a separate grounding wire to be used, it is recommended that a qualified electrician determine that the grounding path is adequate.

DO NOT ground to a gas pipe. Check with a qualified electrician if you are not sure the appliance is properly grounded. **DO NOT** have a fuse in the neutral or grounding circuit.

Anti-Tip Requirements

The anti-tip boards should be fastened into position prior to moving the unit into the opening.

Note: Additional mounting boards may be required if the unit does not touch the back wall of the enclosure. To prevent unit from tipping forward, it must be secured in place with a solid soffit or wood block.

General Information

Water Supply Requirements (All Freezer)

⚠ WARNING

To avoid serious illness or death, do not use unit where water is microbiologically unsafe or of unknown quality without adequate disinfection before or after the system. Systems certified for cyst reduction may be used on disinfected water that may contain filterable cysts. The contaminants or other substances removed or reduced by this water treatment system are not necessarily in your water.

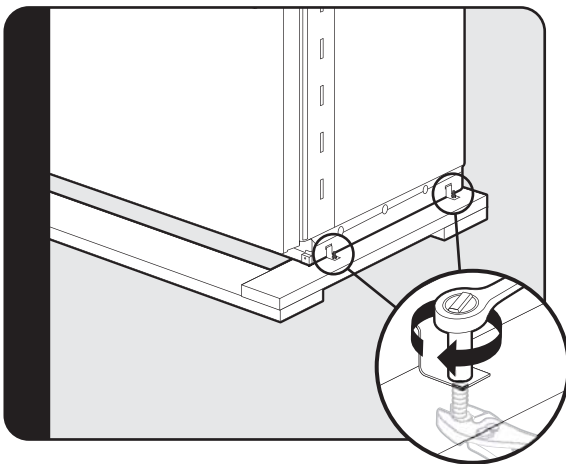
Use only 1/4" (6 mm) copper tubing for water line. Do Not install copper tubing in area where temperatures drop below 35° F (1.7° C). Before attaching copper tubing to the unit, flush at least 2 quarts (1.9 L) of water through the copper tubing and into a bucket to remove any particles in the water line.

- Viking Range, LLC is not responsible for property damage due to improper installation or water connection.
- Connect 1/4" (6 mm) flexible copper tubing to household plumbing in compliance with local codes and ordinances.
- Length of copper tubing must reach from water supply connection to the unit connection with an additional length to facilitate moving the unit out of enclosure for cleaning or service. Tubing should be soft instead of rigid and ends should be free of burrs.
- Copper tubing route must be above 35° F (1.7° C) to prevent water line from freezing.
- Do not use plastic water lines from the household plumbing to the water inlet valve connection on the unit.
- Do not use the self-piercing feature of a saddle valve. The hole made by the piercing lance is too small for the water flow rate required by the ice maker.
- If saddle valve is not used, place a separate shut-off valve in an easily accessible location between water supply and the unit. Do not locate shut-off valve behind the unit.
- The installation of Viking units with a reverse osmosis system is acceptable as long as the water pressure remains within the allowable PSI as stated below. It is important to note that with many reverse osmosis systems, the pressure starts off high, but then it decreases as the water level of the reverse osmosis storage area drops. This must be considered when checking the water pressure coming into the unit.
- Connect a vertical or horizontal 1/2" (1.2 cm) to 1-1/4" (3.2 cm) COLD water line near water area.
- Run water line through the floor, back, or side wall. Tubing should lay flat on floor underneath the unit. Clamp tubing to wall or floor.
- Water pressure must be greater than 20 psi and less than 120 psi on non-dispensers and greater than 35 psi and less than 120 psi on dispensers.

General Information

- Most of the unit's weight is at the top. Extra care is needed when moving the unit to prevent tipping.
- Do Not remove protective film until unit is in operating position.
- All four leveling legs must contact the floor to support and stabilize the full weight.
- Do not drop unit.
- Remove exterior shipping materials prior to moving unit into home.
- Use two or more people to move and install unit. Failure to follow this instruction can result in back or other injury.
- To avoid personal injury, wear gloves when performing any installation procedure and wear eye protection when cutting metal straps.

Moving Unit



Remove shipping brackets from skid by removing 4 bolts (2 on each side) with a 1/2" deep-well socket wrench and a pair of pliers.

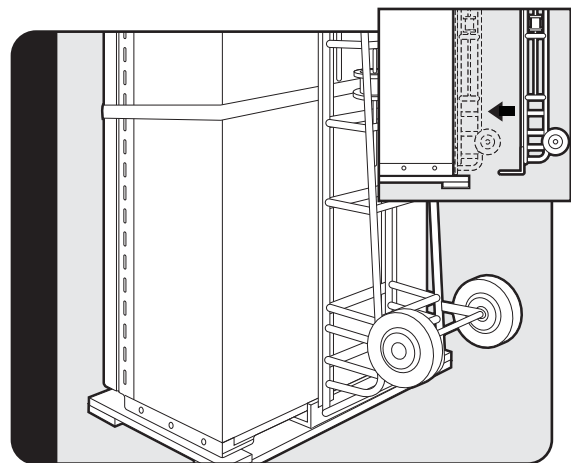
Note: Tilting unit is not required to remove shipping brackets.

Tip Over Hazard

Appliance is top heavy and tips easily when not completely installed. Keep doors closed until appliance is completely installed and secured per installation instructions. Use two or more people to move and install appliance. Failure to do so can result in death or serious injury.

Unpacking unit

1. Remove top and bottom strap.
2. Remove top cap.
3. Cut carton rear approximately 1/4" (0.6 cm) to 1" (2.5 cm) from right corner with a utility knife extended 1/4" (0.6 cm).
4. Remove carton and exterior packaging. Save cardboard shipping material to protect floor surface when installing unit. Remove anti-tip board, kickplate and door trim pieces (DF models) from rear of unit.



Slip appliance dolly between unit and skid. Only use dolly from the rear of the unit to remove unit from skid. After the unit is removed from the skid, a dolly can be used from either side or the back BUT NOT THE FRONT. *Note: Use excess packaging to protect decorative trim; also, verify that leveling legs are up (0" adjustment).*

Flush Mount Side Trim Installation

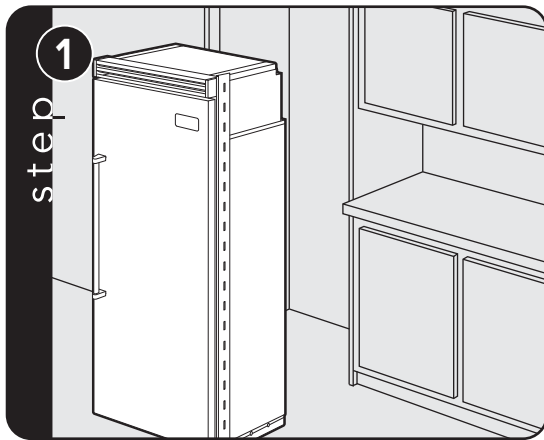
Note: If the unit is to be installed flush with the cabinets, the flush mount side trim must be installed first. If not, skip to "installation".

Step 1 - Locate the necessary parts: Two (2) flush mount trim pieces and a hardware kit with twenty-two (22) screws.

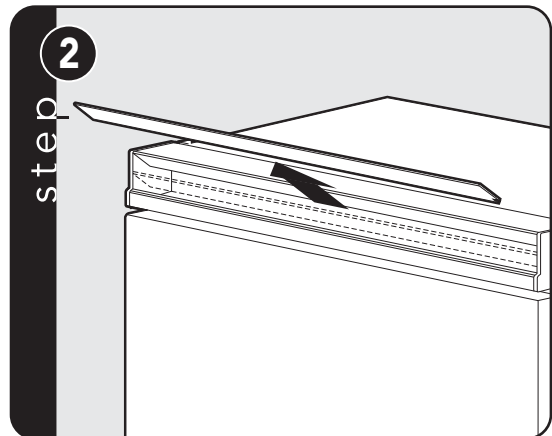
Step 2 - Remove the side trim on the refrigerator and discard the trim and screws.

Step 3 - Align the top of the flush mount side trim with the top of the unit's machine compartment. Using the screws included in the hardware kit, attach the side trim to the unit, only using the holes visible through the side trim. **Note:** Do not use the screw holes in the machine compartment.

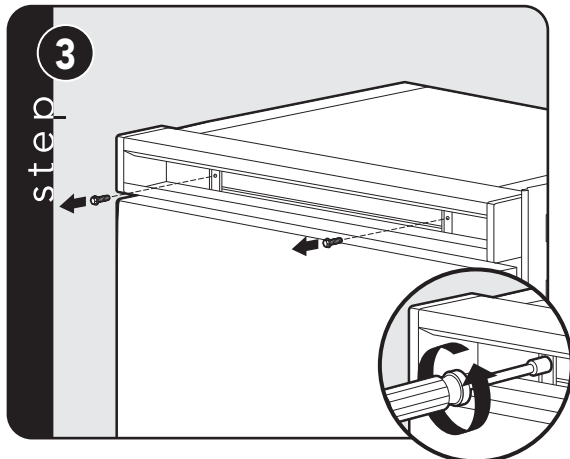
Installation



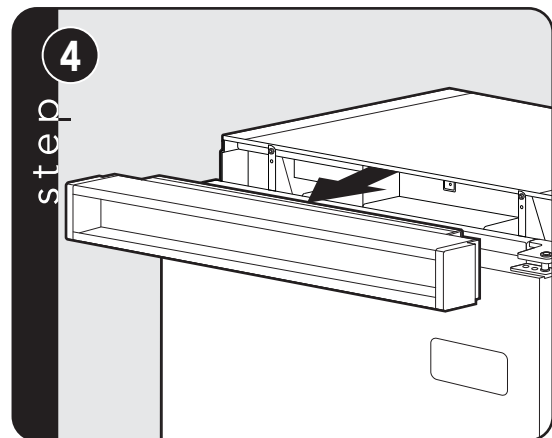
Place unit in front of cutout.



Pull the center grille louver up at an angle and pull out.

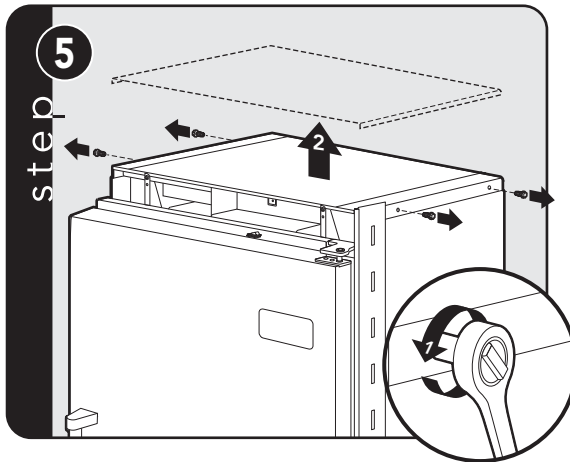


Using an 8" magnetic nut driver, remove the two 1/4" screws.

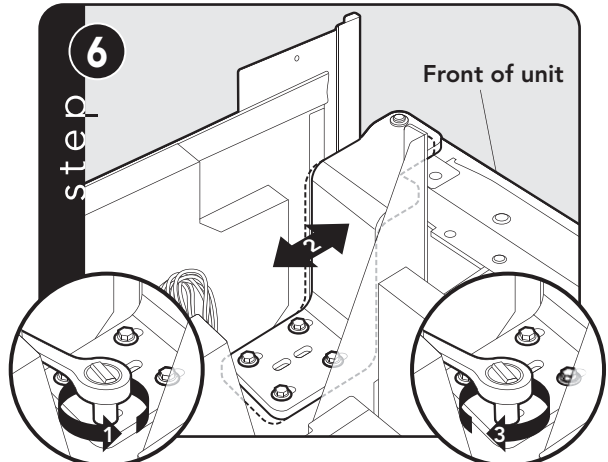


Remove grille assembly.

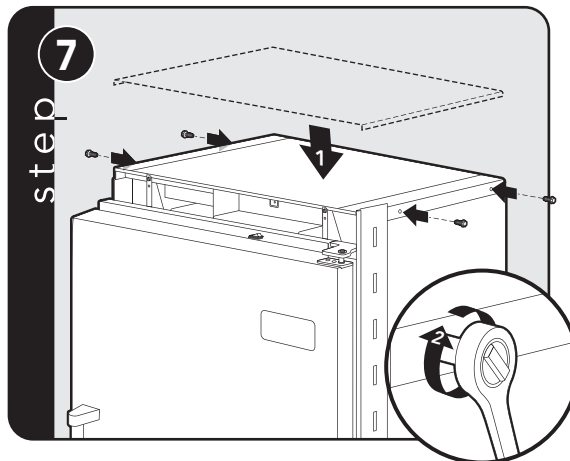
Hinge Adjustment



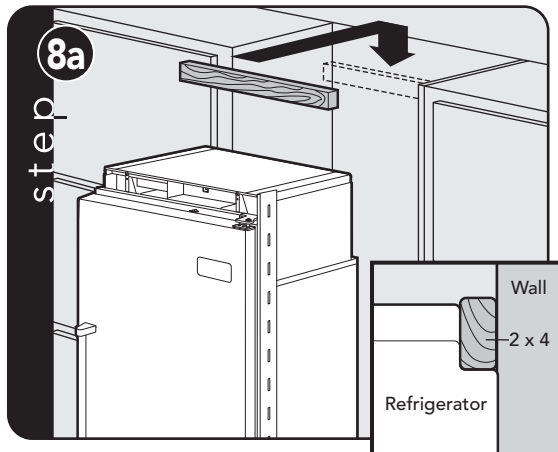
Remove 4 side screws and remove unit top.



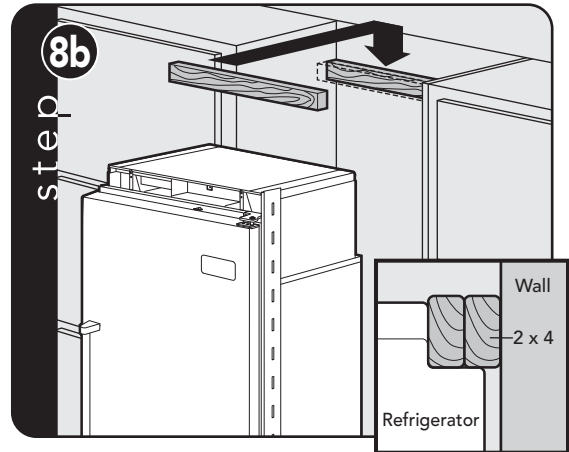
Loosen the 4 hinge screws. Adjust door. Retighten 4 hinge screws.



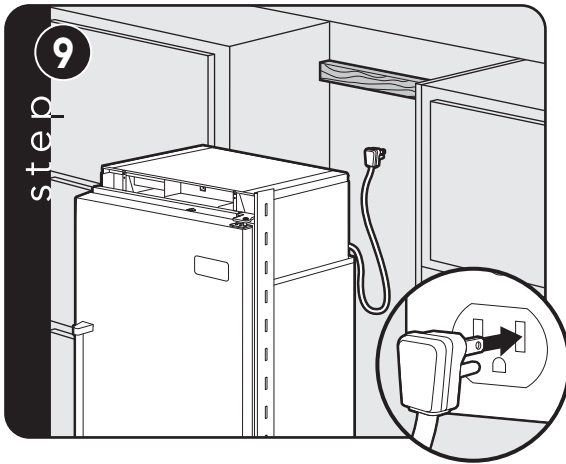
Replace unit top. Replace 4 side screws.



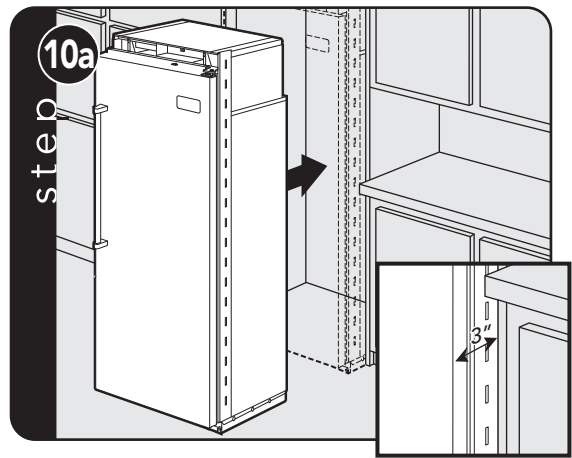
Attach a single 2 x 4 to wall stud (refer to dimensions page for exact location).



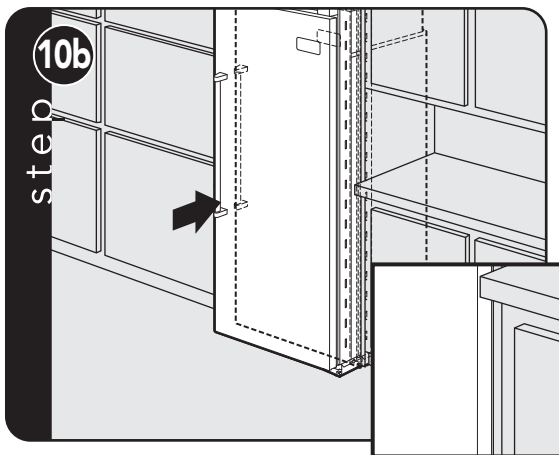
If needed, depending on cabinet and depth, attach second 2 x 4 to first 2 x 4.



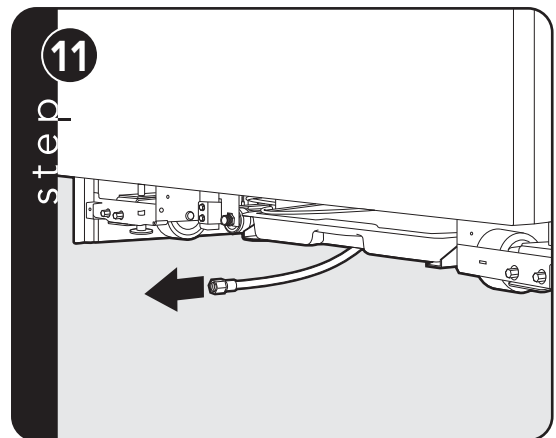
Plug in power cord to verify operation.
 Note: Make sure power switch and showroom switch are in the "On" Position.



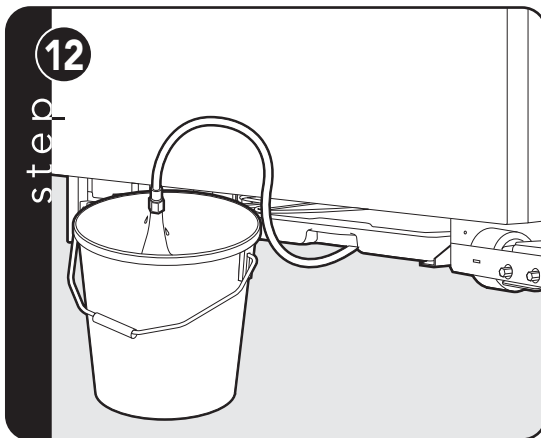
Place unit within 3" of being flush with cabinets.
 Note: To avoid cabinet damage, place cardboard between cabinets and unit. When moving unit, do not crimp, kink or crush water supply line.



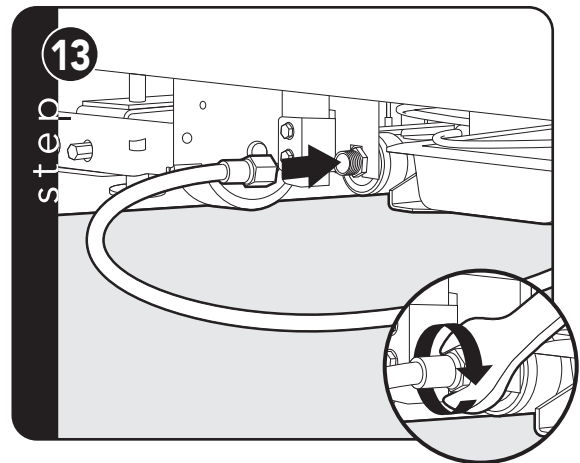
Carefully move unit until semi flush with cabinet (depending on unit).



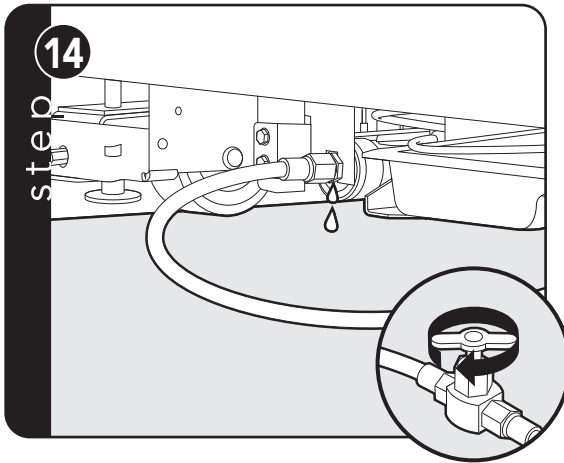
Pull supply tubing forward under unit.
 Note: DO NOT use plastic water lines.



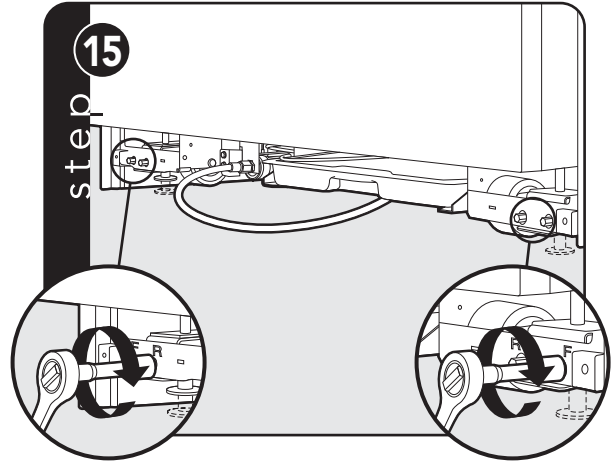
Flush water line by running two quarts of water into a bucket. Turn water off.



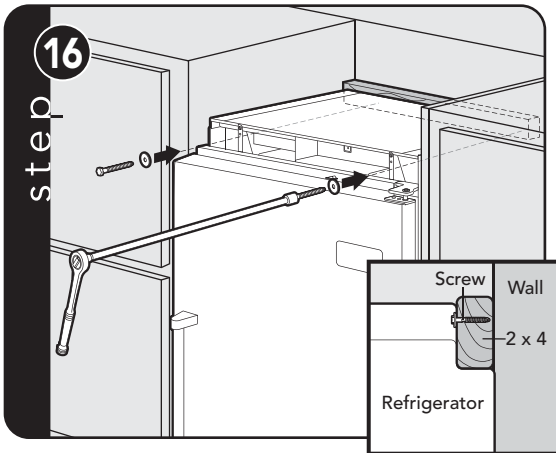
Connect supply tube to water valve using a 1/2" wrench. Note: DO NOT overtighten.



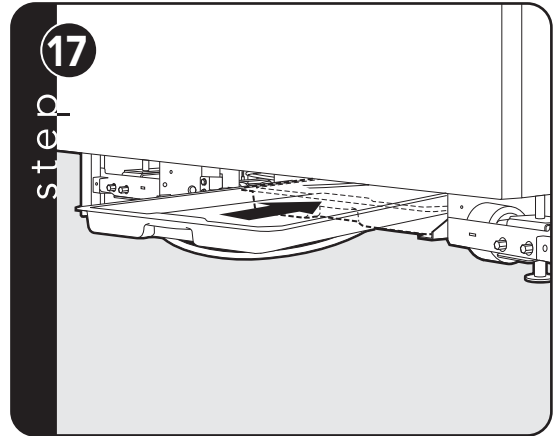
Turn on water supply and check for leaks.



Lift unit off rollers to desired height and level unit using a 5/16" head wrench.
Note: DO NOT use an electric device. Overtightening can cause damage.

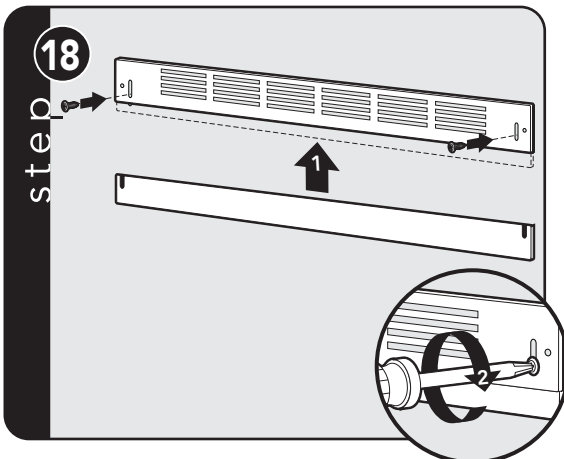


Attach positive secure self-tapping bolts to 2 x 4 using a 22" extension.

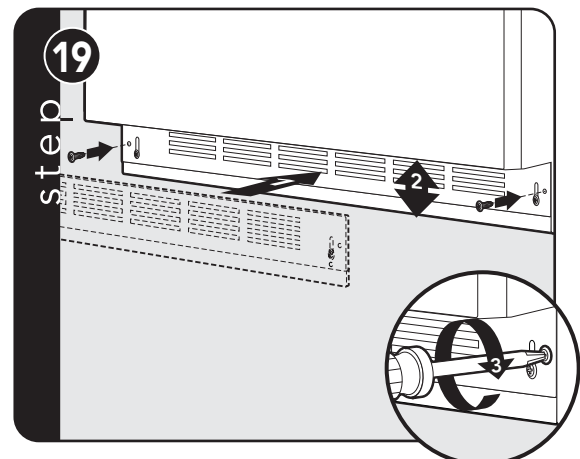


Verify that drain pan is installed and aligned.

Kickplate Installation

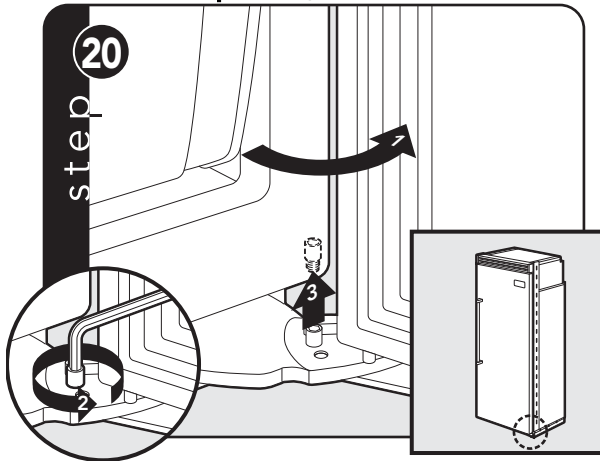


Align holes on both ends of louvered panels and insert screws.



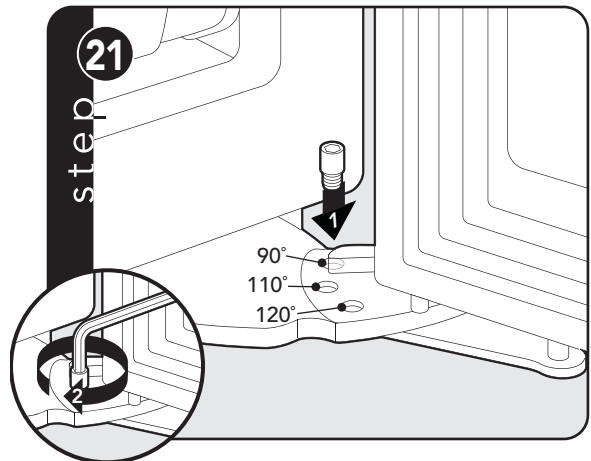
Using a Phillips screwdriver, attach the kickplate to the unit and adjust to desired height.

Door Stop Adjustment



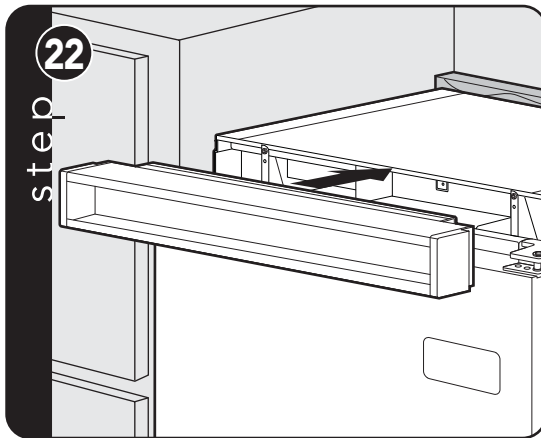
Open refrigerator door so door stop and shoulder screw are accessible.

Note: Shoulder screw should be in 110° door opening position.

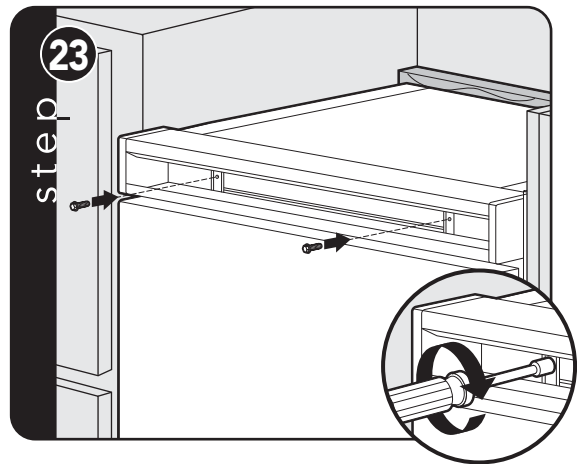


Remove shoulder screw and place in 90° or 120° position.

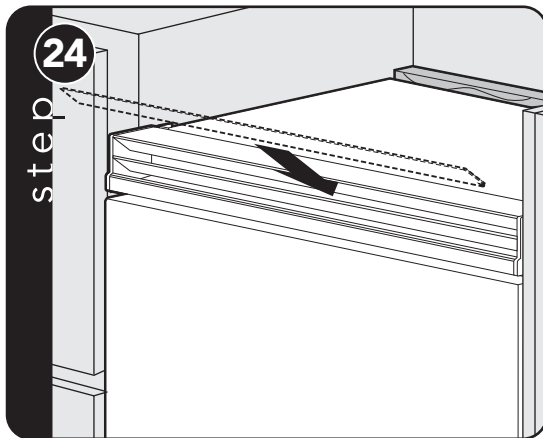
Final Installation



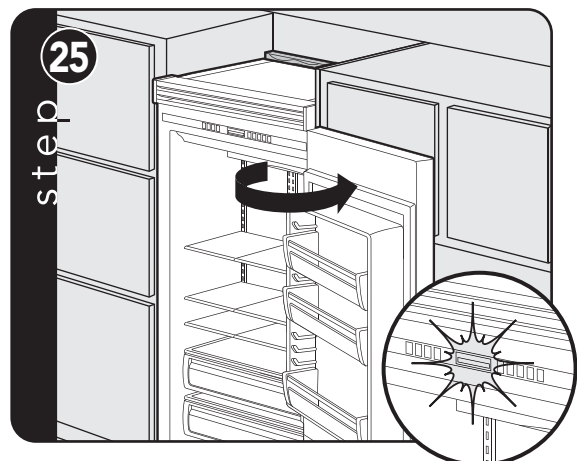
Replace top air grille.



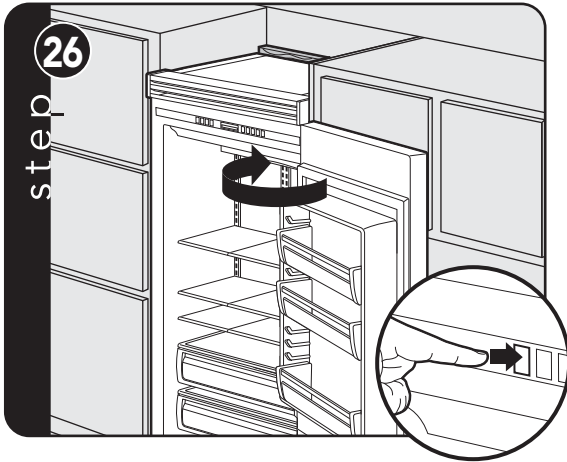
Using an 8" magnetic nut driver, replace the two 1/4" screws.



Replace the center grille louver.



Open door. Display should flash.



Press "ACTIVATE CONTROLS" button pad and close door.

Note: There is a 6 minute delay before the unit starts.

Performance Checklist



- Verify cabinet size.
- Verify electrical supply and water supply (if applicable).
- Install anti-tip device(s) and verify unit is secure.
- Position unit in cutout, level at desired height, and secure unit.
- Plug-in unit and verify operation.
- Connect water supply (if applicable).
 - Verify icemaker fill tube is properly inserted.
 - Verify icemaker bailarm is down.
- Align/square door(s).
- Verify drain pan is properly installed and there are no leaks in water connection.
- Install kickplate.
- Remove internal packaging and labels and wipe unit down.

Installer's information:

Installer's name: _____

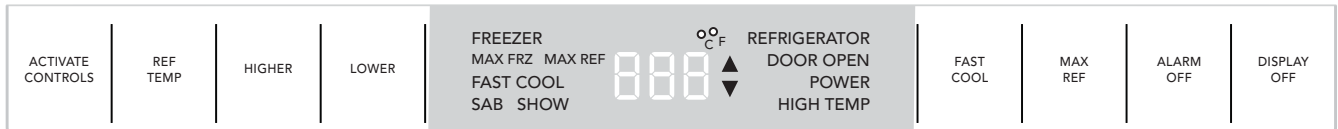
Installer's company: _____

Date: _____

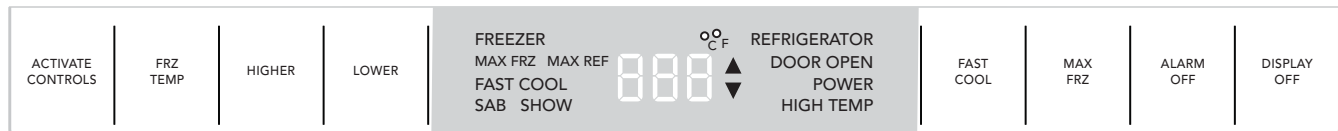
Verify Operations

Control Panels

All Refrigerator



All Freezer



1. Press "Activate Controls" pad.
2. Verify unit is not in Sabbath Mode.
If in Sabbath Mode:
 - A. The Sabbath Mode will disable the interior lights, display (except SAB indicator, temperature and compartment indicator) and alarm.
To exit the Sabbath Mode:
 - A.. Press and hold "Activate Controls" and then "Display Off" for 3 seconds.
(The control will beep three times to alert the user the Sabbath Mode has been exited.)
3. Verify unit is not in Showroom Mode.
If in Showroom Mode:
 - A. The Showroom Mode will disable the refrigeration system but all other functions are normal.
These include lights and control. (If the refrigerator is in Showroom Mode, SHOW will be lit.)
To exit Showroom Mode:
 - B. Press and hold "Activate Controls"; while holding, press and hold "Higher" and "Alarm Off" together. (The control will beep three times to alert the user that Showroom Mode has been exited.)
4. Press "Activate Controls" then press and hold "Lower"; while holding, press and hold "Display Off" and hold until beeps (force start compressor).
5. All models need to be set at 38° F and 0° F for the refrigerator and freezer respectfully - factory setting.

Service & Registration

If service is required, call your dealer or authorized service agency. The name of the authorized service agency can be obtained from the dealer or distributor in your area.

Have the following information readily available.

- Model number
- Serial number
- Date purchased
- Name of dealer from whom purchased

Clearly describe the problem that you are having. If you are unable to obtain the name of an authorized service agency, or if you continue to have service problems, contact Viking Range, LLC at 1-888-(845-4641), or write to:

**VIKING RANGE, LLC
PREFERRED SERVICE
111 Front Street
Greenwood, Mississippi 38930 USA**

Only authorized replacement parts may be used in performing service on the appliance. Do not repair or replace any part of the appliance unless specifically recommended in the manual. All other servicing should be referred to a qualified technician.

Record the following information indicated below. You will need it if service is ever required. The serial number and model number for your appliance are located on the identification plate mounted behind the top light.

Model number _____

Serial number _____

Date of purchase _____ Date installed _____

Dealer's name _____

Address _____

Viking Range, LLC
111 Front Street
Greenwood, Mississippi 38930 USA
(662) 455-1200

For product information,
call 1-888-(845-4641)
or visit our web site at vikingrange.com in the US
or brigade.ca in Canada

