

ContourLine
60cm Speed Oven

H 6700 BM



ContourLine 60cm Speed Oven H 6700 BM



H 6700 BM

Features:

- M Touch innovative and revolutionary controls are both easy to operate and navigate. An intuitive swipe of the screen will quickly lead you to your desired selection
- 19 operating modes
- Rapid Preheat
- Roast probe for perfect roasting results
- MasterChef menu offers over 100 food types to cook to perfection
- Favorites - up to 20 recipes
- 1,000 watt microwave
- Popcorn button
- Minute Plus button - time and power individually programmable
- PerfectClean interior
- Timer
- Sabbath Program
- ComfortSwivel handle moves with the motion of your wrist, creating a more ergonomic feel when opening and closing the oven door

SPECIFICATIONS

H 6700 BM – Item 22680054USA

Overall Unit Width - Excluding Fascia Dimension	22 ¹ / ₁₆ " (560mm)
Overall Height - Excluding Fascia Dimension	17 ¹ / ₂ " (445mm)
Overall Unit Depth - Excluding Fascia Dimension	21 ⁹ / ₁₆ " (549mm)
Oven Door Clearance	34 ¹³ / ₁₆ " (885mm)
Overall Fascia Dimensions	23 ⁷ / ₁₆ " (595mm) W x 17 ¹⁵ / ₁₆ " (455.5mm) H x 7 ⁷ / ₈ " (22mm) D

Built-In

Cabinet Width	22 ¹ / ₁₆ " – 22 ³ / ₈ " (560mm)
Minimum Cabinet Depth	min. 21 ⁷ / ₈ " (550mm)
Minimum Cabinet Opening Height	17 ³ / ₄ " – 17 ¹³ / ₁₆ " (448 – 452mm)
Minimum Base Support	125 lbs

Additional Cut-outs Required

No

Electrical

Electrical Requirements	240/208V AC, 60Hz, 20A circuit with Nema 14-30 outlet
Power Cord	7' 2" (2.2m) Molded NEMA 14-30 configured plug
Cut out for power cord	Minimum 3" square
Electrical Rating	2.2kW (240V), 1.76kW (208V)
Total Amps	9.16A on 240V, 8.46A on 208V

Shipping

Shipping Weight	126 lbs
Shipping Dimensions	25 ⁵ / ₈ " W (727mm) x 24 ¹³ / ₁₆ " (630mm) H x 27" (686mm) L

Support

Call	800.843.7231
20/20	~@2020technologies.com

ContourLine 60cm Speed Oven H 6700 BM



<p>Comfort Handle: Standard with ContourLine (DS 6708 Item #09828380)</p>	<p>ComfortSwivel Handle: Optional for ContourLine Optional for PureLine (DS 6718 Item # 09828390)</p>
--	--

<p>Comfort Handle standard on H 6100 BM</p>		<p>ComfortSwivel Handle standard on H 6700 BM</p>
---	--	---

<p>Silhouette Handle: Standard with Pureline Optional for Contourline (DS 6808 Item # 09828400)</p>	
--	--

<p>Silhouette Handle standard on H 6200 BM and H 6800 BM</p>		
--	--	--

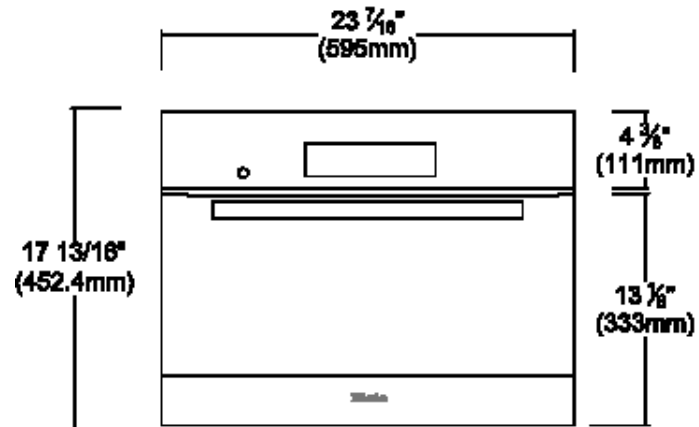
<p>Silhouette Handle (Chrome): Standard with BrilliantWhite (DS 6808 Item # 09828410)</p>	<p>Silhouette Handle: Standard with Truffle Brown (DS 6808 Item # 09870690)</p>
--	--

ContourLine 60cm Speed Oven H 6700 BM

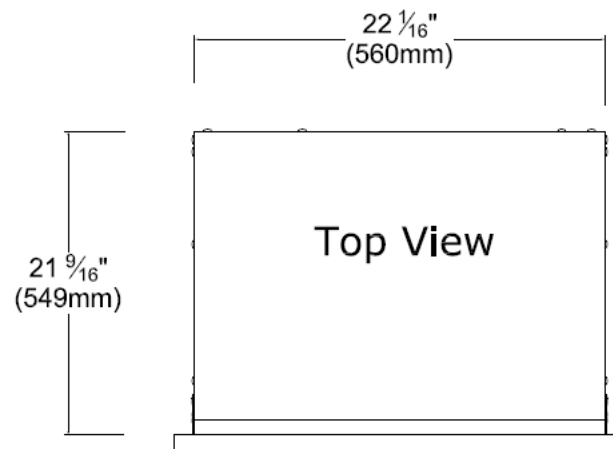


PRODUCT VIEWS

Fascia

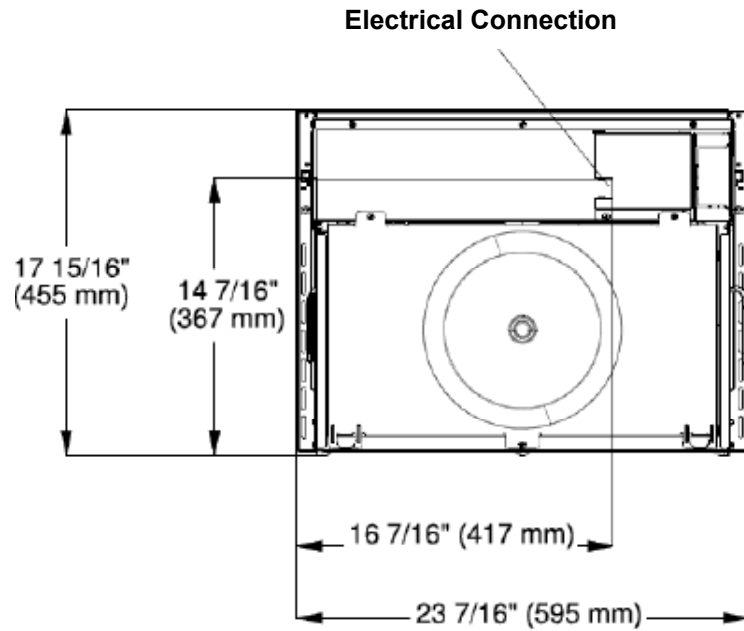


Top View

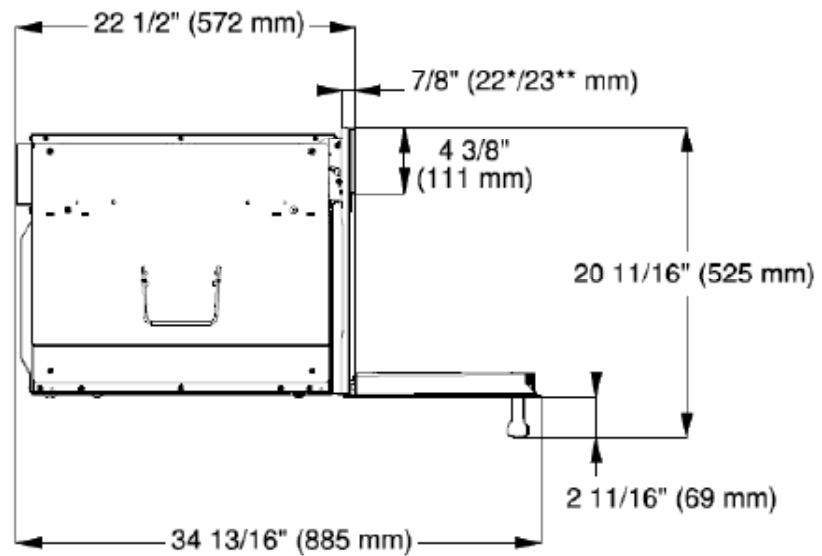


PRODUCT VIEWS

Rear View



Side View



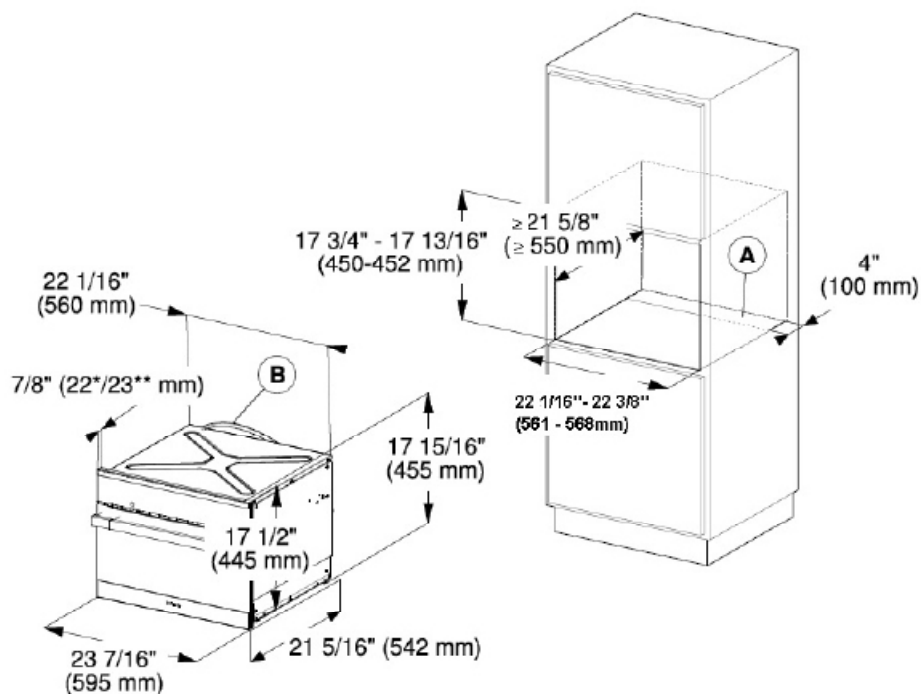
* Oven with glass front
** Oven with metal front

ContourLine 60cm Speed Oven H 6700 BM



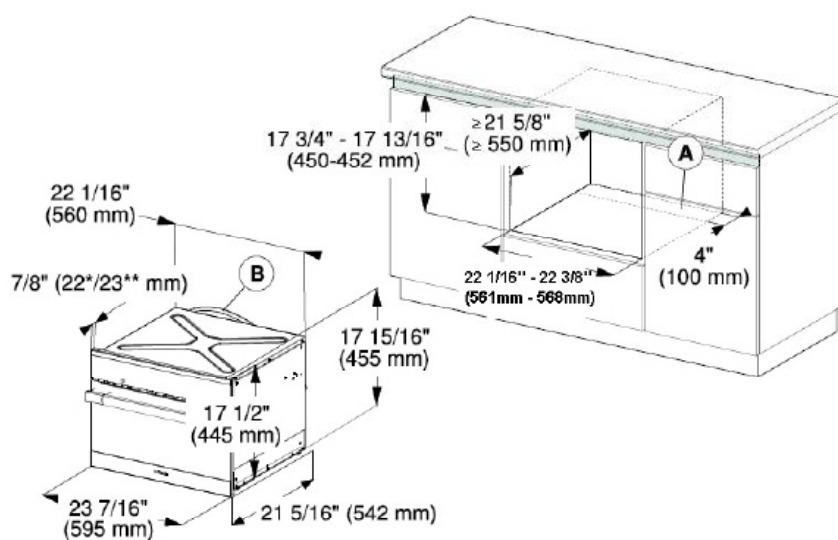
INSTALLATION SPECIFICATIONS

Install in Tall Cabinet



* Oven with glass front
** Oven with metal front

Installation Under Counter



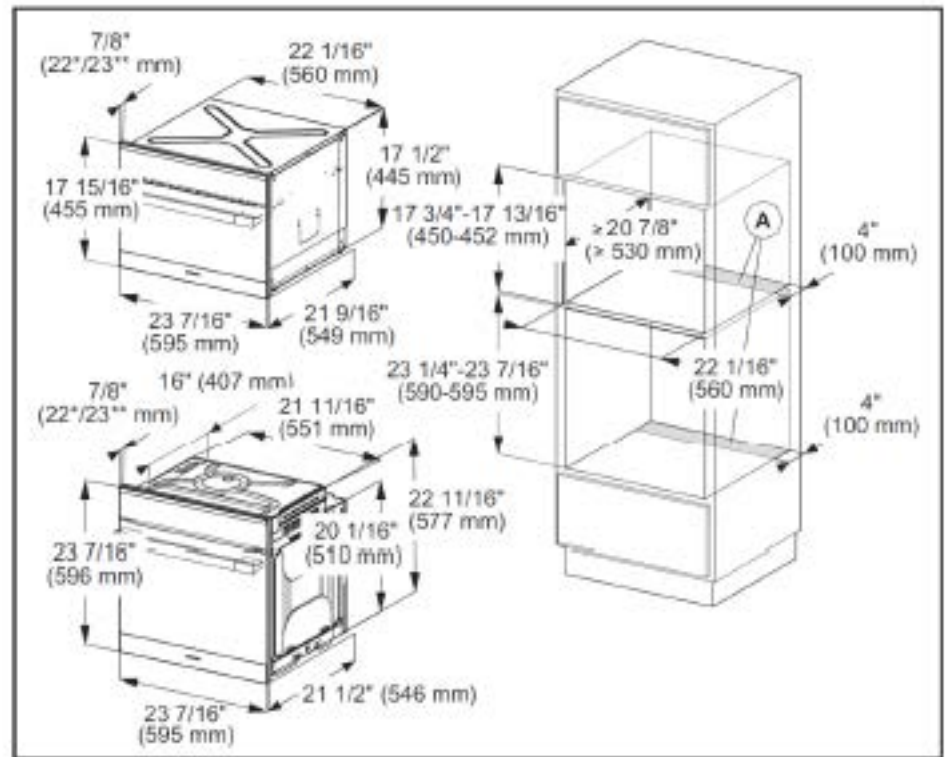
* Oven with glass front
** Oven with metal front

ContourLine 60cm Speed Oven H 6700 BM



INSTALLATION SPECIFICATIONS

Over 60cm Installation



Ⓐ Cut-out (4" x 22" / 100 mm x 560 mm) in the bottom of the cabinet for power cord and ventilation

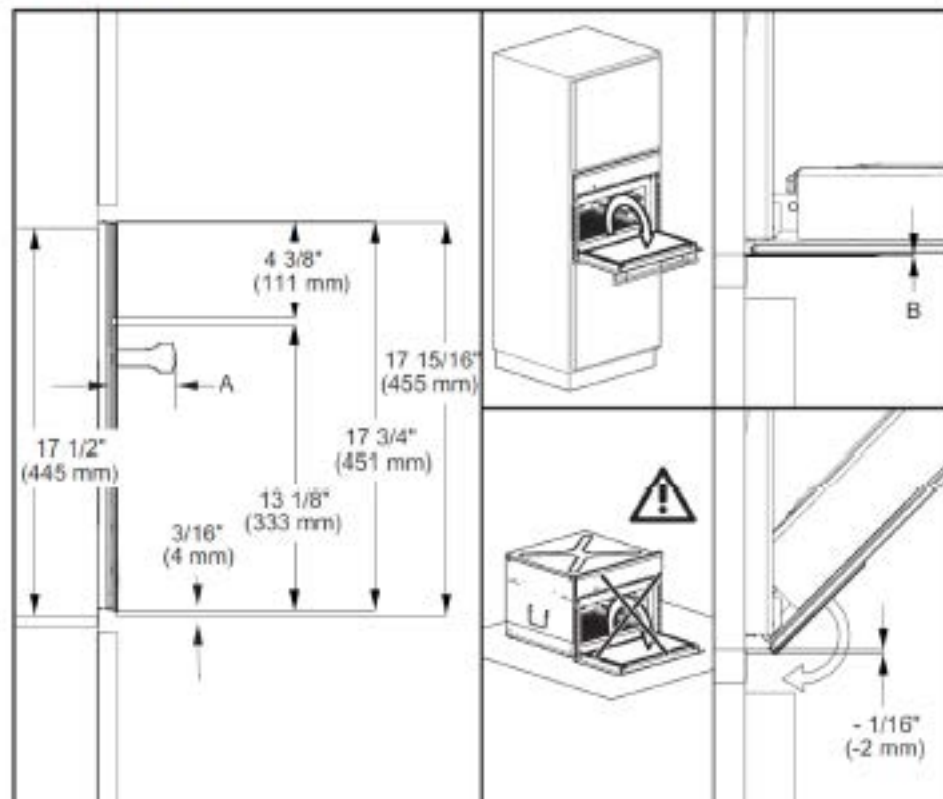
* Oven with glass front

** Oven with metal front

INSTALLATION SPECIFICATIONS

Door Swing

Front dimensions



A H61xx: 2 5/16" (59 mm)

H62xx: 1 5/8" (42 mm)

B Speed Oven with glass front: 1/16" (2.2 mm)

Speed Oven with metal front: 1/16" (1.2 mm)