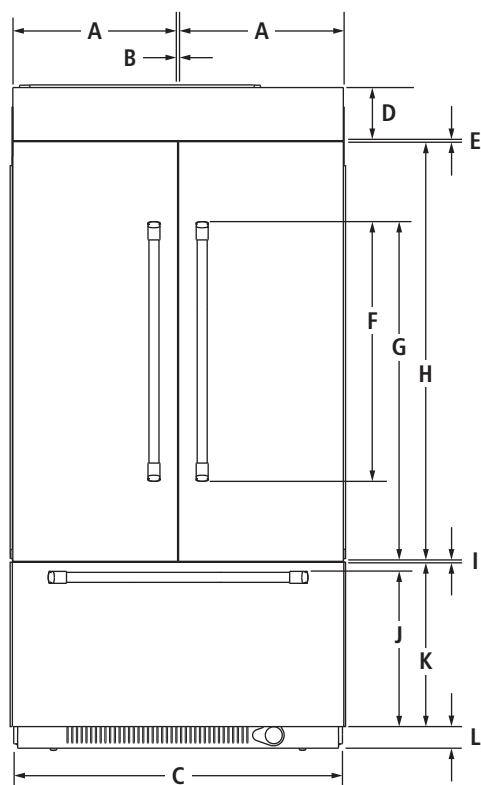


42" FULLY INTEGRATED FRENCH DOOR REFRIGERATOR

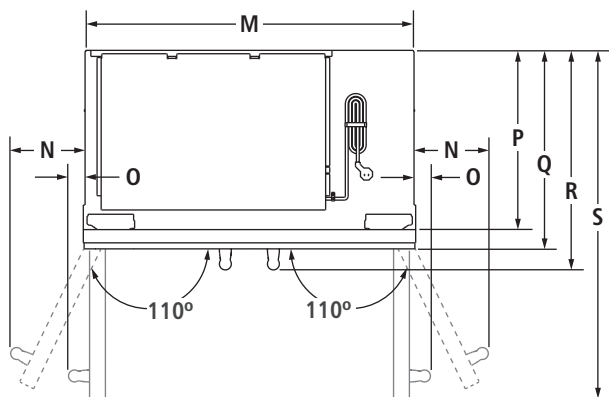
(BASE UNIT REQUIRES SUITE-COORDINATING PANEL KIT OR CUSTOM PANELS AND HANDLES)

JF42NXFXDE – 41¾" x 83⅛" x 24" (without door/handles)

PRODUCT DIMENSIONS



FRONT VIEW



TOP VIEW

MODEL #		JF42NXFXDE	
		in	cm
A	Width of each door	20 ⁵ / ₈	52.4
B	Space between doors	1 ¹ / ₈	0.3
C	Overall width	41 ³ / ₄	106.0
D	Height of top grille and bracket	6 ¹ / ₂	16.5
E	Space between doors and top grille	3 ³ / ₈	0.8
F	Height of door handles		
	Pro-Style® Stainless	32 ³ / ₈	82.2
	Euro-Style Stainless	37 ⁷ / ₈	96.0
G	Height to top of door handles		
	Pro-Style® Stainless	42 ³ / ₈	107.6
	Euro-Style Stainless	44 ⁷ / ₈	114.0
H	Height of doors	52 ³ / ₈	133.0
I	Space between doors and drawer	1 ¹ / ₈	0.3
J	Height to top of drawer handle		
	Pro-Style® Stainless	19 ³ / ₈	49.2
	Euro-Style Stainless	19 ¹ / ₄	48.7
K	Height of drawer	20 ¹ / ₂	52.1
L	Height of bottom grille	3	7.6
M	Width of recessed refrigerator	41	104.1
N	Width from side of refrigerator to handle – door fully open 110°		
	Pro-Style® Stainless	7 ⁷ / ₈	20.0
	Euro-Style Stainless	7 ¹ / ₄	18.5
O	Width from side of refrigerator to handle – door open 90°		
	Pro-Style® Stainless	2	5.1
	Euro-Style Stainless	1 ¹ / ₂	3.9
P	Depth without door panel kit	24	61.0
Q	Depth with doors		
	Pro-Style® Stainless panel kit	24 ³ / ₄	62.9
	Euro-Style Stainless panel kit	24 ³ / ₄	62.9
	Custom panel (¾"/1.9 cm)	24 ³ / ₄	62.9
R	Depth with handles		
	Pro-Style® Stainless	27 ³ / ₈	69.5
	Euro-Style Stainless	26 ⁷ / ₈	68.3
S	Depth with doors open 90°	44	111.8

IMPORTANT: Dimensional specifications are provided for planning purposes only.

Do not make any cutouts based on this information. Refer to the Installation or Use & Care Guide before selecting cabinetry, verifying electrical/gas connections, making cutouts or beginning installation.

All Jenn-Air® appliances are appropriately UL, CUL or CSA approved.

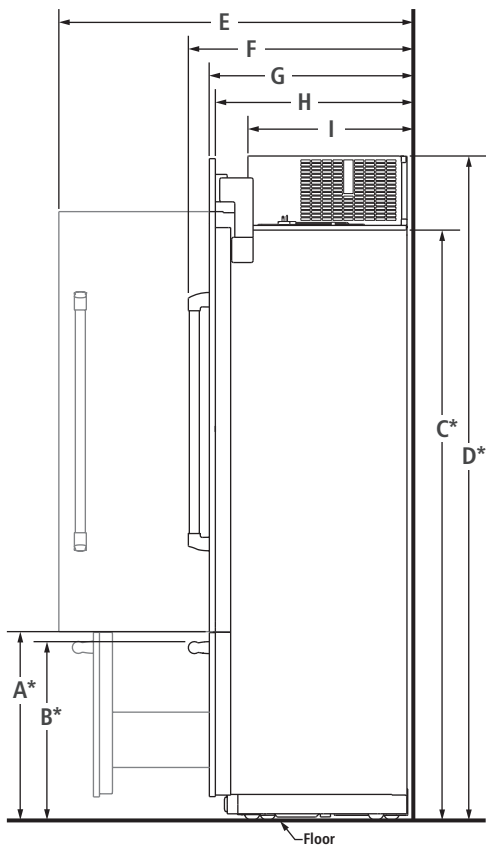


42" FULLY INTEGRATED FRENCH DOOR REFRIGERATOR

(BASE UNIT REQUIRES SUITE-COORDINATING PANEL KIT OR CUSTOM PANELS AND HANDLES)

JF42NXXFXDE – 41¾" x 83⅛" x 24" (without door/handles)

DIMENSIONS AS INSTALLED



SIDE VIEW

MODEL #	JF42NXXFXDE	
	in	cm
A*	Height to top of drawer (min.)	23½ 59.7
	Height to top of drawer handle (min.)	
B*	Pro-Style® Stainless	22⅞ 56.8
	Euro-Style Stainless	22¼ 56.3
C*	Height to top of doors (min.)	74⅞ 188.9
D*	Height to top of grille and bracket (min.)	83⅞ 211.1
E	Depth with door open 90° (min.)	43¾ 111.1
	Depth with handles (min.)	
F	Pro-Style® Stainless	27⅞ 69.5
	Euro-Style Stainless	26⅞ 68.3
G	Depth with doors (min.)	
	Pro-Style® Stainless panel kit	24¾ 62.9
	Euro-Style Stainless panel kit	24¾ 62.9
	Custom panel (¾"/1.9 cm)	24¾ 62.9
H	Depth without door panel kit (min.)	24 61.0
I	Depth of compressor (min.)	19⅞ 50.5

*Add 1¼" (3.2 cm) to the height dimension when leveling legs are fully extended.

IMPORTANT: Dimensional specifications are provided for planning purposes only. Do not make any cutouts based on this information. Refer to the Installation or Use & Care Guide before selecting cabinetry, verifying electrical/gas connections, making cutouts or beginning installation. All Jenn-Air® appliances are appropriately UL, CUL or CSA approved.

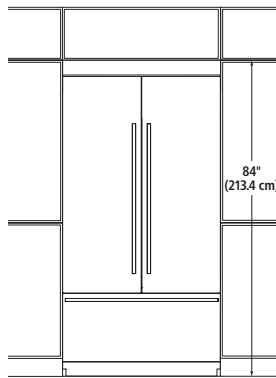
42" FULLY INTEGRATED FRENCH DOOR REFRIGERATOR

(BASE UNIT REQUIRES SUITE-COORDINATING PANEL KIT OR CUSTOM PANELS AND HANDLES)

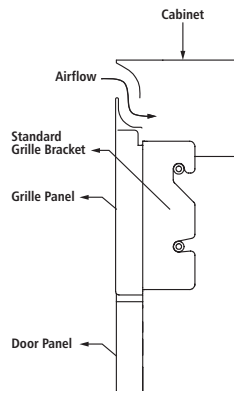
JF42NXFXDE – 41¾" x 83⅛" x 24" (without door/handles)

3 STYLES FOR DOOR PANEL INSTALLATION

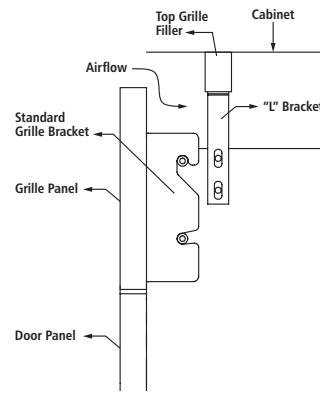
STANDARD INTEGRATED GRILLE INSTALLATION



FRONT VIEW



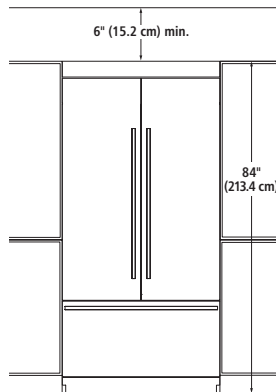
SIDE VIEW – STAINLESS STEEL PANEL KIT



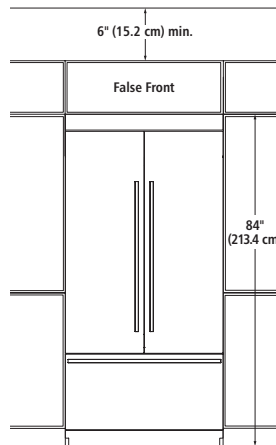
SIDE VIEW – CUSTOM PANEL

- Attach the standard custom grille with the standard grille bracket provided with the refrigerator.
- The standard grille panel height allows for an air gap critical to refrigerator performance.

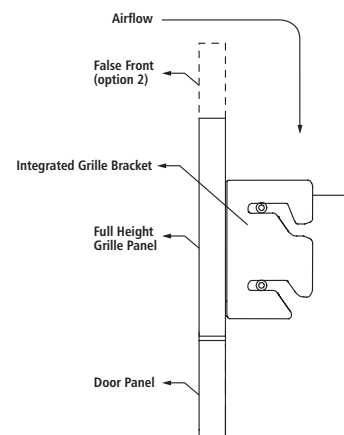
FULLY INTEGRATED GRILLE INSTALLATION



FRONT VIEW – OPEN TO CEILING (OPTION 1)



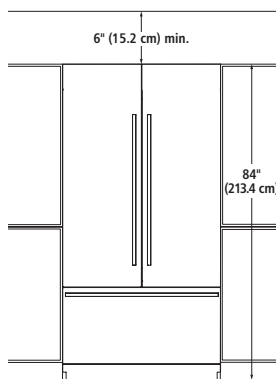
FRONT VIEW – FALSE FRONT (OPTION 2)



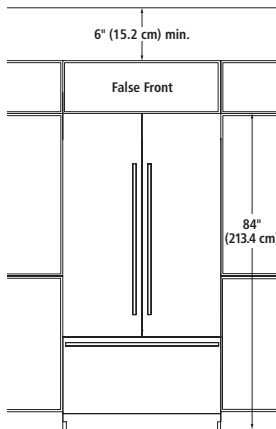
SIDE VIEW – CUSTOM PANEL

- Attach the full-height grille with the integrated grille bracket provided with the refrigerator.
- Requires a minimum of 6" (15.2 cm) of open space above the refrigerator, which must not be blocked in any way, including soffits.

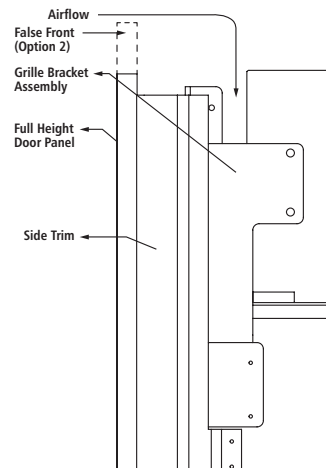
ARMOIRE-STYLE INSTALLATION*



FRONT VIEW – OPEN TO CEILING (OPTION 1)



FRONT VIEW – FALSE FRONT (OPTION 2)



SIDE VIEW – CUSTOM PANEL

- Attach the grille bracket assembly and grille panel provided in the armoire-style panel kit.
- Requires a minimum of 6" (15.2 cm) of open space above the refrigerator, which must not be blocked in any way, including soffits.

* Refer to the Armoire Kit installation instructions for additional dimensions and installation details.

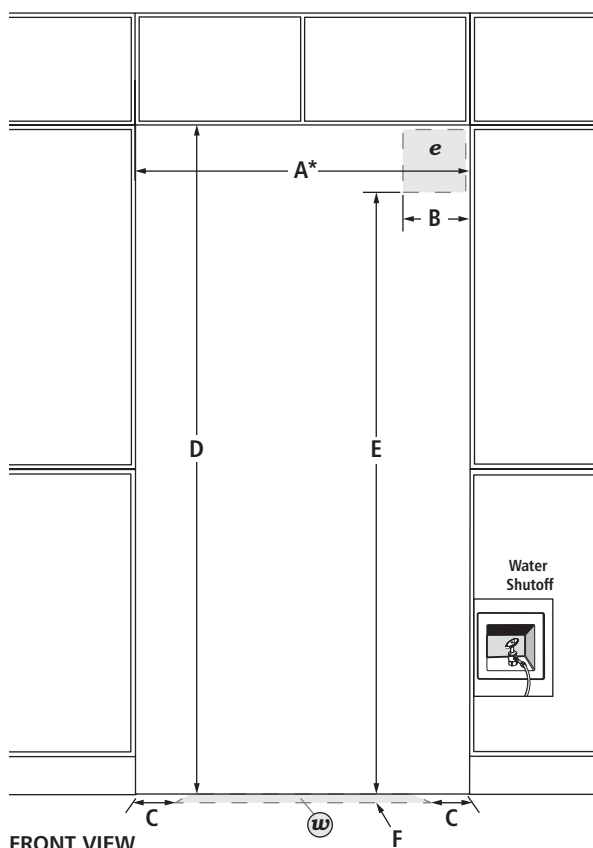
IMPORTANT: Dimensional specifications are provided for planning purposes only. Do not make any cutouts based on this information. Refer to the Installation or Use & Care Guide before selecting cabinetry, verifying electrical/gas connections, making cutouts or beginning installation. All Jenn-Air® appliances are appropriately UL, CUL or CSA approved.

42" FULLY INTEGRATED FRENCH DOOR REFRIGERATOR

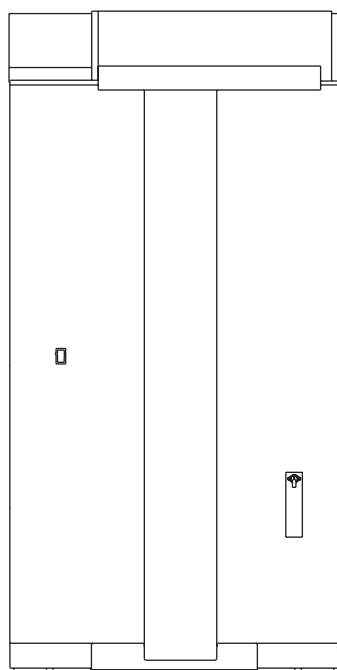
(BASE UNIT REQUIRES SUITE-COORDINATING PANEL KIT OR CUSTOM PANELS AND HANDLES)

JF42NXFXDE – 41¾" x 83⅞" x 24" (without door/handles)

OPENING/CLEARANCE DIMENSIONS



FRONT VIEW



BACK VIEW

MODEL #		JF42NXFXDE	
		in	cm
A*	Width (min.)	42	106.7
B	Width of recommended electrical location	7½	19.1
C	Distance from side of cabinet to recommended water connection location	6	15.2
D	Height (min.)	84	213.4
E	Height to recommended electrical location	77	195.6
F	Depth of recommended water connection location (max.)	1	2.5
e	Recommended electrical connection location		
w	Recommended water connection location		

*Minimum width must extend behind the face of the cabinet for at least 2" (5.1 cm).

ELECTRICAL REQUIREMENTS

115 volt, 60 Hz, AC only, 15- or 20-amp fused, grounded circuit is required. A dedicated circuit is recommended. Use an outlet that cannot be turned off by a switch. Do not use an extension cord.

WATER PRESSURE REQUIREMENTS

A cold water supply with water pressure between 30 and 120 psi (207 and 827 kPa) is required to operate the ice maker. Call a licensed, qualified plumber with any questions about the water pressure.

Reverse Osmosis Water Supply

IMPORTANT: The pressure of the water coming out of a reverse osmosis system going to the water inlet valve of the refrigerator needs to be between 30 and 120 psi (207 and 827 kPa).

If a reverse osmosis water filtration system is connected to the cold water supply, the water pressure to the reverse osmosis system needs to be a minimum of 40 to 60 psi (276 to 414 kPa).

LOCATION REQUIREMENTS

Floor must be able to support refrigerator (more than 600 lb [272 kg]), door panels and contents of the refrigerator and must be at the same level as flooring in the room.

IMPORTANT: Dimensional specifications are provided for planning purposes only.

Do not make any cutouts based on this information. Refer to the Installation or Use & Care Guide before selecting cabinetry, verifying electrical/gas connections, making cutouts or beginning installation. All Jenn-Air® appliances are appropriately UL, CUL or CSA approved.

