



SPEED
CHAMPIONS

77257



LEGO® Builder



Get excited about our new packaging!

We're switching from plastic to paper-based packaging. That's why you might find a mix of paper and plastic in our boxes!

Nos nouveaux emballages vous emballeront !

Nous passons des emballages en plastique aux emballages à base de papier. C'est pourquoi vous pourriez trouver un mélange de papier et de plastique dans nos boîtes !

¡Te presentamos nuestros nuevos empaques!

Estamos sustituyendo las bolsas de plástico por bolsas con base de papel. ¡Por eso, puedes encontrar una mezcla de papel y de plástico en nuestras cajas!

[LEGO.com/sustainable-packaging](https://www.lego.com/sustainable-packaging)

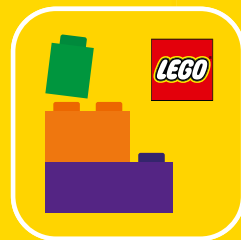


BUILDER



Apple and the Apple logo are trademarks of Apple Inc., registered in the U.S. and other countries and regions. App Store is a service mark of Apple Inc. Google Play and the Google Play logo are trademarks of Google LLC. Tencent and the Tencent logo are trademarks of Tencent Inc.

Q [LEGO.com/devicecheck](https://www.lego.com/devicecheck)



Q LEGO® Builder

EN Ask parents' permission before going online | DE Eltern um Erlaubnis bitten, bevor du online gehst | FR Demande l'autorisation d'un parent avant d'aller en ligne | IT Chiedi il permesso ai tuoi genitori prima di andare online | ES Pídeles permiso a tus papás antes de conectarte a Internet | PT Peça autorização aos pais antes de acederes online | ZH 上网前应先征得父母的同意 | PL Poproś rodziców o zgodę, zanim wejdiesz do Internetu | CS Než půjdeš na internet, požádej rodiče o svolení | SK Skôr než pôjdeš na internet, vypýtaj si povolenie od rodičov | HU Kérj szülői engedélyt, mielőtt online csatlakoznál! | UA Запитуйте дозволу батьків, перш ніж користуватися інтернетом | RO Cere permisiunea părinților înainte de a te conecta online | BG Поискайте разрешение от родител, преди да влезете онлайн | LV Pirms došanās tiešsaistē palūdz atļauju vecākiem | ET Enne Interneti kasutamist küsi vanematelt luba | LT Prieš prisijungdami prie interneto, atsiklauskite tėvų

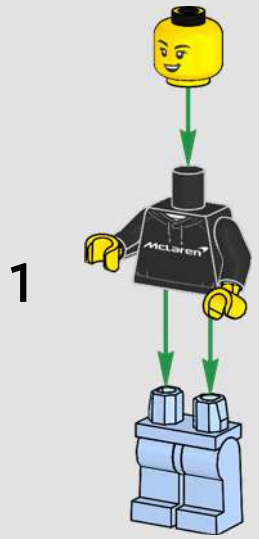
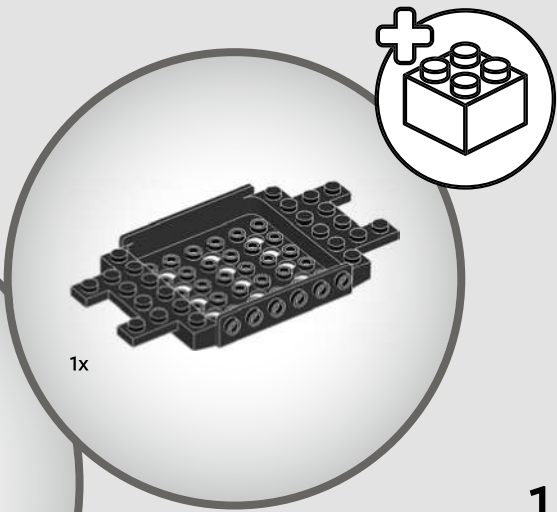
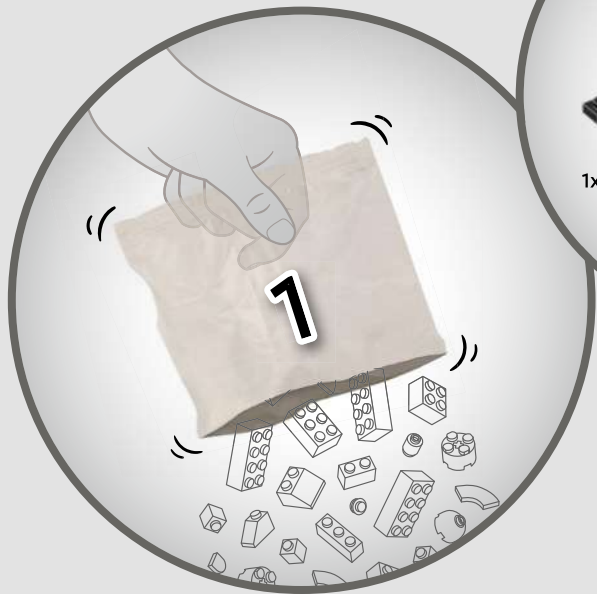


Forever pushing the limits of play
Repousser sans cesse les limites du jeu
Constantemente superando los límites del juego

McLaren

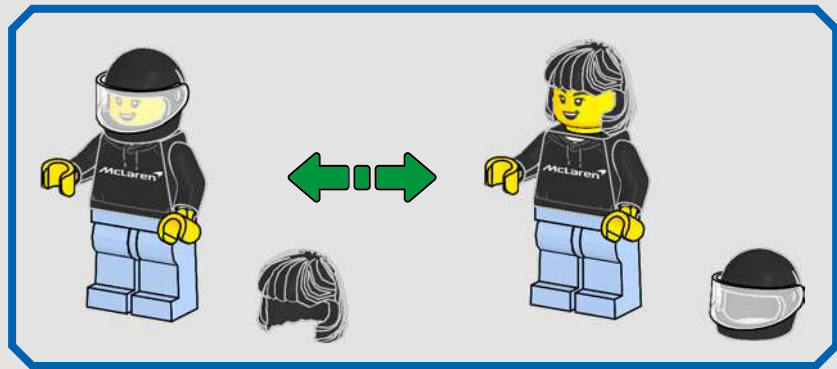


Always pushing the boundaries of performance
Toujours repousser les limites de la performance
Siempre superando los límites del desempeño



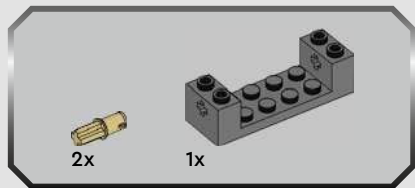


2

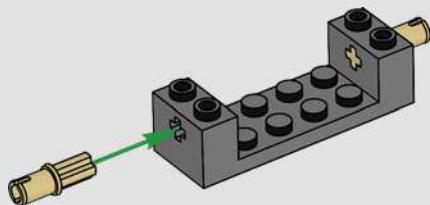


3



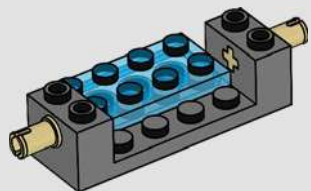


1

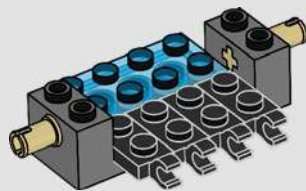




2

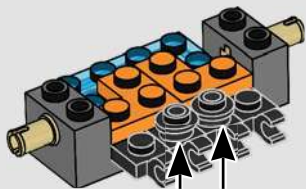


3

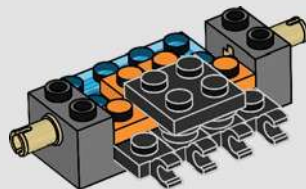


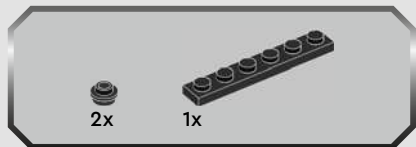


4

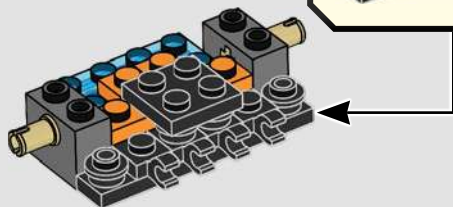
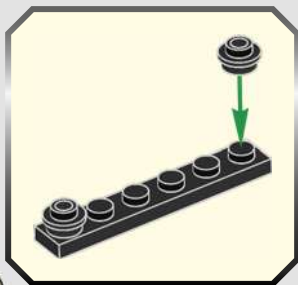


5



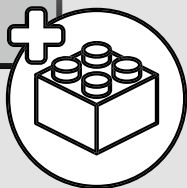
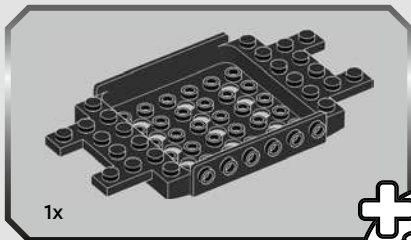


6

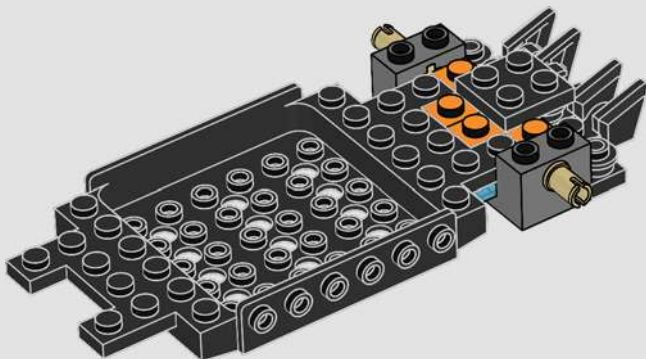


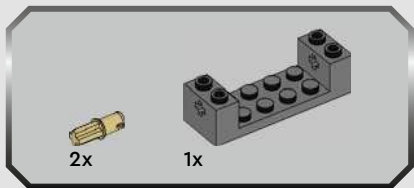
7



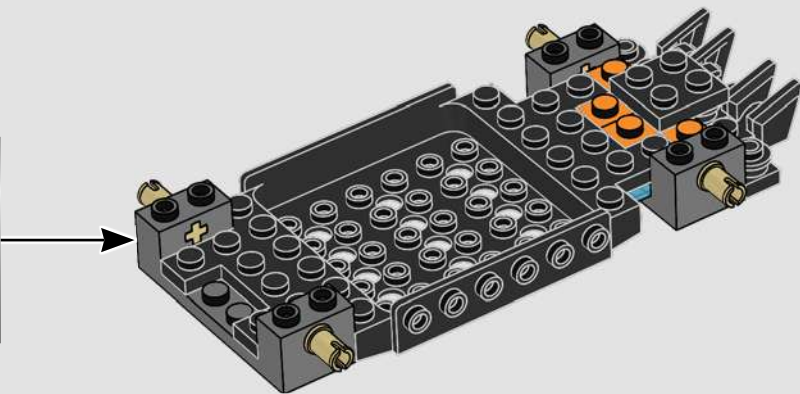
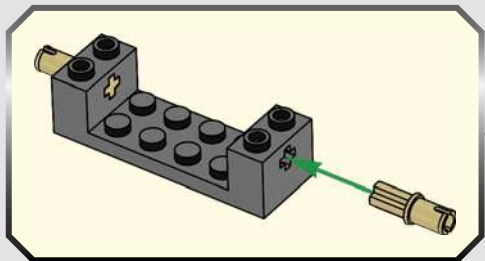


8



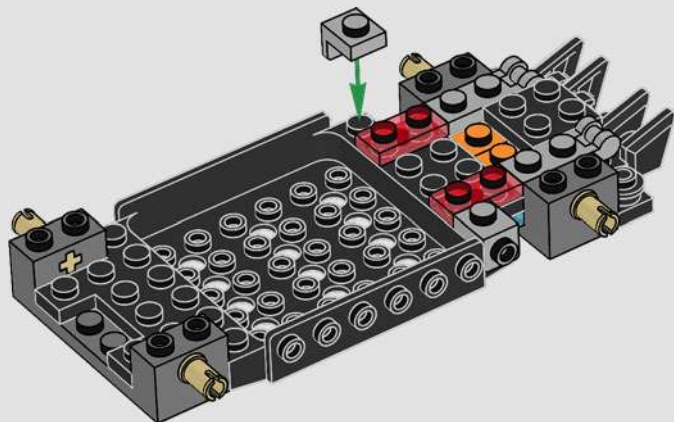


9



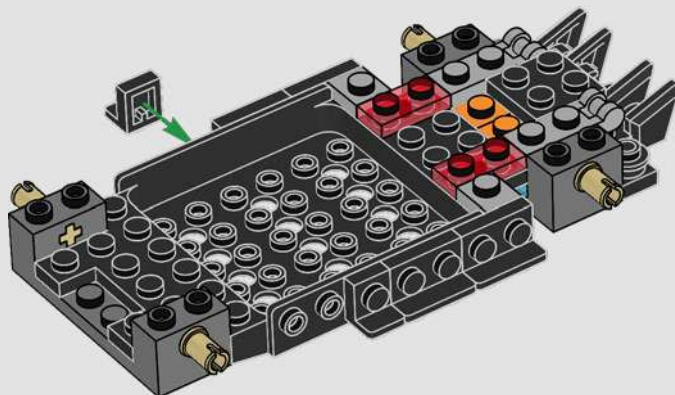


10





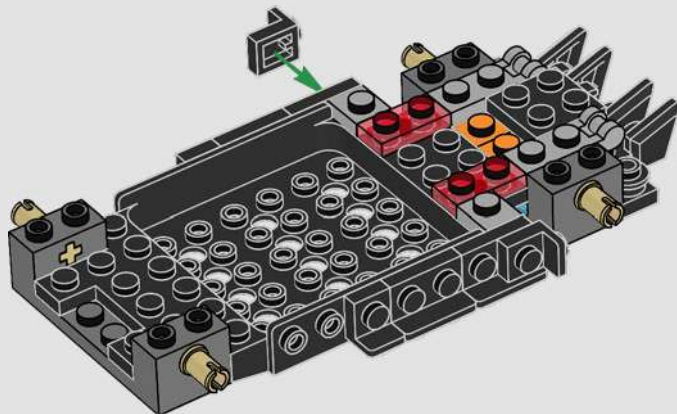
11

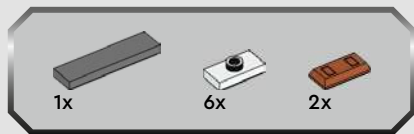




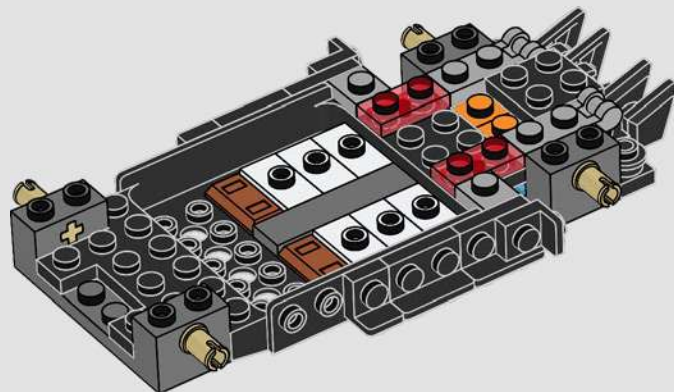
2x

12





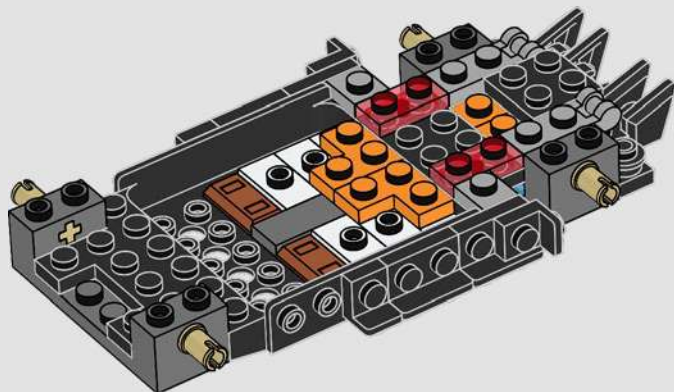
13





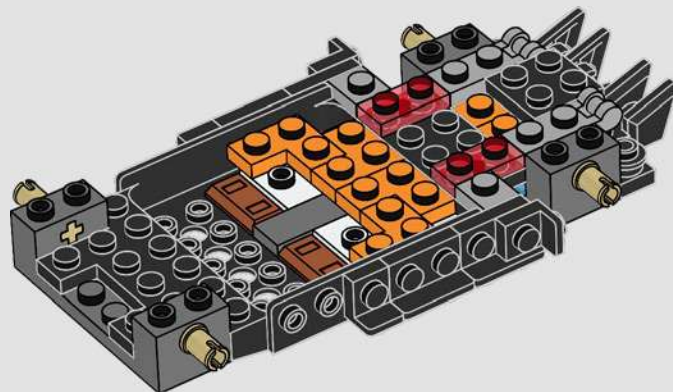
2x

14





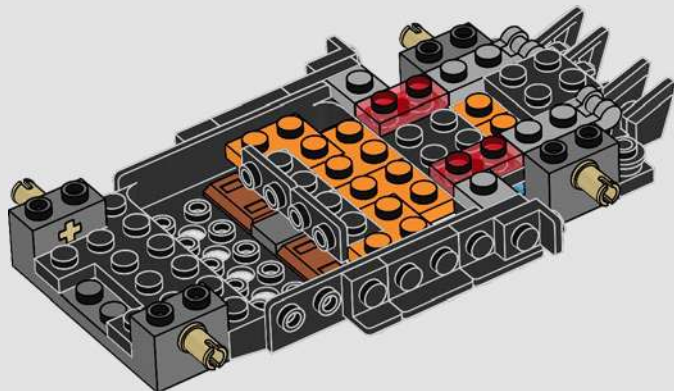
15

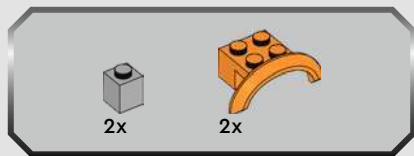




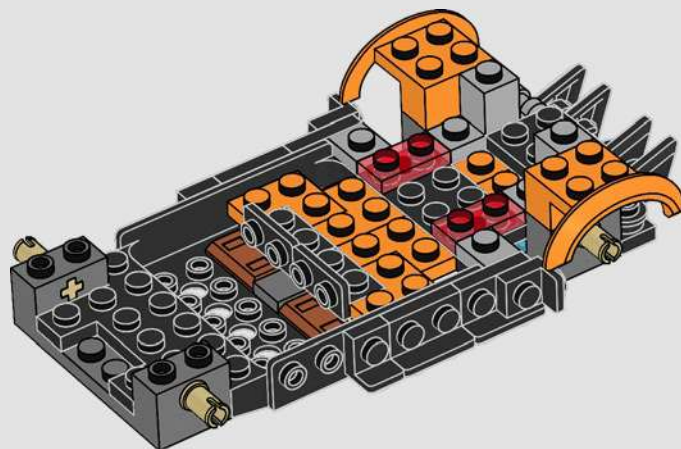
2x

16



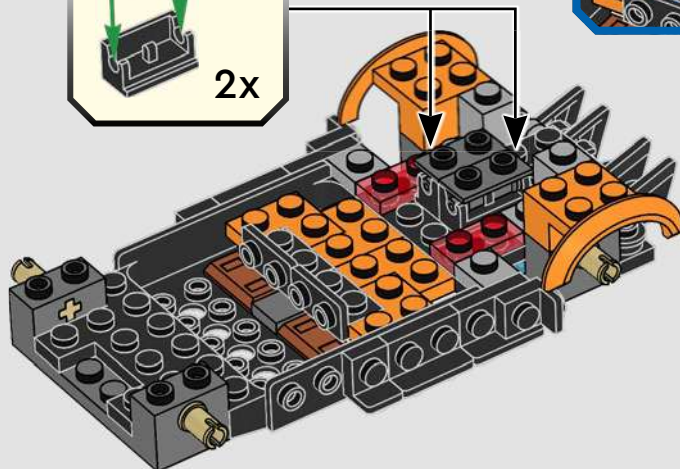
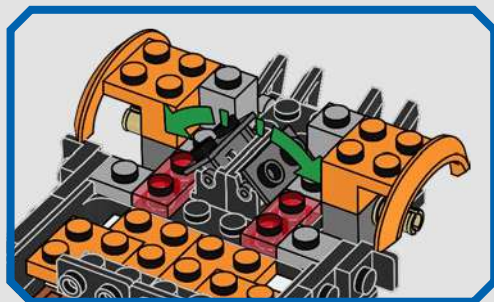
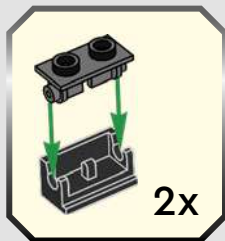


17



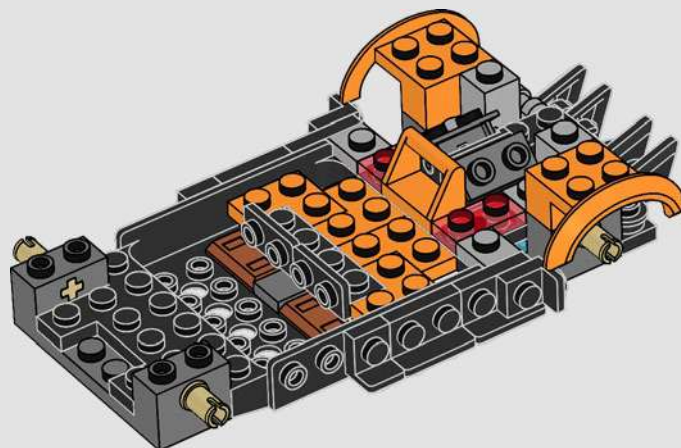


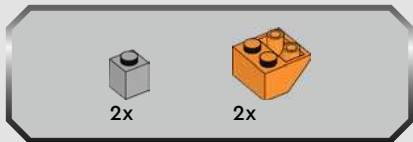
18



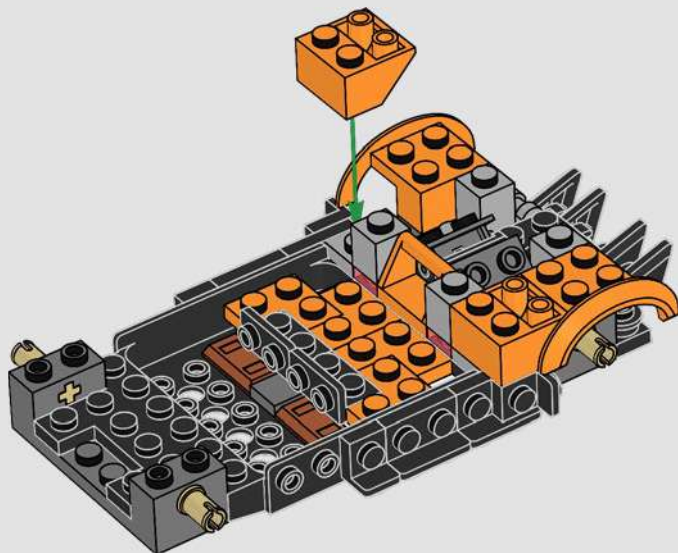


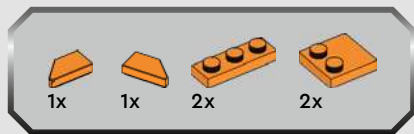
19



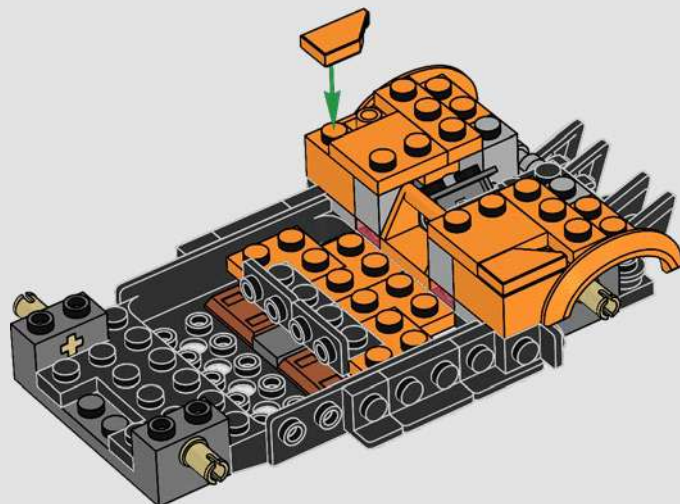


20



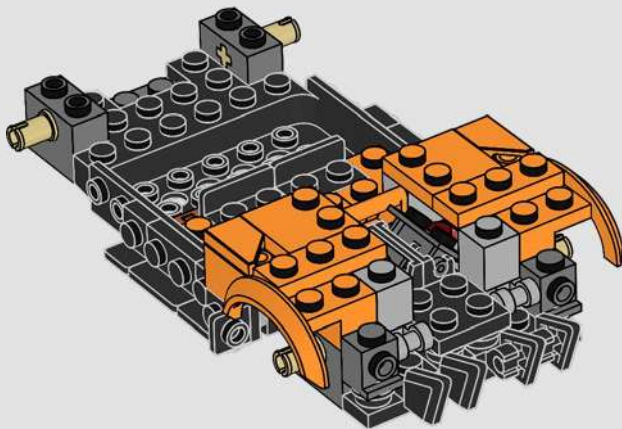


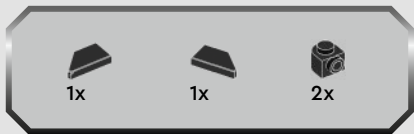
21



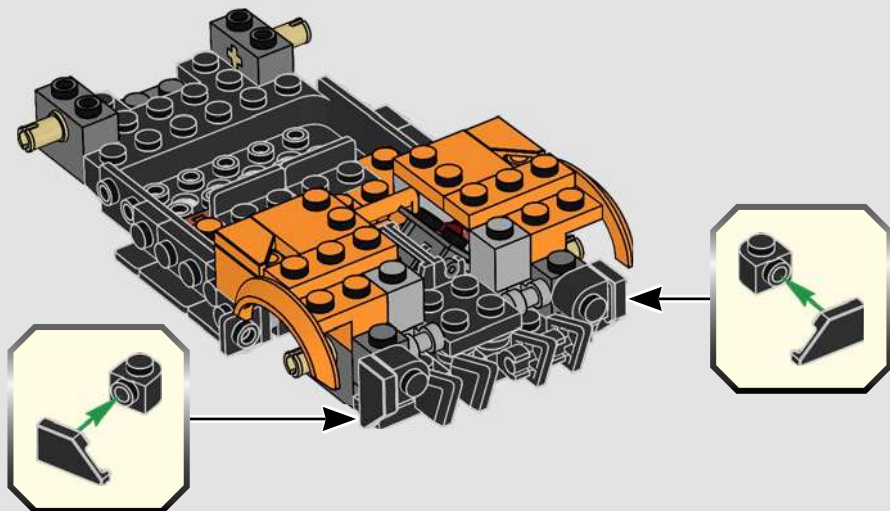


22





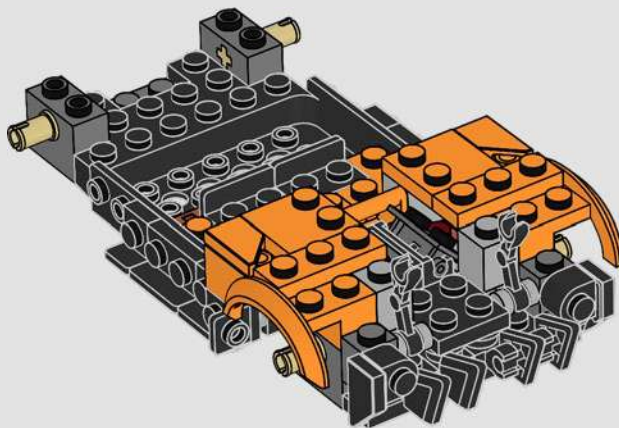
23

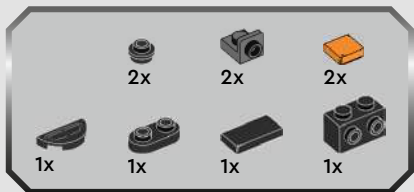




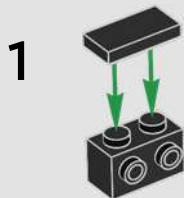
2x

24





25



2



3



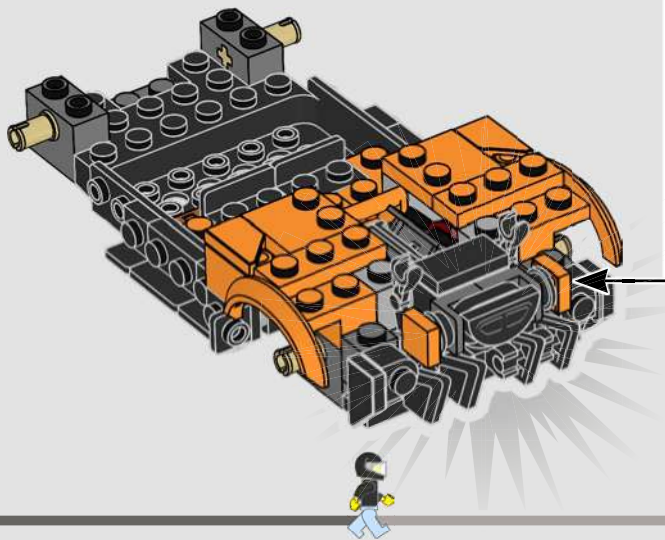
4



5

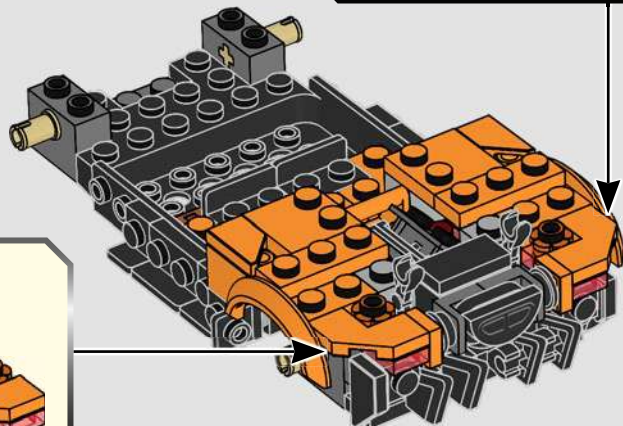
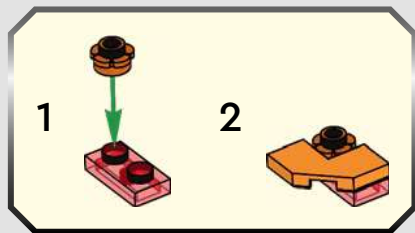
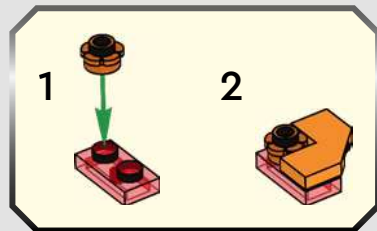


6





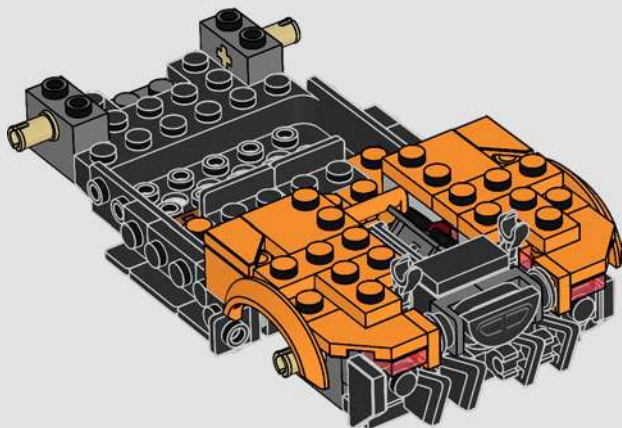
26





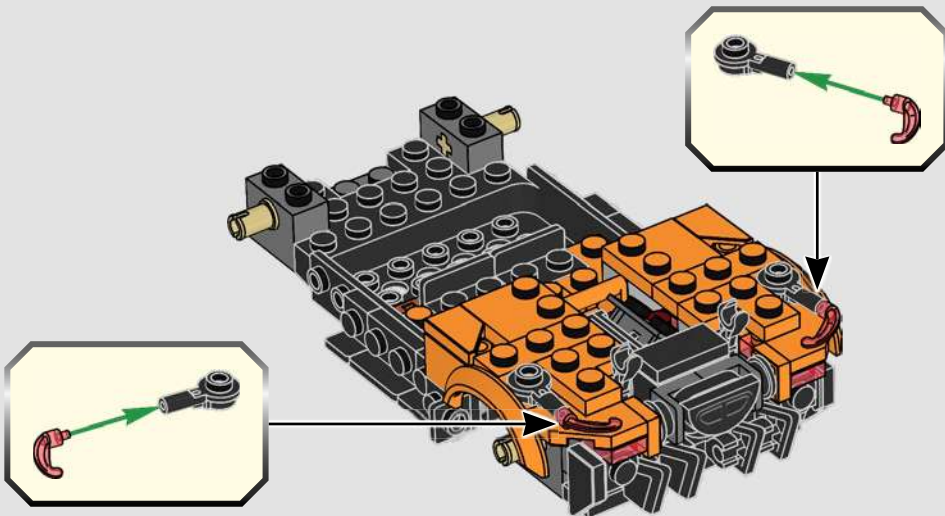
2x

27



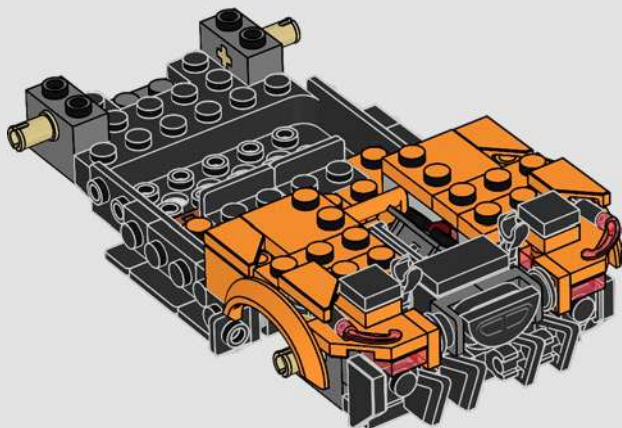


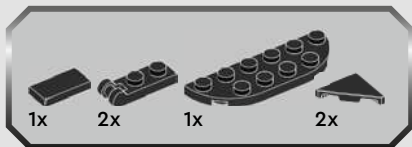
28





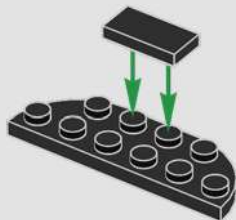
29



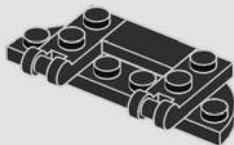


30

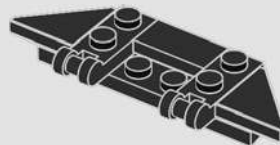
1

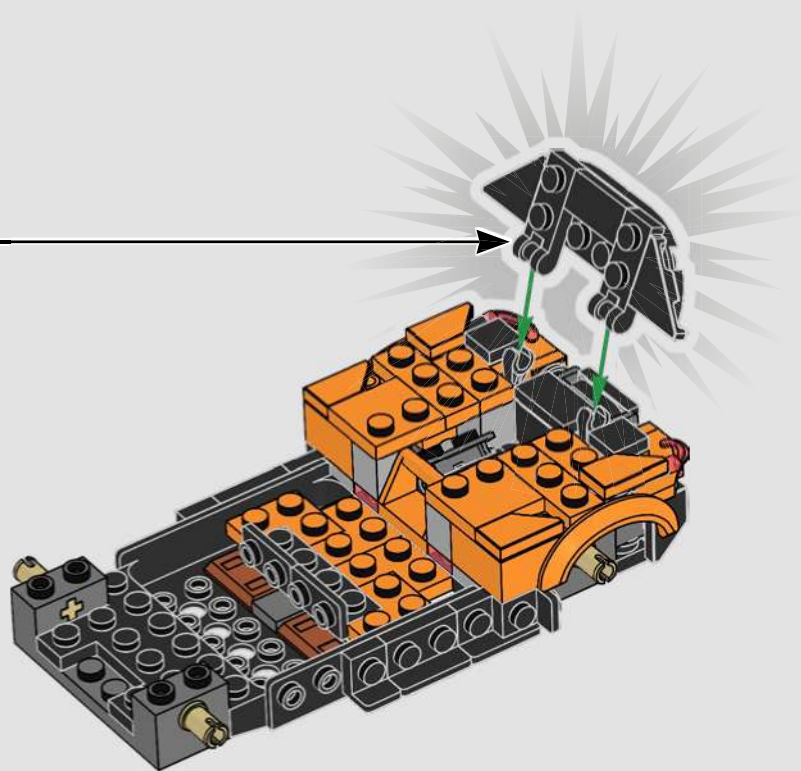


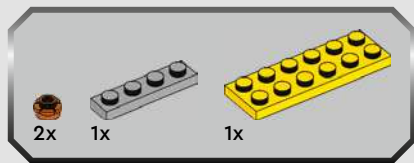
2



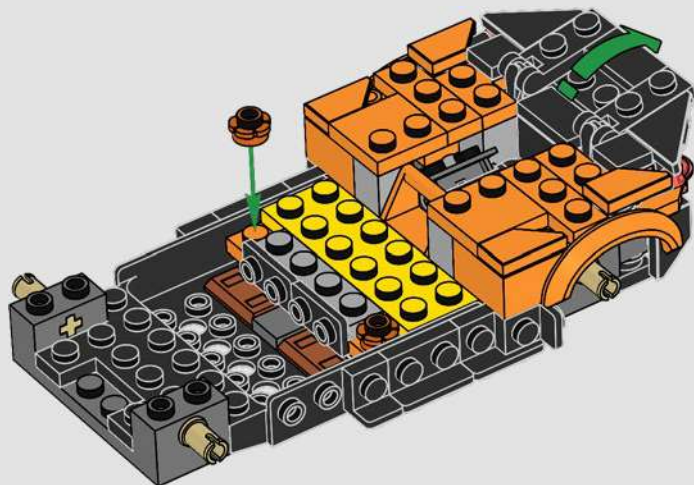
3

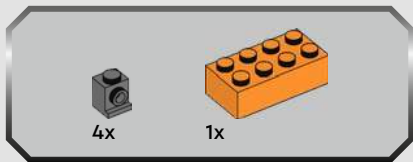




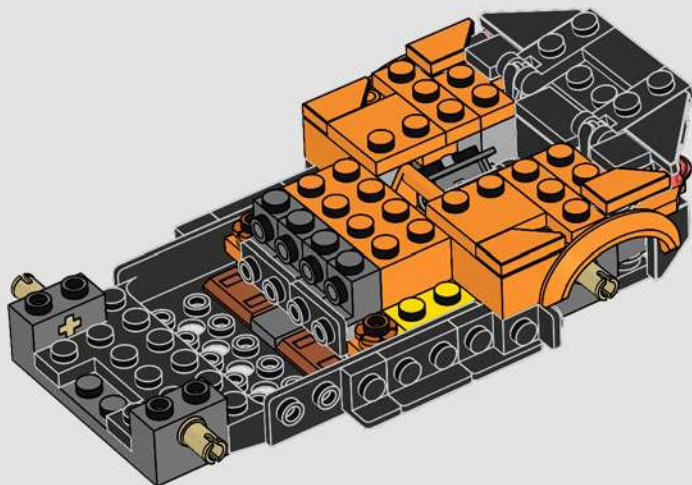


31



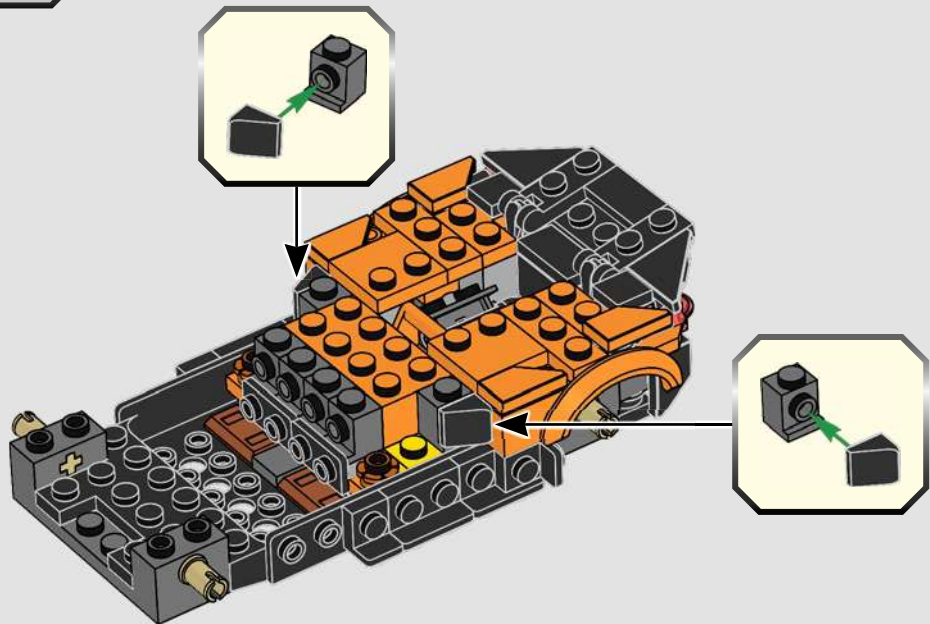


32





33



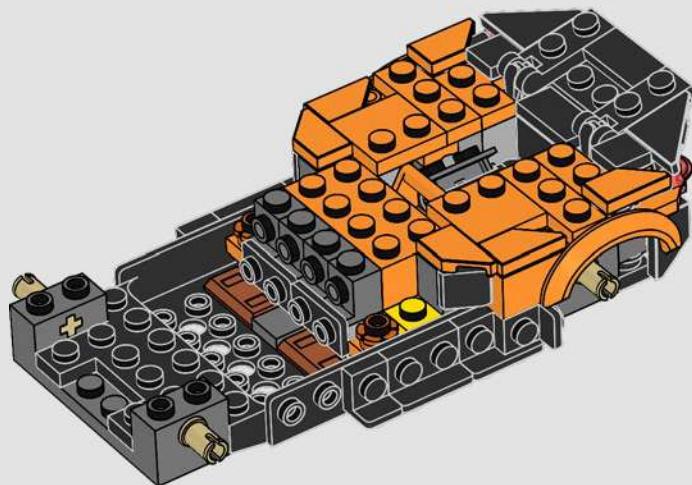


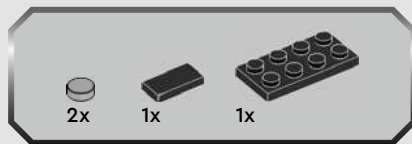
1x



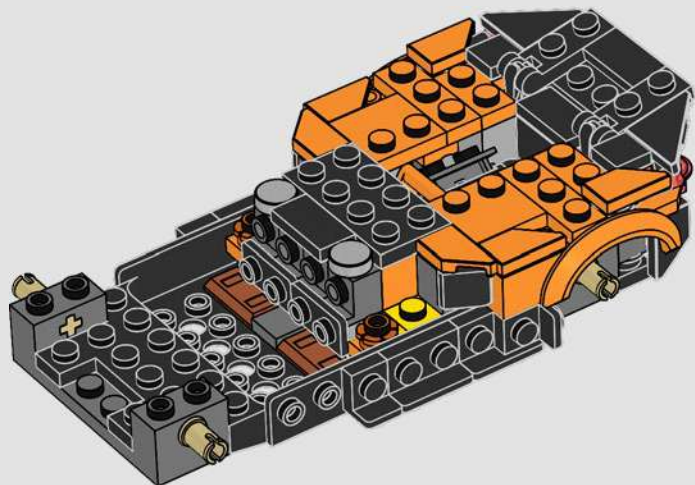
1x

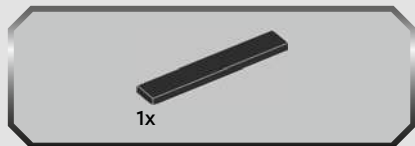
34



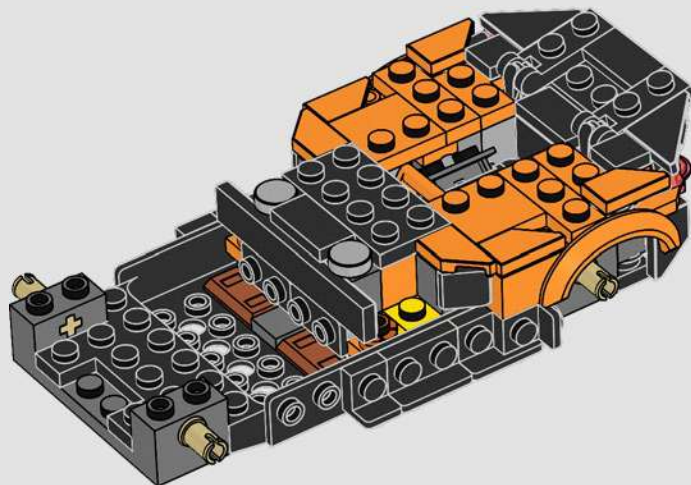


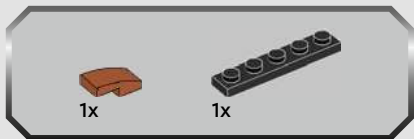
35



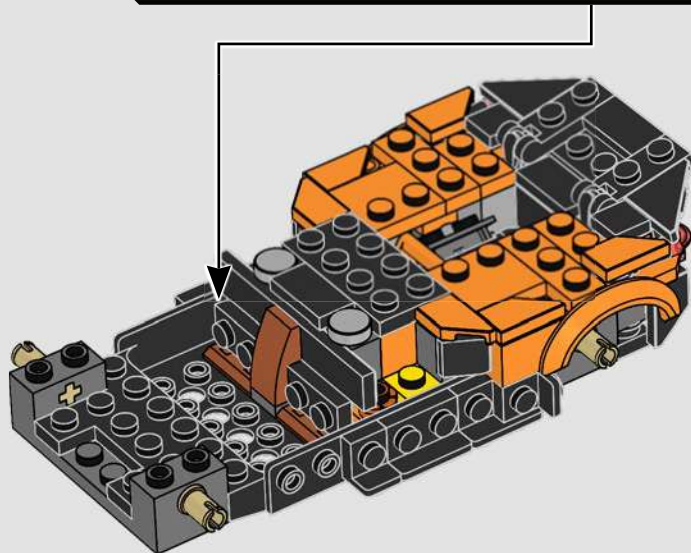
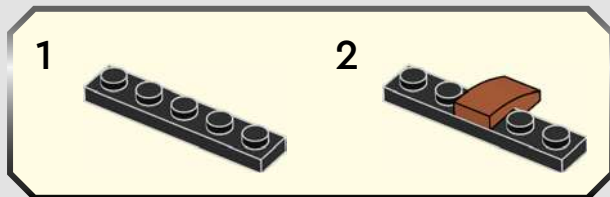


36



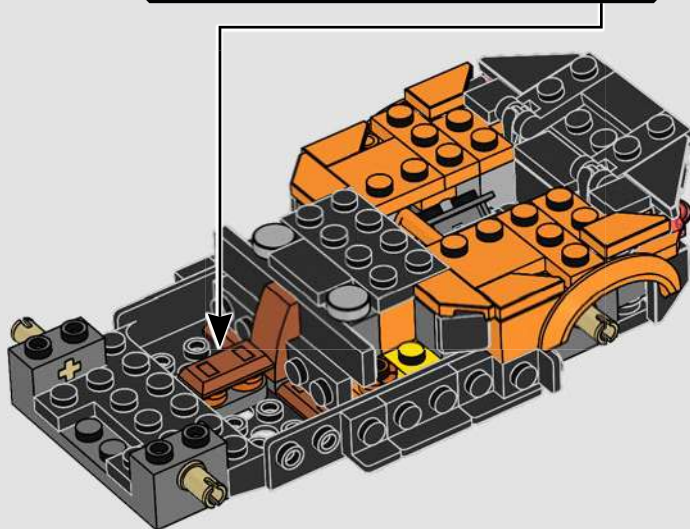


37



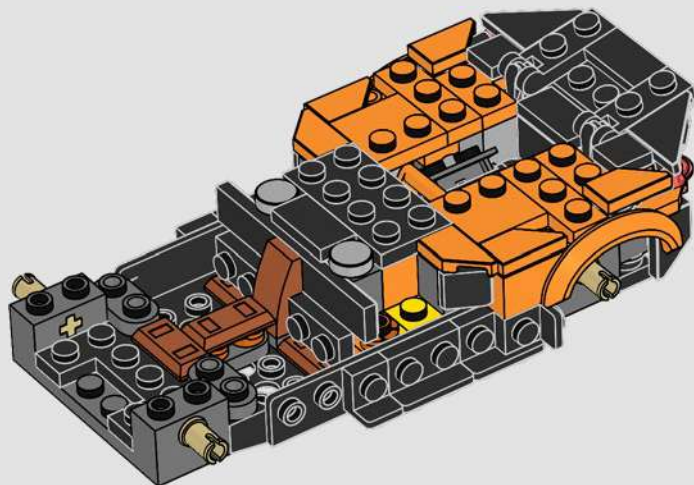


38





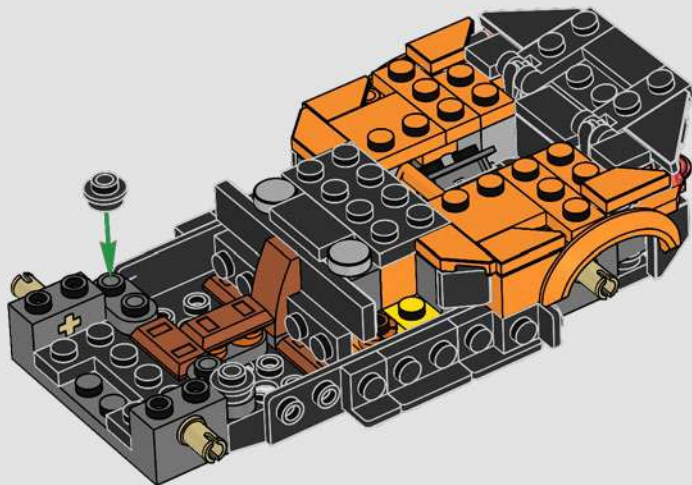
39

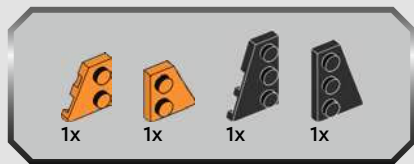




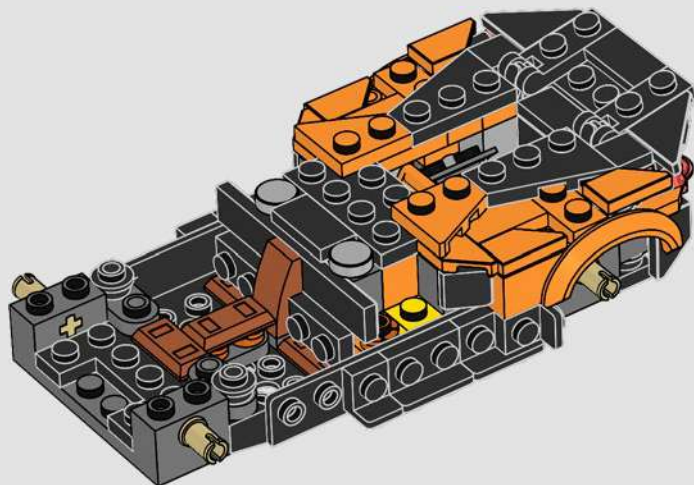
2x

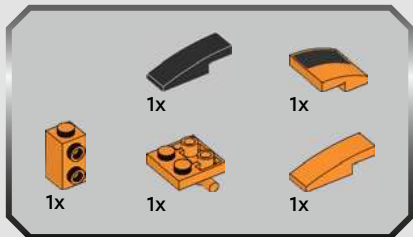
40





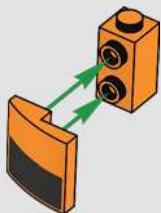
41



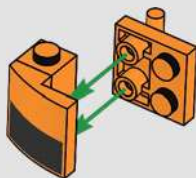


42

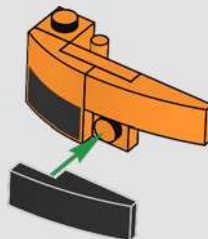
1

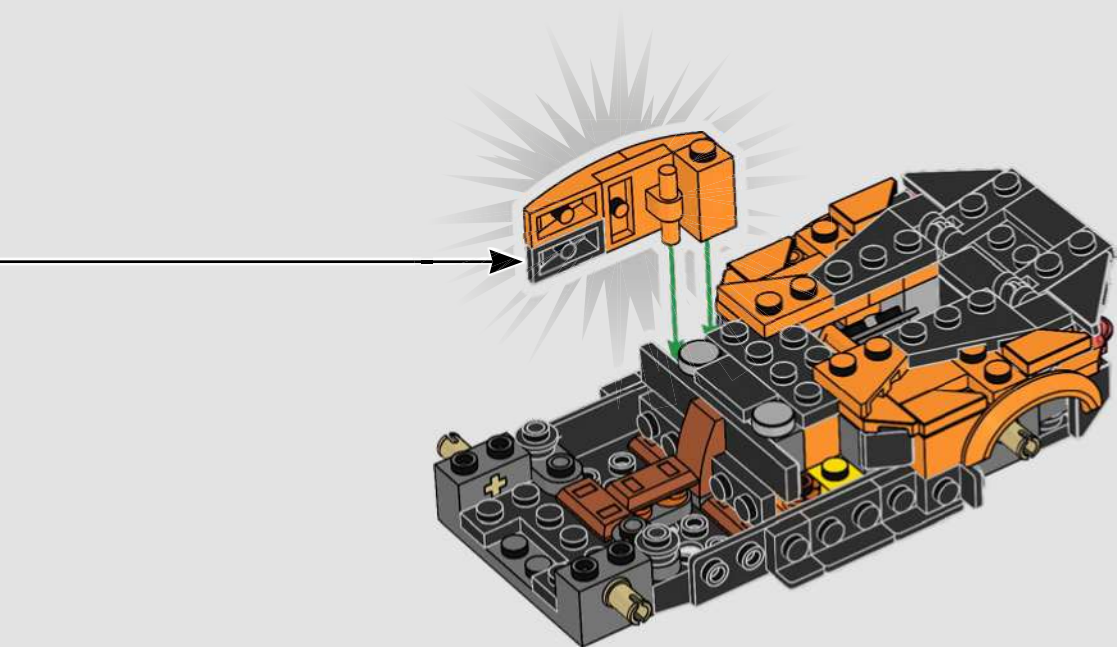


2



3





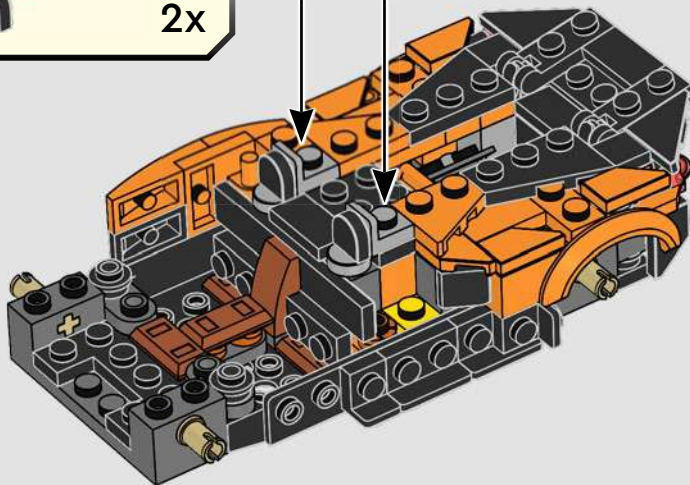
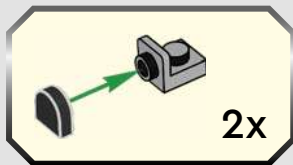


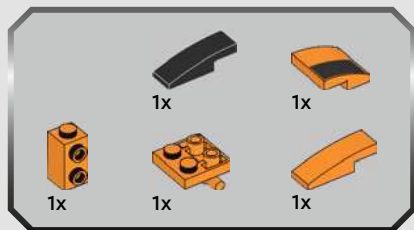
2x



2x

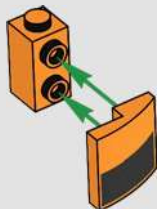
43



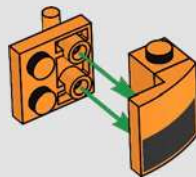


44

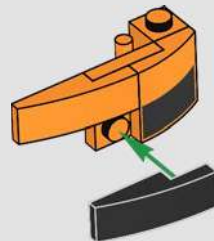
1

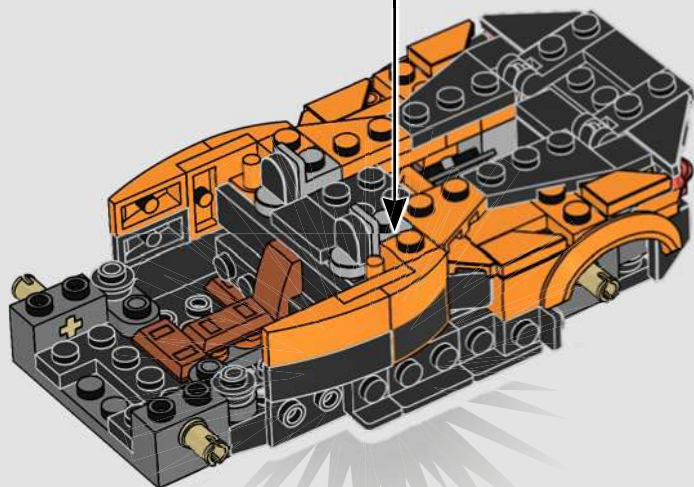


2



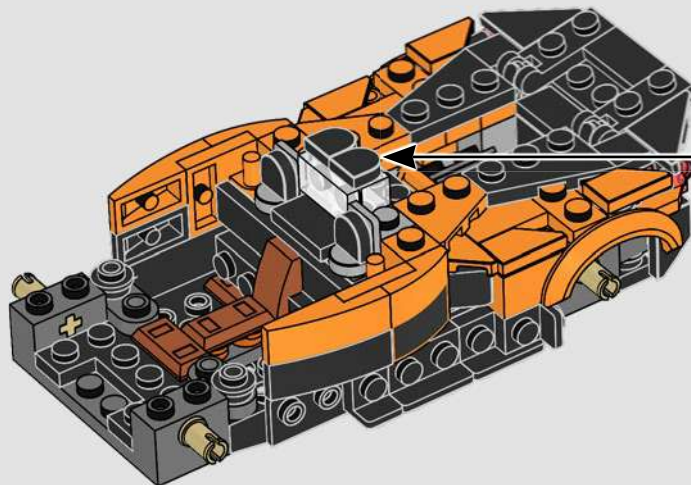
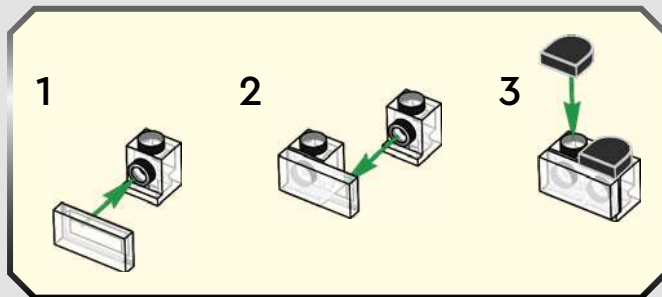
3

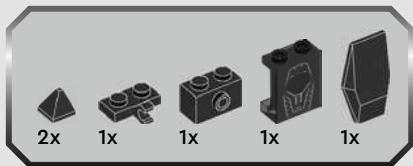






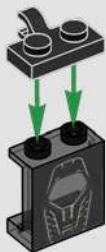
45



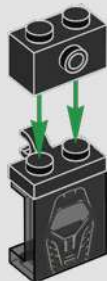


46

1



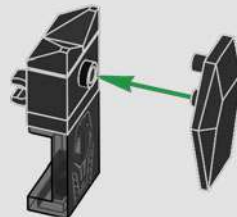
2

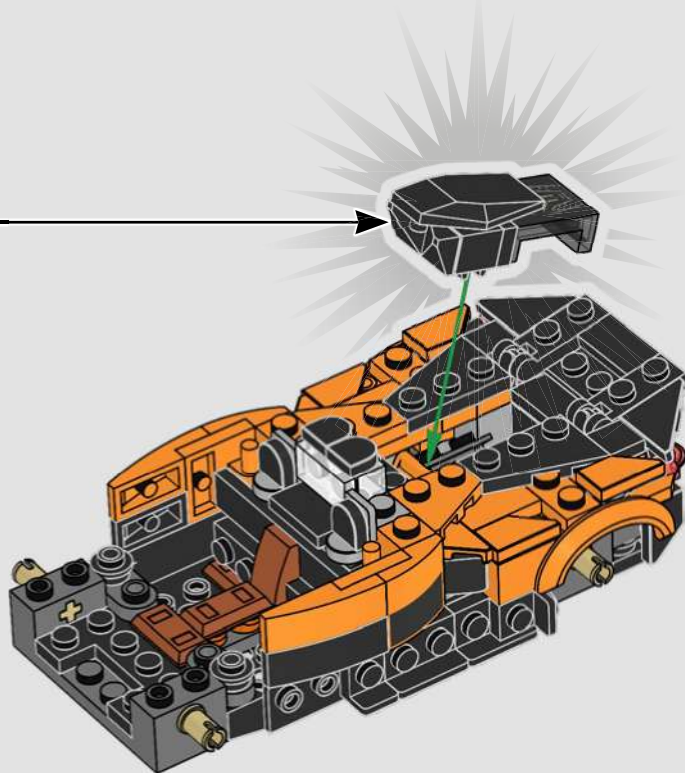


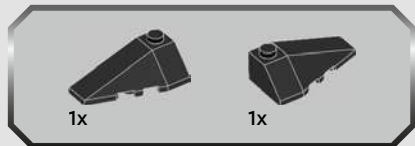
3



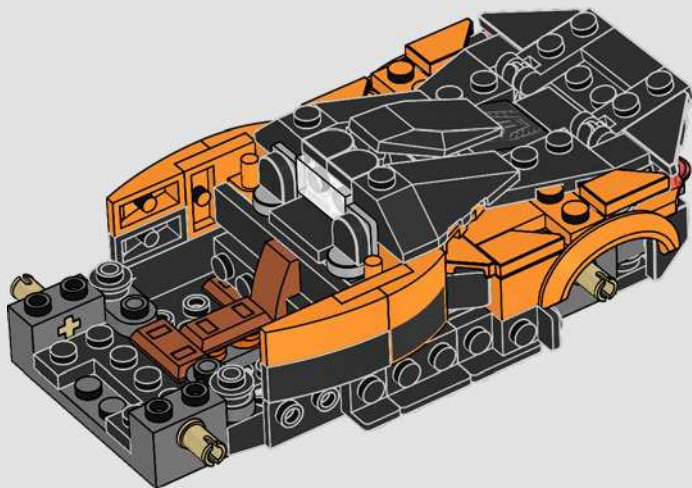
4





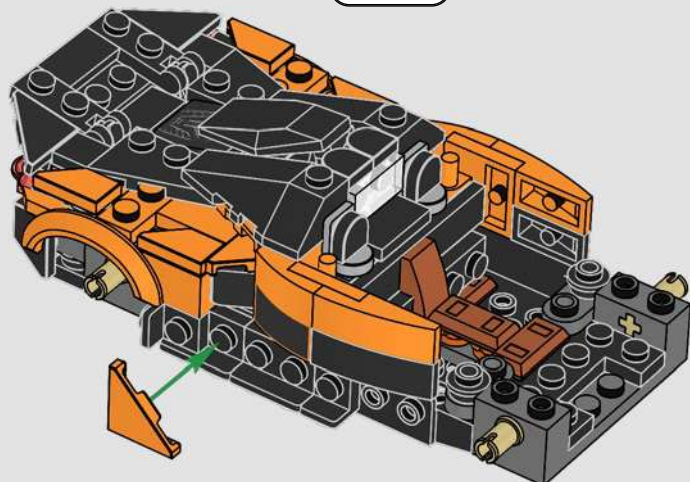


47



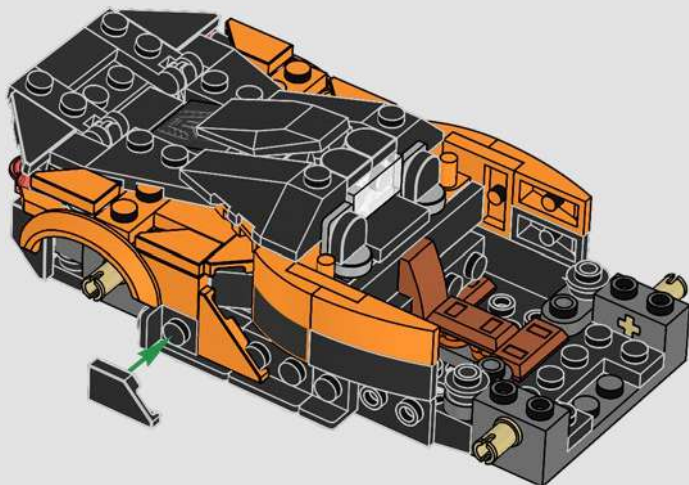


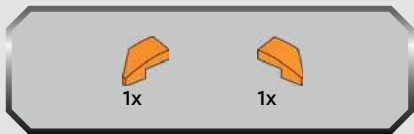
48



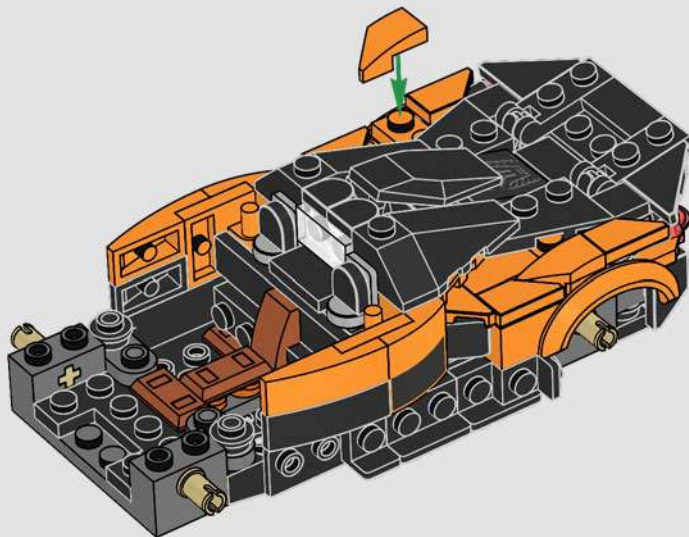
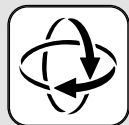


49





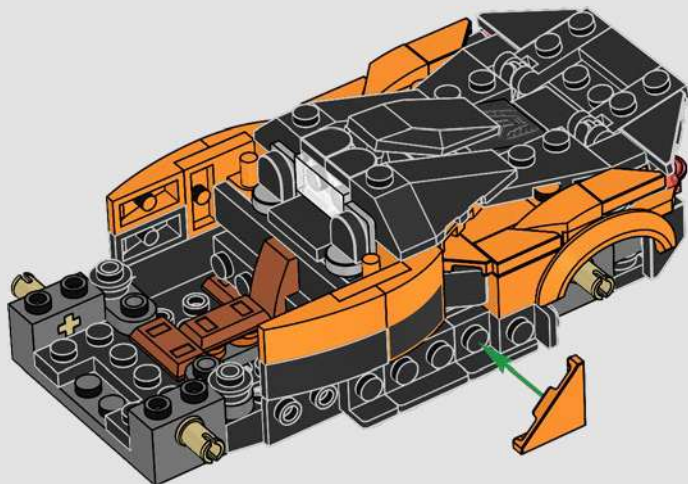
50





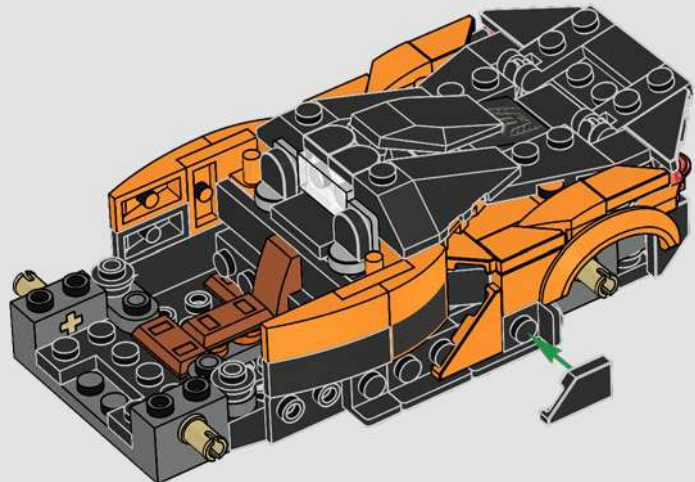
1x

51



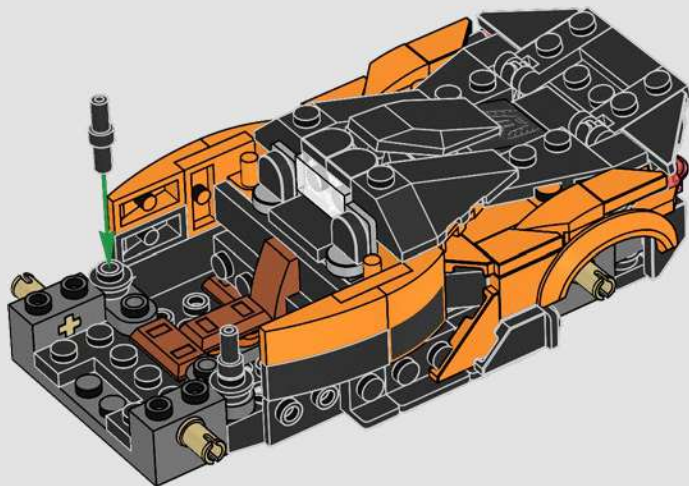


52



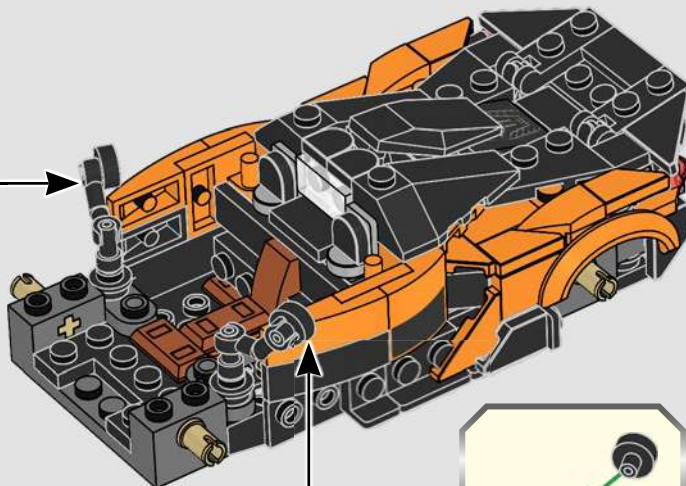


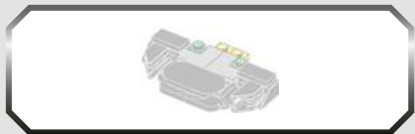
53



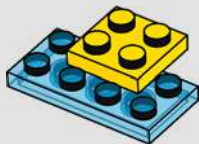


54





55

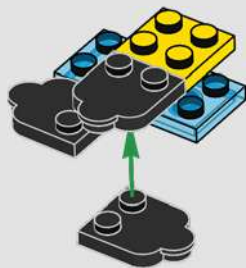


56

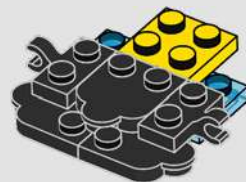


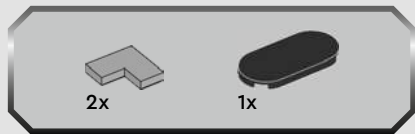


57

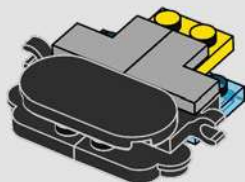


58

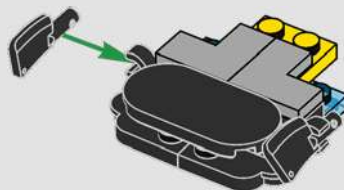




59

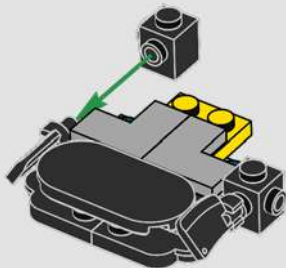


60

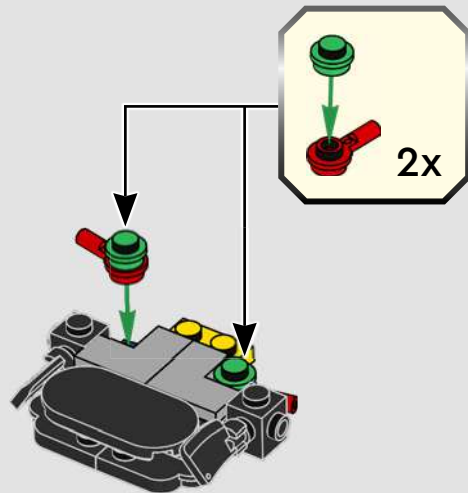




61

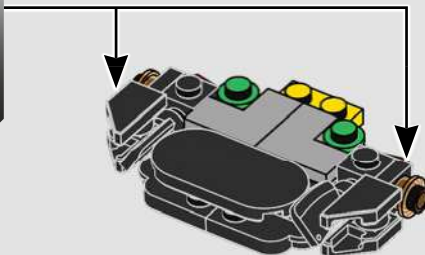
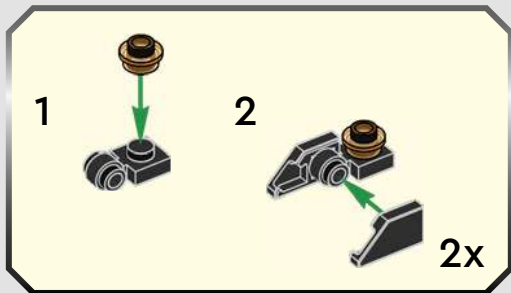


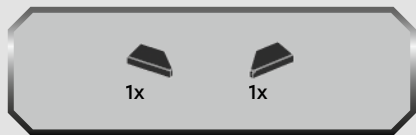
62



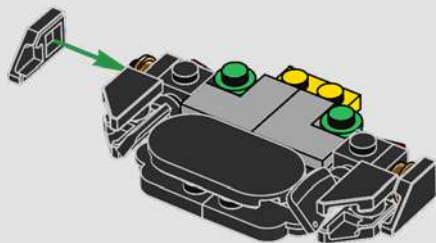


63

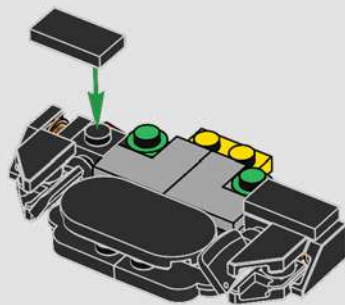




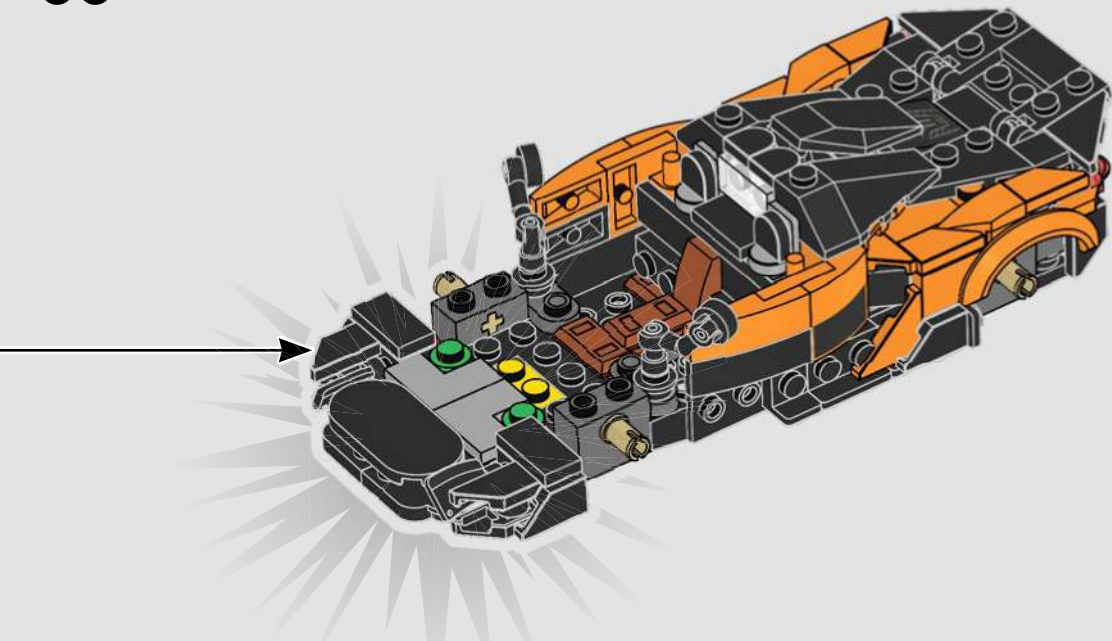
64

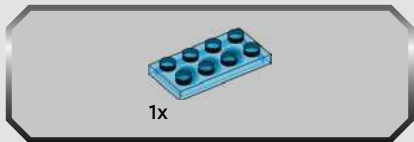


65

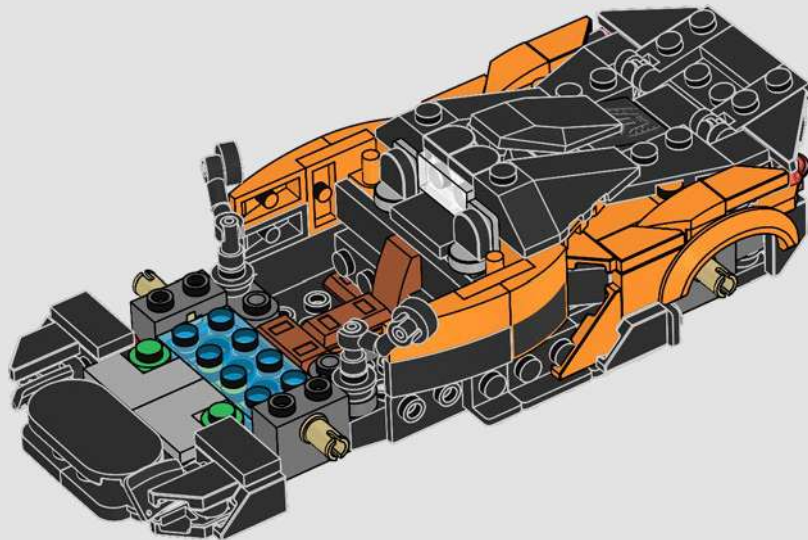


66





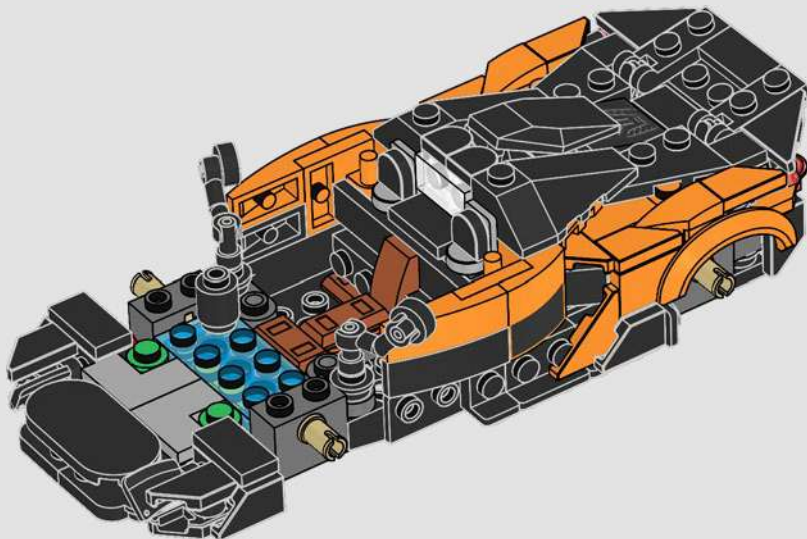
67





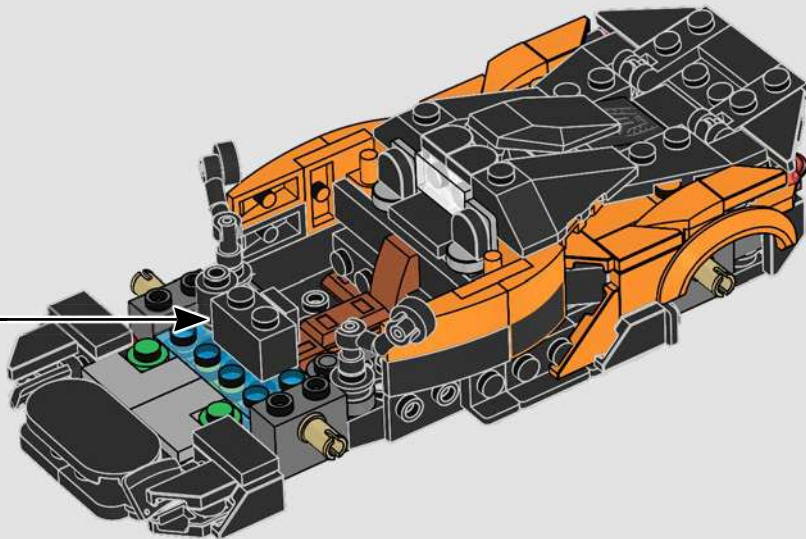
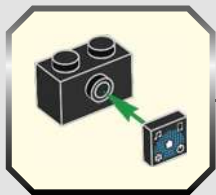
1x

68



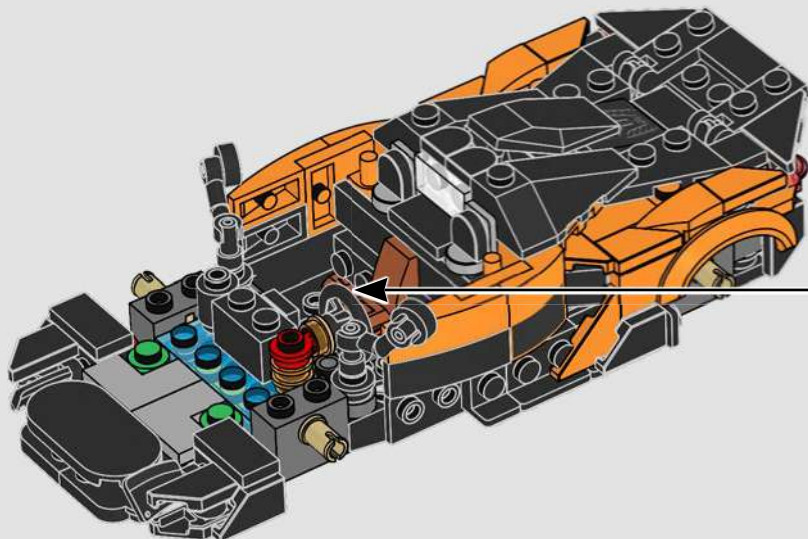
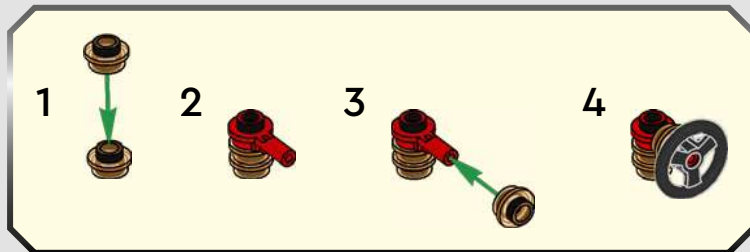


69





70



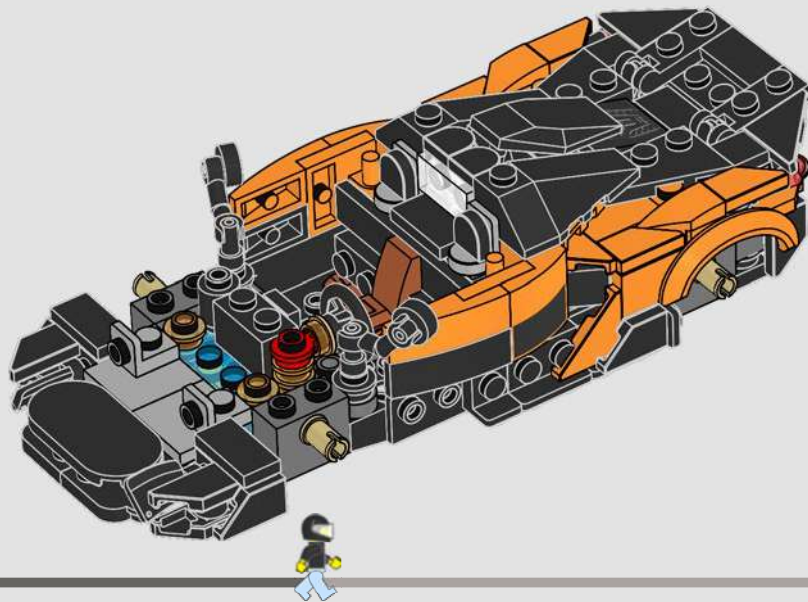


2x



2x

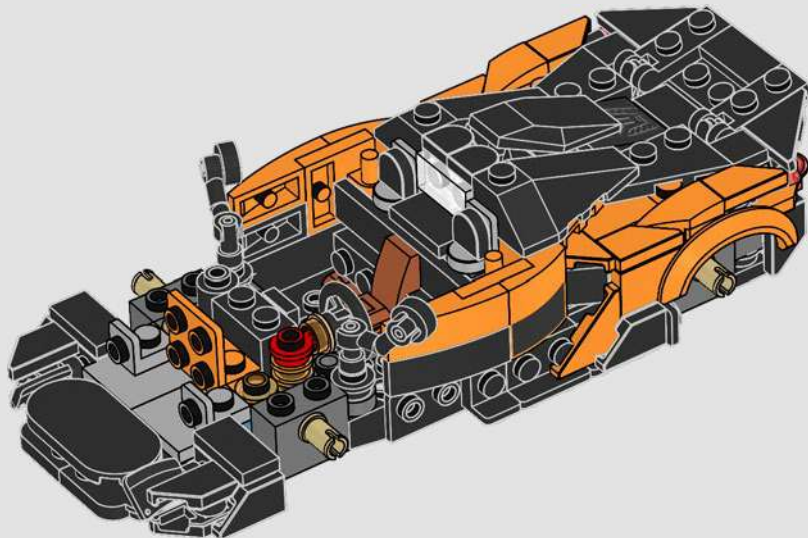
71





1x

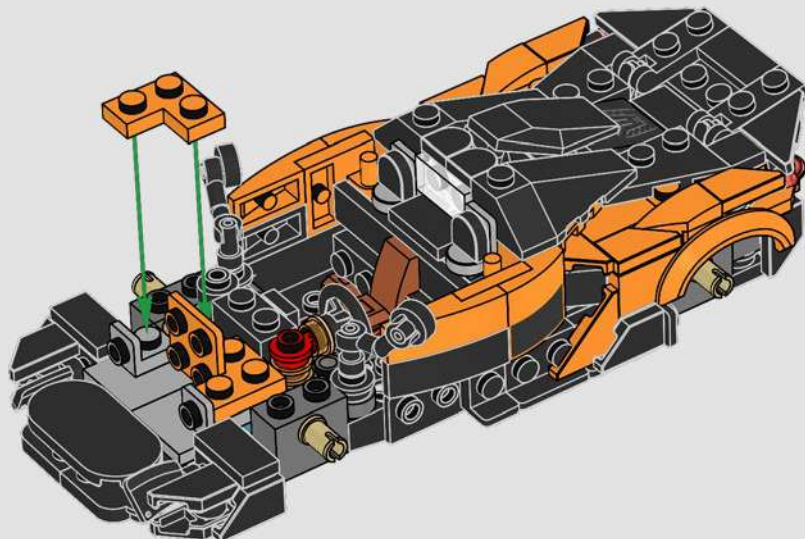
72





2x

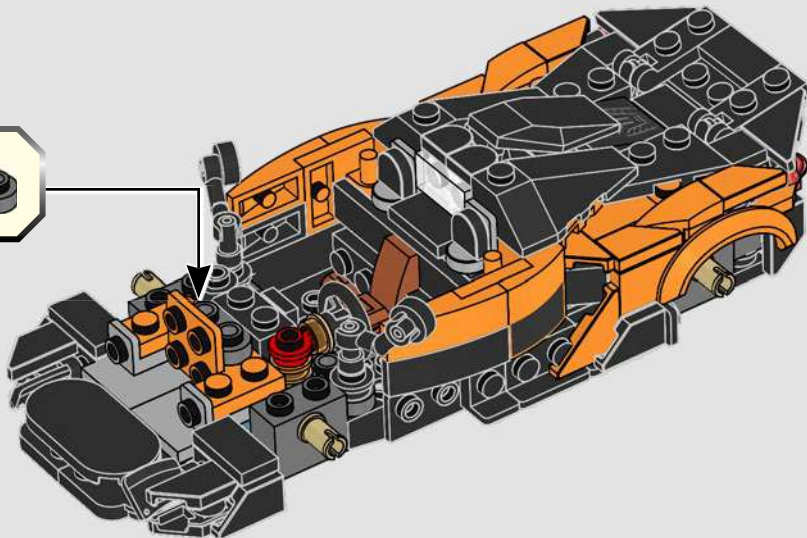
73

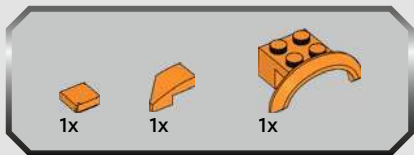




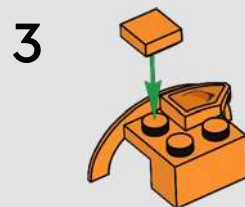
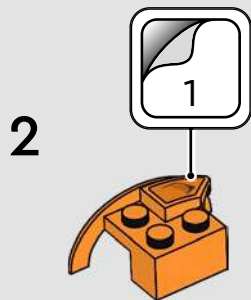
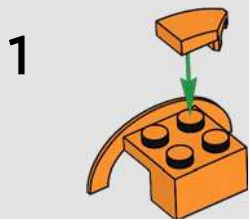
1x

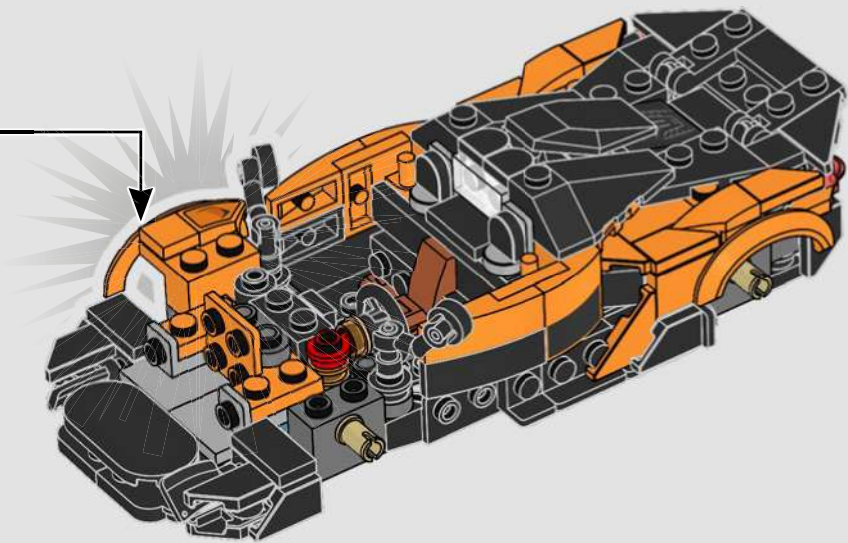
74

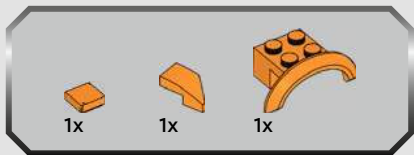




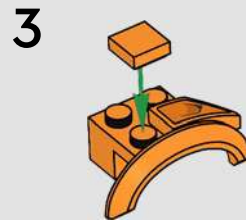
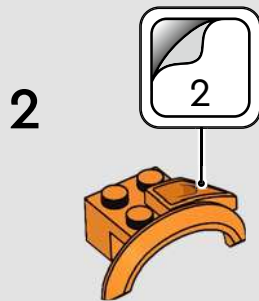
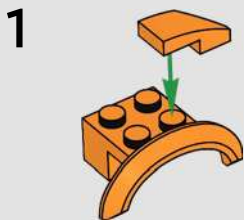
75

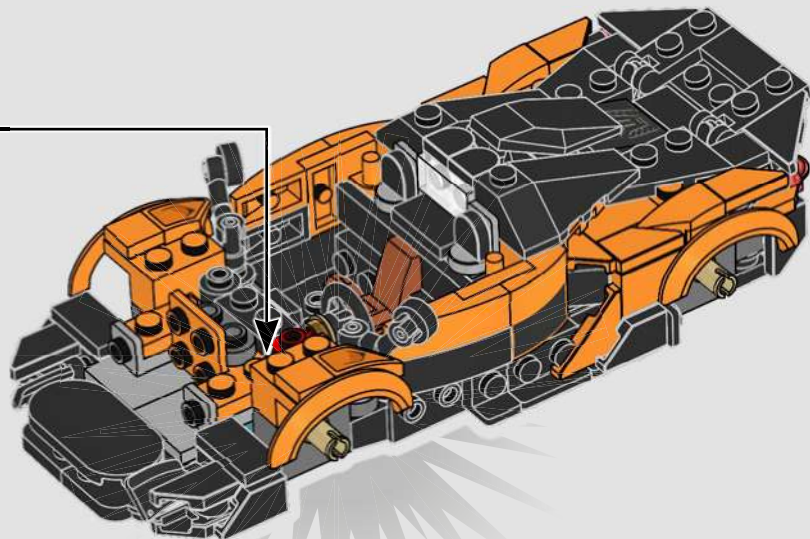


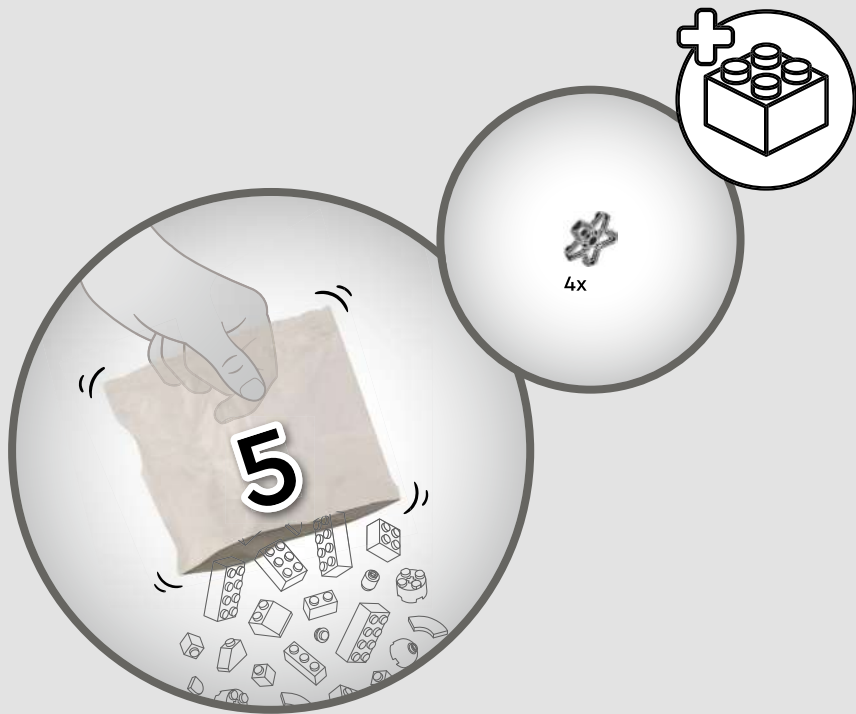


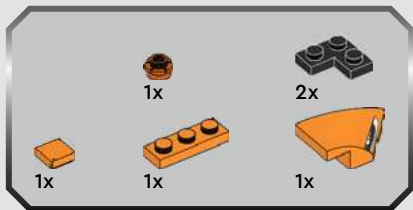


76







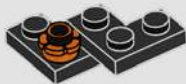


77

1



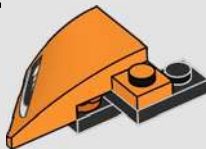
2



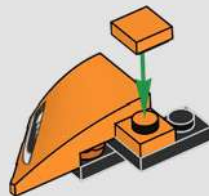
3

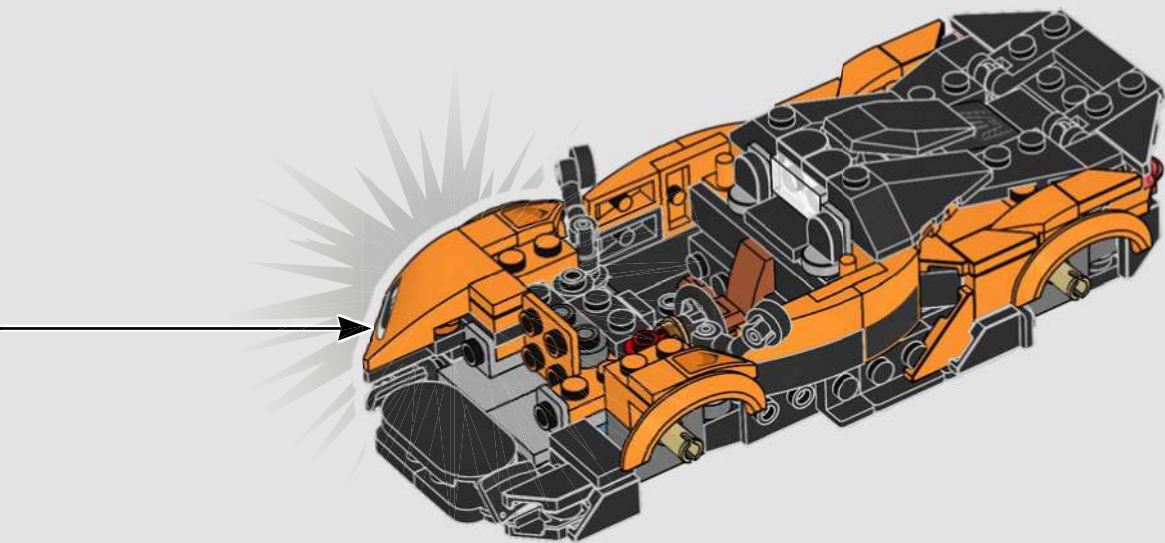


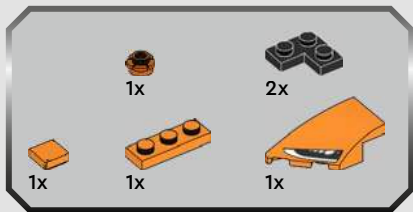
4



5





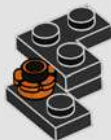


78

1



2



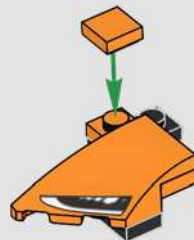
3

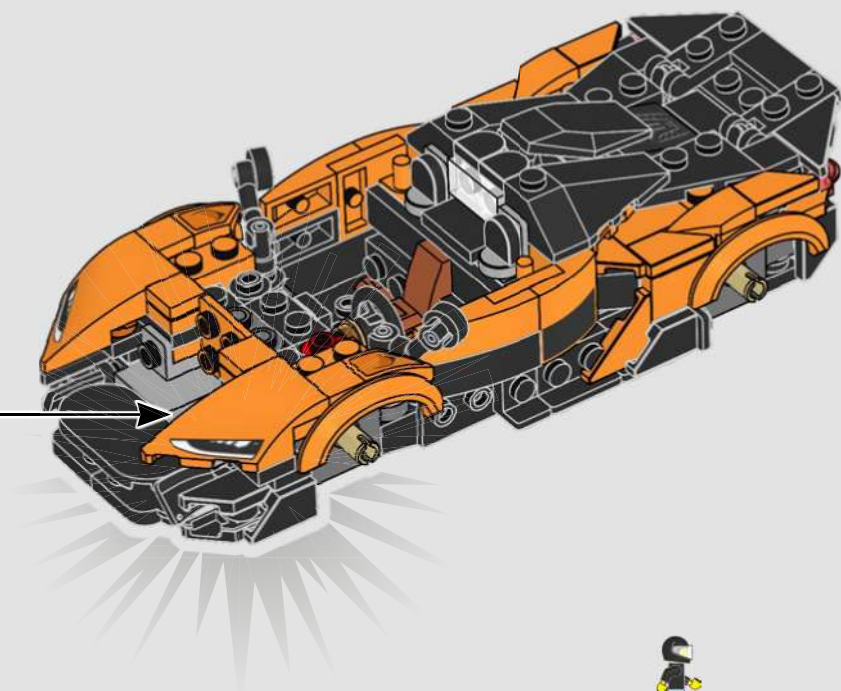


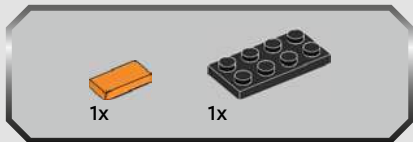
4



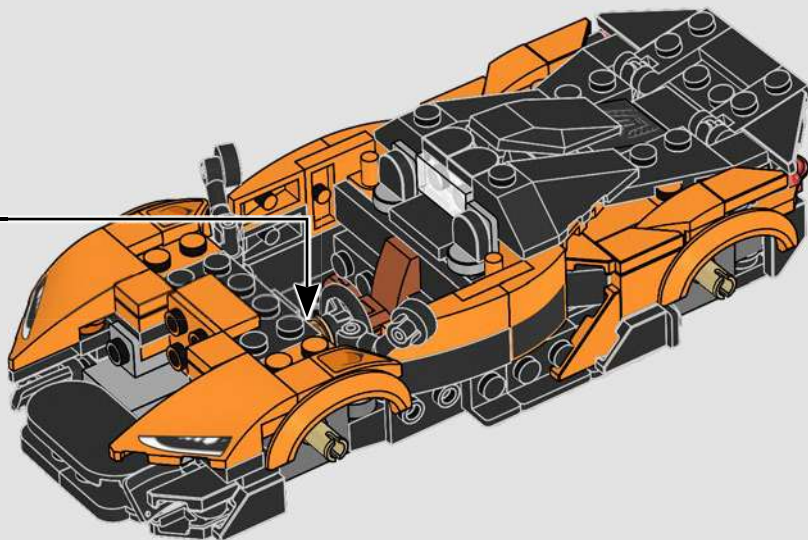
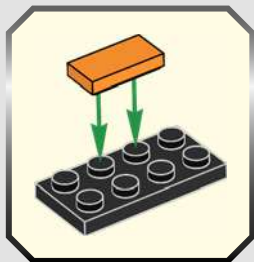
5

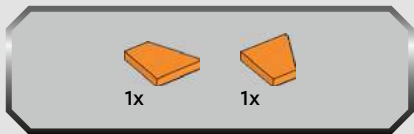




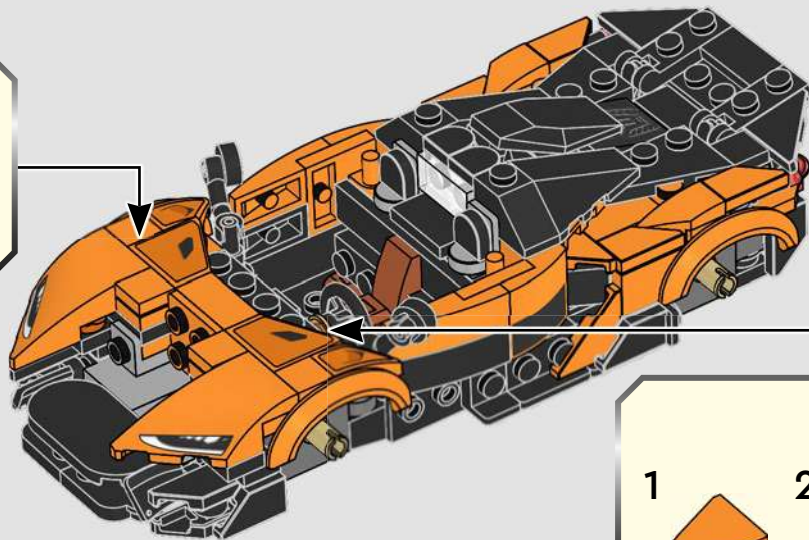
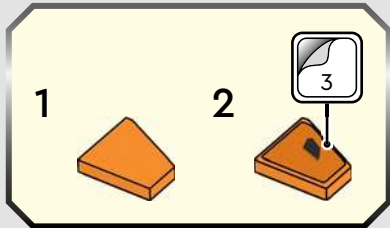


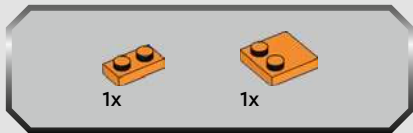
79



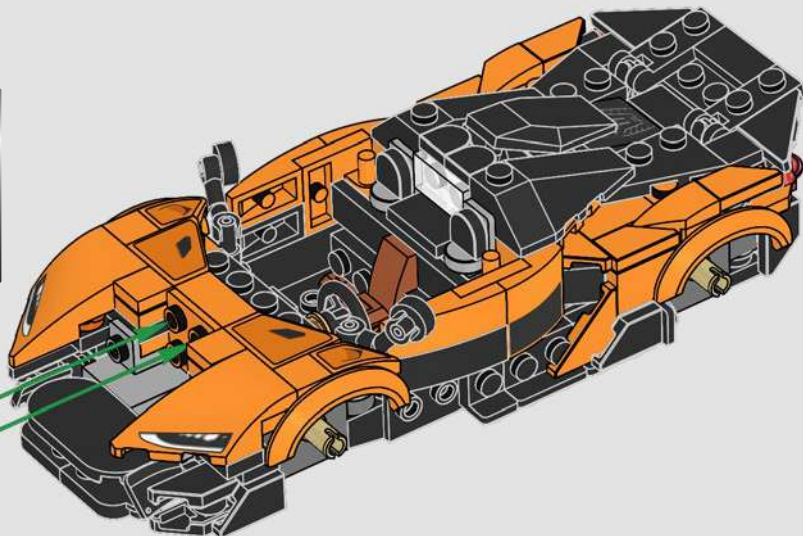
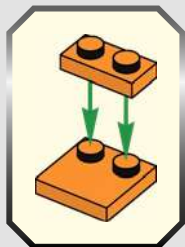


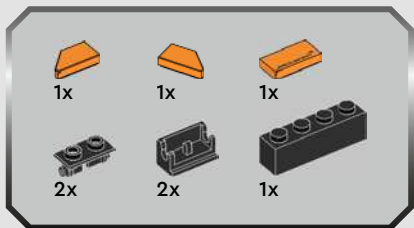
80



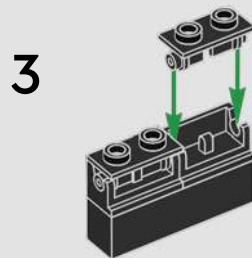
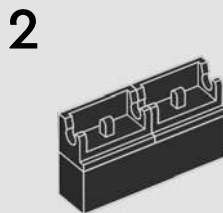
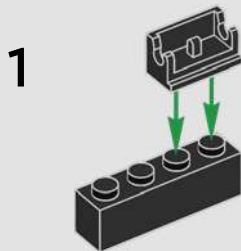


81





82

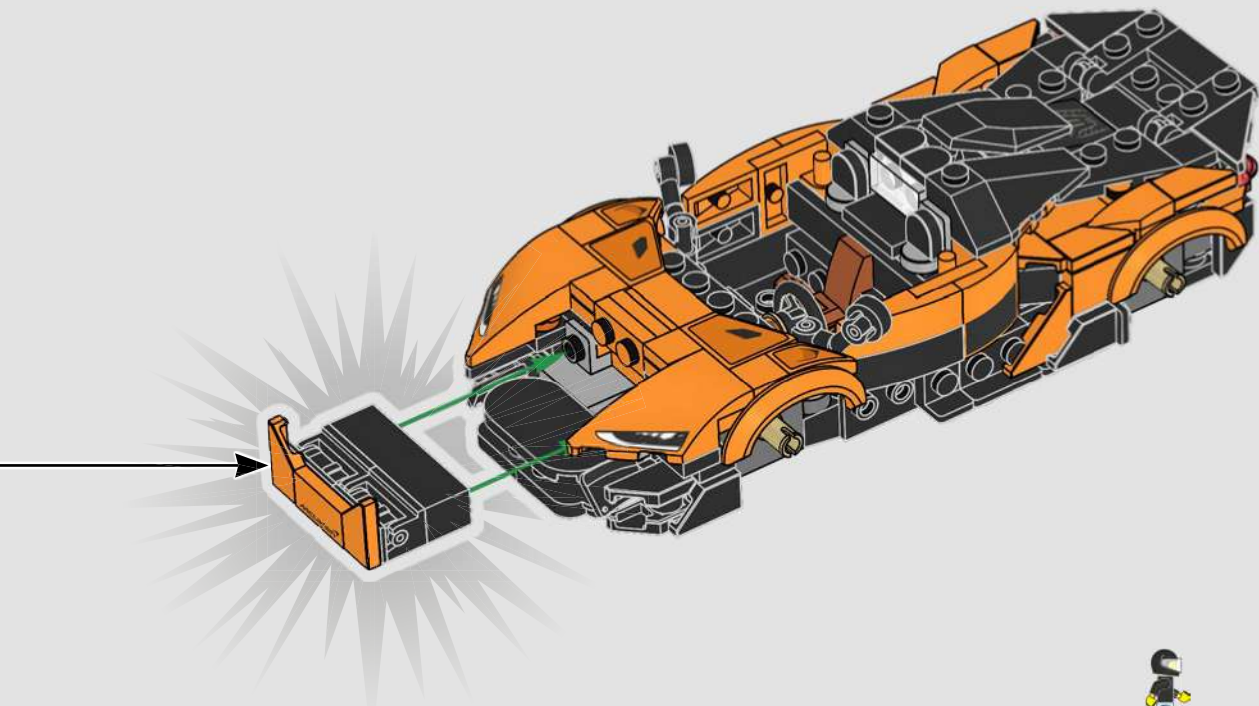


4



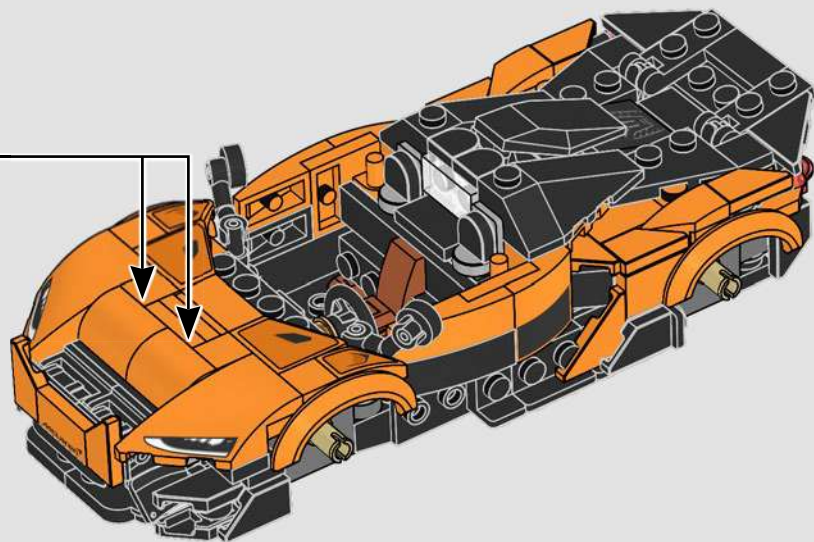
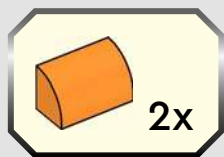
5

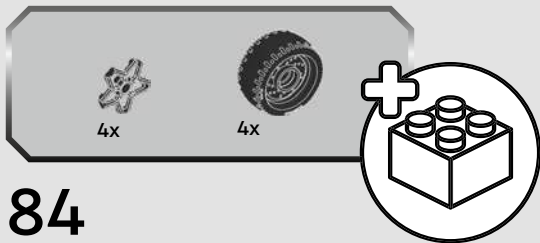




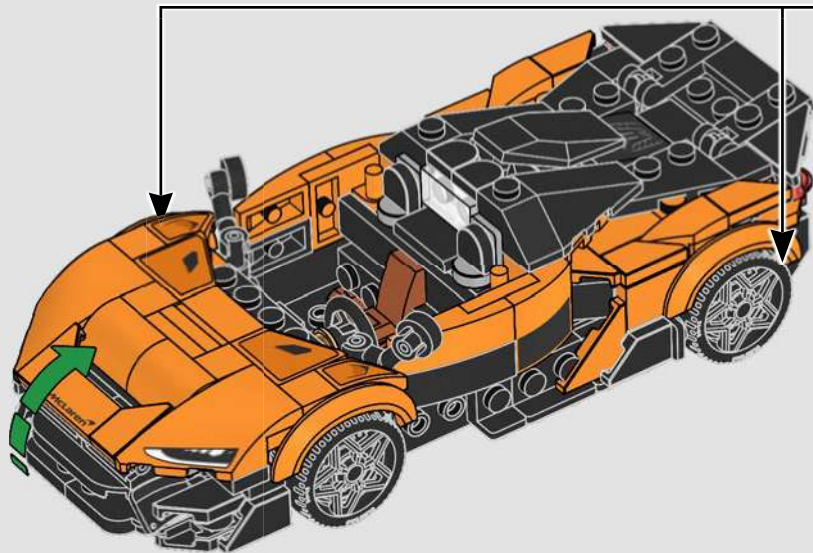


83



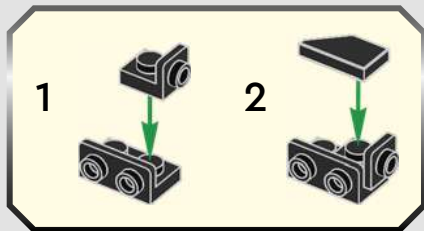
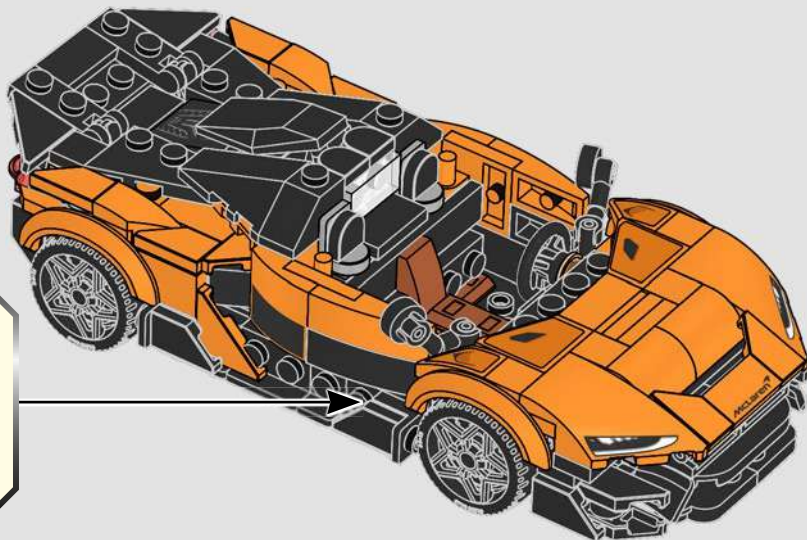


84



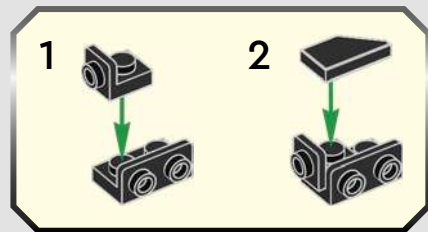
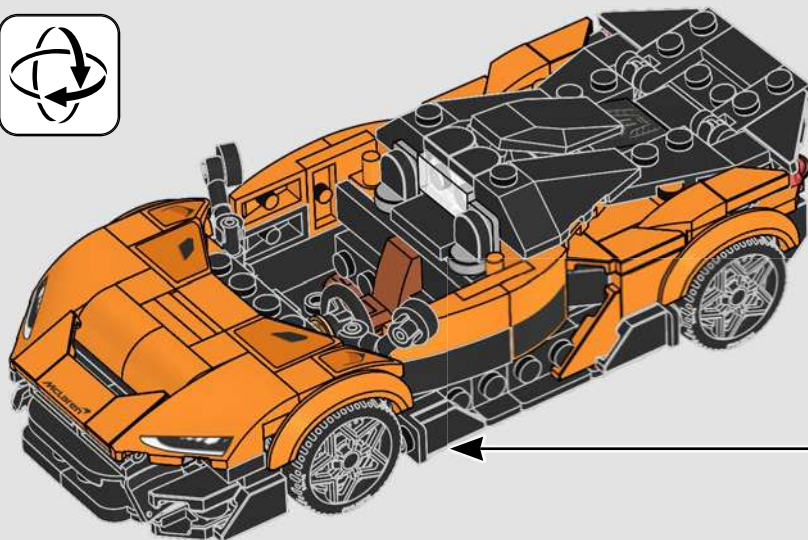


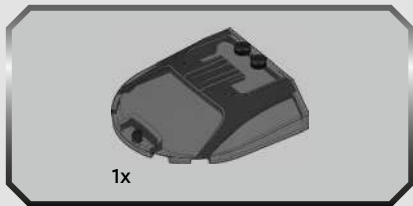
85



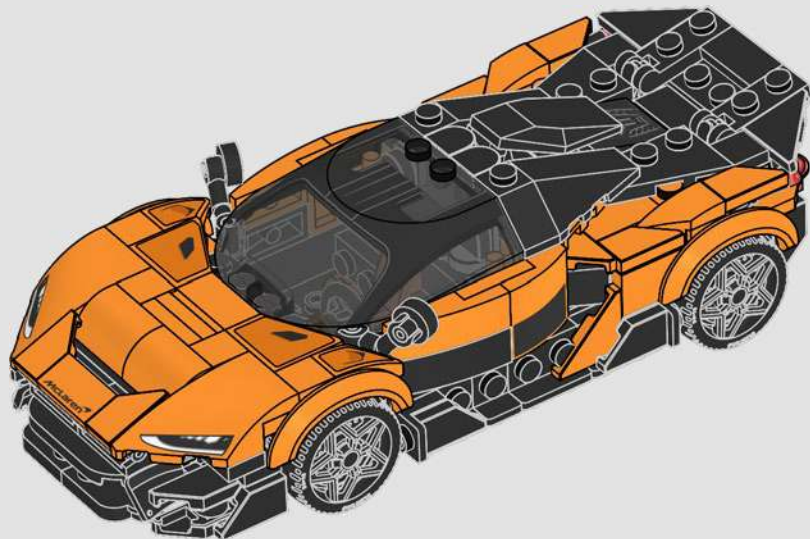


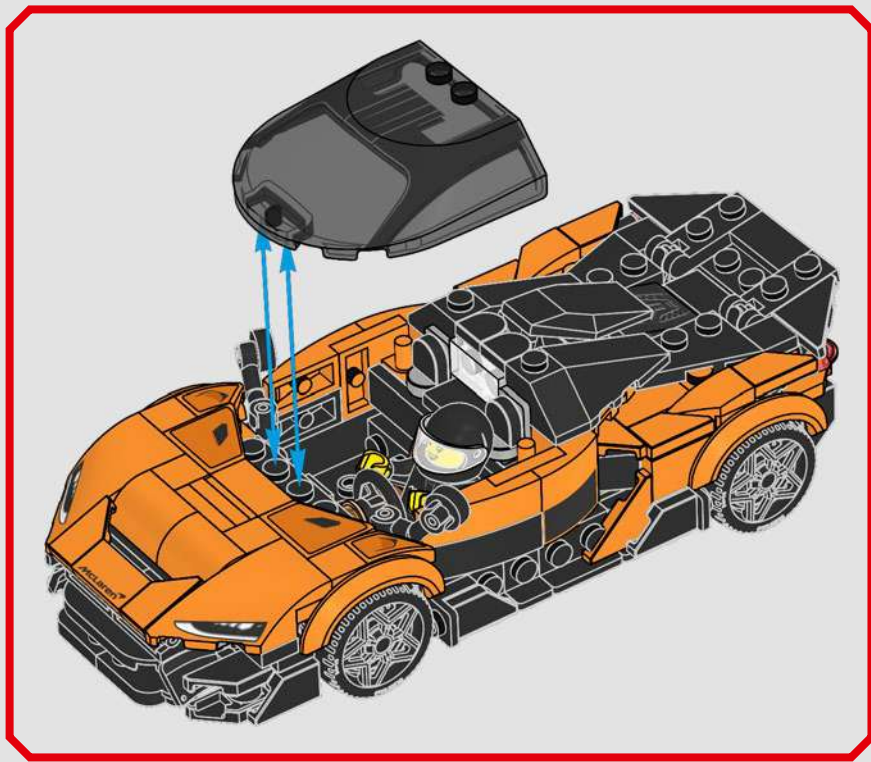
86

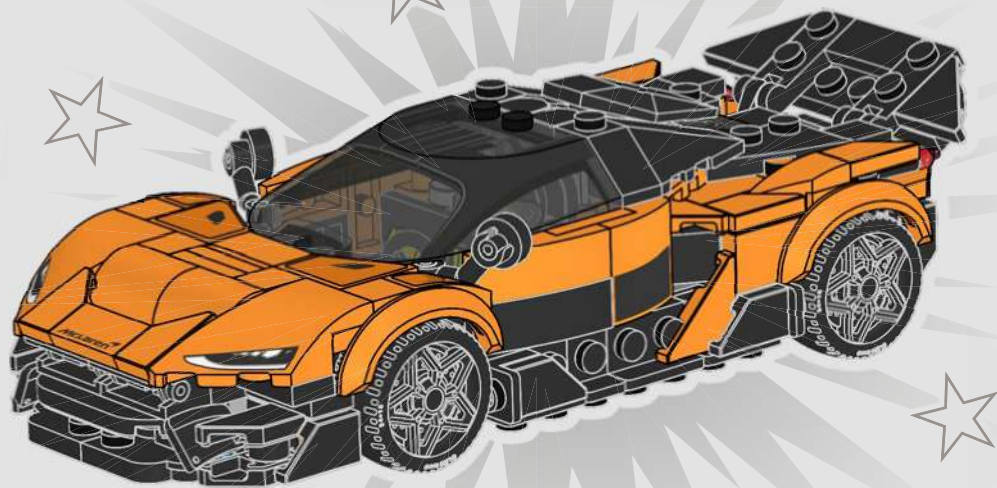




87









77256



77254



77252

APXGP



77255



77253

© Universal City Studios LLC and Amblin Entertainment, Inc. All Rights Reserved.























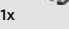






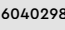
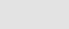















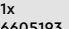


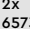

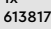



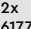

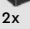










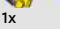

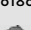



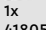
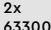



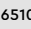
Produced under license of Ferrari S.p.A. The name FERRARI, the PRANCING HORSE device, all associated logos and distinctive designs, including the design of the Ferrari cars, are property of Ferrari S.p.A.

APXGP is a trademark of Apple.

The F1 logo, FORMULA 1, F1, GRAND PRIX and related marks are trademarks of Formula One Licensing BV, a Formula 1 company. All rights reserved.
OFFICIAL LICENSEE OF FORMULA 1®

© Disney/Pixar

The Bugatti logo and Bugatti wordmark are trademarks of Bugatti International S.A. and are used under license. Vision GT logo is a registered trademark or trademark of Sony Interactive Entertainment Inc.

 6x 6051511	 4x 6256435	 1x 6188823	 1x 6057397	 2x 6214807	 1x 6331483	 1x 366626	 1x 6514223
 4x 6466579	 2x 6424674	 6x 6510139	 2x 6281993	 4x 6336989	 1x 301026		 2x 6575165
 3x 6384112	 1x 6585408	 1x 6585407	 2x 6475339	 3x 6593250	 1x 6040298	 1x 6508995	 4x 6514003
 1x 6434831	 2x 4504382	 2x 6371584	 5x 306926	 4x 242026	 1x 6040298		 6x 4558595
 1x 302224	 2x 307026	 1x 6460731	 4x 393726	 1x 302226	 2x 302026		 2x 6261640
 1x 379524	 4x 6490944	 1x 6210270	 1x 6138173	 2x 4515368	 1x 6040297	 2x 4569058	 2x 6177499
 1x 306226	 2x 6573684	 2x 6196548	 3x 6313116	 2x 6566851	 1x 6350415	 4x 6396922	 4x 6510130
 8x 6168646	 2x 6187572	 1x 4180508	 2x 393826	 1x 6594939	 1x 6105963	 1x 6186009	 4x 6510144
 2x 6186675	 6x 6234695	 1x 4180536	 2x 6330086	 1x 6594939	 2x 6514231	 2x 6514231	 1x 6173933
 2x 6395769	 1x 4298619	 2x 6302313	 8x 6020193	 4x 6336858	 1x 663626	 1x 6244787	
102	 6x 6510125						



1x
6173928



1x
6593853



2x
6177490



1x
6253318



1x
4177932



1x
4188771



2x
6385785



1x
6585401



1x
6061676



2x
6346092



1x
6593855



3x
6400037



2x
4118829



2x
6593851



1x
6585406



10x
6106027



1x
6585405



2x
6184997



4x
6147047



2x
6593852



1x
6585403



4x
6593850



1x
6585402



1x
4153827



2x
6284071



4x
4211389



2x
6248078



4x
6335328



2x
6065824



2x
4515369



1x
4211445



8x
6475523



7x
6510162



1x
6368313



3x
6513941



8x
4211044



2x
6225494



4x
6221607



2x
6176400



1x
4211053



2x
6454959



1x
6167576



1x
6585404

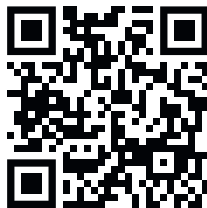


1x
6585400



 [LEGO.com/service](https://www.LEGO.com/service)

YOU COULD
WIN



Scan this QR code or go to
LEGO.COM/PRODUCTFEEDBACK and give us
your short feedback about this LEGO® set
for a chance to win a cool LEGO prize.

Terms and Conditions apply*

EN: YOU COULD WIN. Terms and Conditions apply* **DE: Du könntest GEWINNEN.** Es gelten die Teilnahmebedingungen* **FR: Tu pourrais GAGNER.** Des conditions s'appliquent* **IT: Potresti VINCERE tu.** Termini e condizioni sono applicabili* **ES: Puedes GANAR.** Aplican términos y condiciones* **PT: PODERÁ GANHAR.** Aplicam-se Termos e Condições* **ZH: 轻松获奖.** 条款和条件适用* **PL: Szansa na WYGRANĄ.** Obowiązuje regulamin* **CS: Máte šanci VYHRÁT.** Platí všeobecné smluvní podmínky* **SK: Máte šancu VYHRÁŤ.** Platia všeobecné zmluvné podmienky* **HU: TE IS NYERHETSZ.** Felhasználási feltételek érvényesek* **UA: ВИ МОЖЕТЕ ВИГРАТИ.** Застосовуються загальні положення та умови* **RO: Ai putea CÂȘTIGA.** Se aplică termenii și condiții* **BG: Можете да СПЕЧЕЛИТЕ.** Има определени правила и условия* **LV: Tu vari LAIMĒT.** Ir spēkā noteikumi un nosacījumi.* **ET: Sul on võimalus VÕITA.** Kehtivad tingimused* **LT: Jūs galite LAIMĖTI.** Taikomos sąlygos*

*[LEGO.com/productfeedback-terms](https://www.lego.com/productfeedback-terms)

LEGO and the LEGO logo are trademarks of the/son des marques de commerce du/son marcas registradas de LEGO Group.

©2026 The LEGO Group.

Manufactured under license from McLaren Automotive Limited. The McLaren name and logo are registered trademarks of McLaren.



6617284