



# 25 cu. ft. French Door Refrigerator

## WRF535SWH



Fingerprint-Resistant Stainless  
WRF535SWHZ

### Also available in:

- White **WRF535SWHW**
- Black **WRF535SWHB**
- Fingerprint-Resistant Black Stainless **WRF535SWHV**

### Capacity

Total Capacity	25 cu. ft.
Refrigerator Capacity	18 cu. ft.
Freezer Capacity	7 cu. ft.

### General Features & Properties

- Full-Width, Temperature-Controlled Drawer
- Frameless Glass Shelves
- Gallon Door Bins
- Accu-Chill™ Temperature Management System
- Adaptive Defrost
- FreshFlow™ Produce Preserver
- LED Interior Lighting
- Designed, Engineered and Assembled in the U.S.A.

ENERGY STAR® Certified

### Electrical Details

Amps	20
Volts	115

### Certifications

ENERGY STAR® Certified Yes

### Technical Details

Refrigerator Type	French Door
Number of Doors	3
Number of Interior Refrigerator Shelves	5
Number of Refrigerator Door Bins	2 Fixed, 4 Adjustable
Number of Interior Freezer Shelves	1 Wire, 1 Plastic
Lighting Type	LED
Ice Maker	Factory Installed
Ice Maker Location	Freezer
Dispenser Type	Interior Water

### Dimensions

Product Dimensions (H x W x D)	70-1/8" x 35-5/8" x 35-1/2"
Depth with Door Open 90°	48-1/8"
Cutout Dimensions	Allow extra 1/2" on sides and top Allow extra 1" on rear

### Reference Material

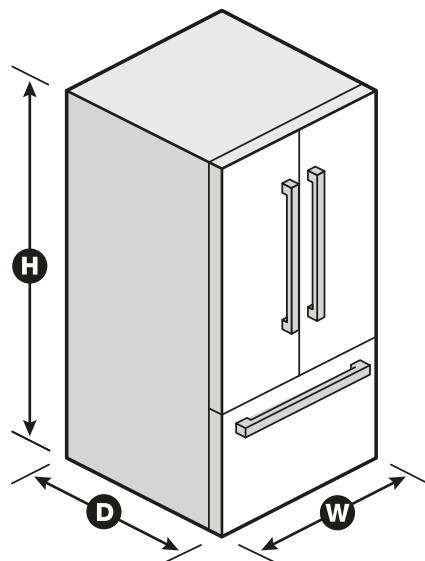
- [Dimension Guide](#)
- [Use & Care Guide](#)
- [Energy Guide](#)
- [Warranty](#)

### Key Features & Benefits

**Fingerprint Resistant**  
Resists fingerprints and smudges with an easy-to-clean finish.

**Humidity-Controlled Crispers**  
Store fruits and veggies in their ideal environment.

**Interior Water Dispenser with EveryDrop® Water Filtration**  
Easily access filtered water with the interior dispenser.



NOTE: Dimensions are for planning purposes only. For complete details, see Installation Instructions packed with product. Specifications subject to change without notice.