

# 24-Inch Microwave

**dacor**



**DMW2420S** – Silver Stainless

## Features & Benefits

- 6 menu options
- Sensor technology
- 3 defrost options
- Automatic start
- Keep warm
- Countertop or built-in installation

**DMW2420S** 24-Inch Microwave

## Controls

<b>CONTROL TYPE</b>	Membrane Touch
<b>CLOCK</b>	Yes
<b>CHILD LOCK</b>	Yes

## Microwave Oven

<b>MICROWAVE CAPACITY (CU. FT.)</b>	2
<b>MICROWAVE POWER</b>	1,100W
<b>SENSOR COOK</b>	Yes
<b>CONVECTION</b>	No
<b>LIGHTING</b>	Halogen

## Weights & Dimensions

<b>SHIPPING WEIGHT (LBS.)</b>	46
<b>PRODUCT DIMENSIONS (W X H X D IN INCH)</b>	24 x 13 ¾ x 19 ½

## Technical Details

<b>ELECTRICAL REQUIREMENTS</b>	120V, 60 Hz, 15A
--------------------------------	------------------

## Warranty

<b>FULL COVERAGE</b>	2 Years
----------------------	---------

## Accessories (Optional)

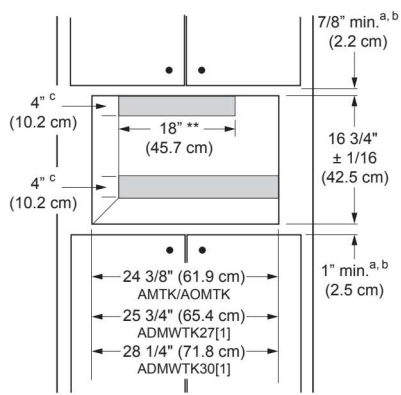
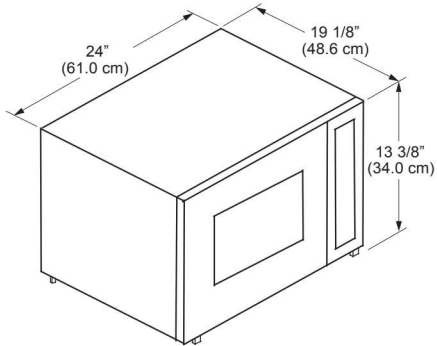
<b>ADMWTK301S</b>	30" Trim Kit
-------------------	--------------

Model numbers, specifications and prices are subject to change at any time without notice.  
Visit [dacor.com](http://dacor.com) for the most up-to-date information. | Effective October 25, 2024

# 24-Inch Microwave



## Product Dimensions



**INSTALLATION WITH BUILT-IN TRIM KIT**