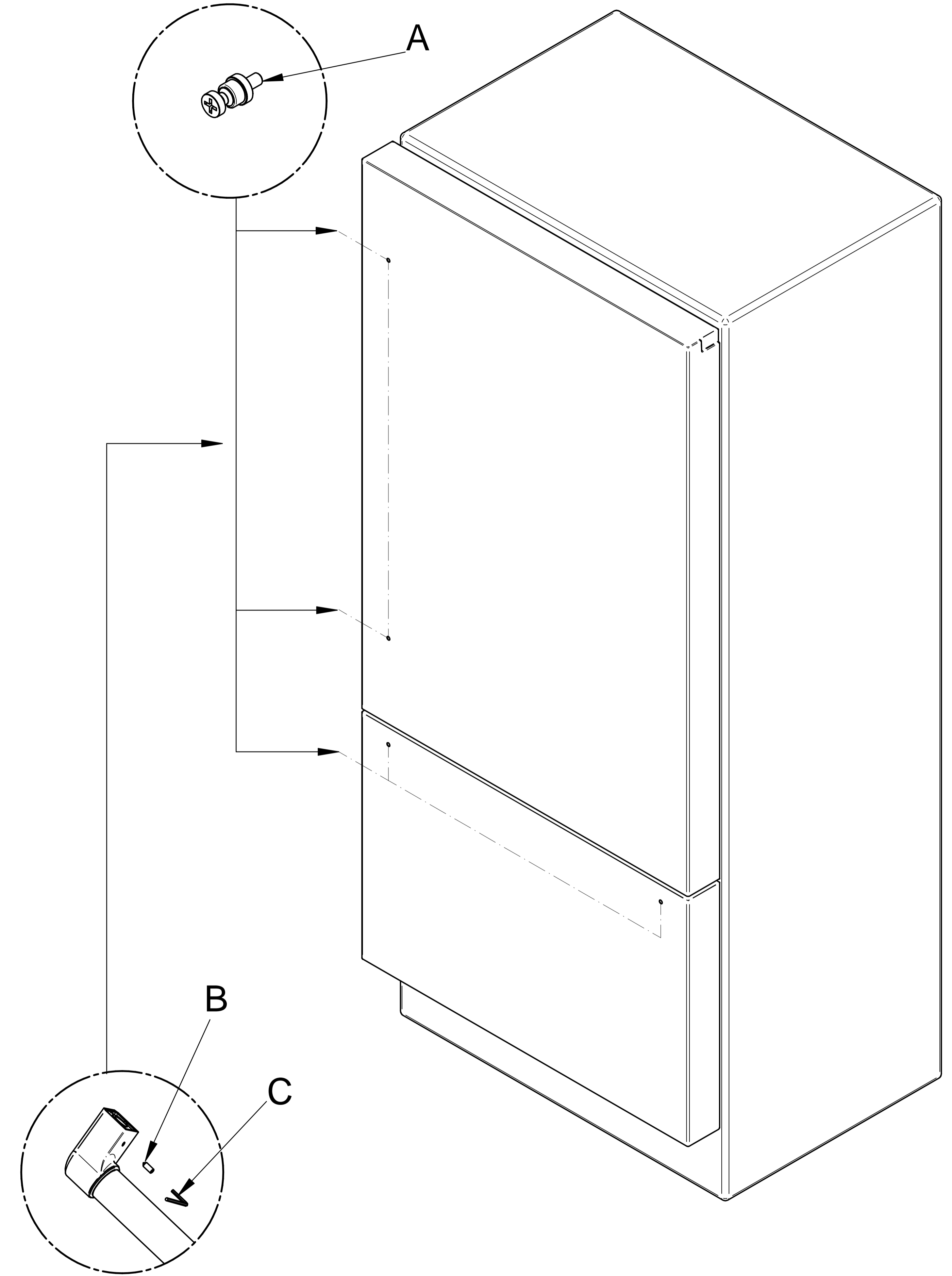


A x4

B x4

C x1



A

B

C