

# Installation Instructions

# Dryer

If you have any questions, call GE Appliances at 800.GE.CARES (800.432.2737) or visit our Website at: [GEAppliances.com](http://GEAppliances.com)  
In Canada, call 800.561.3344 or visit [www.GEAppliances.ca](http://www.GEAppliances.ca)

## BEFORE YOU BEGIN

Read these instructions completely and carefully.

- **IMPORTANT** – Save these instructions for local electrical inspector's use.
- **IMPORTANT** – Observe all governing codes and ordinances.
- Install the clothes dryer according to the manufacturer's instructions and local codes.
- **Note to Installer** – Be sure to leave these instructions with the Consumer.
- **Note to Consumer** – Keep these instructions for future reference.
- Clothes dryer installation must be performed by a qualified installer.
- This dryer must be exhausted to the outdoors.
- Before the old dryer is removed from service or discarded, remove the dryer door.
- Service information and the wiring diagram are located in the control console.
- Do not allow children on or in the appliance. Close supervision of children is necessary when the appliance is used near children.
- Proper installation is the responsibility of the installer.
- Product failure due to improper installation is not covered under the Warranty.
- Install the dryer where the temperature is above 50°F for satisfactory operation of the dryer control system.
- Remove and discard existing plastic or metal foil duct and replace with UL-listed duct.

## **WARNING**

### - Risk of Fire

- Clothes dryer installation must be performed by a qualified installer.
- Install the clothes dryer according to these instructions and local codes.
- **DO NOT** install a clothes dryer with flexible plastic venting materials. If flexible metal (semi-rigid or foil-type) duct is installed, it must be UL-listed and installed in accordance with the instructions found in "Connecting the Dryer to House Vent" later in this manual. Flexible venting materials are known to collapse, be easily crushed and trap lint. These conditions will obstruct dryer airflow and increase the risk of fire.
- **DO NOT** install or store this appliance in any location where it could be exposed to water or weather.
- To reduce the risk of severe injury or death, follow all installation instructions.
- Save these instructions. (Installers: Be sure to leave these instructions with the customer.)

## FOR GAS DRYERS ONLY

### In the Commonwealth of Massachusetts, the following installation instructions apply:

- Installation must be performed by a qualified or licensed contractor, plumber, or gasfitter qualified or licensed by the State.
- If using a ball valve, it shall be a T-handle type.
- A flexible gas connector, when used, must not exceed 4 feet (1.2 m).



**31-3000245-2**

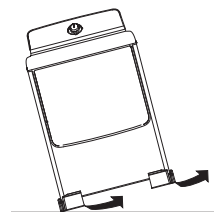
12-21 GEA

# Installation Instructions

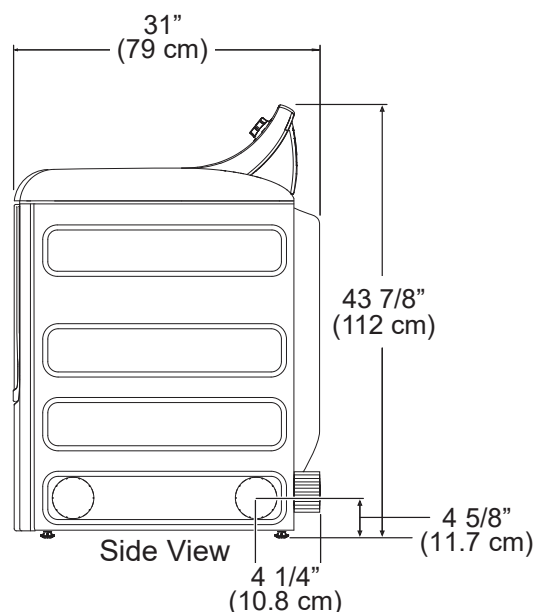
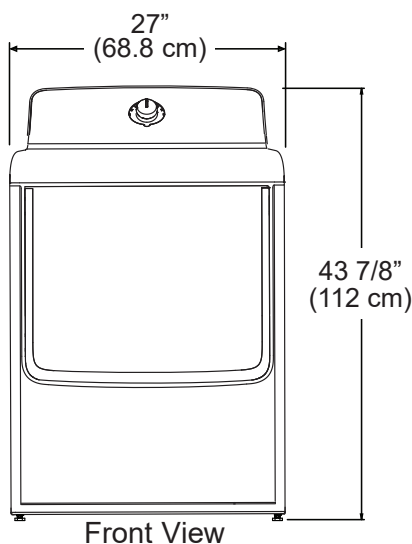
## UNPACKING YOUR DRYER

Tilt the dryer sideways and remove the foam shipping pads by pulling at the sides and breaking them away from the dryer legs. Be sure to remove all of the foam pieces around the legs.

Remove the bag containing the literature.



## DRYER DIMENSIONS



## ACCESSORIES:

Order on-line at [GEApplianceparts.com](http://GEApplianceparts.com), 24 hours a day or by phone at **877.959.8688** during normal business hours.

Part Number	Accessory
PM14X10056	Dryer Door Opening Vent Brush
WX14X10007	LintEater™ Dryer Rotary Tube Brush
PM08X10085	Flexible Metal Dryer Transition Duct

## STEAM WATER HOSES (for steam dryer models only):

GE Appliances strongly recommends the use of factory specified parts. These hoses are manufactured and tested to meet GE Appliances specifications.

GE Appliances strongly recommends the use of new water supply hoses. Hoses degrade over time and need to be replaced every 5 years to reduce the risk of hose failures and water damage.

### Parts and Accessories

Order on-line at [GEApplianceparts.com](http://GEApplianceparts.com), 24 hours a day or by phone at **877.959.8688** during normal business hours.

Part Number	Accessory
WE25X20060	Complete Kit (hoses, Y-adapter, washers) <b>or</b>
WE49X25794	Kit (Short hose, Y-adapter, washers) <b>and</b>
WE1M847	Long Hose
<b>OR SEPARATELY</b>	
WE1M847	Long Hose <b>and</b>
WE1M848	Short Hose

# Installation Instructions

## REQUIREMENTS FOR ALCOVE OR CLOSET INSTALLATION

### **WARNING** - Explosion Hazard

Keep flammable materials and vapors, such as gasoline, away from dryer.

Place dryer at least 18" (46 cm) above the floor for a garage installation.

Failure to do so can result in death, explosion, or fire.

- The dryer **MUST** be vented to the outdoors.
  - Minimum clearance between dryer cabinet and adjacent walls or other surfaces is:
    - 0" (0 cm) either side\*
    - 1" (2,54 cm) front
    - 1" (2,54 cm) rear
    - 1" (2,54 cm) top
- \*For improved performance, a 1/2" (12.7 mm) clearance is suggested on each side.
- The rear of the dryer should face a wall.
  - Consideration must be given to provide adequate clearance for installation and service.
  - Closet doors must be louvered or otherwise ventilated and have at least 60 square inches (387 cm<sup>2</sup>) of open area. If the closet contains both a washer and a dryer, doors must contain a minimum of 120 square inches (774 cm<sup>2</sup>) of open area.

**NOTE:** WHEN THE EXHAUST DUCT IS LOCATED AT THE REAR OF THE DRYER, THE CONFIGURATION OF THE DUCTING MAY REQUIRE GREATER CLEARANCE.

### **Gas Dryers Only:**

- No other fuel burning appliance shall be installed in the same closet as a gas dryer.
- The dryer must be disconnected from the gas supply piping during pressure testing at pressures greater than 1/2 psi (3.5 kPa).
- A 1/8" (3.2 mm) NPT minimum plugged tapping, accessible for test gauge connection, must be installed immediately upstream of the gas supply connection to the dryer.

## MINIMUM CLEARANCE OTHER THAN ALCOVE OR CLOSET INSTALLATION

Minimum clearance to combustible surfaces and for air opening are: 0" (0 cm) both sides\*, 1" (2,54 cm) rear and 1" (2,54 cm) top.

\*For improved performance, a 1/2" (12.7 mm) clearance is suggested on each side.

The rear of the dryer should face a wall.

Consideration must be given to provide adequate clearance for installation and service.

## MOBILE OR MANUFACTURED HOME INSTALLATION

- Installation **MUST** conform to the MANUFACTURED HOME CONSTRUCTION AND SAFETY STANDARD, TITLE 24, PART 3280 or STANDARD FOR MOBILE HOMES CAN/CSA-Z240 MH, or, when such standards are not applicable, with AMERICAN NATIONAL STANDARD FOR MOBILE HOME, ANSI/NFPA NO. 501B.
- The dryer **MUST** be vented to the outdoors.
- The exhaust vent **MUST** be securely fastened to a non-combustible portion of the mobile home.
- The vent **MUST NOT** be terminated beneath a mobile or manufactured home.
- The vent duct material **MUST BE METAL**.
- KIT 14-D346-33 **MUST** be used to attach the dryer securely to the structure.
- The vent **MUST NOT** be connected to any other duct, vent or chimney.
- **DO NOT** use sheet metal screws or other fastening devices which extend into the interior of the exhaust vent.
- Provide an opening with a free area of at least 25 square inches (63 cm<sup>2</sup>) for introduction of outside air into the dryer room.
- See the sections for electrical connection information.

# Installation Instructions

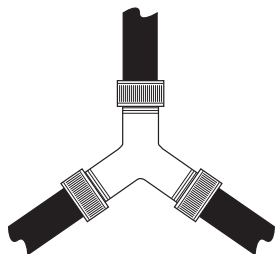
## CONNECTING INLET HOSES (for steam dryer models only)

### CONNECTING INLET HOSES

To produce steam, the dryer must connect to the cold water supply. Since the washer must also connect to the cold water, a “Y” connector is inserted to allow both inlet hoses to make that connection at the same time.

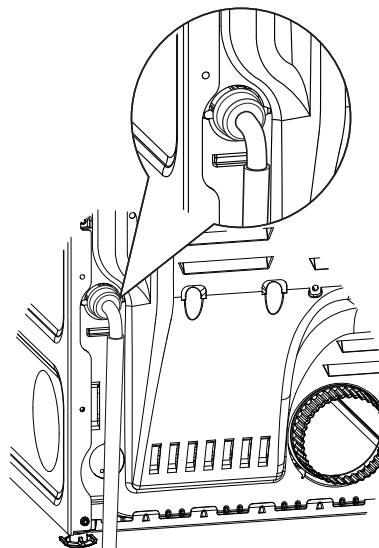
**NOTE:** Use new inlet hoses; never use old hoses.

1. Turn the cold water faucet off. Remove the washer inlet hose from the washer fill valve connector (cold).
2. Ensure the rubber flat washer is in place and attach one female coupling of the short hose provided onto the washer fill valve connector. Tighten by hand until firmly seated.
3. Attach one male end of the “Y” connector to the other female coupling of the short hose. Ensure the rubber flat washer is in place. Tighten by hand until firmly seated.



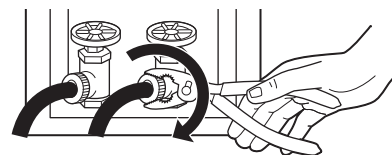
4. Insert the filter screen in the coupling of the **washer's** inlet hose. If a rubber flat washer is already in place remove it before installing the filter screen. Attach this coupling to one male end of the “Y” connector. Tighten by hand until firmly seated.
5. Ensure the rubber flat washer is in place and attach a 4 ft. (1.2 m) to 6 ft. (1.8 m) long water inlet hose (may need to be purchased separately) to one male end of the “Y” connector. Tighten by hand until firmly seated.
6. Ensure the rubber flat washer is in place and attach the other end of the **dryer's** long inlet hose to the fill valve connector at the bottom of the dryer back panel. Tighten by hand until firmly seated.

### CONNECTING INLET HOSES (cont.)



7. Using pliers, tighten all the couplings with an additional two-thirds turn.

**NOTE:** Do not overtighten. Damage to the couplings may result.



8. Turn the water faucet on.
9. Check for leaks around the “Y” connector, faucet and hose couplings.

### WATER SUPPLY REQUIREMENTS



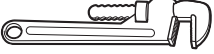


Hot and cold water faucets **MUST** be installed within 42 in. (107 cm) of your washer's water inlet. The faucets **MUST** be 3/4" (19.1 mm) garden hose-type so inlet hoses can be connected. Water pressure **MUST** be between 10 and 120 pounds per square inch. Your water department can advise you of your water pressure.

**NOTE:** A water softener is recommended to reduce buildup of scale inside the steam generator if the home water supply is very hard.











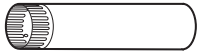


# Installation Instructions

## CONNECTING A GAS DRYER (skip for electric dryers)

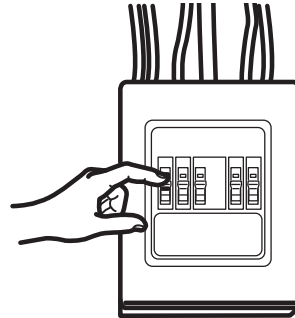
### TOOLS YOU WILL NEED

- 10" (25.40 cm) Adjustable wrenches (2) 
- Flat-blade screwdriver 
- 8" (20.32 cm) Pipe wrench 
- Slip-joint pliers 
- Level 

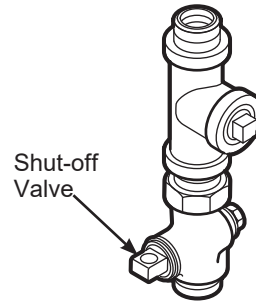
### MATERIALS YOU WILL NEED

- 4" (10.2 cm) dia. metal elbow 
- Gloves 
- Pipe compound or PTFE tape 
- Soap solution for leak detection 
- Flexible gas line connector 
- Exhaust hood 
- Duct clamps (2) or Spring clamps (2) 
- Duct tape 
- Safety glasses 
- Gas pipe adapters (2), elbow and pipe plug 
- 4" (10.2 cm) dia. metal duct (recommended) 
- 4" (10.2 cm) dia., UL-listed flexible metal duct (if needed) 
- 4" Cover Plate (Kit WE49X22606) (if needed) 

- Before beginning the installation, turn off the circuit breaker(s) or remove the dryer's circuit fuse(s) at the electrical box. Be sure the dryer cord is unplugged from the wall.



- Turn the dryer's gas shut-off valve in the supply line to the OFF position.



- Disconnect and discard old flexible gas connector and ducting material.



# Installation Instructions

## CONNECTING A GAS DRYER (cont.)

### GAS REQUIREMENTS

#### **⚠ WARNING** - Explosion Hazard

- Use a new CSA International approved flexible gas supply line. Never reuse old flexible connectors.
- Install an individual manual shut-off valve within 6ft. of the dryer in accordance with the National Fuel Gas Code, ANSI Z223.1/NFPA 54.
- Securely tighten all gas connections.
- If connected to LP gas, have a qualified person make sure gas pressure **DOES NOT** exceed 13" (33 cm) water column.
- Examples of a qualified person include: licensed heating personnel, authorized gas company personnel, and authorized service personnel.
- Failure to do so can result in death, explosion, or fire.

- The installation must conform with local codes, or in the absence of local codes, with the National Fuel Gas Code, ANSI Z223.1/NFPA 54, or the Natural Gas and Propane Installation Code, CSA B149.1.

### GAS SUPPLY

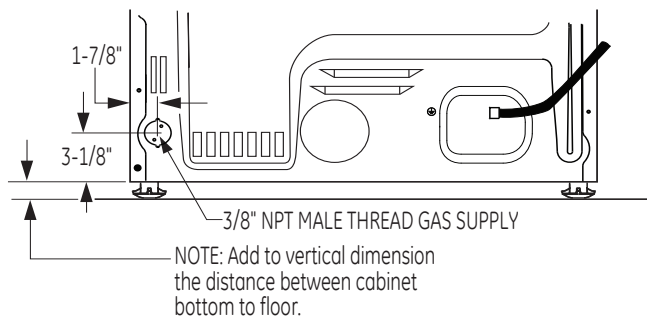
- A 1/8" (3.2 mm) National Pipe Taper thread plugged tapping, accessible for test gauge connection, must be installed immediately upstream of the gas supply connection to the dryer. Contact your local gas utility should you have questions on the installation of the plugged tapping.
- Supply line is to be 1/2" (12.7 mm) rigid pipe and equipped with an accessible shutoff within 6 feet (1.8 m) of, and in the same room with, the dryer.
- Use pipe thread compound appropriate for natural or LP gas or use PTFE tape.
- Connect flexible metal connector to dryer and gas supply.

#### **⚠ WARNING** - Fire Hazard

#### **FOR USE WITH NATURAL GAS ONLY**

Dryer as produced by manufacturer is to be used only with a natural gas supply. A manufacturer-supplied conversion kit is required to convert this dryer for propane gas supply. Use propane gas conversion kit WE25M87. Conversion must be made by properly trained and qualified personnel in accordance with local codes and ordinances.

### DRYER GAS SUPPLY CONNECTION



You must use with this dryer a flexible metal connector (listed connector ANSI Z21.24 / CSA 6.10). The length of the connect shall not exceed 4 ft. (1.2 m).

### ADJUSTING FOR ELEVATION

- Gas clothes dryers input ratings are based on sea level operation and need not be adjusted for operation at or below 2000 ft. (610 m) elevation. For operation at elevations above 2000 ft. (610 m), input ratings should be reduced at a rate of 4 percent for each 1000 ft. (305 m) above sea level.
- Installation must conform to local codes and ordinances or, in their absence, the NATIONAL FUEL GAS CODE, ANSI Z223.

# Installation Instructions

## CONNECTING A GAS DRYER (cont.)

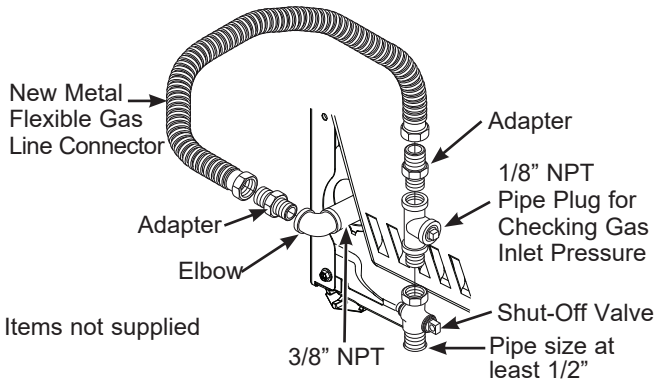
### CONNECTING THE DRYER TO THE GAS SUPPLY

**A** Install a female 3/8" (9.6 mm) NPT elbow at the end of the dryer gas inlet.

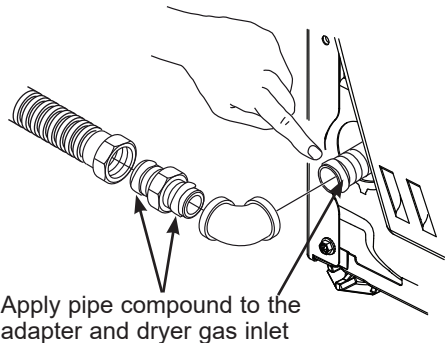
Install a 3/8" (9.6 mm) flare union adapter to the female elbow.

**IMPORTANT:** Use a pipe wrench to securely hold on to the end of the dryer gas inlet to prevent twisting the inlet.

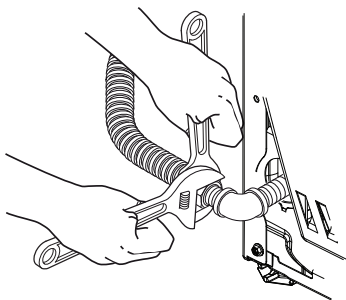
**NOTE:** Apply pipe compound or PTFE tape to the threads of the adapter and dryer gas inlet.



**B** Attach the flexible metal gas line connector to the adapter.



**C** Tighten the flexible gas line connection, using two adjustable wrenches.

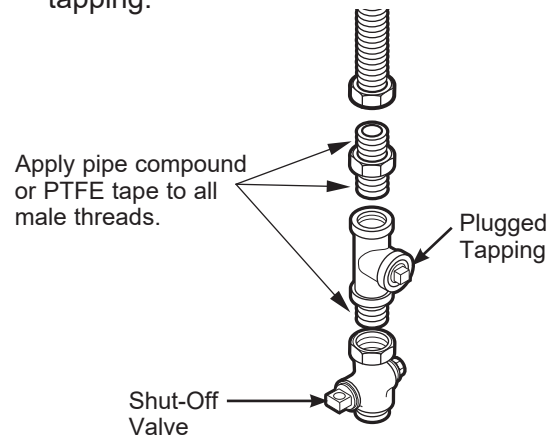


### CONNECTING THE DRYER TO THE GAS SUPPLY (cont.)

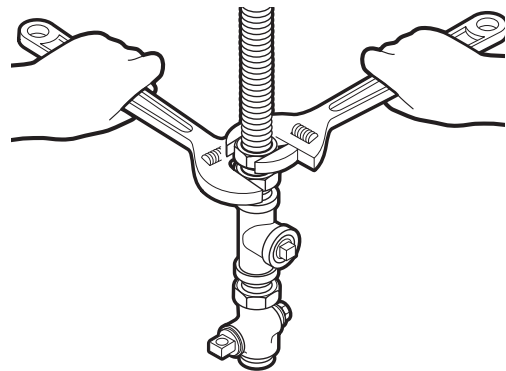
**D** Install a 1/8" (3.2 mm) NPT plugged tapping to the dryer gas line shut-off valve for checking gas inlet pressure.

Install a flare union adapter to the plugged tapping.

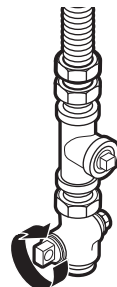
**NOTE:** Apply pipe compound or PTFE tape to the threads of the adapter and plugged tapping.



**E** Tighten all connections, using two adjustable wrenches. **Do not overtighten.**



**F** Open the gas shut-off valve.



# Installation Instructions

## CONNECTING A GAS DRYER (cont.)

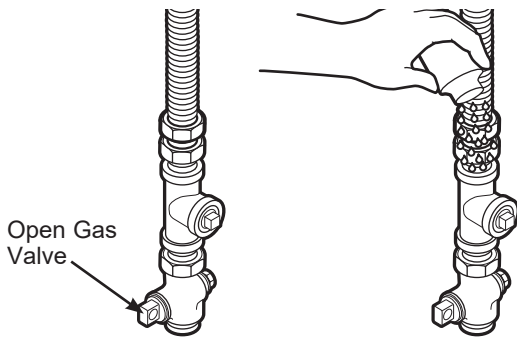
### TEST FOR LEAKS

Never use an open flame to test for gas leaks.

Check all connections for leaks with soapy solution or equivalent.

Apply a soap solution. The leak test solution must not contain ammonia, which could cause damage to the brass fittings.

If leaks are found, close the valve, retighten the joint and repeat the soap test.



### ELECTRICAL CONNECTION INFORMATION FOR GAS DRYERS

**⚠ WARNING**  - Electrical Shock Hazard

Plug into a grounded 3 prong outlet.

**DO NOT** remove ground prong.

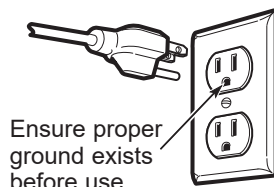
**DO NOT** use an adapter.

**DO NOT** use an extension cord.

Failure to do so can result in death, fire or electrical shock.

- Circuit – Individual properly polarized and grounded 15 or 20 amp circuit breaker or time-delay fuse.
- Power Supply – 2-wire plus ground, 120 Volt, single phase, 60 Hz, alternating current.

- Outlet Receptacle – Properly grounded 3-prong receptacle to be located so the power cord is accessible when the dryer is in an installed position. If a 2-prong receptacle is present, it is the owner's responsibility to have a licensed electrician replace it with a properly grounded 3-prong grounding type receptacle.



### ELECTRICAL CONNECTION INFORMATION FOR GAS DRYERS (cont.)

- Dryer must be electrically grounded in accordance with local codes and ordinances, or in the absence of local codes, with the latest edition of the NATIONAL ELECTRICAL CODE, ANSI/NFPA NO. 70 or CANADIAN ELECTRICAL CODE, CSA C22.1. Check with a licensed electrician if you are not sure that the dryer is properly grounded.

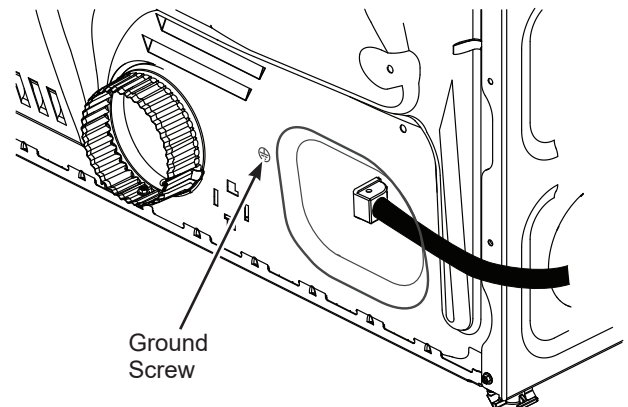
### GROUNDING INSTRUCTIONS

This dryer must be grounded. In the event of a malfunction or breakdown, grounding will reduce the risk of electric shock by providing a path of least resistance for electric current. This dryer uses a cord having an equipment-grounding conductor and a grounding plug. The plug must be plugged into an appropriate outlet that is properly installed and grounded in accordance with all local codes and ordinances.

**⚠ WARNING** Improper connection of the equipment-grounding conductor can result in a risk of electric shock. Check with a qualified electrician, or service representative or personnel, if you are in doubt as to whether the appliance is properly grounded. **DO NOT** modify the plug on the power supply cord. If it will not fit the outlet, have a proper outlet installed by a qualified electrician.

### SAVE THESE INSTRUCTIONS

- If required by local codes, an external 18 gauge or larger copper ground wire (not provided) may be added. Attach to dryer cabinet with a #8-18 x 1/2" (12.7 mm) sheet metal screw (available at any hardware store) to rear of dryer as illustrated.









# Installation Instructions





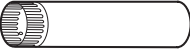




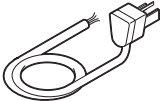

## CONNECTING AN ELECTRIC DRYER

(Skip for gas dryers and if your dryer already has a power cord attached)

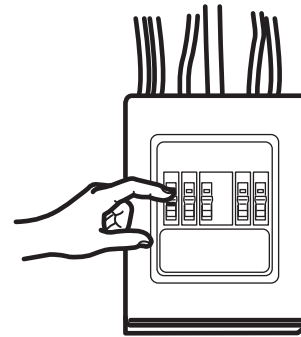
### TOOLS YOU WILL NEED

- Slip-joint pliers 
- Flat-blade screwdriver 
- Phillips screwdriver 
- Level 

### MATERIALS YOU WILL NEED

- 4" (10.2 cm) dia. metal elbow 
- Metal strain relief clamp (UL recognized) 
- 4" (10.2 cm) Duct clamps (2) or 4" (10.2 cm) spring clamps (2) 
- Safety glasses 
- 4" (10.2 cm) dia. metal duct (recommended) 
- 4" (10.2 cm) dia., UL-listed flexible metal duct (if needed) 
- Gloves 
- Exhaust hood 
- Duct tape 
- Dryer power cord kit (not provided with dryer)  
UL rated 120/240V, 30A with 3 or 4 prongs. Identify the plug type as per the house receptacle before purchasing line cord. 
- 4" Cover Plate (Kit WE49X22606) (if needed) 

Before making the electrical connection, turn off the circuit breaker(s) or remove the dryer's circuit fuse(s) at the electrical box. Be sure the dryer cord is unplugged from the wall. NEVER LEAVE THE ACCESS COVER OFF THE TERMINAL BLOCK.



### **⚠ WARNING** - Electrical Shock Hazard

Disconnect power supply before servicing.  
Replace all parts and panels before operating.  
Failure to do so can result in death or electrical shock.

### POWER CORDS

GE Appliances strongly recommends the use of factory specified parts. Select the power cord to fit your installation requirements.

**NOTE:** If your dryer circuit is on a circuit protected by a GFCI breaker, then 3-wire installation is not permitted. House wiring and dryer must be configured for 4-wire.

Part Number	Type	Length	Amperage
WX9X2	3-Prong	4 ft. (1.2 m)	30
WX9X3	3-Prong	5 ft. (1.5 m)	30
WX9X4	3-Prong	6 ft. (1.8 m)	30
WX9X18	4-Prong	4 ft. (1.2 m)	30
WX9X19	4-Prong	5 ft. (1.5 m)	30
WX9X20	4-Prong	6 ft. (1.8 m)	30

Order on-line at [GEApplianceparts.com](http://GEApplianceparts.com) today, 24 hours a day or by phone at 877.959.8688 during normal business hours. In Canada, visit your local GE Appliances parts distributor or call 800.661.1616 or [GEAppliances.ca/en/products/parts-filters-accessories](http://GEAppliances.ca/en/products/parts-filters-accessories).

# Installation Instructions

## ELECTRICAL CONNECTION INFORMATION FOR ELECTRIC DRYERS

### For electrical connections using a power cord:


**NOTE:** If your dryer circuit is on a circuit protected by a GFCI breaker, then 3-wire installation is not permitted. House wiring and dryer must be configured for 4-wire.

#### **WARNING** - Fire Hazard

Use a new UL-listed 240V 30 amp dryer power supply cord with closed ring terminals or spade terminals with upturned ends.  
Use a UL-listed strain relief.  
Disconnect power before making electrical connections.  
Connect neutral wire (white or center wire) to center terminal.  
Ground wire (green or bare wire) must be connected to green ground connector.  
Connect remaining two supply wires to remaining two terminals.  
Securely tighten all electrical connections.  
Replace the terminal block cover.  
Failure to do so can result in death, fire or electrical shock.

## GROUNDING INSTRUCTIONS

**For a grounded, cord-connected dryer:** This dryer must be grounded. In the event of a malfunction or breakdown, grounding will reduce the risk of electric shock by providing a path of least resistance for electric current. This dryer uses a cord having an equipment-grounding conductor and a grounding plug. The plug must be plugged into an appropriate outlet that is properly installed and grounded in accordance with all local codes and ordinances.

 **WARNING** Improper connection of the equipment-grounding conductor can result in a risk of electric shock. Check with a qualified electrician, or service representative or personnel, if you are in doubt as to whether the appliance is properly grounded. **DO NOT** modify the plug on the power supply cord. If it will not fit the outlet, have a proper outlet installed by a qualified electrician.

**SAVE THESE INSTRUCTIONS**

#### **WARNING** - Electrical Shock Hazard

**TO PREVENT ELECTRIC SHOCK, DISCONNECT POWER BEFORE SERVICING.**

This dryer should be connected to an individual branch circuit with 10 gauge copper wire minimum through a 30 amp fuse or circuit breaker. **DO NOT** fuse neutral.  
Use copper conductors only.

## ELECTRICAL CONNECTION INFORMATION FOR ELECTRIC DRYERS


### For direct wire connections:

#### **WARNING** - Fire Hazard

Use 10 gauge copper wire.  
Use a UL-listed strain relief.  
Disconnect power before making electrical connections.  
Connect neutral wire (white or center wire) to center terminal.  
Ground wire (green or bare wire) must be connected to green ground connector.  
Connect remaining two supply wires to remaining two terminals.  
Securely tighten all electrical connections.  
Replace the terminal block cover.  
Failure to do so can result in death, fire or electrical shock.

## GROUNDING INSTRUCTIONS

**For a permanently connected dryer:** This dryer must be connected to a grounded metal, permanent wiring system, or an equipment-grounding conductor must be run with the circuit conductors and connected to the equipment-grounding terminal on the appliance.

 **WARNING** Improper connection of the equipment-grounding conductor can result in a risk of electric shock. Check with a qualified electrician, or service representative or personnel, if you are in doubt as to whether the appliance is properly grounded.

**SAVE THESE INSTRUCTIONS**

#### **WARNING** - Electrical Shock Hazard

**TO PREVENT ELECTRIC SHOCK, DISCONNECT POWER BEFORE SERVICING.**

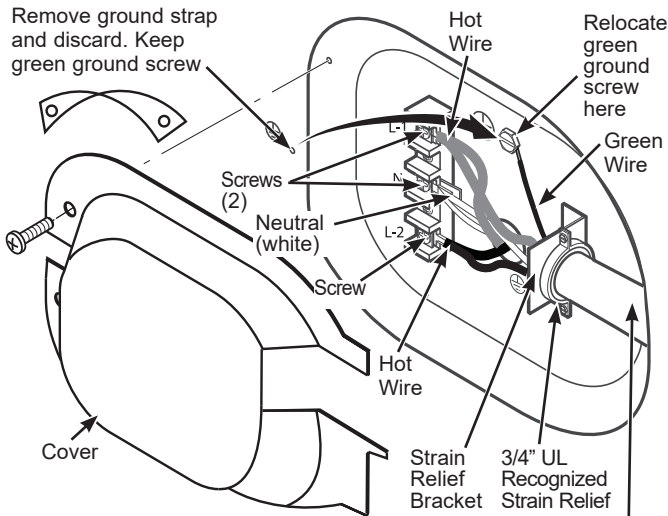
This dryer should be connected to an individual branch circuit with 10 gauge copper wire minimum through a 30 amp fuse or circuit breaker. **DO NOT** fuse neutral.  
Use copper conductors only.

# Installation Instructions

## CONNECTING AN ELECTRIC DRYER (cont.)

### CONNECTING DRYER USING 4-WIRE CONNECTION (MUST BE USED FOR MOBILE HOME INSTALLATION)

**NOTE:** Since January 1, 1996, the National Electrical Code requires that new constructions use a 4-wire connection to an electric dryer. A 4-wire cord must also be used where local codes do not permit grounding through the neutral. 3-wire connection is NOT for use on new construction.



4 #10 AWG minimum copper conductors or 120/240V 30A power supply cord kit marked for use with dryers and provided with closed loop or spade terminals with upturned ends (not supplied).

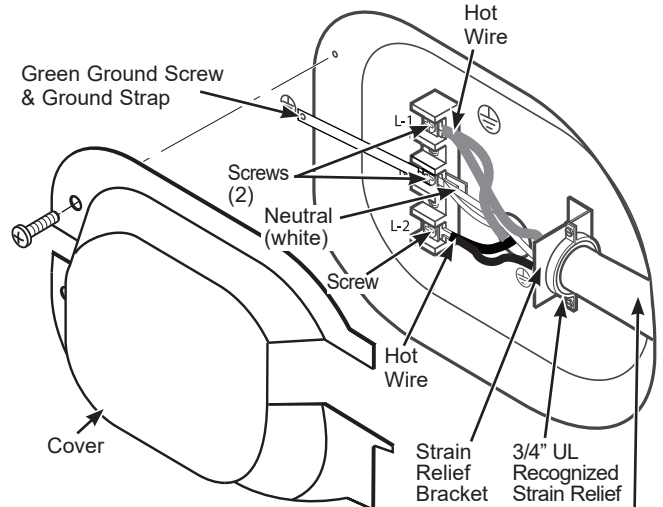
1. Turn off the circuit breaker(s) (30 amp) or remove the dryer's circuit fuse at the electrical box.
2. Be sure the dryer cord is unplugged from the wall receptacle.
3. Remove the power cord cover located at the lower back.
4. Remove and discard ground strap. Keep the green ground screw for Step 7.
5. Install 3/4" UL-recognized strain relief to power cord entry hole. Bring power cord through strain relief.
6. Connect power cord as follows:
  - A. Connect the 2 hot lines to the outer screws of the terminal block (marked L1 and L2).
  - B. Connect the neutral (white) line to the center of the terminal block (marked N).
7. Attach ground wire of power cord with the green ground screw (hole above strain relief bracket). Tighten all terminal block screws (3) securely.
8. Properly secure power cord to strain relief.
9. Reinstall the cover.

**NEVER LEAVE THE COVER OFF OF THE TERMINAL BLOCK.**

### CONNECTING DRYER USING 3-WIRE CONNECTION

**NOTE:** If your dryer circuit is on a circuit protected by a GFCI breaker, then 3-wire installation is not permitted. House wiring and dryer must be configured for 4-wire.

If required, by local code, install external ground (not provided) to grounded metal, cold water pipe, or other established ground determined by a qualified electrician.



3 #10 AWG minimum copper conductors or 120/240V 30A power supply cord kit marked for use with dryers and provided with closed loop or spade terminals with upturned ends (not supplied).

#### 3-wire Connection

Not for use in Canada.

DO NOT use for Mobile Home Installations.

NOT for use on new construction.

NOT for use on recreational vehicles.

NOT for use in areas where local codes prohibit grounding through the neutral conduction.

1. Turn off the circuit breaker(s) (30 amp) or remove the dryer's circuit fuse at the electrical box.
2. Be sure the dryer cord is unplugged from the wall receptacle.
3. Remove the power cord cover located at lower back.
4. Install 3/4" UL-recognized strain relief to power cord entry hole. Bring power cord through strain relief.
5. Connect power cord as follows:
  - A. Connect the 2 hot lines to the outer screws of the terminal block (marked L1 and L2).
  - B. Connect the neutral (white) line to the center of the terminal block (marked N).
6. Be sure ground strap is connected to neutral (center) terminal of block and to green ground screw on cabinet rear. Tighten all terminal block screws (3) securely.
7. Properly secure power cord to strain relief.
8. Reinstall the cover.

**NEVER LEAVE THE COVER OFF OF THE TERMINAL BLOCK.**

# Installation Instructions

## EXHAUSTING THE DRYER

### **⚠ WARNING** - Fire Hazard

This dryer **MUST** be vented to the outdoors. Use only 4" (10.2 cm) rigid metal ducting for the home exhaust duct.

Use only 4" (10.2 cm) rigid metal, UL-listed flexible metal, or UL-listed metal foil dryer transition duct to connect the dryer to the home exhaust.

**DO NOT** use any plastic to vent the dryer, this includes the home exhaust duct, dryer transition duct, or within the dryer.

**DO NOT** use flexible metal or metal foil ducting for a home exhaust duct or within the dryer.

**DO NOT** exhaust into a chimney, kitchen exhaust, gas vent, wall, ceiling, attic, crawl space, or concealed space of a building.

**DO NOT** install a screen in or over the exhaust duct.

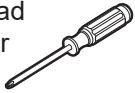
**DO NOT** install a booster fan in the exhaust duct.

**DO NOT** use duct longer than specified in the exhaust length table.

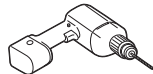
Failure to follow these instructions can result in death or fire.

### TOOLS AND MATERIALS YOU WILL NEED TO INSTALL EXHAUST DUCT

Phillips-head screwdriver



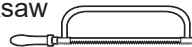
Drill with 1/8" drill bit (for bottom venting)



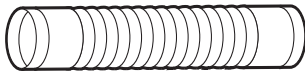
Duct tape or duct clamp



Hacksaw



Rigid or UL-listed flexible metal 4" (10.2 cm) duct



Vent hood



### PARTS AVAILABLE FROM [GEAPPLIANCEPARTS.COM](http://GEAPPLIANCEPARTS.COM) OR LOCAL SERVICE ORGANIZATIONS

**PM8X85** Outdoor exhaust hood

**PM08X10085** 8' Flexible metal clothes dryer transition duct with 2 clamps

**WX08X10130** 4" Dryer exhaust clamp

**WE49X22606** Rear exhaust opening cover, for side or bottom vented dryers

### CONNECTING THE DRYER TO HOUSE VENT

#### RIGID METAL TRANSITION DUCT

- For best drying performance, a rigid metal transition duct is recommended.
- Rigid metal transition ducts reduce the risk of crushing and kinking.

#### UL-LISTED FLEXIBLE METAL CLOTHES DRYER TRANSITION DUCT

- If rigid metal cannot be used, then UL-listed flexible metal clothes dryer transition duct (GE Appliances part – PM08X10085) can be used.
- Never install transition duct in walls, ceilings, floors or other enclosed spaces.
- Total length of transition duct should not exceed 8' (2.4 m).
- For many applications, installing elbows at both the dryer and the wall is highly recommended (see illustrations in next section). Elbows allow the dryer to sit close to the wall without kinking and/or crushing the transition duct, maximizing drying performance.
- Avoid resting the duct on sharp objects.

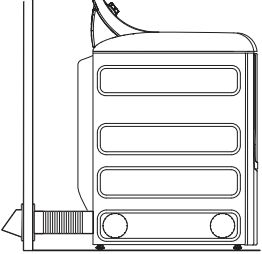
#### UL-LISTED FLEXIBLE METAL (FOIL-TYPE) TRANSITION DUCT

- In special installations, it may be necessary to connect the dryer to the home exhaust vent using flexible metal (foil-type) transition duct. UL-LISTED universal flexible dryer transition duct (GE Appliances parts – PM8X73 or WX8X73) may be used **ONLY** in installations where rigid metal or flexible metal transition ducting cannot be used **AND** where a 4" (10.2 cm) diameter can be maintained throughout the entire length of the transition duct.
- In Canada and the United States, only transition ducts that comply with "**UL 2158A STANDARD FOR CLOTHES DRYER TRANSITION DUCT**" shall be used.

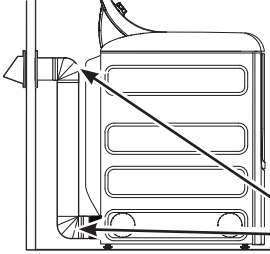
- Avoid resting the duct on sharp objects.
- For best drying performance:
  1. Slide one end of the duct over the clothes dryer outlet pipe.
  2. Secure the duct with a clamp.
  3. With the dryer in its permanent position, extend the duct to its full length. Allow 2" (5.08 cm) of duct to overlap the exhaust pipe. Cut off and remove excess duct. Keep the duct as straight as possible for maximum airflow.
  4. Secure the duct to the exhaust pipe with the other clamp.

# Installation Instructions

## EXHAUSTING THE DRYER (cont.)




- **DO** cut duct as short as possible and install straight into wall.

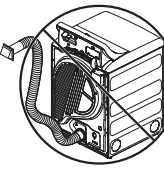


- **DO** use elbows when turns are necessary.

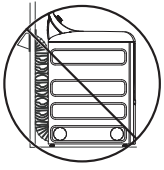
Elbows



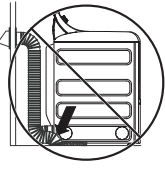
- **DO NOT** bend or collapse ducting. Use elbows if turns are necessary.



- **DO NOT** use excessive exhaust length. Cut duct as short as possible.



- **DO NOT** crush duct against the wall.



- **DO NOT** set dryer on duct.

### EXHAUST LENGTH

Using exhaust longer than specified length will:

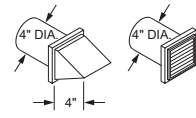
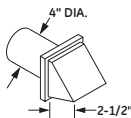
- Increase the drying times and the energy cost.
- Reduce the dryer life.
- Accumulate lint, creating a potential fire hazard.

**The correct exhaust installation is YOUR RESPONSIBILITY.**

**Problems due to incorrect installation are not covered by the warranty.**

The **MAXIMUM ALLOWABLE** length of the exhaust system depends upon the type of duct, number of turns, the type of exhaust hood (wall cap) and all conditions noted on the chart.

- Internal elbows added for side or bottom vent conversions must be included in the total elbow count.
- Any elbow greater than 45° should be treated as a 90° elbow; one elbow of 45° or less may be ignored.
- Two 45° elbows will be treated like one 90° elbow.
- For the side exhaust installations, add one 90° elbow to the chart.
- For every additional 90° elbow, reduce the allowable vent system length by 10 feet (3 m).
- When calculating the total vent system length, you must add all the straight portions and elbows of the system (including the transition duct).

RECOMMENDED MAXIMUM LENGTH		
Exhaust Hood Types		
	Recommended	Use only for short run installations
		

No. of 90° Elbows	Rigid Metal	Rigid Metal
0	120 Feet (36.6 m)	90 Feet (27.4 m)
1	100 Feet (30.5 m)	75 Feet (22.9 m)
2	85 Feet (25.9 m)	65 Feet (19.8 m)
3	70 Feet (21.3 m)	55 Feet (16.8 m)
4	60 Feet (18.3 m)	45 Feet (13.7 m)
5	55 Feet (16.8 m)	35 Feet (10.7 m)

# Installation Instructions

## EXHAUSTING THE DRYER (cont.)

### EXHAUST SYSTEM CHECKLIST

#### HOOD OR WALL CAP

- Terminate in a manner to prevent back drafts or entry of birds or other wildlife.
- Termination should present minimal resistance to the exhaust airflow and should require little or no maintenance to prevent clogging.
- Wall caps must be installed at least 12" (30.5 cm) above ground level or any other obstruction with the opening pointed down.

#### SEPARATION OF TURNS

- For best performance, separate all turns by at least 4 ft. (1.2 m) of straight duct, including distance between last turn and dampened exhaust hood (wall cap).

#### SEALING OF JOINTS

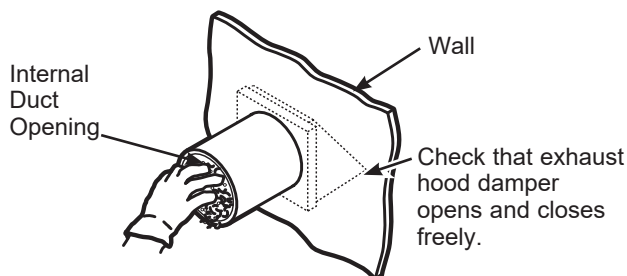
- All joints should be tight to avoid leaks. The male end of each section of duct must point away from the dryer.
- Duct joints should be made air- and moisture-tight by wrapping the overlapped joints with duct tape or aluminum tape.
- Do not assemble ductwork with any fasteners that extend into the duct. These fasteners can accumulate lint, creating a potential fire hazard.
- Horizontal runs should slope down towards the outdoors 1/4" (6.4 mm) per foot.
- Provide an access for inspection and cleaning of the exhaust system, especially at turns and joints. Exhaust system shall be inspected and cleaned at least once a year.

#### INSULATION

- Ductwork that runs through an unheated area or is near air conditioning should be insulated to reduce condensation and lint build-up.

### BEFORE YOU BEGIN

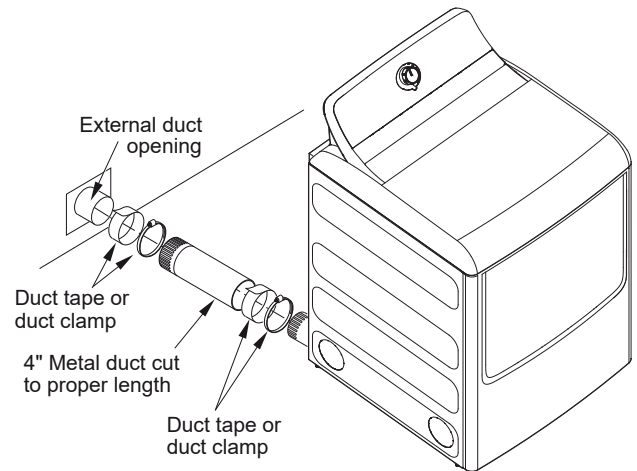
- Remove and discard existing plastic or metal foil duct and replace with UL-listed duct.
- Remove any lint from the wall exhaust opening.



### STANDARD REAR EXHAUST

We recommend that you install your dryer before installing your washer. This will permit direct access for easier exhaust connection.

Slide the end of the exhaust duct on the back of the dryer and secure with duct tape or a hose clamp.

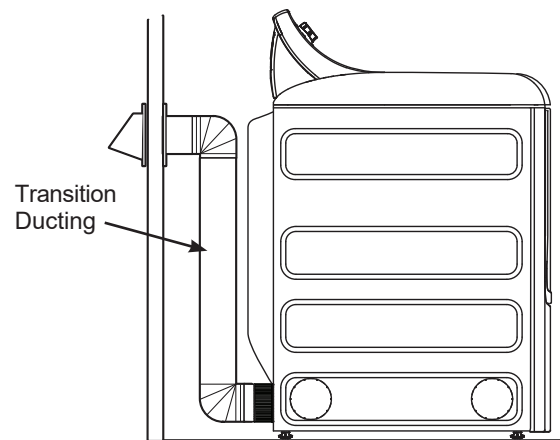


**NOTE:** We strongly recommend using rigid metal exhaust duct. However, if flexible ducting is used it must be UL-Listed metal, not plastic.

- For straight line installation, connect the dryer exhaust to the external exhaust hood using duct tape or clamp.

### RECOMMENDED CONFIGURATION TO MINIMIZE EXHAUST BLOCKAGE

Using duct elbows will prevent duct kinking and collapsing.



# Installation Instructions

## EXHAUSTING THE DRYER (cont.)

### SIDE OR BOTTOM VENTING

#### **⚠ WARNING** - Fire Hazard

Disconnect dryer from electrical supply.

Wear gloves and arm guards.

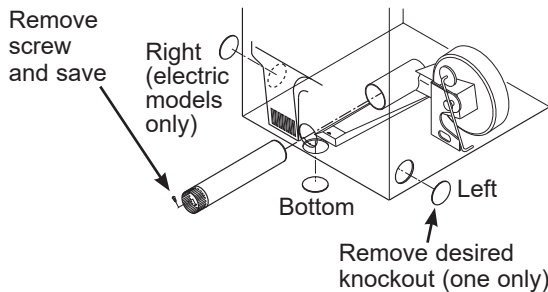
Close the back opening with cover plate (Kit WE49X22606).

Failure to do so may result in fire, electrical shock or lacerations.

**Dryer Exhaust to right of the cabinet for Electric models only.**

**Dryer Exhaust to left of the cabinet for Gas and Electric models.**

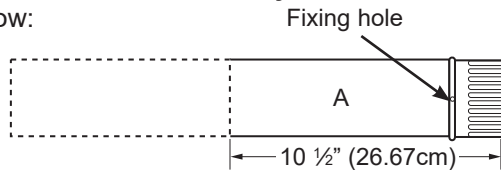
**Dryer Exhaust to the bottom of cabinet for Gas and Electric models.**



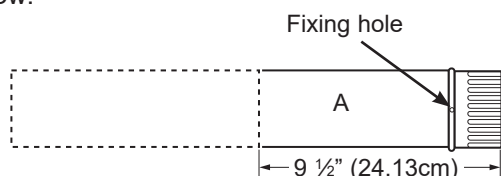
Detach and remove the right (electric models only), left or bottom knockout as desired. Remove the screw inside the dryer exhaust duct and save. Pull the duct out of the dryer.

Cut the duct as shown and keep portion A.

**For 7.4 cu. ft. models only**, use the dimension below:

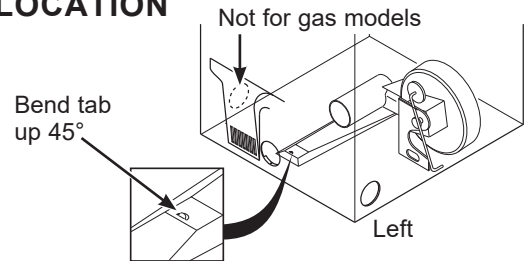


**For 6.2 and 7.2 cu. ft. models only**, use the dimension below:



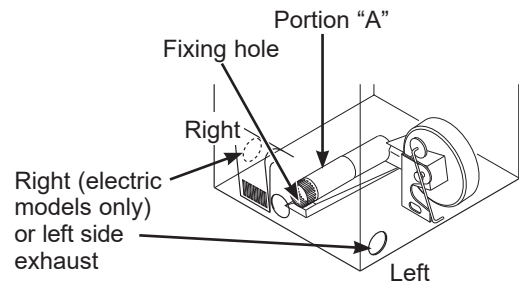
### SIDE OR BOTTOM VENTING (cont.)

#### TAB LOCATION



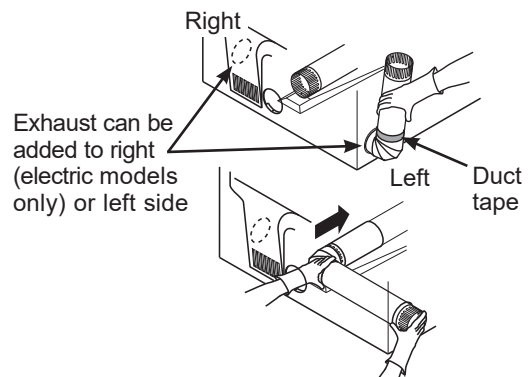
Through the rear opening, locate the tab in the middle of the appliance base. Lift the tab to about 45°, using a flat-blade screwdriver.

#### ADDING A NEW DUCT



Reconnect the cut portion (A) of the duct to the blower housing. Make sure that the shortened duct is aligned with the tab in the base. Use the screw saved previously to secure the duct in place through the tab on the appliance base.

#### ADDING ELBOW AND DUCT FOR EXHAUST TO RIGHT (ELECTRIC MODELS ONLY) OR LEFT SIDE OF CABINET



- Preassemble 4" elbow with 4" duct. Wrap duct tape around joint.
- Insert duct assembly, elbow first, through the side opening and connect the elbow to the dryer internal duct.

**Be sure not to pull or damage the electrical wires inside the dryer when inserting the duct.**

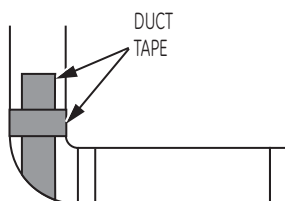
# Installation Instructions

## EXHAUSTING DRYER (cont.) FINAL SETUP

### SIDE OR BOTTOM VENTING (cont.)

#### ADDING ELBOW AND DUCT FOR EXHAUST TO LEFT OR RIGHT SIDE OF CABINET (cont.)

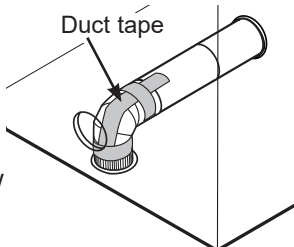
- Apply duct tape as shown on the joint between the dryer internal duct and the elbow, and also the joint between the elbow and the side duct.



Use 4" rigid metal ducting only inside the dryer. Internal duct joints must be secured with tape, otherwise they may separate and cause a safety hazard.

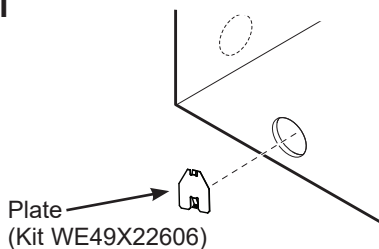
#### ADDING ELBOW FOR EXHAUST THROUGH BOTTOM OF CABINET

- Insert the elbow through the rear opening and connect it to the dryer internal duct.
- Apply duct tape as shown on the joint between the dryer internal duct and the elbow, and also the joint between the elbow and the bottom duct.



Internal duct joints must be secured with tape; otherwise, they may separate and cause a safety hazard.

#### ADDING COVER PLATE TO REAR OF CABINET

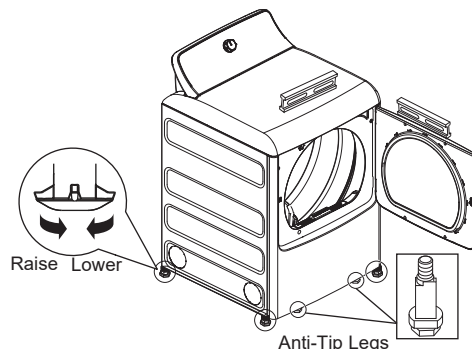


Connect standard metal elbows and ducts to complete the exhaust system. Cover back opening with the plate (Kit WE49X22606) which can be purchased from [GEApplianceparts.com](http://GEApplianceparts.com) or a local service provider. Place dryer in final location.

**NEVER LEAVE THE BACK OPENING WITHOUT THE PLATE. (Kit WE49X22606)**

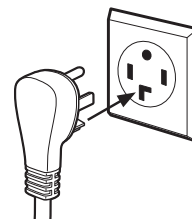
### 1 LEVEL THE DRYER

Stand the dryer upright near the final location and adjust the leveling legs at the corners to ensure the dryer is level side-to-side and front-to-back. Then, adjust the two anti-tip legs at the front inner corners, taking care that they are touching the floor to avoid unit tip over. The installation is not complete until this process is finished.



### 2 PLUG DRYER IN

Ensure proper ground exists before use.



### 3 DRYER START-UP

Press the **Power** button.



**NOTE:** If the dryer has been exposed to temperatures below freezing for an extended period of time, allow it to warm up before pressing **Power**. Otherwise, the display will not come on. The dryer is now ready for use. (appearance will vary)

#### **⚠ WARNING** - Electrical Shock Hazard

Disconnect power supply before servicing. Replace all parts and panels before operating. Failure to do so can result in death or electrical shock.

#### **⚠ WARNING** - Shock Hazard

Certain internal parts are intentionally not grounded and may present a risk of electric shock only during servicing.

**Service personnel – DO NOT** contact the following parts while the appliance is energized: drum light, door switch, main electronic board, igniter, thermostats, flame detector or mica heater.



# Installation Instructions

## REVERSING THE DOOR (OPTIONAL)

### ABOUT REVERSING THE DOOR

#### IMPORTANT NOTES:

- Read the instructions all the way through before starting.
- Handle parts carefully to avoid scratching paint.
- Set screws down by their related parts to avoid using them in the wrong places.
- Provide a non-scratch work surface for the door.
- Normal completion time to reverse the door swing is 30–60 minutes.

#### IMPORTANT:

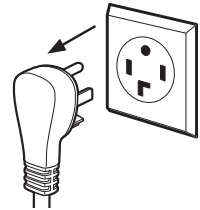
Once you begin, do not move the cabinet until door swing reversal is completed. These instructions are for changing the hinges from the right side to the left side - if you ever want to switch them back to the right side, follow these same instructions and reverse all references to the left and right.

#### Tools needed:

- Quadrex #1 bit screwdriver otherwise standard #2 Phillips screwdriver
- Tape-tipped putty knife
- Small flat blade screwdriver

#### Before you start

Unplug the dryer from its electrical outlet.



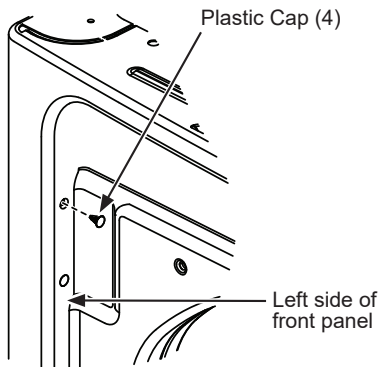
# Installation Instructions

## REVERSING THE DOOR (OPTIONAL)

Choose the **REVERSING THE DOOR** instructions **A** or **B** for your model.

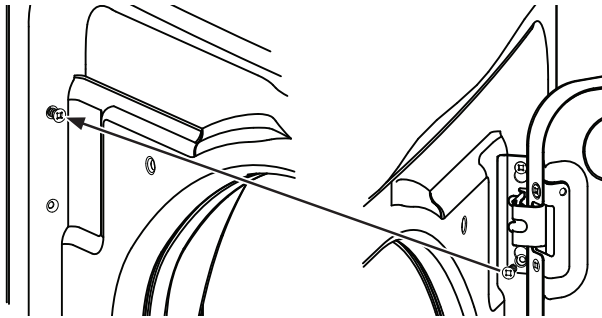
### **A** MODELS WITHOUT FABRIC REFRESH FEATURE

- 1 Open the door approximately 130°. With a putty knife, remove the 4 plastic caps located along the left side of the front panel and set them aside.

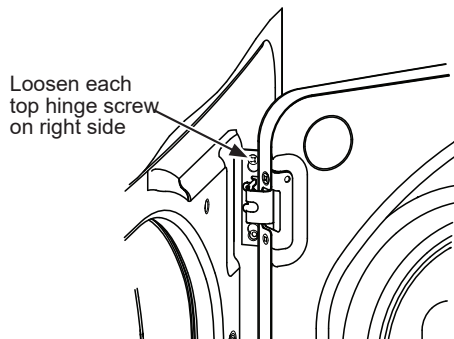


- 2 Remove the bottom screw from each hinge (right side) and partially insert them into each top hinge hole on the left side.

**NOTE:** All 4 front panel hinge screws will now be in the top hinge holes - 2 on the left and 2 on the right.

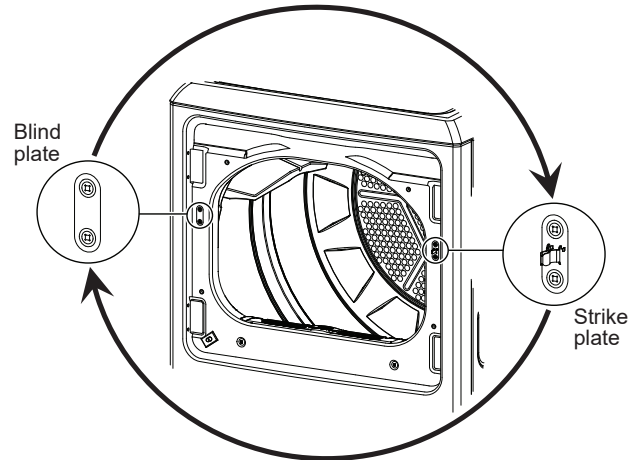


- 3 Loosen each top hinge screw on right side. Remove the door and place it on a protective flat surface to avoid any damage.

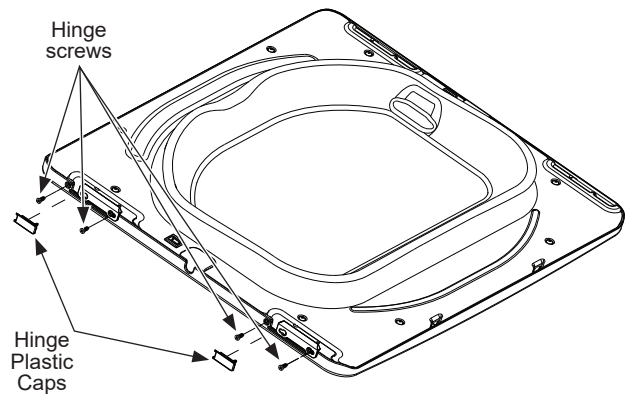


### **A** MODELS WITHOUT FABRIC REFRESH FEATURE (cont.)

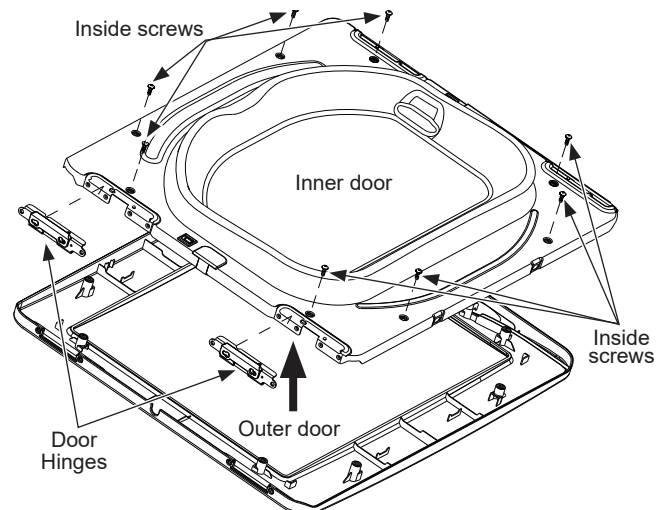
- 4 Remove both the blind plate and the strike plate and install them in the opposite positions.



- 5 Remove the 2 hinge plastic caps and 4 hinge screws.



- 6 Remove the 8 inside screws. Lift the inner door upwards using a flat blade screwdriver. Remove the 2 door hinges.

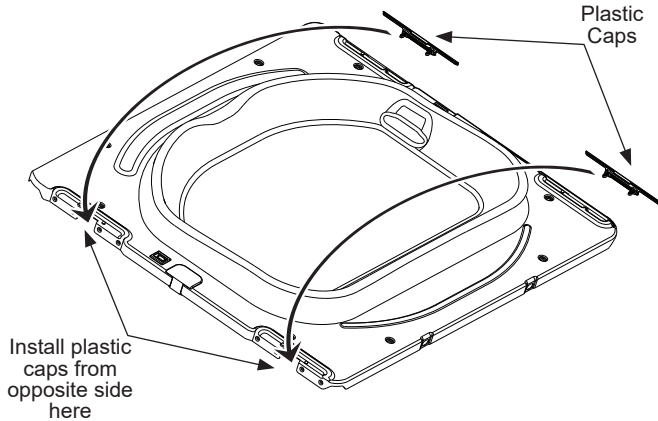


# Installation Instructions

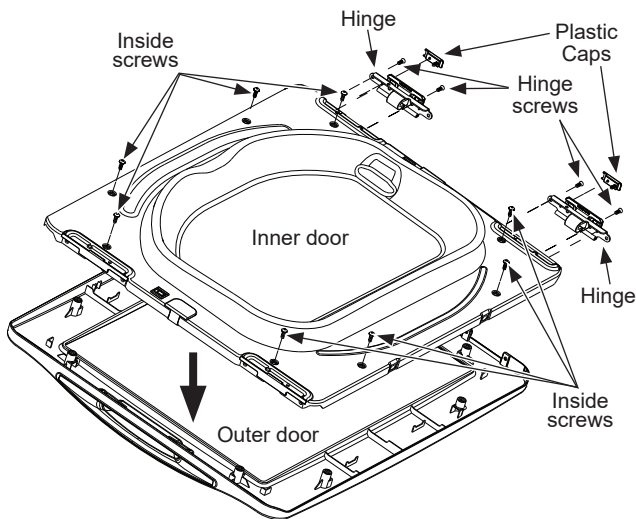
## REVERSING THE DOOR (OPTIONAL) (cont.)

### A MODELS WITHOUT FABRIC REFRESH FEATURE (cont.)

- 7 Remove and swap the two plastic caps onto the opposite side.

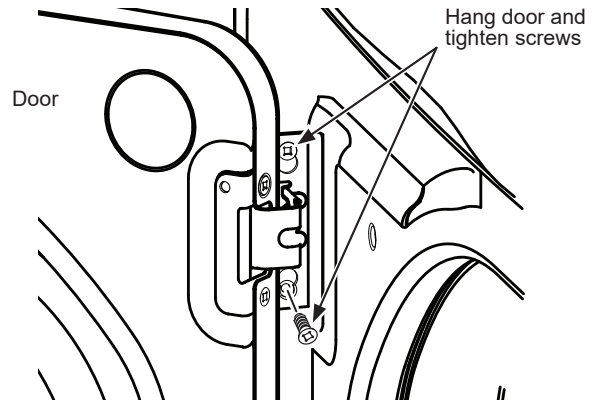


- 8 Rotate the outer door 180°. Place hinges into position, making sure you mount the hinges on the side opposite the pocket. Mount the inner door back into the outer door frame and secure with screws removed in step 6. Screw the door hinges in and insert the hinge caps.

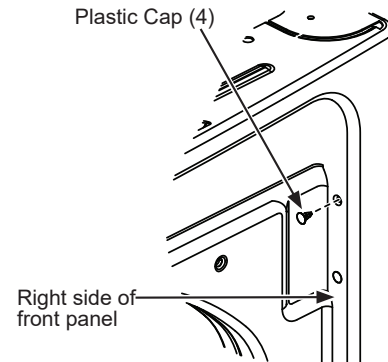


### A MODELS WITHOUT FABRIC REFRESH FEATURE (cont.)

- 9 Mount the assembled door on the 2 upper left side hinge screws installed in step 2. Move the hinge screws loosened in step 2 into the lower left side screw holes and firmly tighten all 4 screws.



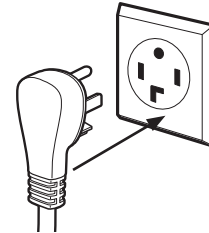
- 10 Install the 4 plastic caps removed in step 1 into the 4 right side front panel holes.



**NOTE:** To return the door to the original setup, follow these instructions, swapping "left" and "right".

### When you finish

Plug the dryer back into its electrical outlet.

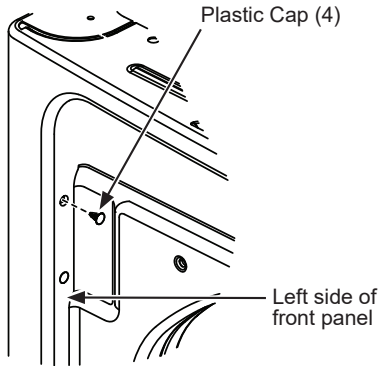


# Installation Instructions

## REVERSING THE DOOR (OPTIONAL)

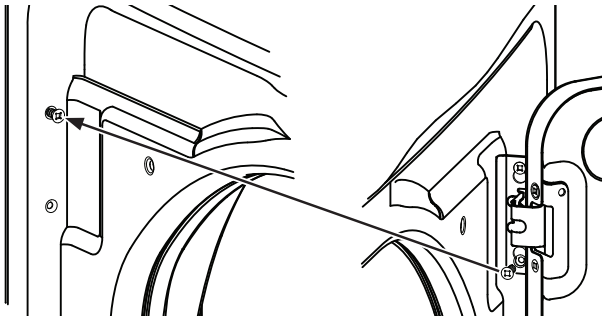
### B MODELS WITH FABRIC REFRESH FEATURE

- 1 Open the door approximately 130°. With a putty knife, remove the 4 plastic caps located along the left side of the front panel and set them aside.

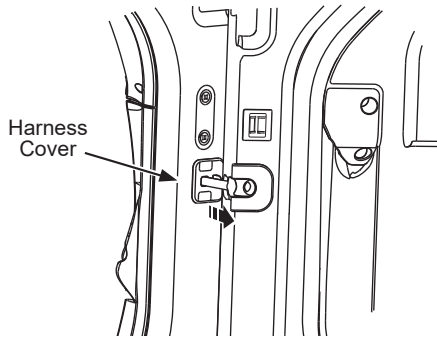


- 2 Remove the bottom screw from each hinge (right side) and partially insert them into each top hinge hole on the left side.

**NOTE:** All 4 front panel hinge screws will now be in the top hinge holes - 2 on the left and 2 on the right.

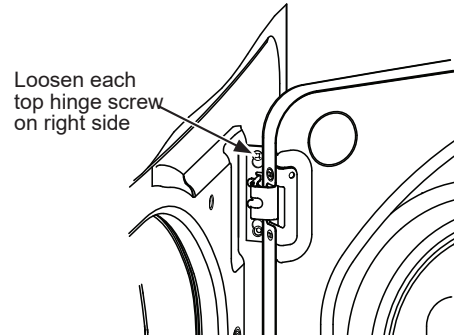


- 3 Use a small flat blade screwdriver to remove the harness cover from the front panel.

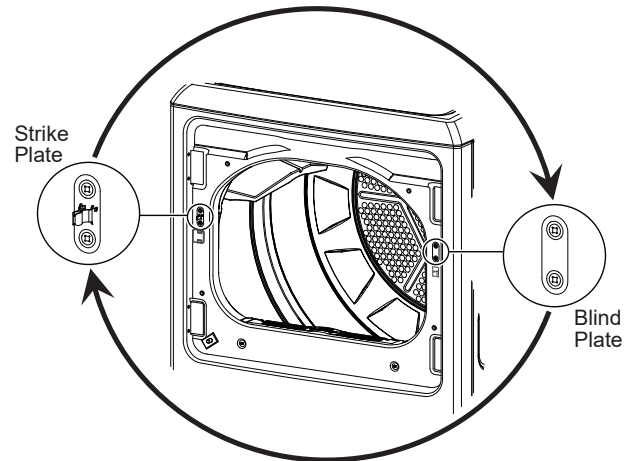


### B MODELS WITH FABRIC REFRESH FEATURE (cont.)

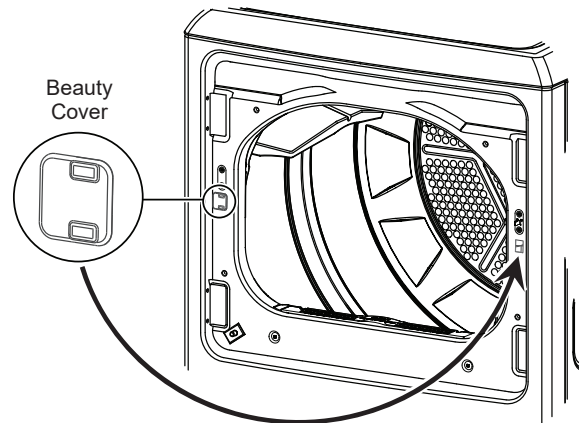
- 4 Loosen each top hinge screw on right side. Remove the door and place it on a protective flat surface to avoid any damage.



- 5 Remove both the blind plate and the strike plate and install them in the opposite positions.



- 6 Remove the plastic beauty cover and install it onto the other side of the front panel.

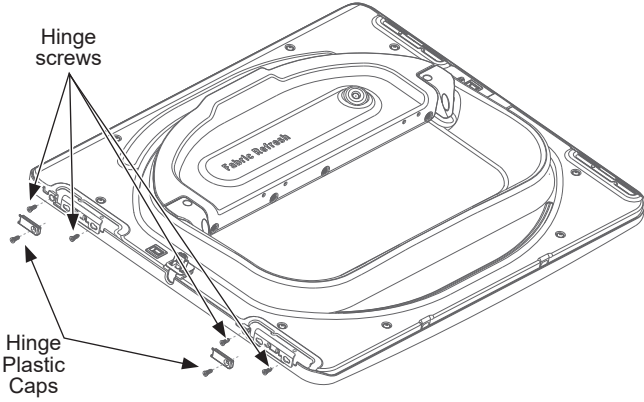


# Installation Instructions

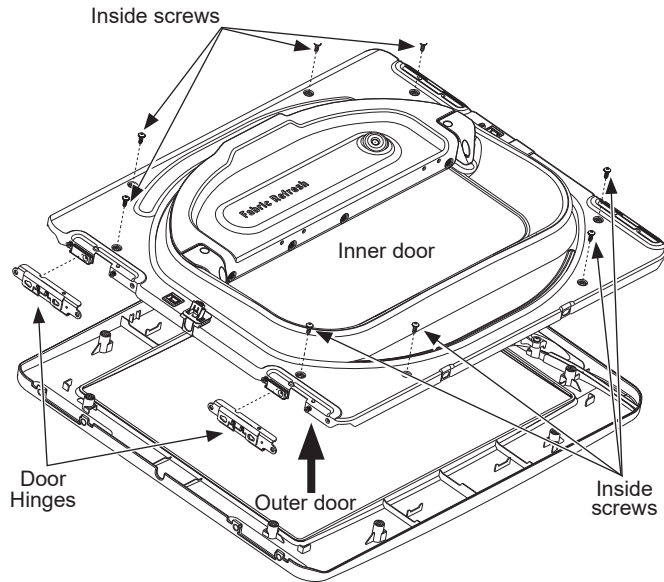
## REVERSING THE DOOR (OPTIONAL) (cont.)

### B MODELS WITH FABRIC REFRESH FEATURE (cont.)

- 7 Remove the 2 hinge plastic caps and 4 hinge screws.



- 8 Remove the 8 inside screws. Lift the inner door upwards using a flat blade screwdriver. Remove the 2 door hinges.

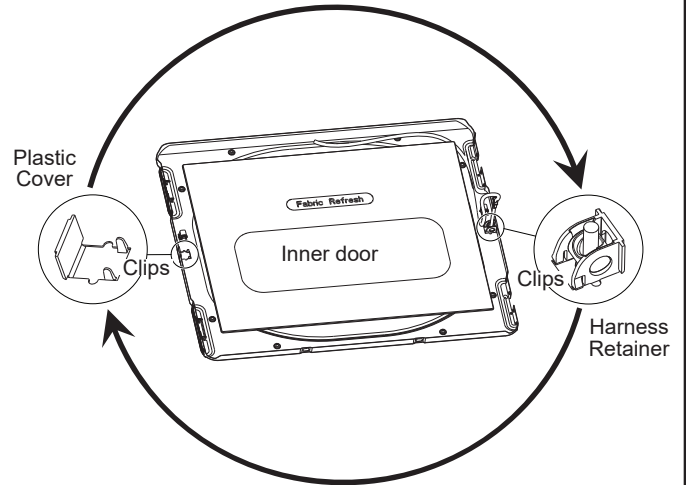


### B MODELS WITH FABRIC REFRESH FEATURE (cont.)

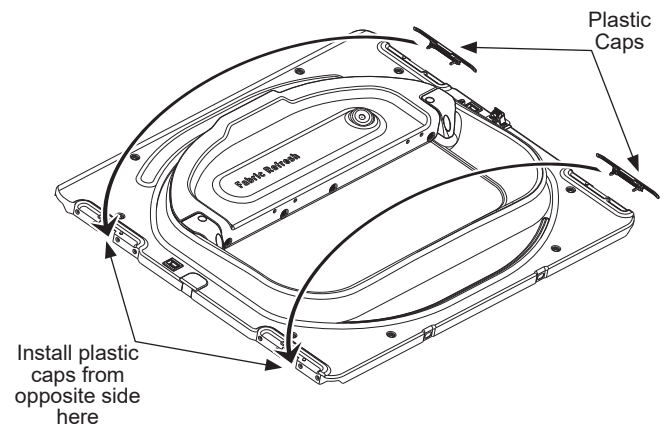
- 9 Rotate the Inner door 180°.

Detach the harness retainer, by squeezing its clips and pulling it out. Rotate it and swap it onto the opposite side. **IMPORTANT:** Route its harness behind the glass.

Remove the plastic cover, by squeezing its clips and pulling it out. Rotate it and swap it onto the opposite side.



- 10 Remove and swap the two plastic caps onto the opposite side.

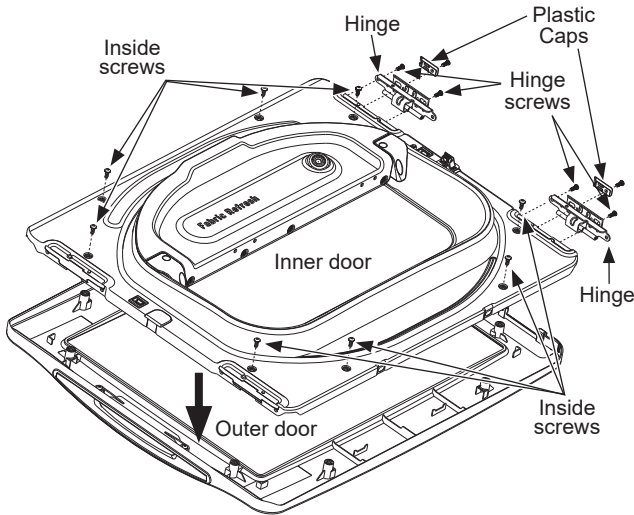


# Installation Instructions

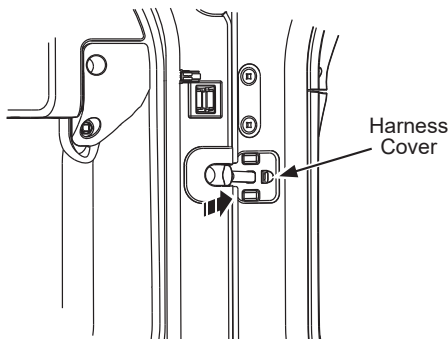
## REVERSING THE DOOR (OPTIONAL)

### B MODELS WITH FABRIC REFRESH FEATURE (cont.)

- 11 Rotate the outer door 180°. Place hinges into position, making sure you mount the hinges on the side opposite the pocket. Mount the inner door back into the outer door frame and secure with screws removed in step 8. Screw the door hinges in and insert the hinge caps.

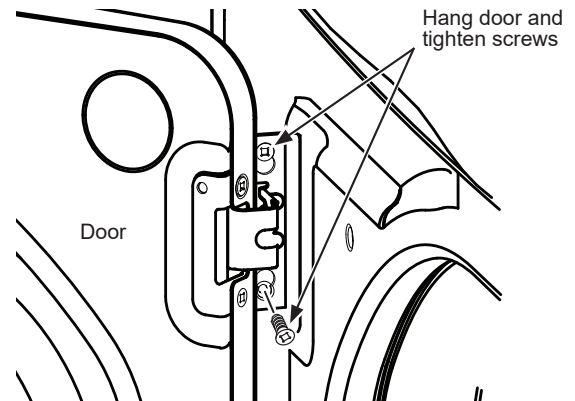


- 12 Install the harness cover onto the front panel.

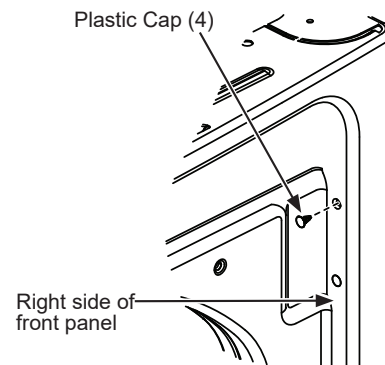


### B MODELS WITH FABRIC REFRESH FEATURE (cont.)

- 13 Mount the assembled door on the 2 upper left side hinge screws installed in step 2. Move the hinge screws loosened in step 2 into the lower left side screw holes and firmly tighten all 4 screws.



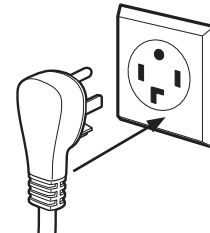
- 14 Install the 4 plastic caps removed in step 1 into the 4 right side front panel holes.



**NOTE:** To return the door to the original setup, follow these instructions, swapping "left" and "right".

### When you finish

Plug the dryer back into its electrical outlet.



# Instructions d'installation

# Sécheuse

Des questions? Appelez le 800.561.3344 ou Visitez notre site Web à l'adresse : [www.electromenagersge.ca](http://www.electromenagersge.ca)

## AVANT DE COMMENCER

Lisez attentivement ces instructions dans leur intégralité.

- **IMPORTANT** – Gardez ces instructions pour l'usage de l'inspecteur électrique local.
- **IMPORTANT** – Observez toutes les réglementations et ordonnances en vigueur.
- Installez la sécheuse conformément aux instructions du fabricant et aux réglementations locales.
- **Remarque pour l'installateur** – Assurez-vous de laisser ces instructions au client.
- **Remarque pour le consommateur** - Gardez ces instructions à titre de référence ultérieure.
- L'installation de la sécheuse doit être effectuée par un installateur qualifié.
- Cette sécheuse doit être mise à l'évent à l'extérieur.
- Retirez la porte de la vieille sécheuse avant de la mettre au rebut ou hors service.
- Les renseignements d'entretien et le schéma de câblage se trouvent dans la console de commande.
- Ne laissez pas les enfants monter sur l'appareil ou entrer dans celui-ci. Une surveillance étroite des enfants doit être exercée lorsque l'appareil est utilisé à leur proximité.
- La responsabilité d'installer correctement l'appareil relève de l'installateur.
- Toute défaillance de l'appareil suite à une installation incorrecte n'est pas couverte par la garantie.
- Installez la sécheuse là où la température est supérieure à 10 C (50 F) pour assurer le bon fonctionnement du système de commande de la sécheuse.
- Retirez et jetez les conduits en feuille métallique ou en plastique existants et remplacez-les par un conduit homologué UL.

## ! AVERTISSEMENT

- **Risque d'incendie**
- L'installation de la sécheuse doit être effectuée par un installateur qualifié.
- Installez la sécheuse conformément aux instructions du fabricant et aux réglementations locales.
- N'installez **PAS** de sécheuse avec des conduits en plastique flexible. Si un conduit métallique flexible (semi-rigide ou du type feuille métallique) est installé, il doit être homologué UL et installé conformément aux instructions figurant dans « Connecter la sécheuse à l'évent de la maison » de ce manuel. Les conduits flexibles ont tendance à s'affaisser, à être facilement écrasés et à piéger la charpie. Ces conditions bouchent le débit d'air de la sécheuse et augmentent le risque d'incendie.
- N'installez et ne remisez **PAS** cet appareil dans un lieu où il peut être exposé à l'eau ou intempéries.
- Pour réduire le risque de blessure grave, voire de mort, suivez toutes les instructions d'installation.
- Gardez ces instructions. (Installateurs : Assurez-vous de laisser ces instructions au client.)

## SÉCHEUSES À GAZ SEULEMENT

**Dans Le Commonwealth Du Massachusetts, les instructions d'installation suivantes sont applicables :**

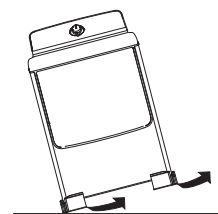
- Ce produit doit être installé par un plombier ou un monteur d'installations au gaz licencié.
- Si vous utilisez des robinets d'arrêt du gaz à bille, ils doivent avoir une poignée en T.
- Si vous utilisez un raccord de gaz flexible, il ne doit pas dépasser 1.22 m (4 pieds).

# Instructions d'installation

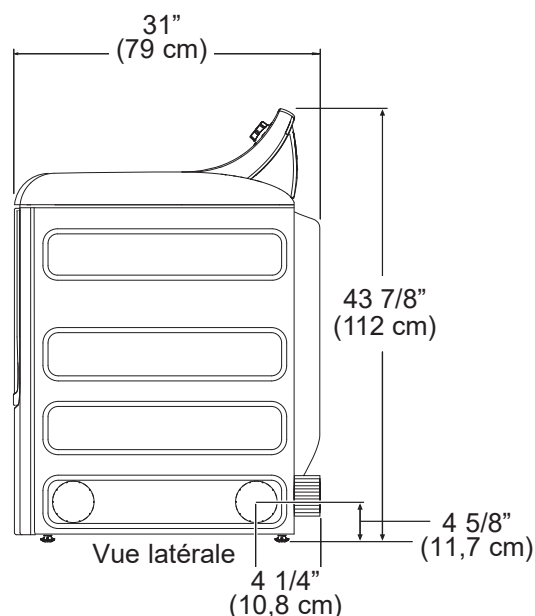
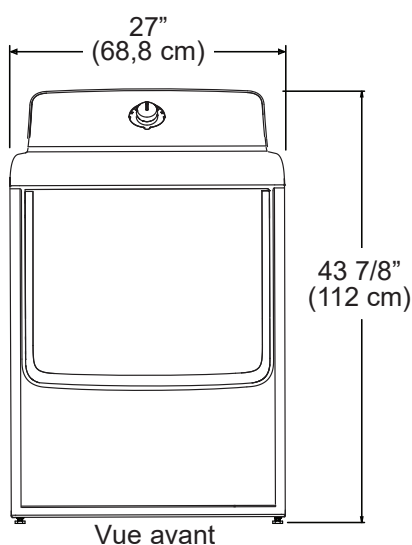
## DÉBALLAGE DE VOTRE SÈCHEUSE

Inclinez la sècheuse latéralement et enlevez les coussinets d'expédition en mousse en les poussant sur les côtés et en les détachant des pattes de la sècheuse.

Assurez-vous d'enlever toutes les pièces en mousse autour des pattes.



## DIMENSIONS DE LA SÈCHEUSE



## ACCESSOIRES :

Commandez en ligne sur [www.electromenagersge.ca](http://www.electromenagersge.ca) 24 heures sur 24 ou en téléphonant au **800 561-3344** durant les heures normales d'affaire.

No. de pièce	Accessoire
PM14X10056	Brosse d'évent d'ouverture de porte de sècheuse
WX14X10007	Brosse à tube rotative pour sècheuse LintEater™
PM08X10085	Conduit flexible de transition de métal pour sècheuses

## FLEXIBLES D'EAU OU DE VAPEUR (pour modèles de sècheuse avec vapeur seulement) :

GE Appliances recommande vivement l'utilisation de pièces spécifiées par le fabricant. Ces flexibles sont fabriqués et essayés de façon à satisfaire aux spécifications de GE Appliances.

GE Appliances recommande vivement l'utilisation de flexibles d'alimentation d'eau neufs. Les flexibles se détériorent avec le temps et ils doivent être remplacés tous les 5 ans afin de réduire le risque de défaillance ou de dégât d'eau.

### Pièces et accessoires

Commandez en ligne sur [www.electromenagersge.ca](http://www.electromenagersge.ca) 24 heures sur 24 ou en téléphonant au **800 561-3344** durant les heures normales d'affaire.

No. de pièce	Accessoire
WE25X20060	Ensemble complet (flexibles, rondelles, d'adaptateur en Y) <b>ou</b>
WE49X25794	Ensemble (Flexible court, rondelles, d'adaptateur en Y) <b>et</b>
WE1M847	Flexible long
<b>OR SEPARATELY</b>	
WE1M847	Flexible long <b>et</b>
WE1M848	Flexible court



# Instructions d'installation

## EXIGENCES RELATIVES À UNE INSTALLATION ENCASTRÉE

### **⚠ AVERTISSEMENT** - Risque d'explosion

Gardez les matières et les vapeurs inflammables telles que l'essence à distance de la sècheuse.

Placez la sècheuse à au moins 46 cm (18 po) au-dessus du sol dans le cas d'une installation dans un garage.

L'omission de prendre ces précautions peut provoquer la mort, l'explosion ou l'incendie.

- L'air de la sècheuse DOIT être évacué vers l'extérieur.
- L'espace minimum entre la sècheuse et les murs adjacents ou d'autres surfaces est le suivant:
  - 0 cm (0 po) des deux côtés\*
  - 2,54 cm (1 po) avant
  - 2,54 cm (1 po) arrière
  - 2,54 cm (1 po) haut
- \*Pour améliorer la performance, un dégagement de 12,7 mm (1/2 po) est suggéré de chaque côté.
- L'arrière de la sècheuse doit faire face à un mur.
- Il faut veiller à procurer le dégagement nécessaire à l'installation et aux interventions de service.
- Les portes du placard doivent être perforées ou bien ventilées et disposer d'au moins 387 cm<sup>2</sup> (60 pouces carrés) d'espace. Si le placard abrite une laveuse et une sècheuse, les portes doivent disposer de 774 cm<sup>2</sup> (120 pouces carrés) au minimum d'espace ouvert.

**REMARQUE:** SI LE TUYAU D'ÉVACUATION EST SITUÉ À L'ARRIÈRE DE LA SÈCHEUSE, LA CONFIGURATION DU TUYAU POURRAIT DEMANDER UN DÉGAGEMENT EN ARRIÈRE PLUS GRAND.

### **Sécheuses à gaz seulement :**

- Aucun autre appareil alimenté au carburant ne doit être installé dans le même placard qu'une sècheuse à gaz.
- La sècheuse doit être débranchée de la conduite d'alimentation en gaz lors des essais de pression lorsque celle-ci est supérieure à 1/2 psi (3,5 kPa).
- Un connecteur obturé d'un minimum de 3,2 mm (1/8 po) NPT, accessible pour la connexion de l'instrument de mesure, doit être posé tout juste en amont de la connexion de l'alimentation en gaz de la sècheuse.

## DÉGAGEMENTS MINIMUMS AUTRES QUE POUR UNE INSTALLATION ENCASTRÉE

Les dégagements minimums par rapport aux surfaces inflammables et pour l'orifice d'aération sont les suivants : 0 cm (0 po) des deux côtés\*, 2,54 cm (1 po) à l'arrière et 2,54 cm (1 po) haut.

\*Pour améliorer la performance, un dégagement de 12,7 mm (1/2 po) est suggéré de chaque côté.

L'arrière de la sècheuse doit faire face à un mur.

Veillez à prévoir des dégagements suffisants pour toute installation et réparation.

## INSTALLATION DANS UNE MAISON MOBILE OU PRÉFABRIQUÉE

- Installation DOIT être conforme à la NORME DE SÉCURITÉ POUR LA CONSTRUCTION DE MAISONS FABRIQUÉES, TITRE 24, PARTIE 3280 ou NORME POUR DES MAISONS MOBILES CAN/CSA-Z240 MH, ou, si la norme n'est pas applicable, à la NORME NATIONALE AMÉRICAINNE POUR LES MAISONS MOBILES ANSI/NFPA N° 501B.
- L'air de la sècheuse DOIT être évacué vers l'extérieur.
- L'évent d'évacuation DOIT être fixé d'une façon sécuritaire à une partie non combustible de la maison mobile.
- La ventilation NE DOIT PAS déboucher sous une maison mobile ou fabriquée.
- Le matériau du tuyau de ventilation DOIT ÊTRE LE MÉTAL.
- L'ensemble 14-D346-33 DOIT être utilisé pour raccorder la sècheuse à la structure.
- La ventilation NE DOIT PAS être raccordée à tout autre tuyau, évent ou cheminée.
- N'utilisez PAS de vis à tôle ni d'autres dispositifs de serrage qui dépassent à l'intérieur de l'évent d'évacuation.
- Prévoyez une ouverture dotée d'une zone ouverte de 63 cm<sup>2</sup> (25 pouces carrés) pour l'infiltration d'air extérieur dans de la sècheuse chambre.
- Voir la section pour des renseignements sur la connexion électrique.

# Instructions d'installation

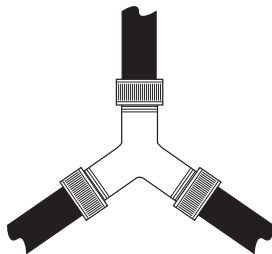
## BRANCHEMENT DES BOYAUX D'ARRIVÉE (pour modèles de sècheuse avec vapeur seulement)

### BRANCHEMENT DES BOYAUX D'ARRIVÉE

Pour produire de la vapeur, la sècheuse doit être branchée à une alimentation d'eau froide. Puisque la laveuse doit aussi être branchée à une alimentation d'eau froide, un connecteur en « Y » est inséré, afin de permettre aux boyaux d'arrivée d'être brancher au même moment.

**REMARQUE :** Utilisez des tuyaux d'entrée nouveaux ; n'utilisez jamais de vieux tuyaux.

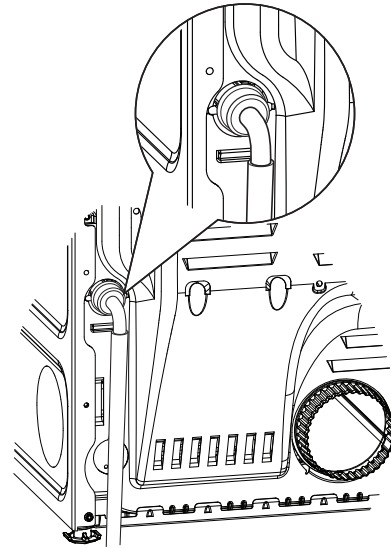
1. Fermez le robinet d'eau froide. Débranchez le boyau d'arrivée du connecteur du robinet de remplissage (froid).
2. Assurez-vous que la rondelle plate en caoutchouc est en place et attachez le raccord femelle du tuyau court fournis au connecteur du robinet de remplissage de la laveuse. Resserrez à la main jusqu'à ce qu'il soit bien serré. Resserrez à la main jusqu'à ce qu'il soit bien serré.
3. Raccordez une extrémité mâle du connecteur en « Y » à l'autre raccord femelle du boyau court. Assurez-vous que la rondelle plate en caoutchouc est en place. Resserrez à la main jusqu'à ce qu'il



soit bien vissé.

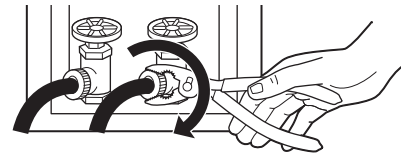
4. Insérez la grille de filtre dans le raccord du boyau d'arrivée de **la laveuse**. Si une rondelle plate en caoutchouc est déjà en place, retirez-la avant d'installer la grille de filtre. Raccordez ce raccord à une extrémité mâle du connecteur en « Y ». Resserrez à la main jusqu'à ce qu'il soit bien serré.
5. Assurez-vous que la rondelle plate en caoutchouc est en place et raccordez le tuyau d'arrivée de 1,2 m (4 pieds) à 1,8 m (6 pieds) (il est possible qu'il soit nécessaire de l'acheter séparément) à une extrémité mâle du connecteur en « Y ». Resserrez à la main jusqu'à ce qu'il soit bien serré.
6. Assurez-vous que la rondelle plate en caoutchouc est en place et raccordez l'autre extrémité du boyau d'arrivée long de **la sècheuse** au connecteur du robinet de remplissage dans le bas du panneau arrière de la sècheuse. Resserrez à la main jusqu'à ce qu'il soit bien serré.

### BRANCHEMENT DES BOYAUX D'ARRIVÉE (suite)



7. En utilisant des pinces, resserrez toutes les connexions avec un tour au deux-tiers.

**REMARQUE :** Ne pas trop serrer. Vous pourriez endommager les connexions.



8. Ouvrez le robinet d'eau.
9. Vérifiez l'absence de fuites autour du connecteur en « Y », du robinet et des raccords de boyau.

### EXIGENCES DE L'ALIMENTATION D'EAU






Les robinets d'eau chaude et d'eau froide **DOIVENT** être installés à une distance d'au moins 107 cm (42 po) du boyau d'eau de la laveuse. Les robinets **DOIVENT** être de type boyau de jardin de 19,1 mm (3/4 po) pour que les boyaux d'arrivée puissent être branchés. La pression de l'eau **DOIT** être entre 10 et 120 livres par pouce carré. Votre département d'eau peut vous laisser savoir ce qu'est votre pression d'eau.

**REMARQUE :** Un adoucisseur d'eau est recommandé pour réduire l'accumulation de dépôt à l'intérieur du générateur de vapeur si l'alimentation d'eau de la maison est très dure.














# Instructions d'installation

## RACCORDEMENT D'UNE SÈCHEUSE À GAZ (non applicable aux sècheuses électriques)

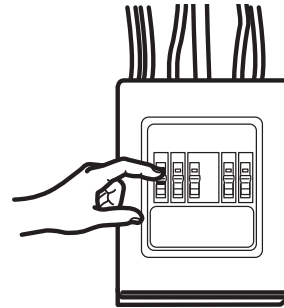
### OUTILS NÉCESSAIRES

- Clés à molette (2)  
25.40 cm (10 po)  

- Clé à tuyau 20.32 cm  
(8 po)  

- Tournevis à tête plate  

- Pince à joint coulissant  

- Niveau  


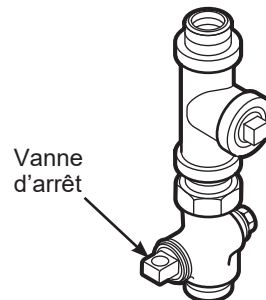
### MATERIALS YOU WILL NEED

- Coude métallique 10,2 cm  
(4 po) de diamètre  

- Mastic ou PTFE ruban  
pour joints de tuyaux  

- Tuyau de  
raccordement souple  

- Colliers de conduit (2)  
ou brides à ressort (2)  

- Lunettes de protection  

- Tuyau métallique 10,2 cm  
(4 po) de diamètre  
(recommandé)  

- Tuyau métallique souple  
10,2 cm (4 po) de  
diamètre (si nécessaire)  

- Gants  

- Solution savonneuse  
pour la détection de  
fuites  

- Évent d'évacuation  

- Ruban adhésif  

- Gaz adaptateur (2),  
elbow, un coude et  
obturateur  

- Plaque de  
recouvrement de  
10,2 cm (4 po)  
(Kit WE49X22606)  
(si besoin)  


- Avant de démarrer l'installation, déclenchez le disjoncteur ou enlevez le fusible de la sècheuse au panneau de distribution électrique. Assurez-vous que le cordon d'alimentation de la sècheuse est débranché de la prise murale.



- Fermez la vanne d'arrêt du gaz de la sècheuse de la conduite d'alimentation.



- Démontez et jetez l'ancien connecteur de gaz flexible et l'ancien conduit.



# Instructions d'installation

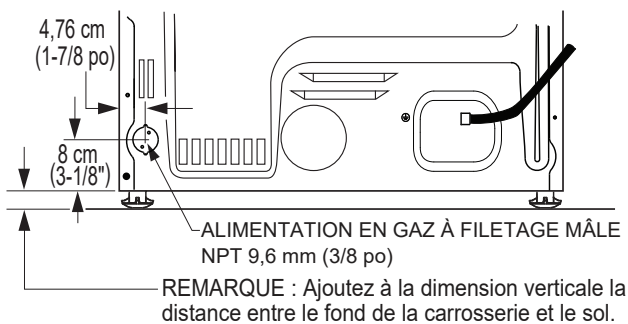
## RACCORDEMENT D'UNE SÈCHEUSE À GAZ (suite)

### EXIGENCES RELATIVES AU GAZ

#### **⚠ AVERTISSEMENT** - Risque d'explosion

- Utilisez une conduite de gaz flexible neuve, homologuée CSA International. Ne réutilisez jamais des connecteurs flexibles qui ont déjà servi.
  - Installez une vanne manuelle d'arrêt individuelle à l'intérieure de 6 pieds de la sècheuse conformément au Code National du Gaz Combustible, ANSI Z223.1 / NFPA 54.
  - Serrez fermement tous les raccords de gaz.
  - Si l'alimentation consiste en du gaz liquéfié, demandez à un technicien agréé de confirmer que la pression de gaz N'excède pas 33 cm (13 po) de la colonne d'eau.
  - Un technicien agréé peut provenir d'une entreprise spécialisée en chauffage, fourniture de gaz ou réparation.
  - L'omission de prendre ces précautions peut provoquer la mort, l'explosion ou l'incendie.
- 
- L'installation doit être conformes aux normes des codes locaux ou, en leur absence, avec la norme ANSI Z223.1/NFPA 54 du National Fuel Gas Code ou CSA B149.1 du Natural Gas and Propane Installation Code.

### RACCORDEMENT DE L'ALIMENTATION EN GAZ DE LA SÈCHEUSE



Vous devez utiliser un connecteur flexible en métal certifié par ANSI Z21.24/CSA 6.10. La longueur du connecteur ne doit pas excéder 1.2 m (4 pieds).

### ALIMENTATION EN GAZ

- Un robinet de raccordement à filetage National Pipe Taper 3,2 mm (1/8 po), accessible pour le raccordement d'un manomètre, doit être installé immédiatement en amont du raccord d'alimentation en gaz de la sècheuse. Contactez votre service de gaz local si vous avez des questions sur l'installation d'un robinet de raccordement.
- La conduite d'alimentation doit être composée d'un tube rigide de 12,7 mm (1/2 po) et équipée d'une vanne d'arrêt à moins de 1,8 m (6 pieds) de la sècheuse et dans la même pièce.
- Utilisez un mastic d'étanchéité approprié au gaz naturel ou au gaz de pétrole liquéfié ou utilisez du ruban PTFE.
- Raccordez le tuyau de raccordement métallique souple à la sècheuse et à l'alimentation en gaz.

#### **⚠ AVERTISSEMENT** - Risque d'incendie

#### POUR UNE UTILISATION AVEC GAZ NATUREL SEULEMENT

La sècheuse, telle que produite par le fabricant, doit être utilisée uniquement avec une alimentation en gaz naturel. Pour convertir cette sècheuse au gaz propane il est nécessaire un kit de conversion fourni par le fabricant. Utilisez le kit propane de conversion de gaz WE25M87. La conversion doit être effectuée par du personnel formé et qualifié conformément aux codes et règlements locaux.

### AJUSTEMENT DÛ À L'ÉLÉVATION

- Le flux d'entrée des sècheuses à gaz est ajusté pour une opération au niveau de la mer et n'a pas besoin d'être ajusté pour une opération à 610 m (2000 pieds) d'altitude ou moins. Pour une opération au dessus de 610 m (2000 pieds) d'altitude, le flux d'entrée doit être réduit à une fréquence de 4 pourcent par 305 m (1000 pieds) au dessus du niveau de la mer.
- L'installation doit être conforme aux codes locaux ou, si en absence de ces codes, le « NATIONAL FUEL GAS CODE, ANSI Z223 ».

# Instructions d'installation

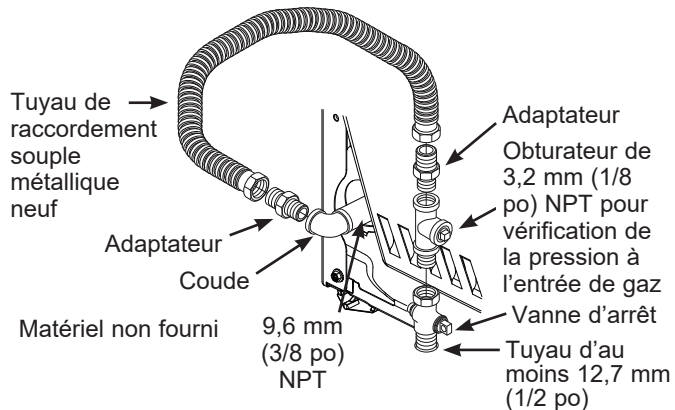
## RACCORDEMENT D'UNE SÉCHEUSE À GAZ (suite)

### RACCORDEMENT DE LA SÉCHEUSE À L'ALIMENTATION EN GAZ

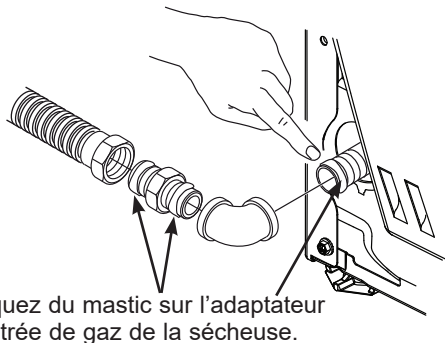
**A** Installez un coude femelle 9,6 mm (3/8 po) NPT à l'extrémité du raccord d'entrée de gaz de la sécheuse. Installez un raccord adaptateur 9,6 mm (3/8 po) sur le coude femelle.

**IMPORTANT** : Utilisez une clé à tuyau pour tenir fermement l'extrémité du raccord d'entrée de gaz de la sécheuse pour éviter de l'endommager.

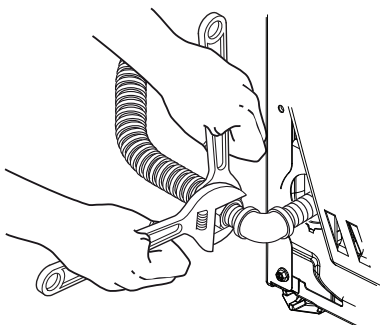
**NOTE** : Appliquez un mastic d'étanchéité ou du ruban PTFE sur les filetages de l'adaptateur et du raccord d'entrée de gaz de la sécheuse.



**B** Fixez le tuyau de raccordement métallique souple à l'adaptateur.



**C** Serrez le raccord du tuyau de raccordement souple à l'aide de deux clés à molette.

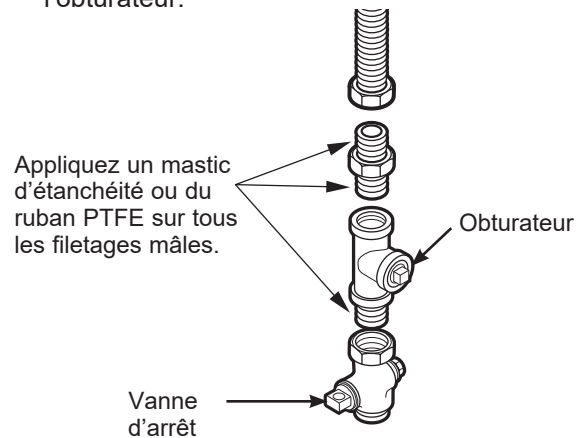


### RACCORDEMENT DE LA SÉCHEUSE À L'ALIMENTATION EN GAZ (suite)

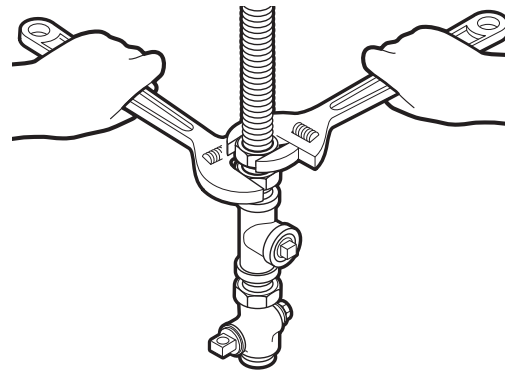
**D** Installez un obturbateur 3,2 mm (1/8 po) NPT sur la vanne d'arrêt de la ligne de gaz de la sécheuse pour vérifier la pression d'entrée du gaz.

Installez un raccord adaptateur à l'obturbateur.

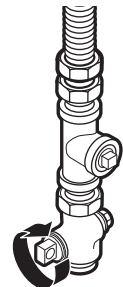
**REMARQUE** : Appliquez un mastic d'étanchéité ou du ruban PTFE sur les filetages de l'adaptateur et de l'obturbateur.



**E** Serrez tous les raccords à l'aide des deux clés à molette. **Ne serrez pas trop fort.**



**F** Ouvrez la vanne d'arrêt de gaz.



# Instructions d'installation

## RACCORDEMENT D'UNE SÉCHEUSE À GAZ (suite)

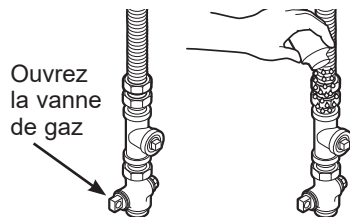
### DÉTECTION DES FUITES

N'utilisez jamais une flamme nue pour vérifier la présence de fuites de gaz.

Contrôlez la présence de fuites sur tous les raccords avec une solution savonneuse ou similaire.

Appliquez une solution savonneuse. La solution de détection des fuites ne doit pas contenir d'ammoniaque, ce qui pourrait endommager les raccords en laiton.

Si des fuites sont détectées, fermez la vanne, resserrez le raccord en cause et répétez la procédure de détection de fuites.



### INFORMATIONS DE BRANCHEMENT ÉLECTRIQUE POUR LES SÉCHEUSES À GAZ

#### ⚠ AVERTISSEMENT - Risque d'électrocution

Brancher l'appareil dans une prise à 3 broches mise à la terre.

**NE PAS** enlever la broche de mise à la terre.

**N'UTILISEZ** pas de rallonge électrique.

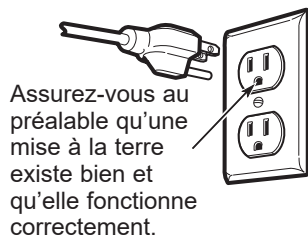
**N'UTILISEZ** pas d'adaptateur de prise.

L'omission de prendre ces précautions peut provoquer la mort, l'explosion ou l'incendie.

- Circuit – individuel, correctement polarisé et mise à la terre, disjoncteur de 15 ou 20 ampères ou fusible à temporisation.
- Alimentation - 2 fils plus la terre, 120 Volt, monophasé, 60 Hz, courant alternatif.

- Réceptacle sortie - Réceptacle à 3 broches correctement mise à la terre, doit être placé de telle manière que le cordon d'alimentation soit accessible lorsque la sècheuse est installée dans sa position finale.

Si le circuit a un réceptacle à 2 broches, c'est la responsabilité du propriétaire de le faire remplacer par un réceptacle à 3 broches correctement mise à la terre par un électricien agréé.



### INFORMATIONS DE BRANCHEMENT ÉLECTRIQUE POUR LES SÉCHEUSES À GAZ (suite)

- La sècheuse doit être mise à la terre conformément aux codes locaux et ordonnances, ou, en l'absence de tels codes, à la dernière édition du Code National Electrique, ANSI / NFPA NO. 70 ou du Code canadien de l'électricité, CSA C22.1. Vérifiez auprès d'un électricien agréé si vous n'êtes pas sûr que la sècheuse est correctement mise à la terre.

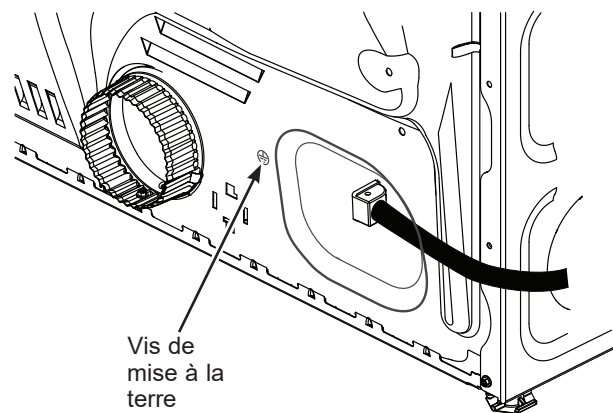
### INSTRUCTIONS DE MISE À LA TERRE

Cette sècheuse doit être mise à la terre. Dans l'éventualité d'un mal fonctionnement ou d'une panne, la mise à la terre réduit le risque de choc électrique en procurant un circuit de moindre résistance au courant électrique. Cette sècheuse utilise un cordon doté d'un conducteur de mise à la terre de l'appareillage et d'une fiche de mise à la terre. La fiche doit être branchée dans une prise compatible correctement installée et mise à la terre conformément à tous les codes et règlements en vigueur.

**⚠ AVERTISSEMENT** Une connexion incorrecte du conducteur de mise à la terre de l'appareillage peut poser un risque de choc électrique. Consultez un électricien ou réparateur qualifié si vous doutez que l'appareil soit correctement mis à la terre. **NE** modifiez **PAS** la fiche du cordon d'alimentation. Si elle ne s'insère pas dans la prise, demandez à un électricien agréé de poser une prise appropriée.

#### CONSERVEZ CES INSTRUCTIONS

- Si les codes locaux l'exigent, vous pouvez ajouter un fil en cuivre externe de mise à la terre de calibre 18 ou plus. Fixez ce fil à l'arrière du cabinet de la sècheuse avec une vis de tôle # 8-18 x 1/2 po (1.27 cm) (disponible à toute quincaillerie) tel qu'illustré.



# Instructions d'installation

## RACCORDEMENT D'UNE SÈCHEUSE ÉLECTRIQUE

(Sauter cette étape si votre sècheuse est au gaz ou si un cordon d'alimentation est déjà attaché à votre sècheuse)

### OUTILS NÉCESSAIRES

- Pince à joint coulissant



- Tournevis à tête plate



- Tournevis cruciforme



- Niveau



### MATÉRIEL NÉCESSAIRE

- Coude métallique 10,2 cm (4 po) diamètre



- Réducteur de tension en métal (UL)



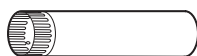
- Colliers de conduit 10,2 cm (4 po) (2) ou brides à ressort 10,2 cm (4 po) (2)



- Lunettes de protection



- Tuyau métallique 10,2 cm (4 po) de diamètre (recommandé)



- Tuyau métallique souple 10,2 cm (4 po) de diamètre (si nécessaire)



- Gants



- L'évent d'évacuation

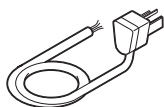


- Ruban adhésif



- Cordon d'alimentation de la sècheuse (non livré avec l'appareil)

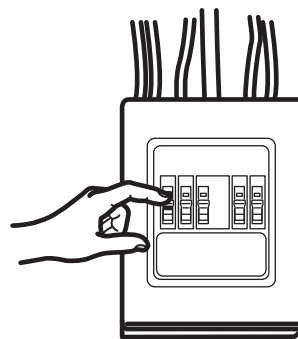
Conforme à la norme UL 120/240 V, 30 A avec 3 ou 4 broches. Identifiez le type de fiche selon la prise murale de votre domicile avant d'acheter le cordon



- Plaque de recouvrement de 10,2 cm (4 po) (Kit WE49X22606) (si besoin)



Avant d'effectuer le branchement électrique, déclenchez le disjoncteur ou enlevez le fusible de la sècheuse au panneau de distribution électrique. Assurez-vous que le cordon d'alimentation de la sècheuse est débranché de la prise murale. NE LAISSEZ JAMAIS LE CAPOT DE LA PLAQUE À BORNES ENLEVÉ.



### ⚠ AVERTISSEMENT ⚡ - Risque d'électrocution

Débranchez l'alimentation électrique avant la réparation.

Remettez toutes les pièces et panneaux en place avant d'utiliser l'appareil.

L'omission de prendre ces précautions peut provoquer la mort ou l'électrocution.

### CORDONS D'ALIMENTATION

GE Appliances recommande vivement l'utilisation de pièces spécifiées par le fabricant. Choisissez un cordon d'alimentation qui correspond aux exigences de votre installation.

**REMARQUE :** Si le circuit de votre sècheuse est dans un circuit protégé par un interrupteur GFCI, l'installation d'un cordon à 3 fils n'est pas autorisée. Le câblage de la maison et la sècheuse doivent être configurés pour des cordons à 4 fils.

No de pièce	Type	Longueur	Intensité de courant
WX9X2	3-Trifilaire	1,2 m (4 Pied)	30
WX9X3	3-Trifilaire	1,5 m (5 Pied)	30
WX9X4	3-Trifilaire	1,8 m (6 Pied)	30
WX9X18	4-Trifilaire	1,2 m (4 Pied)	30
WX9X19	4-Trifilaire	1,5 m (5 Pied)	30
WX9X20	4-Trifilaire	1,8 m (6 Pied)	30

Consultez votre annuaire local pour un détaillant de pièces autorisé ou appelez-nous au 800.661.1616 ou [Electromenagersge.ca/fr/produits/filtres-et-accessoires](http://Electromenagersge.ca/fr/produits/filtres-et-accessoires).

## RENSEIGNEMENTS SUR LES RACCORDS ÉLECTRIQUES POUR SÈCHEUSES ÉLECTRIQUES

### Pour les branchements électriques utilisant un cordon d'alimentation :

**REMARQUE :** Si le circuit de votre sècheuse est dans un circuit protégé par un interrupteur GFCI, l'installation d'un cordon à 3 fils n'est pas autorisée. Le câblage de la maison et la sècheuse doivent être configurés pour des cordons à 4 fils.

#### **AVERTISSEMENT** - Risque d'incendie

Utilisez un cordon d'alimentation de 240 V 30 ampères homologué UL pour sècheuse avec cosses à anneau fermées ou cosses fermées aux extrémités renversées.

Utilisez un réducteur de tension homologué UL.

Débranchez l'alimentation avant d'effectuer des connexions électriques.

Connectez le fil neutre (le fil blanc ou central) sur la borne centrale.

Le fil de terre (fil vert ou à nu) doit être branché à un connecteur de terre vert.

Connectez les deux autres fils d'alimentation sur les deux bornes correspondantes.

Serrez fermement toutes les connexions électriques.

Remplacez le couvercle du bloc des bornes.

L'omission de prendre ces précautions peut provoquer la mort, l'explosion ou l'incendie.

### INSTRUCTIONS DE MISE À LA TERRE

#### Pour une sècheuse branchée par cordon mis à la terre :

Cette sècheuse doit être mise à la terre. Dans l'éventualité d'un mal fonctionnement ou d'une panne, la mise à la terre réduit le risque de choc électrique en procurant un circuit de moindre résistance au courant électrique. Cette sècheuse utilise un cordon doté d'un conducteur de mise à la terre de l'appareillage et d'une fiche de mise à la terre. La fiche doit être branchée dans une prise compatible correctement installée et mise à la terre conformément à tous les codes et règlements en vigueur.

**AVERTISSEMENT**  - Une connexion incorrecte du conducteur de mise à la terre de l'appareillage peut poser un risque de choc électrique. Consultez un électricien ou réparateur qualifié si vous doutez que l'appareil soit correctement mis à la terre. **NE** modifiez **PAS** la fiche du cordon d'alimentation. Si elle ne s'insère pas dans la prise, demandez à un électricien agréé de poser une prise appropriée.

**CONSERVEZ CES INSTRUCTIONS**

#### **AVERTISSEMENT** - Risque d'électrocution

**POUR ÉVITER LES CHOCS ÉLECTRIQUES, DÉBRANCHEZ L'ALIMENTATION ÉLECTRIQUE AVANT L'ENTRETIEN.**

Cette sècheuse doit être connectée à un circuit de dérivation individuel avec un fil de cuivre de calibre 10 minimum à travers un fusible de 30 ampères ou un disjoncteur. **PAS** de fusible sur le fil neutre.

Utilisez uniquement des conducteurs en cuivre.

## RENSEIGNEMENTS SUR LES RACCORDS ÉLECTRIQUES POUR SÈCHEUSES ÉLECTRIQUES

### Pour les connexions de fil directes :

#### **AVERTISSEMENT** - Risque d'incendie

Utilisez un fil de cuivre de calibre 10.

Utilisez un réducteur de tension homologué UL.

Débranchez l'alimentation avant d'effectuer des connexions électriques.

Connectez le fil neutre (le fil blanc ou central) sur la borne centrale.

Le fil de terre (fil vert ou à nu) doit être branché à un connecteur de terre vert.

Connectez les deux autres fils d'alimentation sur les deux bornes correspondantes.

Serrez fermement toutes les connexions électriques.

Remplacez le couvercle du bloc des bornes.

L'omission de prendre ces précautions peut provoquer la mort, l'explosion ou l'incendie.

### INSTRUCTIONS DE MISE À LA TERRE

#### Pour une sècheuse à branchement permanent :

Cette sècheuse doit être connectée à du métal mis à la terre ou à un système de câblage permanent ; ou encore un conducteur de mise à la terre de l'appareillage doit être acheminé avec les conducteurs du circuit et connecté à une borne de mise à la terre de l'appareillage sur l'appareil.

**AVERTISSEMENT**  - Une connexion incorrecte du conducteur de mise à la terre de l'appareillage peut poser un risque de choc électrique. Consultez un électricien ou réparateur qualifié si vous doutez que l'appareil soit correctement mis à la terre.

**CONSERVEZ CES INSTRUCTIONS**

#### **AVERTISSEMENT** - Risque d'électrocution

**POUR ÉVITER LES CHOCS ÉLECTRIQUES, DÉBRANCHEZ L'ALIMENTATION ÉLECTRIQUE AVANT L'ENTRETIEN.**

Cette sècheuse doit être connectée à un circuit de dérivation individuel avec un fil de cuivre de calibre 10 minimum à travers un fusible de 30 ampères ou un disjoncteur. **PAS** de fusible sur le fil neutre.

Utilisez uniquement des conducteurs en cuivre.



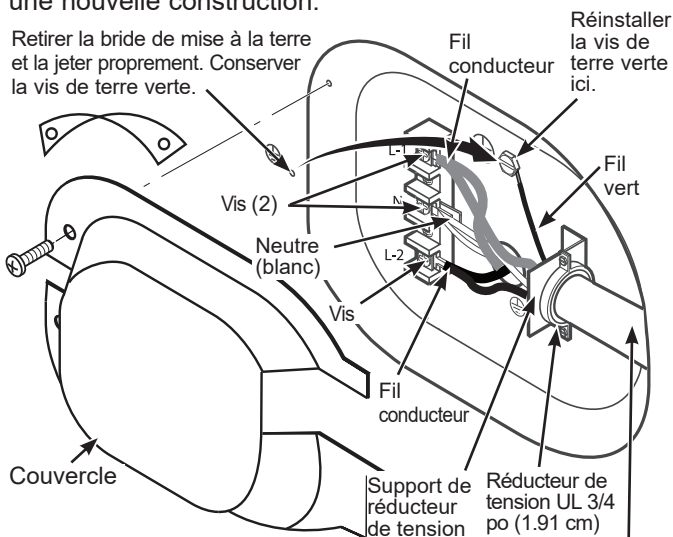
# Instructions d'installation

## RACCORDEMENT D'UNE SÈCHEUSE ÉLECTRIQUE

### BRANCHEMENT DE LA SÈCHEUSE À L'AIDE D'UN CÂBLE À 4 FILS (À UTILISER POUR L'INSTALLATION DANS UNE MAISON MOBILE)

**REMARQUE :** Depuis le 1<sup>er</sup> janvier 1996, le Code national de l'électricité impose aux nouvelles constructions d'utiliser un raccordement à 4 fils pour une sècheuse électrique. Un cordon à 4 fils doit aussi être utilisé lorsque les normes locales n'autorisent pas une mise à la terre via le neutre. Un raccordement à 3 fils NE doit PAS être utilisé dans une nouvelle construction.

Retirer la bride de mise à la terre et la jeter proprement. Conserver la vis de terre verte.



4 #10 AWG minimum copper conductors or 120/240V 30A power supply cord kit marked for use with dryers and provided with closed loop or spade terminals with upturned ends (not supplied).

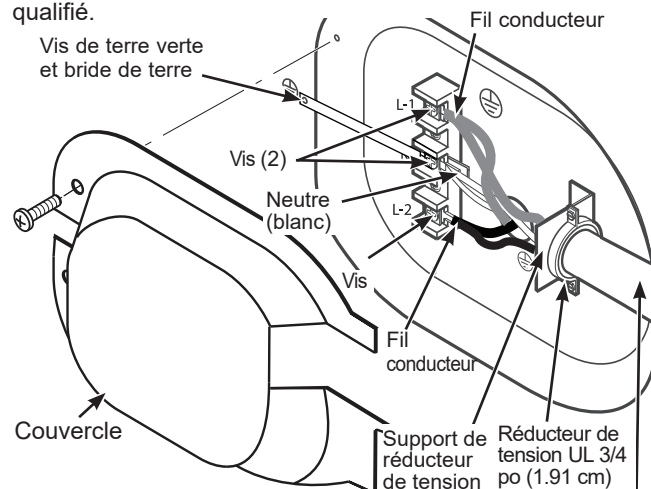
1. Déclenchez le(s) disjoncteur(s) ou retirez le(s) fusible(s) du circuit du tableau électrique.
2. Assurez-vous que le cordon de la sècheuse est débranché de la prise murale.
3. Retirez le couvercle du cordon d'alimentation sur la partie inférieure arrière.
4. Retirez et jetez proprement la bride de terre. Conservez la vis de terre verte pour l'étape 7.
5. Installez un réducteur de tension 3/4 po approuvé UL sur l'orifice d'entrée du cordon électrique. Faites passer le cordon électrique dans le réducteur de tension.
6. Connectez le cordon d'alimentation comme suit :
  - A. Connectez les 2 fils sous tension aux vis extérieures de la plaque à bornes (L1 et L2).
  - B. Branchez le fil neutre (blanc) au centre de la plaque à bornes (marqué N).
7. Fixez le fil de mise à la terre du cordon d'alimentation avec la vis de mise à la terre verte (trou au-dessus du support de réducteur de tension). Serrez toutes les vis de la plaque à bornes (3) fermement.
8. Fixez correctement le cordon d'alimentation au réducteur de tension.
9. Réinstallez le couvercle.

**NE LAISSEZ JAMAIS LE COUVERCLE ENLEVÉ DE LA PLAQUE À BORNES.**

### RACCORDEMENT DE LA SÈCHEUSE À L'AIDE D'UN CÂBLE À 3 FILS

**REMARQUE :** Si le circuit de votre sècheuse est dans un circuit protégé par un interrupteur GFCI, l'installation d'un cordon à 3 fils n'est pas autorisée. Le câblage de la maison et la sècheuse doivent être configurés pour des cordons à 4 fils.

Faites installer, si le code local l'exige, une mise à la terre externe (non fournie) sur un tuyau d'eau froide métallique mis à la terre ou toute autre mise à la terre par un électricien qualifié.



3 #10 AWG minimum copper conductors or 120/240V 30A power supply cord kit marked for use with dryers and provided with closed loop or spade terminals with upturned ends (not supplied).

#### Connexion à 3 fils

Ne peut pas être utilisée au Canada.

Ne peut pas être utilisée dans une maison mobile.

Ne peut pas être utilisée dans les nouvelles constructions.

Ne peut pas être utilisée dans les véhicules récréatifs.

Ne peut pas être utilisée dans les régions où les codes locaux interdisent la mise à la terre par le biais du câble neutre.

1. Déclenchez le(s) disjoncteur(s) ou retirez le(s) fusible(s) du circuit du tableau électrique.
2. Assurez-vous que le cordon de la sècheuse est débranché de la prise murale.
3. Retirez le couvercle de cordon d'alimentation qui se trouve sur la partie inférieure arrière.
4. Installez un réducteur de tension 3/4 po approuvé UL sur l'orifice d'entrée du cordon électrique. Passez le cordon d'alimentation à travers le réducteur de tension en métal.
5. Connectez le cordon d'alimentation comme suit :
  - A. Connectez les 2 fils sous tension aux vis extérieures de la plaque à bornes (L1 et L2).
  - B. Connectez le fil neutre (blanc) au centre de la plaque à bornes (N).
6. Assurez-vous que la bride de terre est connectée à la borne neutre (centre) du bornier et à la vis de terre verte sur l'arrière de la sècheuse. Serrez toutes les vis de la plaque à bornes (3) fermement.
7. Fixez le cordon d'alimentation dans le réducteur de tension.
8. Réinstallez le couvercle.

**NE LAISSEZ JAMAIS LE COUVERCLE ENLEVÉ DE LA PLAQUE À BORNES.**

# Instructions d'installation

## ÉVACUATION DE LA SÈCHEUSE

### **▲ AVERTISSEMENT** - Risque d'incendie

L'air de la sècheuse DOIT être évacué vers l'extérieur. Utilisez seulement des tuyaux métalliques rigides de 10,2 cm (4 po) pour le conduit d'évacuation du domicile.

Pour raccorder votre sècheuse au tuyau d'évacuation de la maison, utilisez seulement un conduit de transition de 10,2 cm (4 po) d'un des types suivants : métallique rigide, métallique flexible homologué UL ou en aluminium pour sècheuse homologué UL.

**AUCUN** plastique ne doit composer le conduit d'évacuation de la maison, le conduit de transition de la sècheuse, ni se trouver à l'intérieur de la sècheuse. Le conduit d'évacuation de la maison **NE** doit **PAS** se trouver à l'intérieur de la sècheuse, ni être en métal flexible ou en aluminium.

Ne dirigez **PAS** l'évacuation dans une cheminée, la hotte de cuisine, un évent à gaz, un mur, un plafond, un comble, un vide sanitaire ou un espace dissimulé d'un bâtiment.

N'installez **PAS** un grillage dans ou par-dessus le conduit d'échappement.

N'installez **PAS** un ventilateur d'appoint dans le tuyau de ventilation.

N'utilisez **PAS** un conduit dont la longueur dépasse celle spécifiée dans le tableau des longueurs d'échappement.

L'omission d'observer ces directives peut entraîner le décès ou l'incendie.

### OUTILS ET MATÉRIEL NÉCESSAIRES À L'INSTALLATION DU CONDUIT D'ÉVACUATION

Tournevis  
cruciforme



Ruban de toile ou  
colliers pour conduit



Rigid or UL-listed flexible  
metal 4" (10.2 cm) duct



Conduit rigide ou  
flexible homologué UL  
de 4 po (10,2 cm)



Scie à  
métaux



Évent  
d'évacuation



### PIÈCES DISPONIBLES DE GEAPPLIANCES.CA OU D'ENTREPRISES DE LOCAUX

**PM8X85** Hotte extérieure de ventilation

**PM08X10085** Conduit de transition flexible de 8 pi  
pour sècheuse avec 2 brides

**WX08X10130** Brides de conduit d'évacuation de 4 po  
pour sècheuse

**WE49X22606** Couvercle pour orifice d'évacuation  
arrière - Sècheuses à évacuation par le  
côté ou le bas

### BRANCHEMENT DE LA SÈCHEUSE À L'ÉVENT DU DOMICILE

#### CONDUIT DE TRANSITION EN MÉTAL RIGIDE

- Pour une meilleure efficacité de séchage, un conduit de transition en métal rigide est recommandé.
- Les conduits de transition en métal rigide réduisent le risque d'écrasement et de pliure.

#### CONDUIT DE TRANSITION EN MÉTAL FLEXIBLE (SEMI-RIGIDE) HOMOLOGUÉ UL

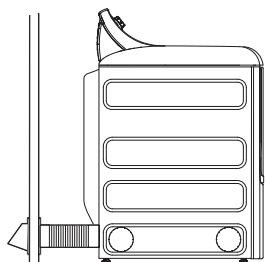
- Si un conduit métallique rigide ne peut être utilisé, alors un conduit métallique flexible semi-rigide homologué UL peut être employé (ensemble PM08X10085).
- N'installez jamais un conduit métallique flexible dans des murs, des plafonds, des planchers ou d'autres espaces restreints.
- La longueur totale du conduit métallique flexible ne doit pas dépasser 2,4 m (8 pi).
- Pour de nombreuses applications, l'installation de coudes aussi bien à la sècheuse qu'au mur est vivement recommandée (voir les illustrations à droite). Les coudes permettent à la sècheuse de reposer près du mur sans plier ni écraser le conduit de transition, optimisant ainsi l'efficacité du séchage.
- Évitez de faire reposer le conduit sur des objets coupants.

#### CONDUIT DE TRANSITION EN MÉTAL FLEXIBLE (TYPE EN FEUILLE) HOMOLOGUÉ UL

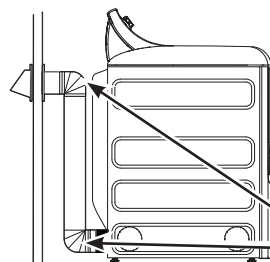
- Dans des installations spéciales, il peut être nécessaire de brancher la sècheuse à l'évent du domicile à l'aide d'un conduit métallique flexible (type en feuille). Le conduit de transition flexible pour sècheuses approuvé par UL (pièce de GE Appliances - PM8X73 ou WX8X73) peut être utilisé seulement dans des installations où le conduit en métal rigide où les conduits métalliques rigides ou flexibles (semi-rigides) ne peuvent pas être employés ET où un diamètre de 10,2 cm (4 po) peut être conservé sur toute la longueur du conduit de transition.
- Au Canada et aux États-Unis, seuls les conduits métalliques flexibles (type en feuille) qui sont conformes à la norme 2158A « **Outline for Clothes Dryer Transition Duct Subject** » doivent être utilisés.
- Évitez de faire reposer le conduit sur des objets coupants.
- Pour une meilleure efficacité de séchage :
  1. Glissez une des extrémités du conduit par-dessus le conduit de sortie de la sècheuse.
  2. Fixez le conduit à l'aide d'une bride.
  3. Sècheuse dans sa position permanente, déployez le conduit à sa pleine longueur. Laissez un recouvrement de 5 cm (2 po) du conduit sur le conduit d'évacuation. Coupez et retirez la longueur de conduit en surplus. Gardez le conduit aussi droit que possible pour obtenir une circulation d'air maximale.
  4. Fixez le conduit sur le conduit d'évacuation à l'aide de l'autre bride.

# Instructions d'installation

## ÉVACUATION DE LA SÈCHEUSE (suite)



• **COUPEZ** le conduit aussi court que possible et installez-le droit vers le mur.



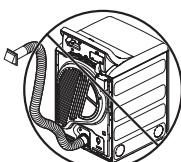
• **UTILISEZ** des coudes lorsque des changements de direction sont nécessaires.

Coudes

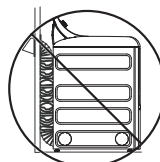
• **N'ÉCRASEZ PAS** ou ne pliez pas le conduit. Utilisez des coudes lorsque des changements de direction sont nécessaires.



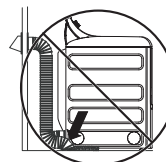
• **N'UTILISEZ PAS** une longueur excessive de conduit. Coupez le conduit aussi court que possible.



• **N'ÉCRASEZ PAS** le conduit contre le mur.



• **N'INSTALLEZ PAS** la sècheuse sur le conduit.



## LONGUEUR DU TUYAU D'ÉCHAPPEMENT

Utilisez des tuyaux d'échappement plus long que ce qui est spécifié aura comme conséquence :

- Augmentera les temps de séchage et les coûts d'énergie.
- Réduira la durée de vie de la sècheuse.
- Accumulation de la charpie, créant un danger potentiel de feu.

**L'installation correcte du tuyau est VOTRE RESPONSABILITÉ.**

**Les problèmes causés par une mauvaise installation ne sont pas couverts par la garantie.**

La longueur du système d'échappement MAXIMUM PERMISE dépend du type de conduits, du nombre de tours, du type de couvert de tuyau d'échappement (couvert mural) et de toutes les conditions mentionnées sur la carte.

- Les coudes intérieurs ajoutés pour les conversions d'évent latérales ou inférieures doivent être inclus dans le calcul total de coude.
- Tout coude dont l'angle est supérieur à 45° doit être considéré comme un coude de 90°.
- Deux coudes de 45° devront être considérés comme un coude de 90°. Un angle de 45° ou moins peut être ignoré.
- Pour la ventilation latérale, ajouter un coude de 90° au tableau.
- Pour chaque coude additionnel de 90°, réduire de 3 m (10 pieds) la longueur totale permise du système de ventilation.
- Lors du calcul de la longueur totale du système de ventilation, vous devez ajouter toutes les portions droites et coudes du système (y compris le conduit de transition).

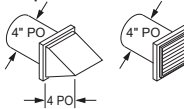
### LONGUEUR MAXIMUM RECOMMANDÉ

Types de couverts de tuyau d'échappement

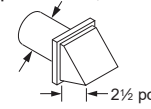
Recommandé

Utilisation pour des installations de courte durée seulement

4 po de diamètre



4 po de diamètre



Nombre de Coudes à 90°	Métal rigide	
	Recommandé	Utilisation pour des installations de courte durée seulement
0	36,6 m (120 Pieds)	27,4 m (90 Pieds)
1	30,5 m (100 Pieds)	22,9 m (75 Pieds)
2	25,9 m (85 Pieds)	19,8 m (65 Pieds)
3	21,3 m (70 Pieds)	16,8 m (55 Pieds)
4	18,3 m (60 Pieds)	13,7 m (45 Pieds)
5	16,8 m (55 Pieds)	10,7 m (35 Pieds)

# Instructions d'installation

## ÉVACUATION DE LA SÈCHEUSE (suite)

### LISTE DE VÉRIFICATION DU SYSTÈME D'ÉVACUATION

#### ÉVENT MURAL

- Terminez le conduit de façon à éviter les retours d'air ou l'entrée d'oiseaux ou d'autres animaux.
- La terminaison doit présenter une résistance minimale au flux d'air évacué et nécessiter peu ou pas de maintenance pour empêcher les obstructions.
- Les événements muraux doivent être installés à au moins 30,5 cm (12 po) au-dessus du niveau du sol ou toute autre obstruction avec l'ouverture dirigée vers le bas.

#### SÉPARATIONS DES COUDES

- Pour de meilleures performances, séparez tous les coudes par un conduit droit d'au moins 1,2 m (4 pieds), y compris sur la distance entre le dernier coude et le couvert du tuyau d'échappement.

#### ÉTANCHÉITÉ DES JOINTS

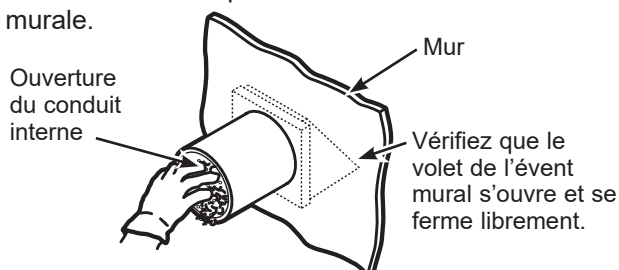
- Tous les joints doivent être serrés pour éviter les fuites. L'extrémité mâle de chaque section du conduit doit être dirigée vers l'extérieur par rapport à la sécheuse.
- Les joints de conduit doivent être étanches à l'air et à la poussière, recouverts de ruban de toile ou en aluminium.
- N'assemblez pas les conduits avec des fixations qui pénètrent dans le conduit. Elles serviraient de point de collecte pour la charpie.
- Les conduits horizontaux doivent être inclinés vers l'extérieur de 6,4 mm (1/4 po) par pied de longueur.
- Prévoyez libre un accès pour l'inspection et le nettoyage du système d'évacuation, notamment pour les coudes. Inspectez et nettoyez le système au moins une fois par an.

#### ISOLATION

- Les conduits qui traversent une zone non chauffée ou situés à proximité d'un climatiseur doivent être isolés pour réduire la condensation et la création de charpie.

### AVANT DE COMMENCER

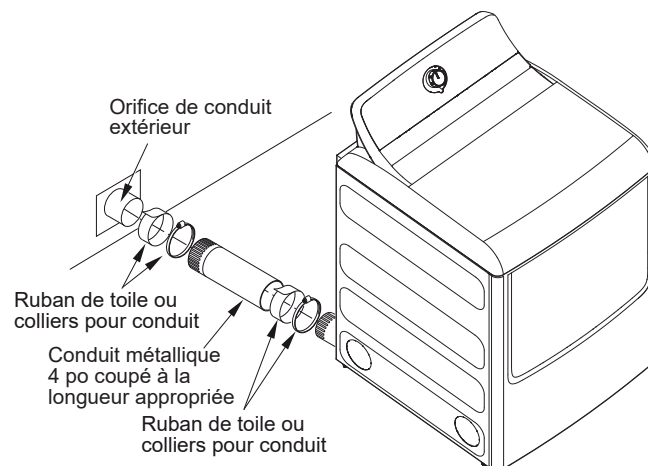
- Enlevez et jetez le conduit d'évacuation existant s'il est fait de plastique ou de métal souple, et remplacez-le par un conduit d'évacuation listé par UL.
- Enlevez toute charpie de l'ouverture d'évacuation murale.



### ÉVACUATION ARRIÈRE STANDARD

Nous vous recommandons d'installer votre sécheuse avant d'installer votre laveuse. Cela permettra un accès direct pour faciliter le raccordement de l'évacuation.

Insérez l'extrémité du conduit d'évacuation sur le raccord arrière de la sécheuse et fixez-la avec du ruban de toile ou un collier de fixation.

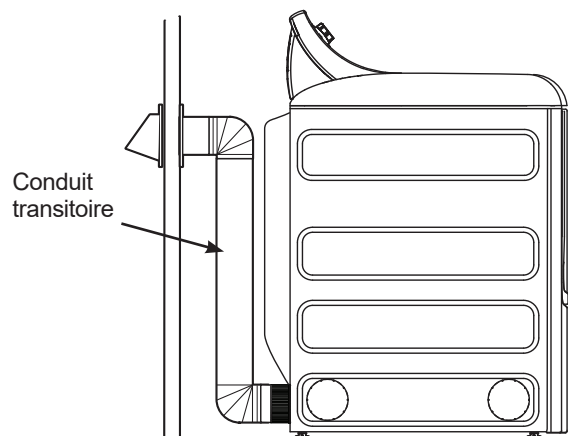


**REMARQUE :** Nous vous recommandons fortement d'utiliser un conduit d'évacuation rigide et en métal. Si les conduits flexibles de métal sont installés, ils doivent être homologué UL, pas de plastique.

- Pour une installation droite, raccordez le conduit d'évacuation de la sécheuse au mur l'aide de ruban en toile.

### CONFIGURATION RECOMMANDÉE POUR MINIMISER UN BLOCAGE DU CONDUIT

L'utilisation de coudes empêchera les conduits de se déformer et de s'écraser.



# Instructions d'installation

## ÉVACUATION DE LA SÈCHEUSE (suite)

### ÉVACUATION PAR LE CÔTÉ OU LE BAS

#### ⚠ AVERTISSEMENT



- Risque d'incendie

Débranchez la sècheuse de l'alimentation électrique.

Portez des gants et des protège-bras.

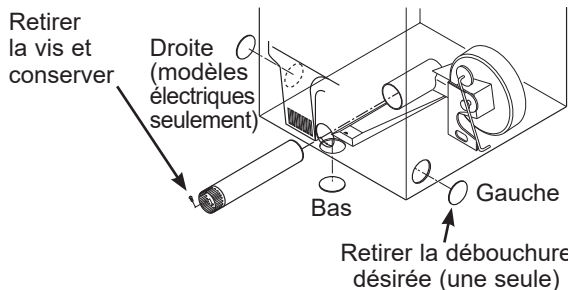
Fermez l'ouverture arrière par le panneau d'accès inclus dans kit WE49X22606.

L'omission de prendre ces précautions peut causer des incendie, chocs électriques ou des lacérations.

Évacuation à la droite de la carrosserie sur les modèles électriques seulement.

Évacuation à la gauche de la carrosserie sur les modèles à gaz ou électriques.

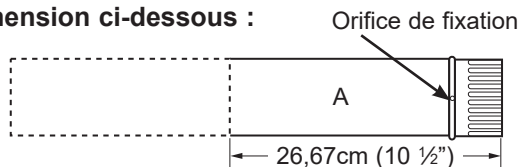
Évacuation par le bas de la carrosserie pour les modèles à gaz ou électriques.



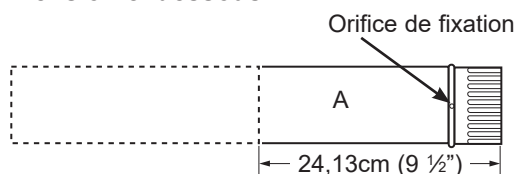
Détachez et retirez la débouchure droite (modèles électriques seulement), gauche ou inférieure selon le besoin. Retirez la vis à l'intérieur du conduit d'évacuation et conservez-la. Tirez le conduit d'évacuation pour le sortir de la sècheuse.

Coupez le conduit comme illustré et gardez la partie A.

**Pour les modèles de 7,4 pi3 seulement, utilisez la dimension ci-dessous :**



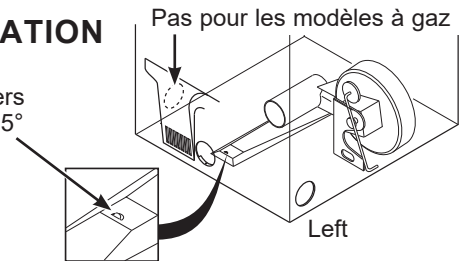
**Pour les modèles de 6,2 et 7,2 pi3 seulement, utilisez la dimension ci-dessous :**



### ÉVACUATION PAR LE CÔTÉ OU LE BAS (suite)

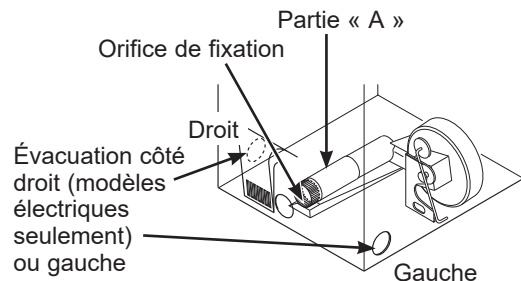
#### TAB LOCATION

Courber la languette vers le haut de 45°



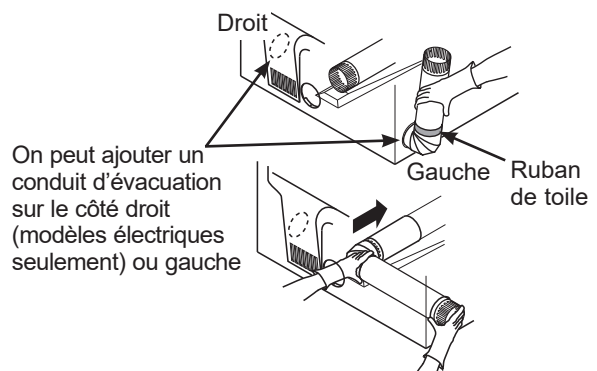
Par l'orifice arrière, repérez la languette au centre de la base de la sècheuse. Levez la languette sur environ 45° à l'aide d'un tournevis à lame plate.

#### AJOUT D'UN NOUVEAU CONDUIT



Raccordez la partie coupée (A) du conduit sur le boîtier du ventilateur. Assurez-vous que le conduit raccourci est aligné sur la languette de la base. Utilisez la vis précédemment conservée pour fixer le conduit en place à travers la languette de la base.

#### AJOUT D'UN COUDE ET D'UN CONDUIT POUR ÉVACUATION SUR LE CÔTÉ DROIT (MODÈLES ÉLECTRIQUES SEULEMENT) OU LE CÔTÉ GAUCHE DE LA CARROSSERIE



- Assemblez un coude de 4 po sur un conduit de 4 po. Enveloppez le joint avec du ruban à conduit.
- Insérez l'assemblage, coude en premier, dans l'orifice du côté et raccordez le coude au conduit intérieur de la sècheuse.

**Assurez-vous de ne pas tirer ni endommager les fils électriques à l'intérieur de la sècheuse lors de l'insertion du conduit.**

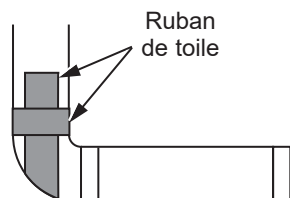
# Instructions d'installation

## ÉVACUATION (suite)

### ÉVACUATION PAR LE CÔTÉ OU LE BAS (suite)

#### AJOUT D'UN COUDE ET D'UN CONDUIT POUR ÉVACUATION SUR LE CÔTÉ GAUCHE OU DROIT DE LA CARROSSERIE (suite)

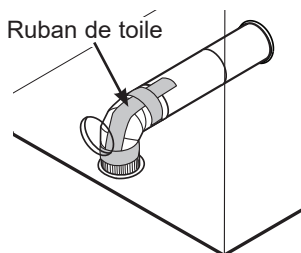
- Appliquez du ruban à conduit, comme illustré, sur le joint entre le conduit intérieur de la sécheuse et le coude, et aussi sur le joint entre le coude et le conduit latéral.



Utilisez un conduit métallique rigide de 4 po à l'intérieur de la sécheuse seulement. Les joints du conduit intérieur doivent être fixés avec du ruban à conduit, sinon ils peuvent se détacher et poser un risque.

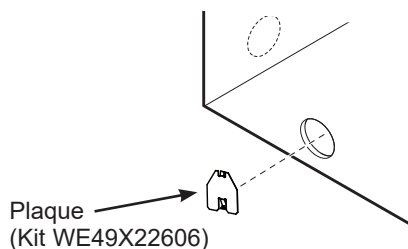
#### AJOUT D'UN COUDE POUR ÉVACUATION DANS LE BAS DE LA CARROSSERIE

- Insérez le coude dans l'orifice arrière et raccordez-le au conduit intérieur de la sécheuse.
- Appliquez du ruban à conduit, comme illustré, sur le joint entre le conduit intérieur de la sécheuse et le coude, et aussi sur le joint entre le coude et le conduit inférieur.



Les joints du conduit intérieur doivent être fixés avec du ruban à conduit, sinon ils peuvent se détacher et poser un risque.

#### AJOUT D'UNE PLAQUE DE RECouvreMENT SUR L'ARRIÈRE DE LA CARROSSERIE



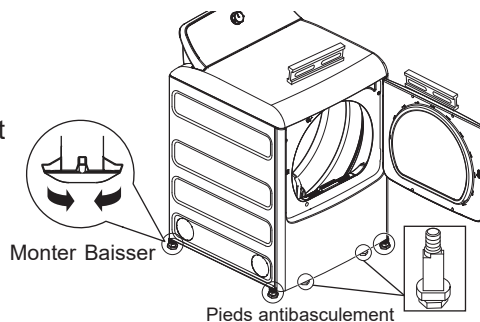
Raccordez les coudes et les conduits métalliques standard pour compléter le système d'évacuation. Recouvrez l'orifice arrière avec la plaque (trousse WE49X22606) que l'on peut se procurer sur [GEApplianceparts.com](http://GEApplianceparts.com) ou par un fournisseur de service local. Placez la sécheuse à son emplacement final.

**NE LAISSEZ JAMAIS L'OUVERTURE ARRIÈRE SANS LA PLAQUE. (Trousse WE49X22606)**

## INSTALLATION FINALE

### 1 METTEZ LA SÉCHEUSE DE NIVEAU

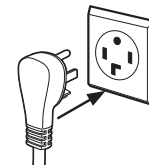
Placez la sécheuse à proximité de l'emplacement final. Réglez les quatre pattes de nivellement pour la mettre de



niveau de gauche à droite, et de l'avant vers l'arrière. Puis ajustez les deux pieds antibasculement des coins intérieurs avant, en veillant à ce qu'ils touchent le plancher pour éviter le basculement. L'installation n'est pas terminée tant que cette manœuvre n'est pas exécutée.

### 2 BRANCHEZ LA SÉCHEUSE

Assurez-vous au préalable qu'une mise à la terre existe bien et qu'elle fonctionne correctement.



### 3 DÉMARRAGE DE LA SÉCHEUSE

Appuyez sur la touche **Alimentation**.  (l'apparence varie)

**REMARQUE :** Si la sécheuse a été exposée à des températures inférieures au point de congélation pendant une période prolongée, laissez-la se réchauffer avant d'appuyer sur **Alimentation**. Sinon, l'écran ne s'allumera pas. La sécheuse est maintenant prête à l'emploi.

#### ⚠ AVERTISSEMENT - Risque d'électrocution

Débranchez l'alimentation électrique avant la réparation.

Remettez toutes les pièces et panneaux en place avant d'utiliser l'appareil.

L'omission de prendre ces précautions peut provoquer la mort ou l'électrocution.

#### ⚠ AVERTISSEMENT - Risque d'électrocution

Certaines pièces internes sont intentionnellement non mises à la terre et peuvent présenter un risque de choc électrique lors d'un entretien.

**Personnel de réparateur – NE PAS** toucher aux composants suivants lorsque l'appareil est sous tension : lumière de tambour, interrupteur de porte, carte électronique, allumeur, thermostats, détecteur de flamme ou chauffage micra.

# Instructions d'installation

## INVERSION DE L'OUVERTURE DE LA PORTE (Optionnel)

### INVERSION DU SENS D'OUVERTURE DE LA PORTE

#### REMARQUES IMPORTANTES :

- Lisez les instructions en entier avant de commencer.
- Manipulez les pièces avec soin afin d'éviter d'abîmer la peinture.
- Posez les vis à côté de leurs pièces respectives afin d'éviter de les utiliser aux mauvais endroits.
- Prévoyez une surface non abrasive pour les portes.
- Il faut normalement de 30 à 60 minutes pour inverser le sens d'ouverture de la porte.

#### IMPORTANT :

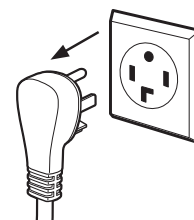
Après avoir commencé, ne déplacez pas la sècheuse avant que l'inversion de l'ouverture de la porte n'ait été effectuée. Ces instructions permettent de transférer les charnières du côté droit vers le côté gauche. Si vous souhaitez les réinstaller du côté droit, veuillez suivre ces mêmes instructions et inversez toutes les références aux termes gauche et droite.

#### Outils Nécessaires :

- Tournevis avec embout Quadrex no1, sinon tournevis à tête cruciforme no2
- Couteau à mastic (pointe recouverte de ruban)
- Petit tournevis à lame plate

#### Avant de commencer

Débranchez la sècheuse de sa prise électrique.



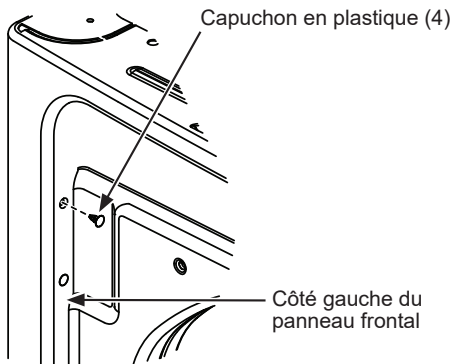
# Instructions d'installation

## INVERSION DE L'OUVERTURE DE LA PORTE (Optionnel)

Choisissez les instructions **INVERSION DE L'OUVERTURE DE LA PORTE** **A** ou **B** selon votre modèle.

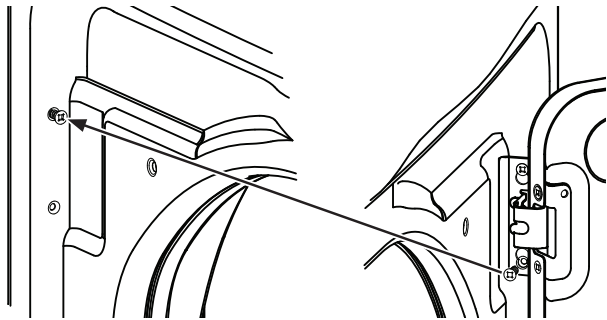
### **A** MODÈLES SANS CARACTÉRISTIQUE DE RAFRAÎCHISSEMENT DES TISSUS

- 1 Ouvrez la porte sur environ 130°. Avec un couteau à mastic, retirez les quatre (4) capuchons en plastique situés le long du côté gauche du panneau frontal et mettez-les de côté.

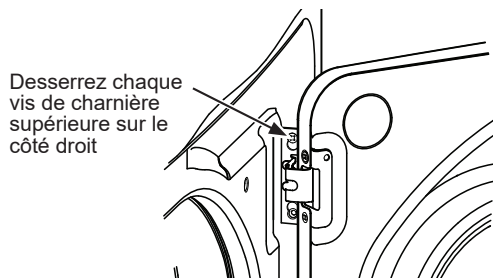


- 2 Retirez la vis inférieure de chaque charnière (côté droit) et insérez-les partiellement dans chaque trou de charnière supérieure sur le côté gauche.

**REMARQUE :** Toutes les quatre (4) vis de charnière du panneau frontal seront maintenant dans les trous de charnière supérieures, deux (2) à gauche et deux (2) à droite.

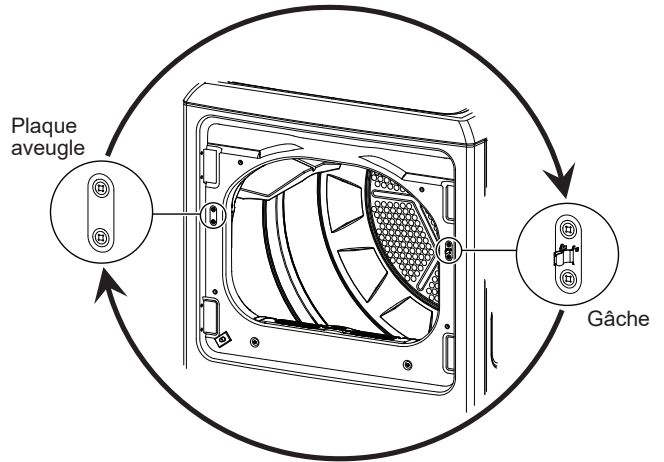


- 3 Desserrez chaque vis de charnière supérieure sur le côté droit. Retirez la porte et placez-la sur une surface plate protégée pour prévenir les dommages.

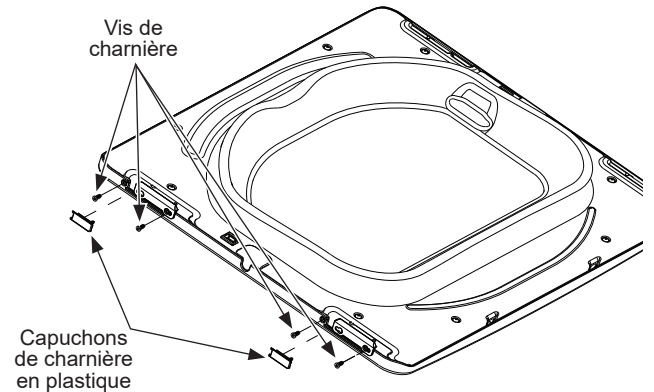


### **A** MODÈLES SANS CARACTÉRISTIQUE DE RAFRAÎCHISSEMENT DES TISSUS

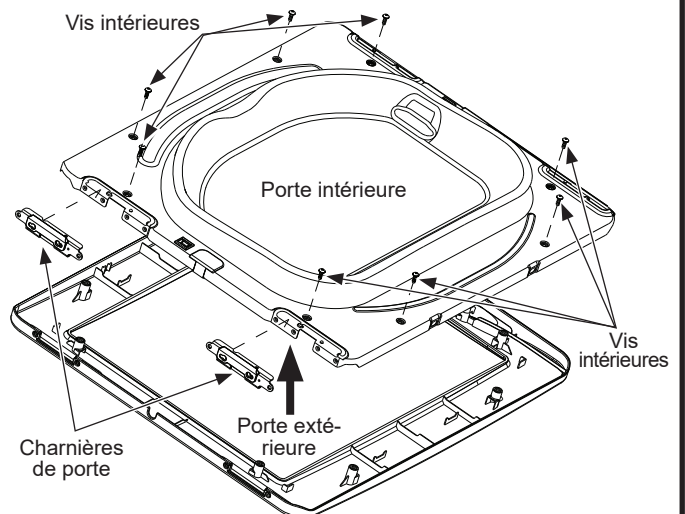
- 4 Retirez la plaque aveugle et la gâche et installez-les dans les positions opposées.



- 5 Retirez les deux (2) capuchons de charnière en plastique et quatre (4) vis de charnière.



- 6 Retirez huit (8) vis intérieures. Levez la porte intérieure à l'aide d'un tournevis à lame plate. Retirez les 2 charnières de porte.



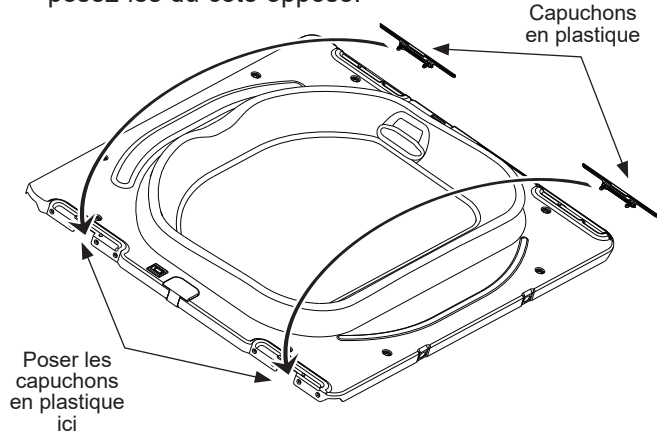


# Instructions d'installation

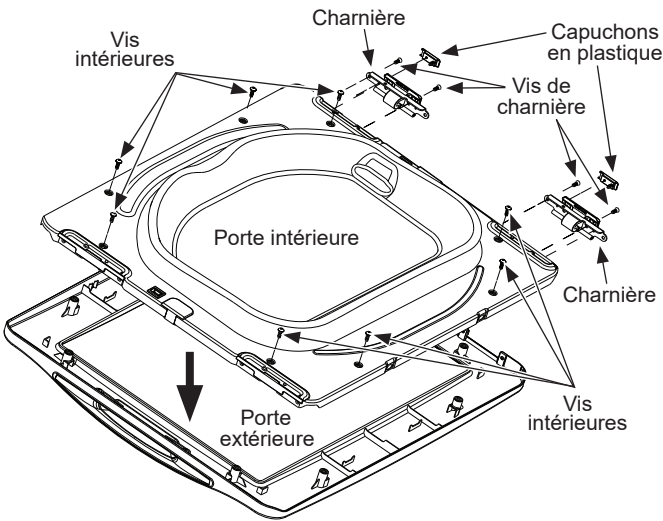
## INVERSION DE L'OUVERTURE DE LA PORTE (Optionnel)

### A MODÈLES SANS CARACTÉRISTIQUE DE RAFRAÎCHISSEMENT DES TISSUS

- 7 Retirez les deux capuchons en plastique et posez-les du côté opposé.

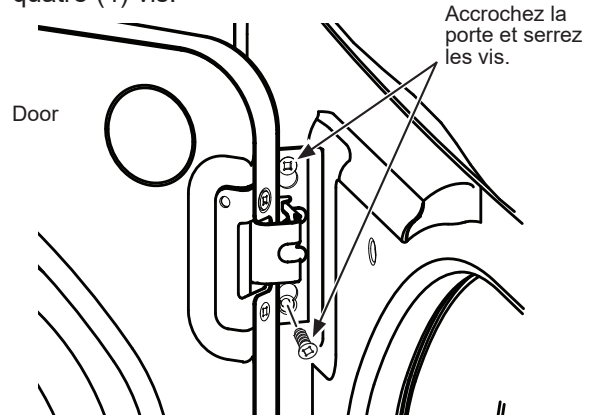


- 8 Faites pivoter la porte extérieure de 180°. Mettez les charnières en place, assurez-vous de poser les charnières sur le côté qui se trouve à l'opposé de la poche. Réinstallez la porte intérieure dans le cadre de la porte extérieure et fixez avec les vis retirées à l'étape 6. Vissez les charnières de la porte et insérez les capuchons de charnière.

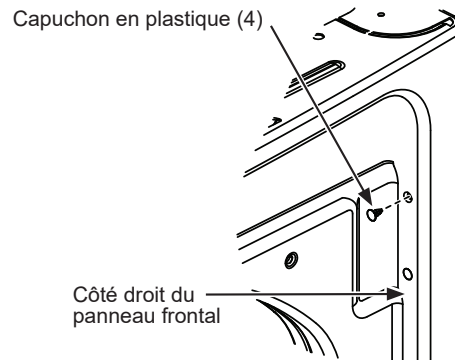


### A MODÈLES SANS CARACTÉRISTIQUE DE RAFRAÎCHISSEMENT DES TISSUS

- 9 Montez la porte assemblée sur les deux (2) vis de charnière du côté gauche supérieur installées à l'étape 2. Déplacez les vis de charnière desserrées à l'étape 2 dans les trous de vis du côté gauche inférieur et serrez fermement les quatre (4) vis.



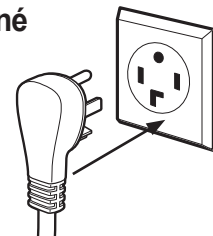
- 10 Installez les quatre (4) capuchons en plastique (retirés à l'étape 1) dans les quatre (4) trous du panneau frontal sur le côté droit.



**REMARQUE :** Pour remettre la porte dans sa position initiale, suivez ces instructions en permutant les mots « gauche » et « droite ».

### Lorsque vous avez terminé

Branchez la sècheuse dans une prise électrique.

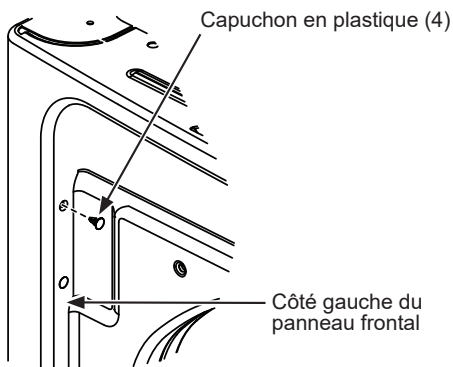


# Instructions d'installation

## INVERSION DE L'OUVERTURE DE LA PORTE (Optionnel)

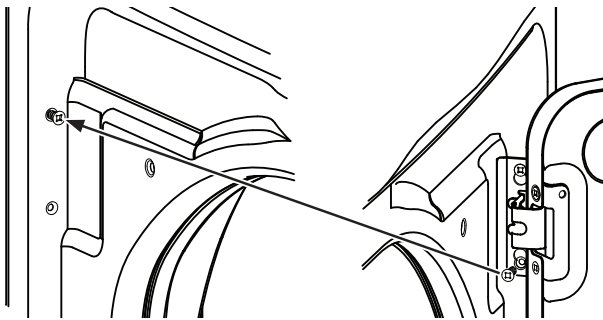
### B MODÈLES AVEC CARACTÉRISTIQUE DE RAFRAÎCHISSEMENT DES TISSUS

- 1 Ouvrez la porte sur environ 130°. Avec un couteau à mastic, retirez les quatre (4) capuchons en plastique situés le long du côté gauche du panneau frontal et mettez-les de côté.

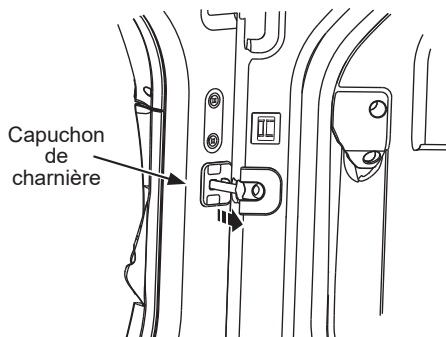


- 2 Retirez la vis inférieure de chaque charnière (côté droit) et insérez-les partiellement dans chaque trou de charnière supérieure sur le côté gauche.

**REMARQUE :** Toutes les quatre (4) vis de charnière du panneau frontal seront maintenant dans les trous de charnière supérieures, deux (2) à gauche et deux (2) à droite.

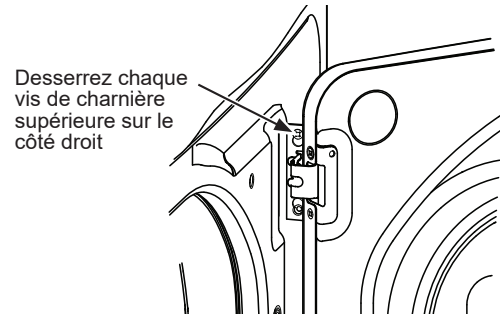


- 3 Utilisez un petit tournevis à tête plate pour retirer le capuchon de charnière du panneau frontal.

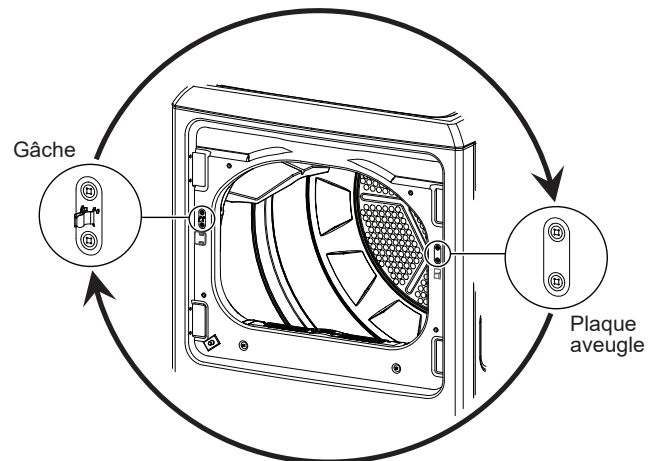


### B MODÈLES AVEC CARACTÉRISTIQUE DE RAFRAÎCHISSEMENT DES TISSUS

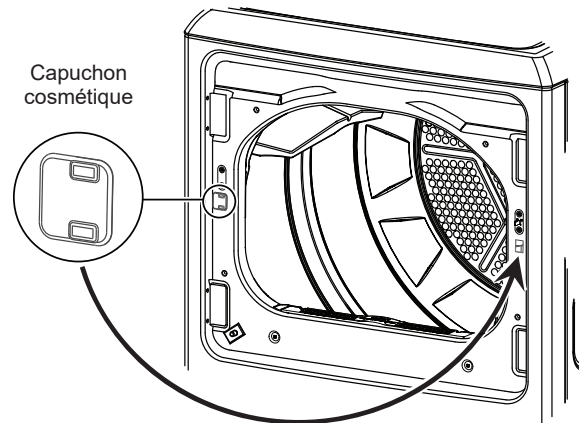
- 4 Desserrez chaque vis de charnière supérieure sur le côté droit. Retirez la porte et placez-la sur une surface plate protégée pour prévenir les dommages.



- 5 Retirez la plaque aveugle et la gâche et installez-les dans les positions opposées.



- 6 Retirez le capuchon cosmétique en plastique et installez-le de l'autre côté du panneau frontal.

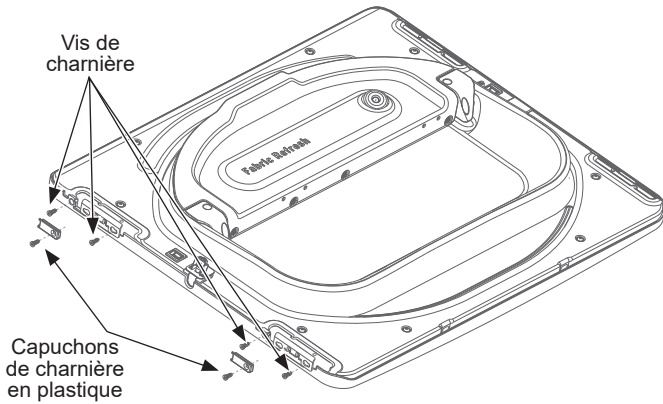


# Instructions d'installation

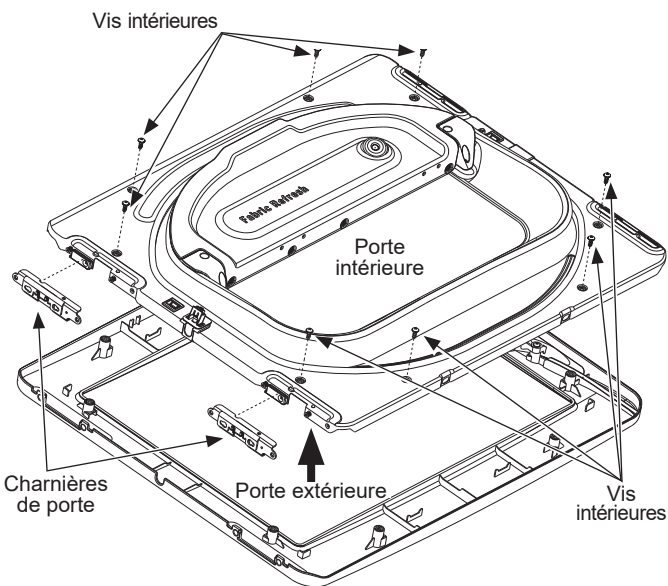
## INVERSION DE L'OUVERTURE DE LA PORTE (Optionnel)

### B MODÈLES AVEC CARACTÉRISTIQUE DE RAFRAÎCHISSEMENT DES TISSUS

- 7 Retirez les deux (2) capuchons de charnière en plastique et quatre (4) vis de charnière.



- 8 Retirez huit (8) vis intérieures. Levez la porte intérieure à l'aide d'un tournevis à lame plate. Retirez les 2 charnières de porte.



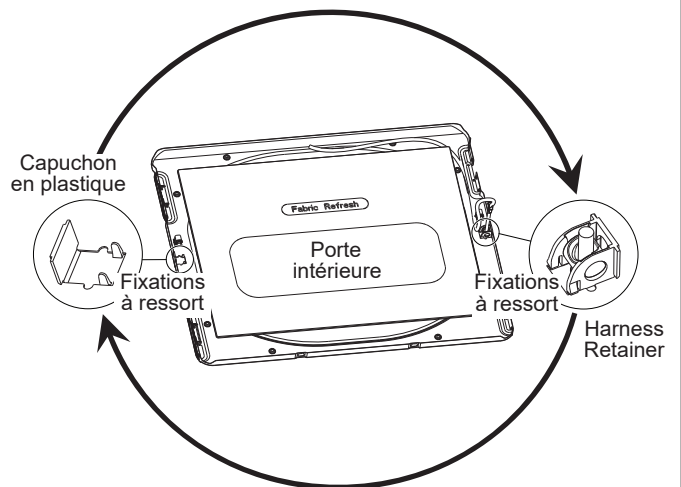
### B MODÈLES AVEC CARACTÉRISTIQUE DE RAFRAÎCHISSEMENT DES TISSUS

- 9 Tournez la porte intérieure sur 180°.

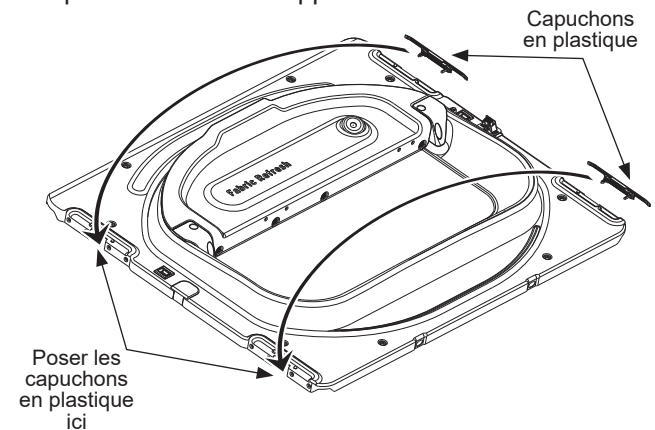
Détachez le dispositif de retenue de la charnière en pressant les fixations à ressort et sortez-le. Tournez-le et installez-le sur le côté opposé.

**IMPORTANT** : Acheminez sa charnière derrière la vitre.

Retirez le capuchon en plastique en pressant les fixations à ressort et sortez-le. Tournez-le et installez-le sur le côté opposé.



- 10 Retirez les deux capuchons en plastique et posez-les du côté opposé.

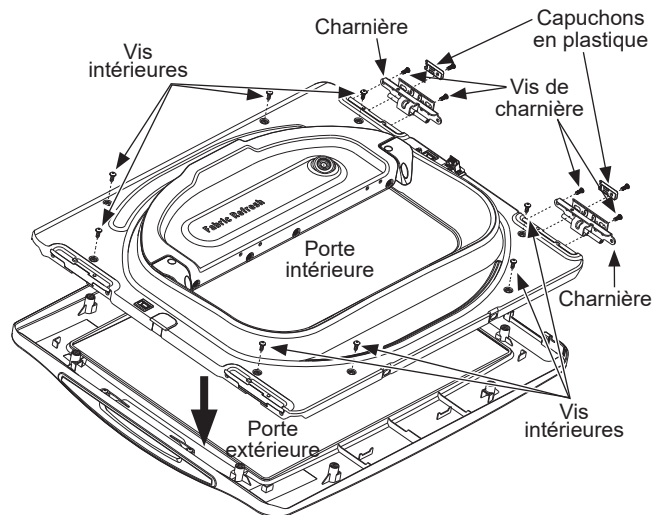


# Instructions d'installation

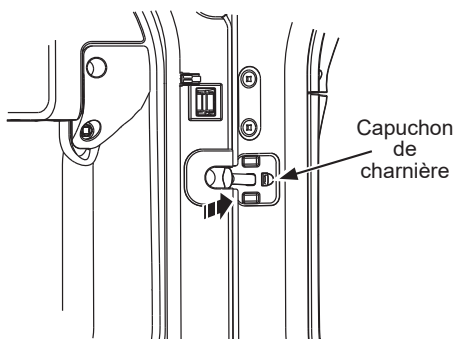
## INVERSION DE L'OUVERTURE DE LA PORTE (Optionnel)

### B MODÈLES AVEC CARACTÉRISTIQUE DE RAFRAÎCHISSEMENT DES TISSUS

- 11 Faites pivoter la porte extérieure de 180°. Mettez les charnières en place, assurez-vous de poser les charnières sur le côté qui se trouve à l'opposé de la poche. Réinstallez la porte intérieure dans le cadre de la porte extérieure et fixez avec les vis retirées à l'étape 8. Vissez les charnières de la porte et insérez les capuchons de charnière.

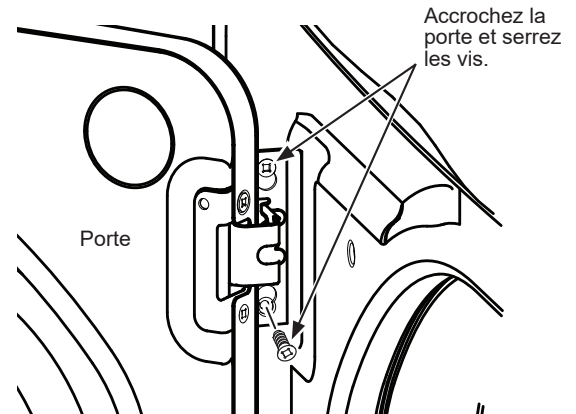


- 12 Installez le capuchon de charnière sur le panneau frontal.

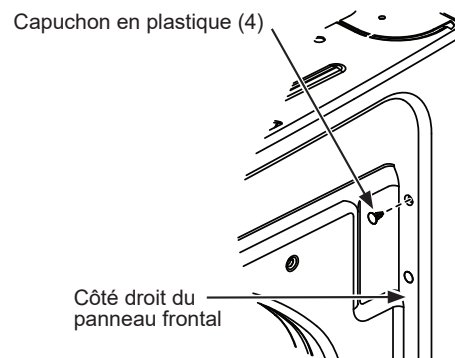


### B MODÈLES AVEC CARACTÉRISTIQUE DE RAFRAÎCHISSEMENT DES TISSUS

- 13 Montez la porte assemblée sur les deux (2) vis de charnière du côté gauche supérieur installées à l'étape 2. Déplacez les vis de charnière desserrées à l'étape 2 dans les trous de vis du côté gauche inférieur et serrez fermement les quatre (4) vis.



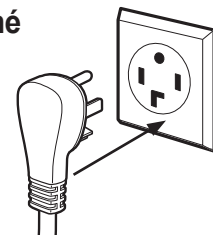
- 14 Installez les quatre (4) capuchons en plastique (retirés à l'étape 1) dans les quatre (4) trous du panneau frontal sur le côté droit.



**REMARQUE :** Pour remettre la porte dans sa position initiale, suivez ces instructions en permutant les mots « gauche » et « droite ».

### Lorsque vous avez terminé

Branchez la sècheuse dans une prise électrique.



# Instrucciones de instalación

# Secadora

Si tiene alguna pregunta, llame GE Appliances a 800.GE.CARES (800.432.2737) o visite nuestro sitio Web en: [GEAppliances.com](http://GEAppliances.com)

## ANTES DE COMENZAR

Lea estas instrucciones por completo y con detenimiento.

- **IMPORTANTE** – Guarde estas instrucciones para el uso de inspectores eléctricos locales.
- **IMPORTANTE** – Cumpla con todos los códigos y ordenanzas vigentes.
- Instale la secadora de acuerdo con las instrucciones del fabricante y los códigos locales.
- **Nota al instalador** – Asegúrese de dejar estas instrucciones con el consumidor.
- **Nota al usuario** – Conserve estas instrucciones para referencia futura.
- La instalación de la secadora debe efectuarla un instalador calificado.
- Esta secadora debe tener una salida al exterior.
- Antes de que la secadora antigua sea retirada del servicio o eliminada, quítele la puerta.
- La información sobre reparaciones y el diagrama del cableado se encuentran en la consola de control.
- No permita que niños se suban o se metan dentro del artefacto. Se requiere una supervisión estricta cuando el aparato es utilizado cerca de niños.
- El instalador tiene la responsabilidad de efectuar una instalación adecuada.
- La garantía no cubre las fallas del producto debido a una instalación incorrecta.
- Instale la secadora en lugares donde la temperatura sea mayor a 50°F para un funcionamiento satisfactorio del sistema de control de la secadora.
- Quite y descarte el conducto existente de plástico o de papel de aluminio y coloque un conducto aprobado por UL.

## ⚠ ADVERTENCIA

### - Riesgo de incendios

- La instalación de la secadora debe efectuarla un instalador calificado.
- Instale la secadora de ropa de acuerdo con estas instrucciones y en cumplimiento con los códigos locales.
- **NO** instale una secadora de ropa con conductos de plástico flexible. Si se instala un conducto flexible de metal (semi rígido o de tipo papel de aluminio), debe estar aprobado por UL e instalarse de acuerdo con las instrucciones de “Cómo conectar la secadora a la ventilación doméstica” de este manual. Los materiales de los conductos flexibles a menudo se desploman, se aplastan y atrapan pelusas. Estas condiciones obstruyen la corriente de aire de la secadora e incrementan el riesgo de incendio.
- **NO** instale o almacene este aparato en un lugar donde se vea expuesto al agua o a las inclemencias del tiempo.
- Para reducir el riesgo de una lesión grave o de muerte, cumpla con todas las instrucciones de instalación.
- Guarde estas instrucciones. (Instaladores: Asegúrense de dejar estas instrucciones al consumidor).

## SECADORAS A GAS ÚNICAMENTE

**En la Mancomunidad de Massachusetts, se aplican las instrucciones de instalación siguientes:**

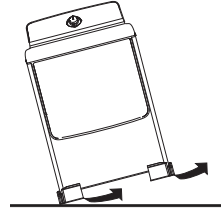
- Este producto debe instalarlo un plomero matriculado o un instalador de gas.
- Cuando use válvulas esféricas de apagado de gas, deberán ser del tipo de manija en T.
- Si se usa una conexión flexible para gas, ésta no debe superar 1,22 m (4 pies).

# Instrucciones de instalación

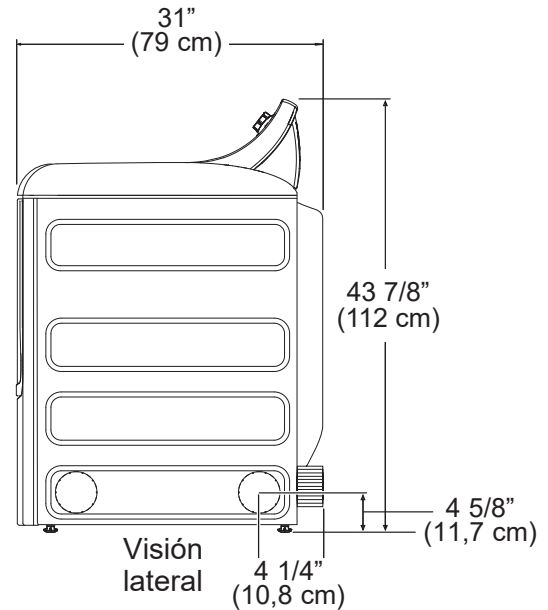
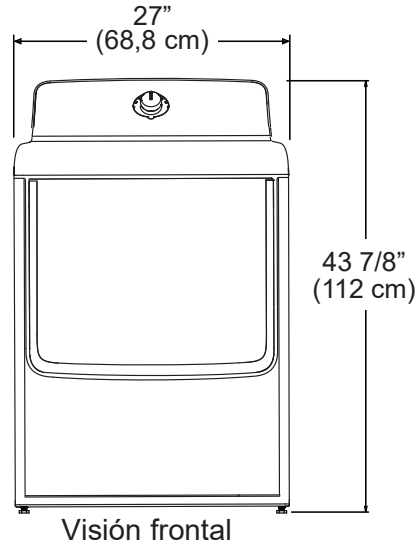
## CÓMO DESEMPACAR LA SECADORA

Incline la secadora de costado y saque los paños de espuma de embalaje tirando de los costados y quitándolos de las patas de la secadora. Asegúrese de quitar todas las piezas de espuma de las patas.

Saque la bolsa que contiene la información.



## DIMENSIONES DE LA SECADORA



## ACCESORIOS:

Ordene hoy a través de Internet en [GEApplianceparts.com](http://GEApplianceparts.com), las 24 horas del día o en forma telefónica llamando al **877.959.8688**, durante el horario comercial habitual.

Número de Pieza	Accesorio
PM14X10056	Cepillo de ventilación de la abertura de la puerta de la secadora
WX14X10007	Cepillo con tubería giratoria LintEater™
PM08X10085	Ducto de transición de metal flexible

## MANGUERA DE VAPOR Y AGUA (sólo para los modelos de secadoras de vapor):

GE Appliances recomienda enfáticamente el uso de piezas específicas de fábrica. A continuación figura una lista de mangueras de fábrica que podrá adquirir. Dichas mangueras son fabricadas y probadas de modo que se cubran las especificaciones de GE Appliances.

GE Appliances recomienda enfáticamente el uso de nuevas mangueras de suministro de agua. Con el paso del tiempo, las mangueras se degradan y deben ser reemplazadas cada 5 años, a fin de reducir el riesgo de fallas sobre las mismas y daños con el agua.

### Piezas y Accesorios

Ordene hoy a través de Internet en [GEApplianceparts.com](http://GEApplianceparts.com), las 24 horas del día o en forma telefónica llamando al **877.959.8688**, durante el horario comercial habitual.

Número de Pieza	Accesorio
WE25X20060	Kit Completo (mangueras, adaptador en Y, arandelas) <b>o</b>
WE49X25794	Kit (Manguera corta, adaptador en Y, arandelas) <b>y</b>
WE1M847	Manguera Larga
<b>O POR SEPARADO</b>	
WE1M847	Manguera Larga <b>y</b>
WE1M848	Manguera Corta

# Instrucciones de instalación

## REQUERIMIENTOS PARA INSTALACIÓN EN NICHOS O ARMARIOS

### **ADVERTENCIA** - Riesgo de explosión

Mantenga cualquier material y vapores inflamables, tales como gasolina, alejados de la secadora.

Coloque la secadora a por lo menos 18" (46 cm.) del piso cuando sea instalada en un garaje.

Si no se cumple con esto, se podrá producir una explosión, incendio o la muerte.

- Esta secadora DEBE tener una ventilación al exterior.
- El espacio libre mínimo entre el armario de la secadora y las paredes adyacentes u otras superficies es:
  - 0" (0 cm) sobre ambos lados\*
  - 1" (2,54 cm) sobre el frente
  - 1" (2,54 cm) la parte trasera
  - 1" (2,54 cm) superior

\*Para mejorar el desempeño, se sugiere un espacio libre de 1/2" (12,7 mm) en cada lado.

- La parte posterior de la secadora debe mirar hacia una pared.
- Se deberá considerar que se debe brindar el despeje adecuado para la instalación y el servicio técnico.
- Las puertas del armario deben contar con rejillas u otro tipo de ventilación y tener por lo menos 60 pulgadas cuadradas (387 cm<sup>2</sup>) de espacio abierto. Si el armario incluye una lavadora y una secadora, las puertas deben contener un mínimo de 120 pulgadas cuadradas (774 cm<sup>2</sup>) de espacio abierto.

**NOTA:** CUANDO EL CONDUCTO DE SALIDA ESTÁ UBICADO EN LA PARTE TRASERA DE LA SECADORA, LA CONFIGURACIÓN DEL DUCTO PODRÍA REQUERIR DETRÁS UN CLARO MAYOR.

### **Secadoras a Gas Únicamente:**

- No se deberá instalar ningún otro electrodoméstico que consuma combustible en el mismo armario donde haya una secadora a gas.
- La secadora se deberá desconectar de la tubería de suministro de gas durante la prueba de presión en presiones superiores a 1/2 psi (3.5 kPa).
- Una rosca cubierta NPT de 1/8" (3,2 mm), accesible para la conexión de un dispositivo de calibración, deberá ser instalada inmediatamente arriba de la conexión del suministro de gas a la secadora.

## ESPACIO LIBRE MÍNIMO EN OTROS ESPACIOS QUE NO SEAN INSTALACIONES EN NICHOS O ARMARIOS

Los espacios libres mínimos respecto de superficies combustibles y de aberturas de aire son: 0" (0 cm) a ambos lados\*, 1" (2,54 cm) en la parte trasera y 1" (2,54 cm) superior.

\*Para mejorar el desempeño, se sugiere un espacio libre de 1/2" (12,7 mm) en cada lado.

La parte posterior de la secadora debe mirar hacia una pared.

Debe tenerse en cuenta un espacio libre adecuado para un funcionamiento y reparación correctos.

## INSTALACIÓN EN CASAS MÓVILES O PREFABRICADAS

- Instalación DEBE cumplir con la NORMA SOBRE CONSTRUCCIÓN Y SEGURIDAD DE CASAS PREFABRICADAS, TÍTULO 24, PARTE 3280 o NORMA PARA CASAS RODANTES CAN/CSA-Z240 MH, o, cuando dicha norma no sea aplicable, con la NORMA NACIONAL ESTADOUNIDENSE PARA CASAS MÓVILES, ANSI/NFPA N° 501B.
- La secadora DEBE tener ventilación al exterior.
- La ventilación del escape DEBERÁ estar ajustado de forma segura a una parte no combustible de la casa rodante.
- La ventilación NO DEBE terminar debajo de una casa móvil o prefabricada.
- El material del conducto de ventilación DEBE SER METAL.
- DEBE utilizarse el KIT 14-D346-33 para conectar bien la secadora a la estructura.
- La ventilación NO DEBE conectarse a ningún otro conducto, ventilación o chimenea.
- NO utilice tornillos para placas de metal u otros dispositivos de sujeción que se extiendan al interior de la ventilación de salida.
- Debe contar con una abertura con un espacio libre de por lo menos 25 pulgadas cuadradas (63 cm<sup>2</sup>) para el ingreso de aire exterior dentro de la secadora habitación.
- Para acceder a información sobre la conexión eléctrica, consulte la sección.

# Instrucciones de instalación

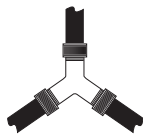
## CÓMO CONECTAR MANGUERAS DE ENTRADA (sólo para los modelos de secadoras de vapor)

### CÓMO CONECTAR MANGUERAS DE ENTRADA

Para producir vapor, la secadora debe conectarse al suministro de agua fría. Ya que la lavadora también debe conectarse al agua fría, debe introducirse un conector en "Y" para permitir que ambas mangueras de entrada puedan utilizarse al mismo tiempo.

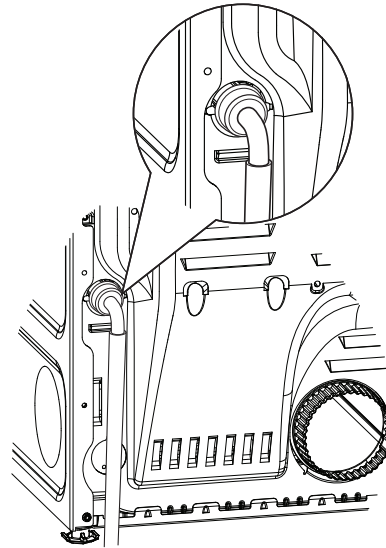
**NOTA:** Utilice nuevas mangueras de entrada; nunca utilice mangueras viejas.

1. Cierre el grifo de agua fría. Quite la manguera de entrada de la lavadora del conector de la válvula de llenado (fría).
2. Asegúrese de que la arandela plana de goma se encuentre en su lugar y sujete una unión hembra de la manguera corta provistas en el conector de la válvula de llenado de la lavadora. Ajuste a mano hasta que esté firmemente asentada.
3. Sujete un extremo macho del conector en "Y" a la unión hembra de la manguera corta. Asegúrese de que la arandela plana de goma se encuentre en su lugar. Ajuste a mano hasta que esté firmemente asentada.



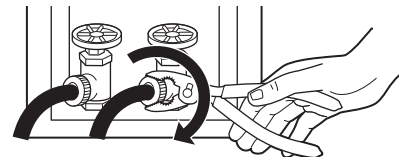
4. Introduzca el filtro en la unión de la manguera de entrada de la **lavadora**. Si la arandela plana de goma ya se encuentra en su lugar, quítela antes de instalar el filtro. Sujete esta unión a un extremo macho del conector en "Y". Ajuste a mano hasta que esté firmemente asentada.
5. Asegúrese de que la arandela de goma plana se encuentra en su posición y coloque una manguera de entrada de agua de 4 pies (1,2 m) a 6 pies (1,8 m) de largo (puede ser necesario comprarla por separado) a un extremo macho del conector "Y". Apriete con la mano hasta que quede firmemente asentado.
6. Asegúrese de que la arandela plana de goma se encuentre en su lugar y sujete el otro extremo de la manguera larga de entrada al conector de la válvula de llenado en la parte inferior del panel trasero de la **secadora**. Ajuste a mano hasta que esté firmemente asentada.

### CÓMO CONECTAR MANGUERAS DE ENTRADA (cont.)



7. Utilizando alicates, ajuste todas las uniones con un giro adicional de dos tercios.

**NOTA:** No ajuste de más. Pueden dañarse las uniones.



8. Abra el grifo de agua.
9. Controle la presencia de pérdidas alrededor del conector en "Y", el grifo y las uniones de las mangueras.

### REQUISITOS DE SUMINISTRO DE AGUA

Los grifos de agua caliente y fría **DEBEN** instalarse dentro de las 42 pulg. (107 cm) de la entrada de agua de la lavadora. Los grifos **DEBEN** ser del tipo de manguera de jardín de 3/4" (19,1 mm) para que las mangueras de entrada puedan conectarse. La presión de agua **DEBE** hallarse entre 10 y 120 libras por pulgada cuadrada. La compañía de agua puede informarle sobre la presión de agua.

**NOTA:** Se recomienda el uso de un suavizante de agua para reducir la acumulación de sarro dentro del generador de vapor si el suministro doméstico contiene agua muy dura.



# Instrucciones de instalación

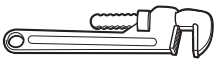
## CÓMO CONECTAR UNA SECADORA A GAS (si se cuenta con una secadora eléctrica, saltar este paso)

### HERRAMIENTAS NECESARIAS

- Llaves ajustables de 10" (25,40 cm) (2)



- Llave para tubos de 8" (20,32 cm)



- Destornillador de lados planos



- Pinzas



- Nivel



### MATERIALES NECESARIOS

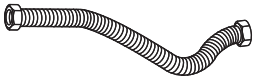
- Codo de metal de 4" (10,2 cm) diámetro



- Compuesto o PTFE cinta para tuberías



- Conector de tubería de gas flexible



- Abrazaderas de tubería (2) o abrazaderas de resorte (2)



- Gafas de seguridad



- Conducto de metal de 4" (10,2 cm) diámetro (recomendado)



- Conducto de metal flexible de 4" (10,2 cm) diámetro (si fuese necesario)



- Guantes



- Solución jabonosa para detección de pérdidas



- Campana de salida



- Cinta aislante



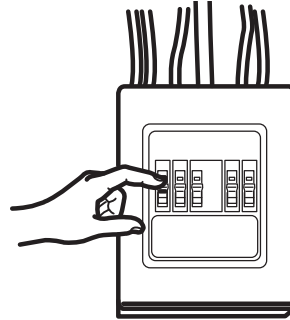
- Gas adaptador (2), codo y tapón de tubería



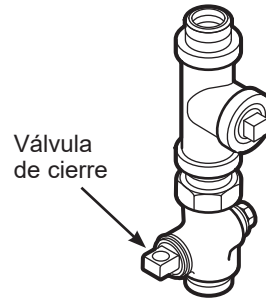
- 4" Placa de cubierta Kit WE49X22606 (si fuese necesario)



- Antes de comenzar la instalación, apague el disyuntor o quite los fusibles de la secadora de la caja eléctrica. Verifique que el cable de la secadora esté desenchufado del tomacorriente.



- Gire a la posición OFF (apagado) la válvula de gas de la secadora de la línea de suministro.



- Desconecte y elimine el conector flexible de gas y el material del conducto.



# Instrucciones de instalación

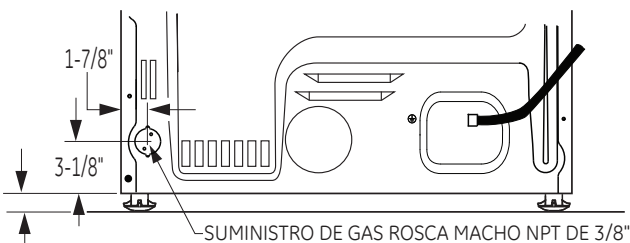
## CÓMO CONECTAR UNA SECADORA A GAS (cont.)

### REQUERIMIENTOS DE GAS

#### **⚠ ADVERTENCIA** - Riesgo de explosión

- Use una línea nueva de suministro de gas flexible que esté aprobada por CSA International. Nunca vuelva a usar conectores flexibles viejos.
  - Instale una válvula de cierre manual individual dentro de 6 pies de la secadora en acuerdo con el Código Nacional de Gas Combustible, ANSI Z223.1 / NFPA 54.
  - De forma segura ajuste todas las conexiones de gas.
  - Si la conexión fue realizada a gas LP, solicite a una persona calificada que le asegure que la presión del gas **NO** supera una columna de agua de 13" (33 cm).
  - Ejemplos de una persona calificada incluyen: Personal de calefacción calificado, personal autorizado de una compañía de gas, y personal autorizado del servicio técnico.
  - Si no se cumple con esto, se podrá producir la muerte, una explosión o incendio.
- La instalación deberá ser conforme con los códigos locales, o en ausencia de los códigos locales, con el Código Nacional de Gas Combustible (National Fuel Gas Code), ANSI Z223.1/NFPA 54, o el Código de Instalación de Gas Natural o Propano (Natural Gas and Propane Installation Code), CSA B149.1.

### CONEXIÓN DE SUMINISTRO DE GAS DE LA SECADORA



NOTA: Agregue a la dimensión vertical la distancia entre la parte inferior del gabinete y el piso.

Debe utilizar un conector flexible metálico listado por ANSI Z21.24/CSA 6.10. La longitud del conector no excederá 4 pies (1,2 m).

### SUMINISTRO DE GAS

- Debe instalarse una toma a rosca de 1/8" (3,2 mm) NPT, accesible para una conexión del manómetro de prueba, inmediatamente en sentido ascendente de la conexión de suministro de gas hacia la secadora. Si tiene dudas sobre la instalación de la toma, comuníquese con su empresa proveedora de gas local.
- La línea de suministro debe ser de tubería rígida de 1/2" (12,7 mm) y debe contar con un cierre accesible dentro de los 6 pies (1,8 m) de la secadora, dentro de la misma habitación donde se encuentra la misma.
- Utilice compuesto para rosca de tubería apropiado para gas natural o LP o utilice cinta de PTFE.
- Una el conector de metal flexible a la secadora y al suministro de gas.

#### **⚠ ADVERTENCIA** - Riesgo de incendio

#### PARA USO EXCLUSIVAMENTE CON GAS NATURAL

La secadora, tal como está hecha por el fabricante, es para ser utilizada sólo con un suministro de gas natural. Para convertir esta secadora para el suministro de gas propano se requiere un kit de conversión suministrado por el fabricante. Utilice el kit de conversión de gas propano WE25M87. La conversión debe ser realizada por un personal debidamente capacitado y cualificado, de acuerdo con los códigos y ordenanzas locales.

### AJUSTE PARA ELEVACIÓN

- Los niveles de entrada de las secadoras de ropa a gas están basados en el funcionamiento al nivel de mar y no necesitan ajustes para funcionar en o por debajo de los 2000 pies (610 m) de elevación. Para un funcionamiento a más de 2000 pies (610 m) de elevación, los niveles de entrada se deberían reducir a un promedio del 4 por ciento por cada 1000 pies (305 m) sobre el nivel del mar.
- La instalación debe cumplir con los códigos y ordenanzas locales, o en su ausencia, con el CÓDIGO NACIONAL DE GAS COMBUSTIBLE (NATIONAL FUEL GAS CODE), ANSI Z223.

# Instrucciones de instalación

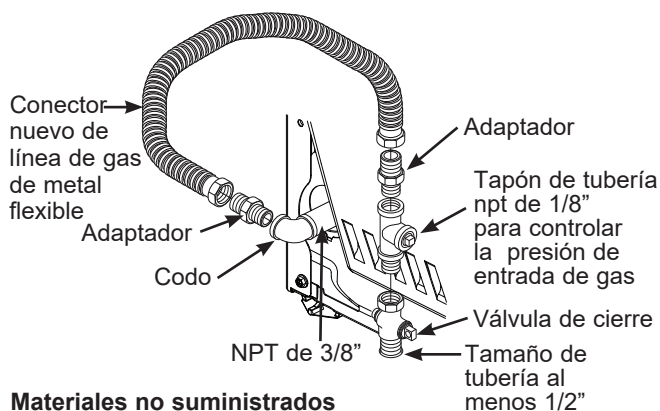
## CÓMO CONECTAR UNA SECADORA A GAS (cont.)

### CÓMO CONECTAR LA SECADORA AL SUMINISTRO DE GAS

- A** Instale un codo hembra NPT de 3/8" (9,6 mm) al final de la entrada de gas de la secadora. Instale un adaptador de unión cónica de 3/8" (9,6 mm) al codo hembra.

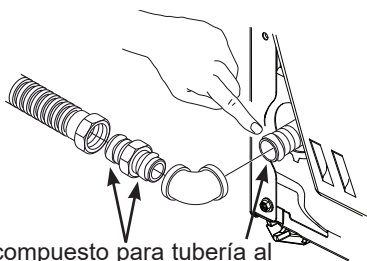
**IMPORTANTE:** Utilice una llave para tubos para sostener bien el extremo de la entrada de gas de la secadora para no doblar la entrada.

**NOTA:** Aplique compuesto para tubería o cinta PTFE a las roscas del adaptador y la entrada de gas de la secadora.



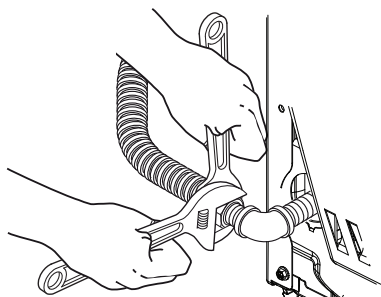
#### Materiales no suministrados

- B** Una el conector de tubería de gas de metal flexible al adaptador.



Aplique compuesto para tubería al adaptador y a la entrada de gas de la secadora.

- C** Ajuste la conexión de tubería flexible de gas, utilizando dos llaves ajustables.

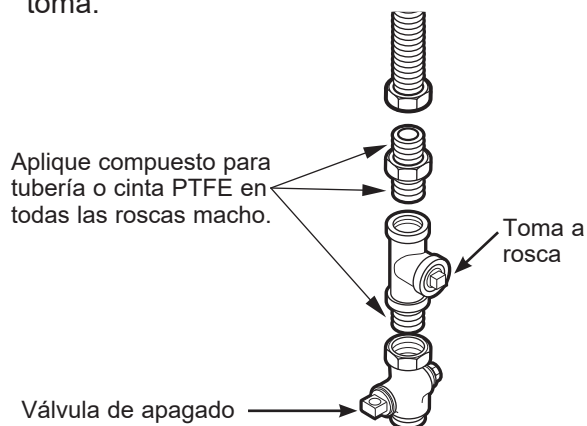


### CÓMO CONECTAR LA SECADORA AL SUMINISTRO DE GAS (cont.)

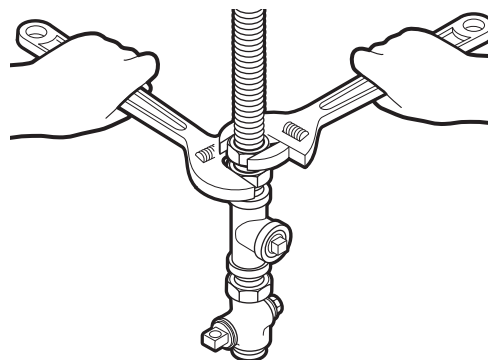
- D** Instale una toma a rosca de 1/8" (3,2 mm) NPT en la válvula de apagado de la tubería de gas de la secadora para controlar la presión de gas en la entrada.

Instale un adaptador de unión cónica en la toma a rosca.

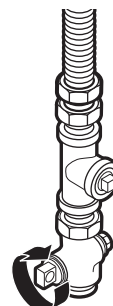
**NOTA:** Aplique compuesto para tubería o cinta PTFE a las roscas del adaptador y a la toma.



- E** Ajuste todas las conexiones mediante dos llaves ajustables. **No ajuste de más.**



- F** Cierre la válvula de apagado del gas.



# Instrucciones de instalación

## CÓMO CONECTAR UNA SECADORA A GAS (cont.)

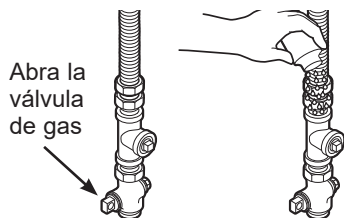
### PRUEBA DE PÉRDIDAS

Nunca utilice una llama abierta para detectar pérdidas de gas.

Controle todas las conexiones con una solución jabonosa o un elemento equivalente.

Aplique una solución jabonosa. La solución para controlar pérdidas no debe contener amoníaco, ya que este producto puede dañar los accesorios de bronce.

Si se detectan pérdidas, cierre la válvula, vuelva a ajustar la junta y repita la prueba de la solución jabonosa.



### CONEXIÓN ELÉCTRICA INFORMACIÓN SOBRE LAS SECADORAS A GAS

#### **⚠ ADVERTENCIA** - Riesgo de Descarga Eléctrica

Enchufe en un tomacorriente con conexión a tierra de 3 cables.

**NO** retire la conexión a tierra.

**NO UTILICE** un cable de extensión.

**NO UTILICE** un enchufe adaptador con este artefacto.

Si no cumple con esto, se podrá producir la muerte, incendio o descarga eléctrica.

- Circuito - individual, correctamente polarizado y conectado a tierra, interruptor de 15 o 20 amperios o un fusible de retardo.

- Potencia - 2 hilos más la tierra, 120 voltios, monofásica, 60 Hz, corriente alterna.

- Tomacorriente de salida - Receptáculo de 3 clavijas debidamente conectado a tierra, deberán colocarse de modo que el cable de alimentación esté accesible cuando la secadora está instalada en su posición final. Si el circuito tiene un receptáculo de 2 clavijas, es responsabilidad del propietario de reemplazarlo con un receptáculo de 3 clavijas debidamente conectado a tierra por un electricista autorizado.



### CONEXIÓN ELÉCTRICA INFORMACIÓN SOBRE LAS SECADORAS A GAS (cont.)

- La secadora debe estar conectada a tierra según los códigos y ordenanzas locales, o, en ausencia de tales códigos, según la última edición del Código Eléctrico Nacional, ANSI/NFPA NO. 70 o del Código Eléctrico Canadiense, CSA C22.1. Consulte con un electricista calificado si no está seguro de que la secadora esté correctamente conectada a la tierra.

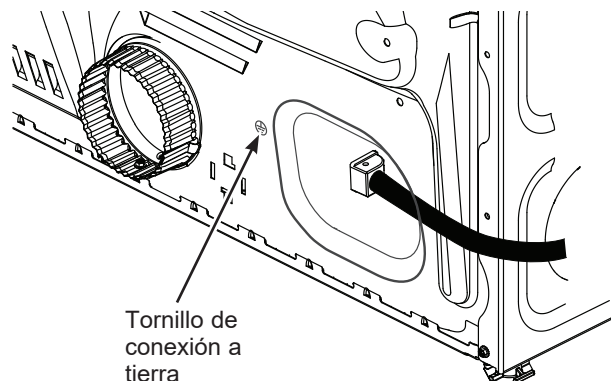
### INSTRUCCIONES DE CONEXIÓN A TIERRA

Este secadora deberá estar conectado a tierra. En caso de mal funcionamiento o avería, la conexión a tierra reducirá el riesgo de descargas eléctricas al brindar un camino con una resistencia menor para la corriente eléctrica. Este secadora está equipada con un cable con un conductor para la conexión a tierra del equipo y un enchufe con conexión a tierra. El enchufe deberá estar conectado a un tomacorriente instalado en forma adecuada y con conexión a tierra de acuerdo con todos los códigos y ordenanzas locales.

**⚠ ADVERTENCIA** Una conexión inapropiada del conductor de conexión a tierra del equipo puede provocar riesgos de descargas eléctricas. Consulte a un electricista calificado o personal o representantes del servicio técnico si tiene dudas de que el electrodoméstico se encuentre conectado a tierra apropiadamente. **NO** modifique el enchufe en el cable de suministro de corriente. Si no coincide con la toma de corriente, contrate a un electricista calificado para que instale una toma de corriente en forma adecuada.

### GUARDE ESTAS INSTRUCCIONES

- Si los códigos locales lo requieren, se puede añadir un hilo de cobre externo de conexión a tierra de calibre 18 o más. Conecte el cable a la parte posterior del gabinete de la secadora con tornillos de plancha # 8-18 x 1/2" (12,7 mm) (disponible en cualquier ferretería) como se ilustra.







# Instrucciones de instalación





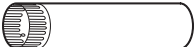
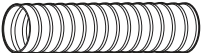



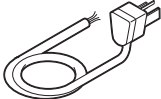

## CÓMO CONECTAR UNA SECADORA ELECTRICA

(Sáltese si se trata de las secadoras a gas o si su secadora ya tiene un cable de alimentación conectado)

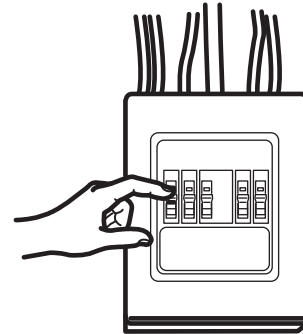
### HERRAMIENTAS NECESARIAS

- Pinzas 
- Destornillador de lados planos 
- Destornillador Phillips 
- Nivel 

### MATERIALES NECESARIOS

- Codo de metal de 4" (10,2 cm) de diámetro 
- Abrazadera metálica con amortiguador de refuerzo (reconocido por UL) 
- Abrazaderas de tubería de 4" (10,2 cm) (2) o abrazaderas de resorte de 4" (10,2 cm) (2) 
- Gafas de seguridad 
- Conducto de metal de 4" (10,2 cm) de diámetro (recomendado) 
- Conducto de metal flexible de 4" (10,2 cm) de diámetro (si fuese necesario) 
- Guantes 
- Campana de salida 
- Cinta aislante 
- Kit de cable de energía de la secadora (no incluido con la secadora) Clasificado UL, de 120/240V, 30A con 3 o 4 patas. Identifique el tipo de enchufe según el tomacorriente de la vivienda antes de comprar el cable. 
- 4" Placa de cubierta Kit WE49X22606 (si fuese necesario) 

Antes de efectuar la conexión eléctrica, desactive los disyuntores o quite los fusibles del circuito de la secadora de la caja eléctrica. Verifique que el cable de la secadora esté desenchufado del tomacorriente. **NUNCA OLVIDE DE VOLVER A COLOCAR LA TAPA DE ACCESO DEL BLOQUE TERMINAL.**



### ⚠ ADVERTENCIA - Riesgo de Descarga Eléctrica

Desconecte el suministro de corriente antes de realizar el servicio técnico.  
Reemplace todas las piezas y paneles antes de utilizar.  
Si no cumple con esto, se podrá producir la muerte o descarga eléctrica.

### CABLES DE CORRIENTE

GE Appliances recomienda enfáticamente el uso de piezas específicas de fábrica. Seleccione el cable de corriente que se adecúe a sus requisitos de instalación.

**NOTA:** Si el circuito de su secadora está en un circuito protegido por un interruptor GFCI, no se permite la instalación de un cable de 3 hilos. El cableado de la casa y la secadora deben configurarse para cables de 4 hilos.

No. de parte	Tipo	Longitud	Amperios
WX9X2	3-Clavijas	4 Pies (1,2 m)	30
WX9X3	3-Clavijas	5 Pies (1,5 m)	30
WX9X4	3-Clavijas	6 Pies (1,8 m)	30
WX9X18	4-Clavijas	4 Pies (1,2 m)	30
WX9X19	4-Clavijas	5 Pies (1,5 m)	30
WX9X20	4-Clavijas	6 Pies (1,8 m)	30

Solicítelos on-line hoy mismo a **GEApplianceparts.com**, las 24 horas del día o por teléfono al **877.959.8688** en horario normal de trabajo.

## CONEXIÓN ELÉCTRICA INFORMACIÓN SOBRE LAS SECADORAS ELÉCTRICAS

### Para realizar conexiones eléctricas con un cable de corriente:


**NOTA:** Si el circuito de su secadora está en un circuito protegido por un interruptor GFCI, no se permite la instalación de un cable de 3 hilos. El cableado de la casa y la secadora deben configurarse para cables de 4 hilos.

#### **ADVERTENCIA** - Riesgo de incendio

Use un cable de suministro de corriente de la secadora de 30 amperes y 240V de la lista de UL, con terminales de anillo cerradas o terminales de espada con extremos al revés. Use un amortiguador con refuerzo de la lista de UL. Desconecte la corriente antes de realizar conexiones eléctricas. Conecte el cable neutro (el blanco o el cable central) a la terminal central. El cable a tierra (verde o pelado) se deberá conectar al conector a tierra verde. Conecte los dos cables de suministro restantes a las dos terminales restantes. De forma segura ajuste todas las conexiones eléctricas. Reemplace la tapa del bloque terminal. Si no cumple con esto, se podrá producir la muerte, incendio o descarga eléctrica.

### INSTRUCCIONES DE CONEXIÓN A TIERRA

**Para una secadora conectada con cable con conexión a tierra:** Esta secadora deberá estar conectado a tierra. En caso de mal funcionamiento o avería, la conexión a tierra reducirá el riesgo de descargas eléctricas al brindar un camino con una resistencia menor para la corriente eléctrica. Esta secadora está equipada con un cable con un conductor para la conexión a tierra del equipo y un enchufe con conexión a tierra. El enchufe deberá estar conectado a un tomacorriente instalado en forma adecuada y con conexión a tierra de acuerdo con todos los códigos y ordenanzas locales.

 **ADVERTENCIA** Una conexión inapropiada del conductor de conexión a tierra del equipo puede provocar riesgos de descargas eléctricas. Consulte a un electricista calificado o personal o representantes del servicio técnico si tiene dudas de que el electrodoméstico se encuentre conectado a tierra apropiadamente. **NO** modifique el enchufe en el cable de suministro de corriente. Si no coincide con la toma de corriente, contrate a un electricista calificado para que instale una toma de corriente en forma adecuada.

**GUARDE ESTAS INSTRUCCIONES**

#### **ADVERTENCIA** - Riesgo de Descarga Eléctrica

**PARA EVITAR DESCARGAS ELÉCTRICAS, DESCONECTE LA ALIMENTACION ELÉCTRICA ANTES DE REALIZAR EL SERVICIO.**

Esta secadora debe conectarse a un circuito derivado individual con un cable de cobre de calibre mínimo 10 a través de un fusible de 30 amperios o un interruptor de circuito. **NUNCA** meter un fusible en el cable neutro. Use solo conductores de cobre.

## CONEXIÓN ELÉCTRICA INFORMACIÓN SOBRE LAS SECADORAS ELÉCTRICAS

### Para conexiones directas de cables:

#### **ADVERTENCIA** - Riesgo de incendio

Use un cable de cobre con calibre de 10. Use un amortiguador con refuerzo de la lista de UL. Desconecte la corriente antes de realizar conexiones eléctricas. Conecte el cable neutro (el blanco o el cable central) a la terminal central. El cable a tierra (verde o pelado) se deberá conectar al conector a tierra verde. Conecte los dos cables de suministro restantes a las dos terminales restantes. De forma segura ajuste todas las conexiones eléctricas. Reemplace la tapa del bloque terminal. Si no cumple con esto, se podrá producir la muerte, incendio o descarga eléctrica.

### INSTRUCCIONES DE CONEXIÓN A TIERRA

**Para una secadora conectada de forma permanente:** Esta secadora debe estar conectada a un sistema de cableado de metal permanente con conexión a tierra o se debe tender un conductor para la conexión a tierra del equipo con los conductores del circuito y ser conectado al terminal de tierra del electrodoméstico.

 **ADVERTENCIA** Una conexión inapropiada del conducto de conexión a tierra del equipo puede provocar riesgos de descargas eléctricas. Consulte a un electricista calificado o personal o representantes del servicio técnico si tiene dudas de que el electrodoméstico se encuentre conectado a tierra apropiadamente.

**GUARDE ESTAS INSTRUCCIONES**

#### **ADVERTENCIA** - Riesgo de Descarga Eléctrica

**PARA EVITAR DESCARGAS ELÉCTRICAS, DESCONECTE LA ALIMENTACION ELÉCTRICA ANTES DE REALIZAR EL SERVICIO.**

Esta secadora debe conectarse a un circuito derivado individual con un cable de cobre de calibre mínimo 10 a través de un fusible de 30 amperios o un interruptor de circuito. **NUNCA** meter un fusible en el cable neutro. Use solo conductores de cobre.

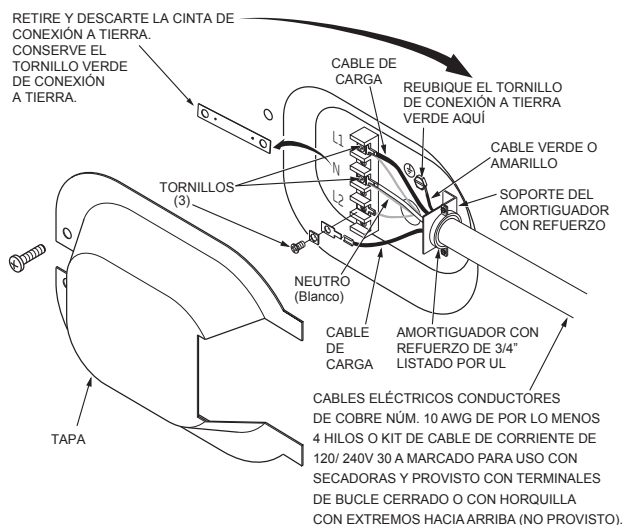
# Instrucciones de instalación

## CÓMO CONECTAR UNA SECADORA ELECTRICA

### CÓMO CONECTAR LA SECADORA USANDO UNA CONEXIÓN DE 4 CABLES (DEBE UTILIZARSE EN INSTALACIONES DE CASAS RODANTES)

**NOTA:** Desde el 1 de enero de 1996, el Código Eléctrico Nacional exige que las nuevas construcciones utilicen una conexión de 4 cables a una secadora eléctrica. También debe usarse un cable de 4 alambres cuando los códigos locales no permiten una conexión a tierra a través de cable neutral.

NO debe usarse una conexión de tres cables en una construcción nueva.

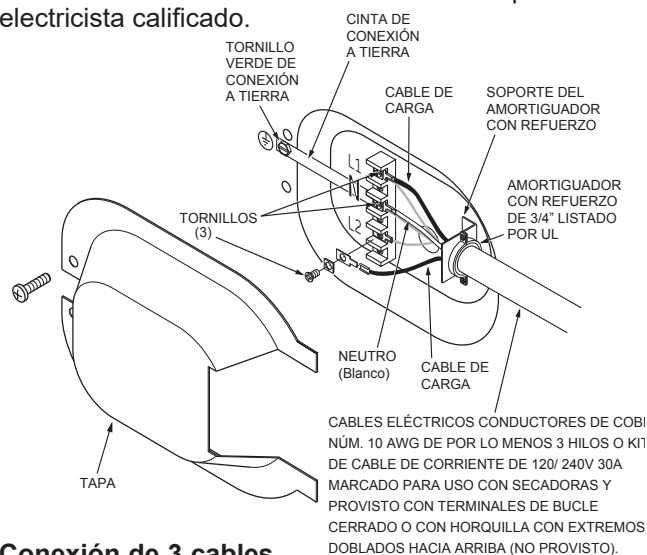


1. Desactive el disyuntor (30 amperios) o quite el fusible del circuito de la secadora de la caja eléctrica.
2. Verifique que el cable de la secadora esté desenchufado del tomacorriente.
3. Retire la tapa del cable de corriente ubicada en la parte inferior trasera.
4. Quite y descarte la cinta de conexión a tierra. Conserve el tornillo verde de conexión a tierra para el paso 7.
5. Instale un alivio de tensión de 3/4 pulgadas reconocido por UL en el orificio de entrada del cable de energía. Pase el cable de energía a través del alivio de tensión.
6. Conecte el cable de energía de la siguiente manera:
  - A. Conecte los dos cables vivos a los tornillos externos del bloque terminal (marcado L1 y L2).
  - B. Conecte el cable neutral (blanco) al centro del bloque terminal (marcado N).
7. Conecte el cable a tierra del cable de energía con el tornillo verde de conexión a tierra (orificio sobre el soporte de alivio de tensión). Ajuste por firmemente todos los tornillos (3) del bloque terminal.
8. De forma apropiada, asegure el cable de corriente al amortiguador de refuerzo.
9. Vuelva a instalar la tapa.

**NUNCA OLVIDE DE VOLVER A COLOCAR LA TAPA DEL BLOQUE TERMINAL.**

### CÓMO CONECTAR LA SECADORA USANDO UNA CONEXIÓN DE 3 CABLES

**NOTA:** Si el circuito de su secadora está en un circuito protegido por un interruptor GFCI, no se permite la instalación de un cable de 3 hilos. El cableado de la casa y la secadora deben configurarse para cables de 4 hilos. Si así lo requirieran los códigos locales, instale una conexión a tierra externa (no provista) a metal con conexión a tierra, tuberías de agua fría con conexión a tierra u otra conexión a tierra establecida por un electricista calificado.



#### Conexión de 3 cables

NO usar en Canadá.

NO usar en instalaciones en casas móviles.

NO usar en casas nuevas.

NO usar en vehículos recreativos.

NO usar en áreas donde los códigos locales prohíben la conexión eléctrica a tierra por el medio del cable neutral.

1. Desactive el disyuntor (30 amperios) o quite el fusible del circuito de la secadora de la caja eléctrica.
2. Verifique que el cable de la secadora esté desenchufado del tomacorriente.
3. Retire la tapa del cable de corriente ubicada en la parte inferior trasera.
4. Instale un alivio de tensión de 3/4 pulgadas reconocido por UL en el orificio de entrada del cable de energía. Pase el cable de energía a través del alivio de tensión.
5. Conecte el cable de energía de la siguiente manera:
  - A. Conecte los dos cables vivos a los tornillos externos del bloque terminal (marcado L1 y L2).
  - B. Conecte el cable neutral (blanco) al centro del bloque terminal (marcado N).
6. Asegúrese de que la cinta de conexión a tierra esté conectada a la terminal neutral (central) del bloque y al tornillo verde de conexión a tierra de la parte trasera del gabinete. Ajuste por firmemente todos los tornillos (3) del bloque terminal.
7. Ajuste bien el cable de energía al alivio de tensión.
8. Vuelva a instalar la tapa.

**NUNCA OLVIDE DE VOLVER A COLOCAR LA TAPA DEL BLOQUE TERMINAL.**

# Instrucciones de instalación

## SALIDA AL EXTERIOR DE LA SECADORA

### **⚠ ADVERTENCIA** - Riesgo de incendio

Esta secadora DEBE tener una ventilación al exterior.

Utilice sólo un conducto de metal rígido de 4" (10,2 cm) para la ventilación de salida doméstico.

Use sólo un conducto de transición de la secadora de metal rígido de 4" (10,2 cm), de metal flexible de la lista de UL, o de papel de aluminio de la lista de UL para conectar la secadora a la salida del hogar.

**NO** use ningún plástico para ventilar la secadora; esto incluye el conducto de salida del hogar, el conducto de transición de la secadora, o dentro de la secadora.

**NO** use un conducto de metal flexible o de papel de aluminio para un conducto de salida del hogar o dentro de la secadora.

**NO** use la salida de una chimenea, la salida de la cocina, ventilación de gas, pared, cielo raso, ático, espacio de rastreo, o espacio escondido de una edificación.

**NO** instale una pantalla en o sobre el conducto de salida.


**NO** instale un ventilador de refuerzo en el ducto de ventilación.

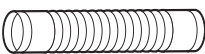
**NO** use un conducto más largo que aquél especificado en la tabla de longitud de salida.


Si no se siguen estas instrucciones se podrá producir la muerte o un incendio.

### HERRAMIENTAS Y MATERIALES NECESARIOS PARA INSTALAR UN CONDUCTO DE SALIDA


Destornillador phillips 

Cinta aislante o abrazaderas de tubería 

Conducto de metal de 4" (10,2 cm) flexible o rígido listado UL 

Perfore con una broca de 1/8" drill bit (para ventilación inferior) 

Sierra para metales 

Campana de ventilación 

### PARTES DISPONIBLES DESDE [GEAPPLIANCEPARTS.COM](http://GEAPPLIANCEPARTS.COM) U ORGANIZACIONES DE LOCALES

**PM8X85** Campana de escape exterior

**PM08X10085** Conducto de transición de 8' flexible de metal con 2 abrazaderas para secadoras

**WX08X10130** Abrazadera para escape de 4" para secadoras

**WE49X22606** Cubierta de abertura de escape posterior, para secadoras ventiladas al lado o por la base

### CONEXIÓN DE LA SECADORA A LA VENTILACIÓN DE LA CASA CONDUCTO DE TRANSICIÓN DE METAL RÍGIDO

- Para un mejor funcionamiento del secado, se recomienda el uso de un conducto de transición de metal rígido.
- Los conductos de transición de metal rígido reducen el riesgo de que se puedan aplastar o doblar.

### CONDUCTO DE TRANSICIÓN DE METAL FLEXIBLE SECADORA DE ROPA DE LA LISTA DE UL

- Si un conducto de metal rígido no puede ser utilizado, entonces un conducto de metal flexible aprobado por UL puede ser utilizado. (GE Appliances parte – PM08X10085.)
- Nunca instale un conducto de transición en paredes, cielos rasos, pisos u otros espacios adjuntos.
- La longitud total del conducto de transición no deberá superar los 8' (2.4 m).
- Para muchas aplicaciones, se recomienda enfáticamente la instalación de codos tanto en la secadora como en la pared. Los codos permiten que la secadora pueda estar junto a la pared sin que se aplaste ni se doble el conducto de transición, maximizando el rendimiento del secado.
- Evite que la tubería se apoye sobre objetos cortantes.

### CONDUCTO DE TRANSICIÓN DE METAL FLEXIBLE (TIPO HOJA DE ALUMINIO) DE LA LISTA DE UL

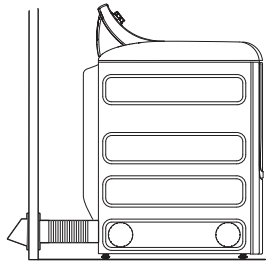
- En instalaciones especiales, puede ser necesario conectar la secadora a la ventilación doméstica usando un conducto de metal flexible (tipo papel de aluminio). Un conducto universal flexible aprobado por UL (GE Appliances partes - PM8X73 o WX8X73) puede ser utilizado UNICAMENTE en instalaciones donde un conductor de metal rígido o flexible no puede ser utilizado y donde un diámetro de 4" (10,2 cm) puede mantenerse a lo largo del conducto.
- En Canadá y en Estados Unidos, sólo se podrán usar los conductos de transición que cumplan con "UL 2158A STANDARD FOR CLOTHES DRYER TRANSITION DUCT" (UL 2158A - Norma de conductos para secadoras de ropa).
- Evite que la tubería se apoye sobre objetos cortantes.
- Para un mejor funcionamiento:

1. Deslice un extremo del conducto sobre la tubería de salida de la secadora de ropa.
2. Asegure el conducto con una abrazadera.
3. Con la secadora en su posición permanente, extienda el conducto hasta su máxima extensión. Permita que 2" (5,08 cm) del conducto se superpongan con la tubería de escape. Corte y retire el sobrante del conducto. Mantenga el conducto lo más recto posible para lograr el flujo de aire máximo.
4. Asegure el conducto a la tubería de escape con la otra abrazadera.

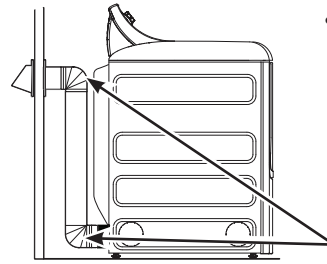


# Instrucciones de instalación

## SALIDA AL EXTERIOR DE LA SECADORA (cont.)



• **CORTE** el conducto lo más corto posible e instálelo derecho en la pared.

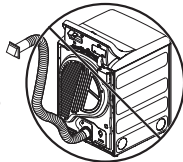


• **UTILICE** codos cuando hagan falta curvas.

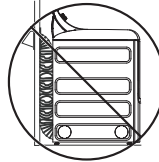
Coudes



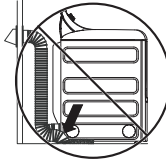
• **NO** doble o pliegue los conductos. Utilice codos si algunos codos resultan necesarios.



• **NO** utilice una longitud de salida excesiva. Corte los conductos con la longitud más corta posible.



• **NO** aplaste el conducto contra la pared.



• **NO** coloque la secadora en el conducto.

### LONGITUD DE SALIDA

Al utilizar una salida de mayor longitud a la especificada se:

- Incrementarán los tiempos de secado y el costo de energía.
- Reducirá la vida útil de la secadora.
- Acumulará pelusa, lo que podría generar un riesgo potencial de incendio.

**La correcta instalación de salida es SU RESPONSABILIDAD.**

**Los problemas generados por una instalación incorrecta no se encuentran cubiertos por la garantía.**

La longitud MÁXIMA PERMITIDA del sistema de salida depende del tipo de conducto, la cantidad de curvas, la clase de campana de salida (cubierta de pared) y todas las condiciones indicadas en el gráfico.

- Codos internos agregados para conversiones de ventilación lateral o inferior se deberán incluir en la cuenta total de los codos.
- Cualquier codo superior a 45° debería ser considerado como un codo de 90°; un codo de 45° o menos puede ser ignorado.
- Dos codos de 45° deberán ser considerados como un codo de 90°.
- Para el escape lateral, agregue un codo de 90° a la tabla.
- Para cada codo adicional de 90°, reduzca en 10 pies (3 m) la longitud permisible del sistema de escape.
- En el cálculo de la longitud total del sistema de ventilación, debe agregar todas las partes rectas y codos del sistema (incluyendo el conducto de transición).

LONGITUD MÁXIMA RECOMENDADA		
Tipos de campanas de escape		
	Recomendado	Use sólo para instalaciones de cortas

Cantidad de codos de 90°	Metal Rígido	Metal Rígido
0	120 Pies (36,6 m)	90 Pies (27,4 m)
1	100 Pies (30,5 m)	75 Pies (22,9 m)
2	85 Pies (25,9 m)	65 Pies (19,8 m)
3	70 Pies (21,3 m)	55 Pies (16,8 m)
4	60 Pies (18,3 m)	45 Pies (13,7 m)
5	55 Pies (16,8 m)	35 Pies (10,7 m)

# Instrucciones de instalación

## SALIDA AL EXTERIOR DE LA SECADORA (cont.)

### LISTA DE CONTROL DEL SISTEMA DE SALIDA

#### CAMPANA O CUBIERTA DE PARED

- Instale la salida de modo de evitar contracorrientes o el ingreso de pájaros u otros insectos o animales.
- La boca de salida debe presentar una resistencia mínima al flujo de salida y debe requerir poco mantenimiento para evitar las obstrucciones.
- Las cubiertas de pared deben instalarse por lo menos a 12" (30,5 cm) sobre el nivel del suelo o cualquier otra obstrucción con la abertura apuntando hacia abajo.

#### SEPARACIÓN DE CURVAS

- Para un mejor desempeño, separe todas las curvas con 4 pies (1,2 m) de conducto recto como mínimo, incluyendo la distancia entre la última curva y la cubierta de pared con regulador de tiro.

#### SELLADO DE JUNTAS

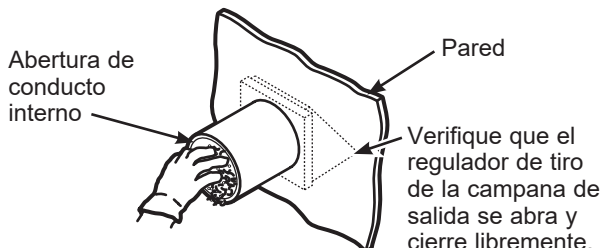
- Todas las juntas deben estar bien selladas para evitar pérdidas. El extremo macho de cada sección de conducto debe apuntar en dirección opuesta de la secadora.
- Las juntas de los conductos deben ser herméticas al aire y a la humedad mediante la superposición de juntas con cinta aislante o cinta de aluminio.
- No ensamble la tubería con tensores que se extiendan sobre el conducto. Estos tensores acumulan pelusa, creando un posible riesgo de incendio.
- Los tramos horizontales deben tener una inclinación hacia el exterior de 6,4 mm (1/4") por pie.
- Incluya un acceso para inspección y limpieza del sistema de salida, especialmente en las curvas. Inspeccione y limpie el conducto por lo menos una vez al año.

#### AISLACIÓN

- Los conductos instalados a través de una área sin calefacción o ubicados cerca de un acondicionador de aire deben aislarse para reducir la condensación y la acumulación de pelusas.

### ANTES DE COMENZAR

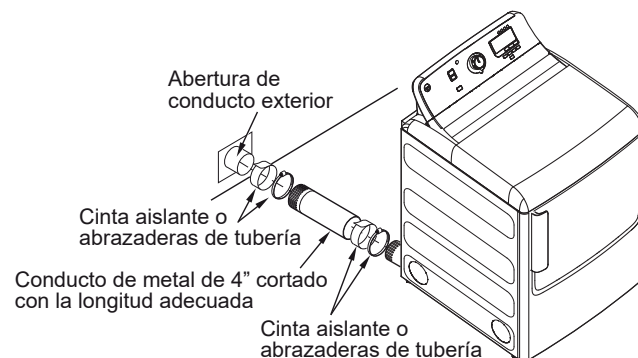
- Retire y elimine plásticos u hojas de aluminio existentes en el conducto de transición y reemplace por el conducto de transición nuevo que figura en la lista de UL.
- Quite las pelusas de la abertura de salida de la pared.



### SALIDA TRASERA ESTÁNDAR

Recomendamos instalar la secadora antes que la lavadora. Esto permitirá un acceso directo para poder efectuar la conexión de salida.

Deslice el extremo del conducto de salida hacia la parte trasera de la secadora y sujete con cinta aislante o una abrazadera de mangueras.

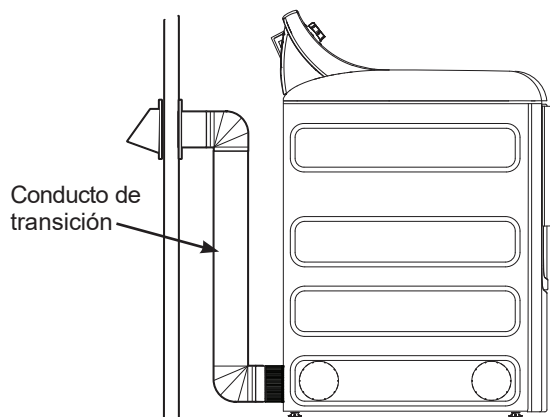


**NOTA:** Recomendamos el uso de un conducto de salida rígido de metal. Sin embargo, si se usan conductos flexibles éstos deben ser de metal aprobados por UL, no de plástico.

- Para la instalación en línea recta, conecte el escape de la secadora a la campana de escape usando cinta para conducto o una abrazadera.

### CONFIGURACIÓN RECOMENDADA PARA MINIMIZAR LAS OBSTRUCCIONES DE LA SALIDA

El uso de codos evitará que los conductos se tuerzan y caigan.



# Instrucciones de instalación

## SALIDA AL EXTERIOR DE LA SECADORA (cont.)

### VENTILACIÓN LATERAL O POR LA PARTE INFERIOR

#### ⚠ ADVERTENCIA - Riesgo de incendio

Desconecte la secadora del suministro eléctrico.

Use guantes y protectores para brazos.

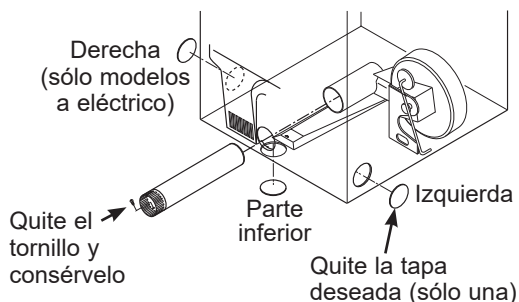
Cierre la abertura trasera con la placa protectora (Kit WE49X22606).

Si esto no se cumple, se podrá producir una incendio, descarga eléctrica o laceraciones.

La secadora cuenta con una salida hacia la derecha del gabinete sólo en modelos eléctricos.

La secadora cuenta con una salida hacia la izquierda del gabinete en modelos a gas y eléctricos.

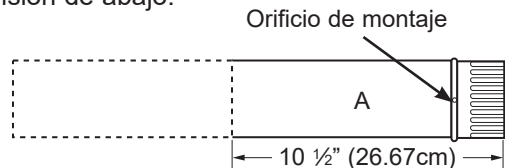
La secadora cuenta con una salida por la parte inferior del gabinete en modelos a gas y eléctricos.



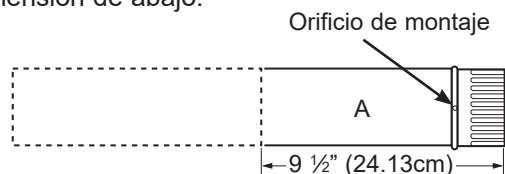
Despegue y quite la tapa derecha (sólo modelos a eléctrico), izquierda o por la parte inferior según corresponda. Quite el tornillo ubicado dentro del conducto de salida de la secadora y consérvelo. Saque el conducto de la secadora.

Corte el conducto como puede verse y conserve la porción A.

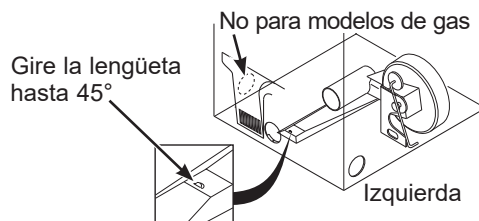
Para los 7,4 pies cúb. modelos solamente, use la dimensión de abajo:



Para los 6,2 y 7,2 pies cúb. modelos solamente, use la dimensión de abajo:

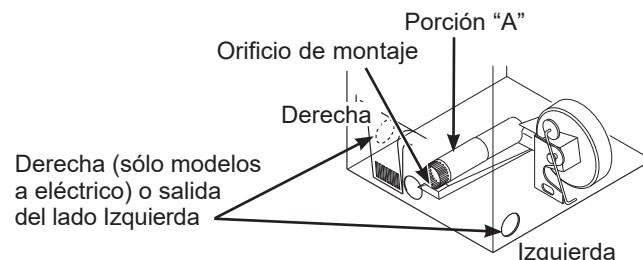


### VENTILACIÓN LATERAL O POR LA PARTE INFERIOR (cont.)



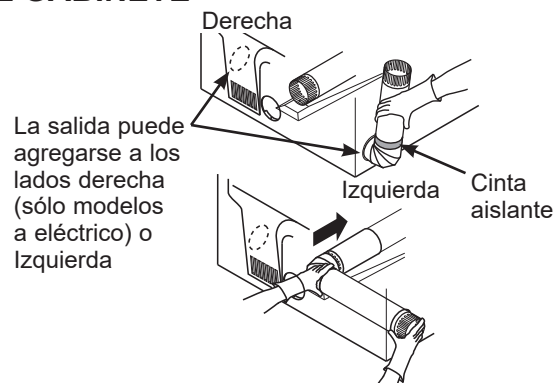
A través de la abertura trasera, ubique la lengüeta en el medio de la base del artefacto. Levante la lengüeta hasta alrededor de 45°, utilizando un destornillador de lados planos.

### CÓMO AGREGAR UN CONDUCTO NUEVO



Vuelva a conectar la porción cortada "A" del conducto a la caja del ventilador. Asegúrese de que el conducto más corto se encuentre alineado con la lengüeta de la base. Utilice el tornillo conservado con anterioridad para sujetar el conducto en su lugar a través de la lengüeta de la base del artefacto.

### CÓMO AGREGAR CODOS Y CONDUCTOS DE SALIDA HACIA AL DERECHA (SÓLO MODELOS A ELÉCTRICO) O IZQUIERDA O DEL GABINETE



- Arme previamente un codo de 4" con un conducto de 4". Coloque cinta aislante alrededor de la junta.
- Introduzca el montaje del conducto, el codo primero, a través de la abertura lateral y conecte el codo al conducto interno de la secadora.

**Asegúrese de no tirar o dañar los cables eléctricos ubicados dentro de la secadora cuando introduzca el conducto.**

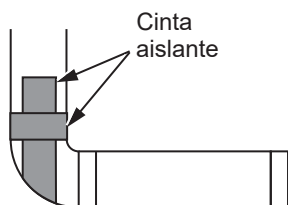
# Instrucciones de instalación

## SALIDA AL EXTERIOR DE LA SECADORA (cont.)

### VENTILACIÓN LATERAL O POR LA PARTE INFERIOR (cont.)

### CÓMO AGREGAR CODOS Y CONDUCTOS DE SALIDA HACIA LA IZQUIERDA O DERECHA DEL GABINETE (cont.)

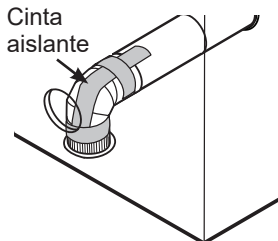
- Aplique cinta aislante como puede verse en la junta entre el conducto interno de la secadora y el codo, y también en la junta entre el codo y el conducto lateral.



Utilice sólo un conducto rígido de metal de un diámetro de 4" dentro del gabinete de la secadora. Las juntas del conducto interno deben sujetarse con cinta; caso contrario, pueden separarse y provocar un riesgo de seguridad.

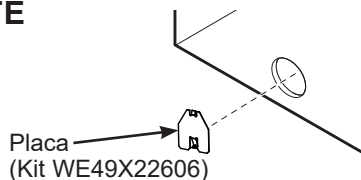
### CÓMO AGREGAR UN CODO DE SALIDA A TRAVÉS DE LA PARTE INFERIOR DEL GABINETE

- Introduzca el codo a través de la abertura trasera y conéctelo al conducto interno de la secadora.
- Aplique cinta aislante como puede verse en la junta entre el conducto interno de la secadora y el codo, y también en la junta entre el codo y el conducto inferior.



Las juntas del conducto interno deben sujetarse con cinta; caso contrario, pueden separarse y provocar un riesgo de seguridad.

### CÓMO AGREGAR LA PLACA DE CUBIERTA A LA PARTE TRASERA DEL GABINETE



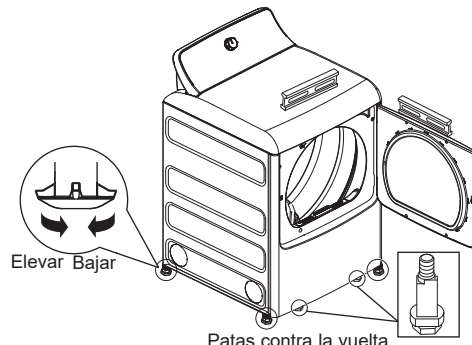
Conecte los codos y conductos de metal estándar para completar el sistema de salida. Cubra la apertura trasera con la cubierta (Kit WE49X22606) que se puede comprar de [GEApplianceparts.com](http://GEApplianceparts.com) o de un proveedor de servicios local. Coloque la secadora en su ubicación final.

**NUNCA DEJE LA ABERTURA TRASERA SIN LA PLACA EN SU LUGAR. (KIT WE49X22606)**

## CONFIGURACIÓN FINAL

### 1 NIVELE LA SECADORA

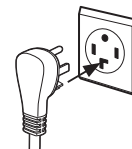
Coloque la secadora en posición vertical cerca de la ubicación definitiva y ajuste las cuatro patas para garantizar que la



secadora se encuentre nivelada de lado a lado y del frente a la parte trasera. Además ajuste las 2 patas antivuelco de las esquinas inferiores frontales, teniendo cuidado de que toquen el suelo para evitar la unidad vuelque. La instalación no está completa hasta que termine este proceso.

### 2 ENCHUFE LA SECADORA

Verifique que haya una conexión a tierra adecuada antes del uso.



### 3 INICIO DE LA SECADORA

Presione el botón **Power (Encendido)**.



**NOTA:** Si la secadora ha sido expuesta a temperaturas bajo cero (la apariencia variará) por un período prolongado, deje que suba la temperatura antes de presionar **Power**. De otra manera, la pantalla no se encenderá. Su secadora ya está lista para usar.

### ⚠ ADVERTENCIA - Riesgo de Descarga Eléctrica

Desconecte el suministro de corriente antes de realizar el servicio técnico.

Reemplace todas las piezas y paneles antes de utilizar.

Si no cumple con esto, se podrá producir la muerte o descarga eléctrica.

### ⚠ ADVERTENCIA - Riesgo de Descarga Eléctrica

Ciertas piezas internas no tienen conexión a tierra en forma intencional y pueden presentar un riesgo de descarga eléctrica sólo durante la reparación.

**Personal de reparación – NO** toque las siguientes piezas cuando el aparato esté recibiendo energía: luz del tambor, interruptor de la puerta, tarjeta electrónica principal, encendedor, termostatos, detector de flama o calentador mica.

# Instrucciones de instalación

## INVERSIÓN DE LA PUERTA (OPCIONAL)

### Cómo cambiar el sentido de apertura de la puerta.

#### NOTAS IMPORTANTES:

- Lea todas las instrucciones antes de comenzar.
- Manipule las piezas con cuidado para evitar rayar la pintura.
- Coloque los tornillos cercanos a sus piezas correspondientes para evitar utilizarlos en los lugares incorrectos.
- Coloque las puertas en una superficie de trabajo que no produzca ralladuras.
- El tiempo normal necesario para invertir el sentido de la puerta es de 30 a 60 minutos.

#### IMPORTANTE:

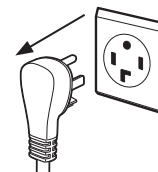
Una vez que comience, no mueva el gabinete hasta que haya completado el cambio de la puerta. Estas instrucciones indican cómo cambiar las bisagras del lado derecho al lado izquierdo. En caso que desee cambiarlas nuevamente al lado derecho, siga las mismas instrucciones e invierta todas las referencias de izquierda y derecha.

#### Herramientas que necesitará:

- Destornillador con punta cuadro N° 1 ó en su caso destornillador Phillips N° 2 estándar
- Espátula con la punta cubierta con cinta
- Destornillador de punta plana pequeña

#### Antes de Comenzar

Desenchufe la secadora del tomacorriente.



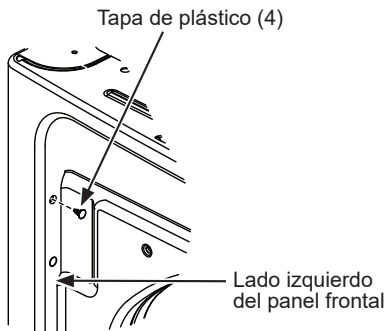
# Instrucciones de instalación

## INVERSIÓN DE LA PUERTA (OPCIONAL)

Elija las **INVERSIÓN DE LA PUERTA** instrucciones **A** or **B** para su modelo.

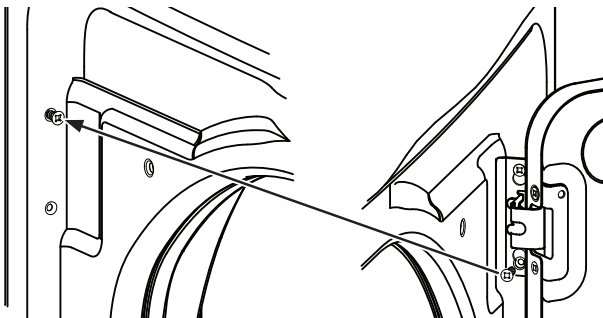
### **A** MODELOS SIN LA FUNCIÓN DE ACTUALIZACIÓN DE ESTRUCTURA

- 1 Abra la puerta aproximadamente 130°. Con una espátula, retire las 4 tapas de plástico ubicadas a lo largo del lado izquierdo del panel frontal y deje las mismas a un costado.



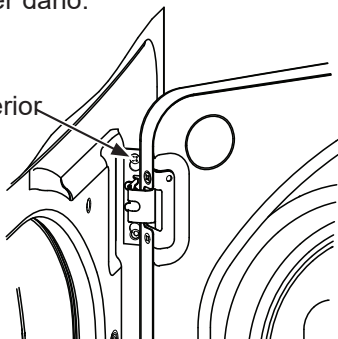
- 2 Retire el tornillo inferior de cada bisagra (lado derecho) e inserte parcialmente en los agujeros de las bisagras del lado superior izquierdo.

**NOTA:** Los 4 tornillos de la bisagra del panel frontal estarán ahora en los agujeros de la bisagra superior – 2 sobre la izquierda y 2 sobre la derecha.



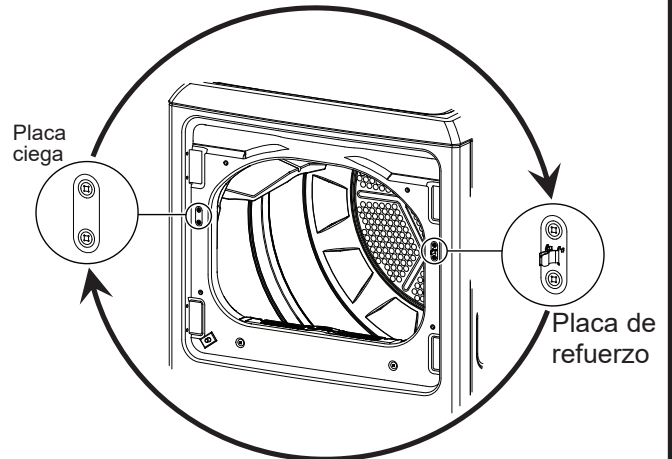
- 3 Afloje cada tornillo de la bisagra superior en el lado derecho. Retire la puerta y coloque la misma sobre una superficie plana protegida a fin de evitar cualquier daño.

Afloje cada tornillo de la bisagra superior en el lado derecho.

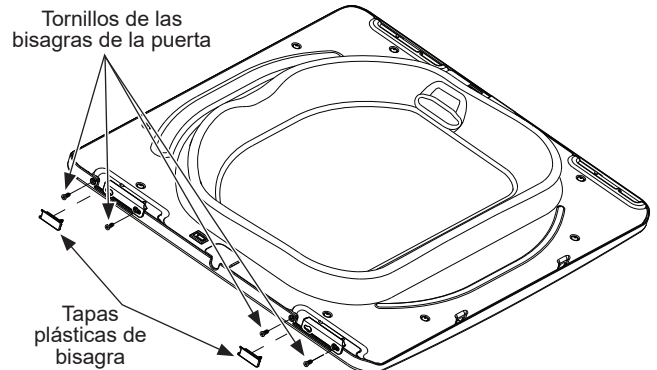


### **A** MODELOS SIN LA FUNCIÓN DE ACTUALIZACIÓN DE ESTRUCTURA

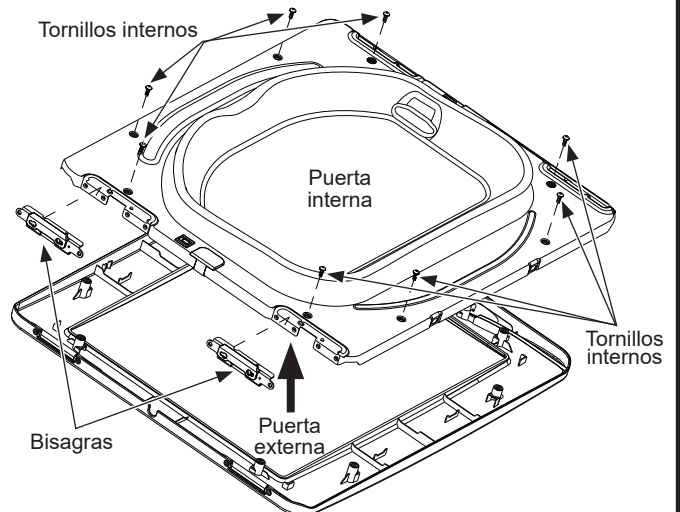
- 4 Retire la placa ciega y la placa de refuerzo e instale las mismas en posiciones opuestas.



- 5 Retire las 2 tapas plásticas de bisagra y los 4 tornillos de las bisagras.



- 6 Quite los 8 tornillos interiores. Levante la puerta interna con un destornillador de punta plana. Retire las 2 bisagras de la puerta.

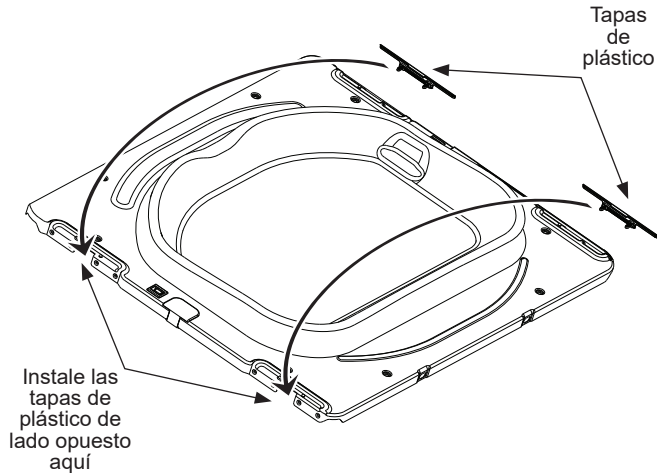


# Instrucciones de instalación

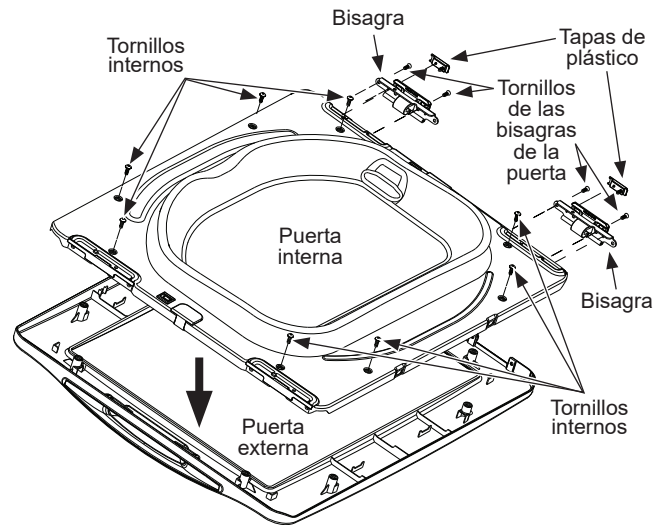
## CÓMO INVERTIR LA APERTURA DE LA PUERTA (Opcional)

### A MODELOS SIN LA FUNCIÓN DE ACTUALIZACIÓN DE ESTRUCTURA

- 7 Quite y cambie las 2 tapas de plástico.

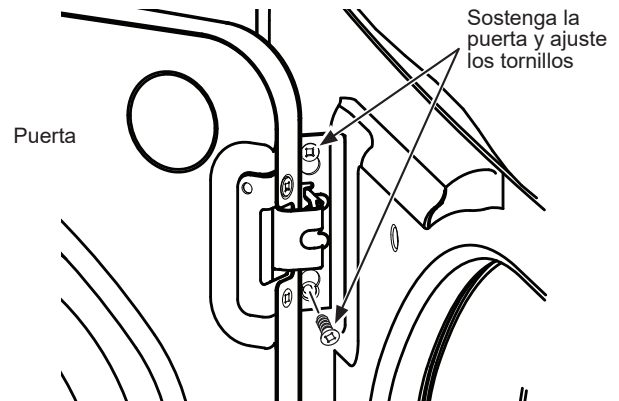


- 8 Gire la puerta exterior de 180°. Coloque las bisagras en su sitio, asegúrese de montar las bisagras en el lado opuesto de bolsillo. Instale la puerta interior en la puerta exterior con los tornillos que retiró en el paso 6. Atornille las bisagras de la puerta y instale las tapas de plástico.

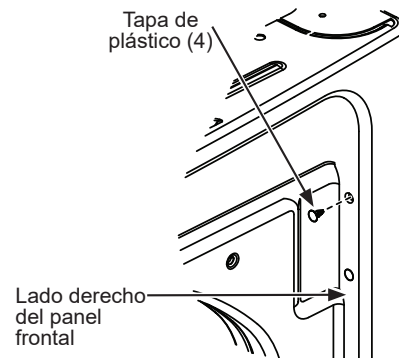


### A MODELOS SIN LA FUNCIÓN DE ACTUALIZACIÓN DE ESTRUCTURA

- 9 Monte la puerta sobre los 2 tornillos superiores del lado izquierdo, instalados en el paso 2. Mueva los tornillos de la bisagra aflojados en el paso 3 hacia los agujeros inferiores del lado izquierdo y apriete firmemente los cuatro tornillos.



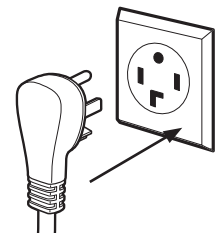
- 10 Instale las cuatro tapas de plástico retiradas en el paso 1 en los 4 agujeros del panel frontal derecho.



**NOTA:** Para regresar la puerta a la configuración original, siga estas instrucciones, cambiando entre la "izquierda" y la "derecha".

### Al finalizar

Vuelva a enchufar la secadora en la salida eléctrica.

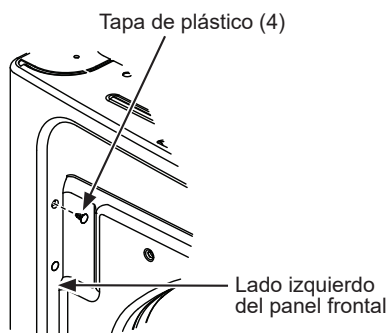


# Instrucciones de instalación

## INVERSIÓN DE LA PUERTA (OPCIONAL)

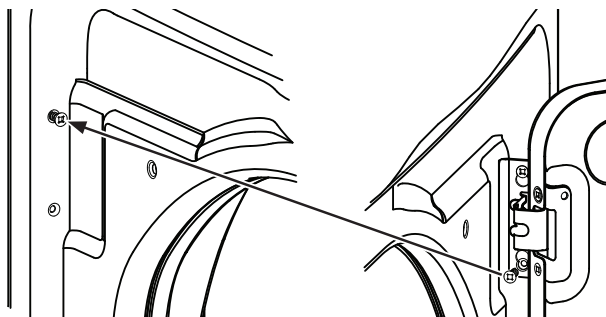
### B MODELOS CON LA FUNCIÓN DE ACTUALIZACIÓN DE ESTRUCTURA

- 1 Abra la puerta aproximadamente 130°. Con una espátula, retire las 4 tapas de plástico ubicadas a lo largo del lado izquierdo del panel frontal y deje las mismas a un costado.

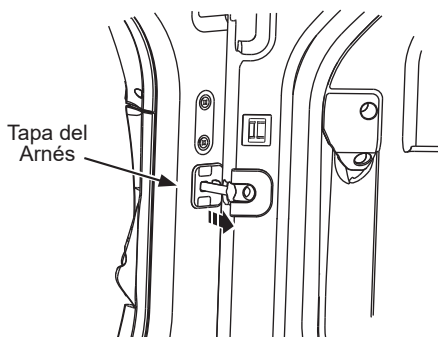


- 2 Retire el tornillo inferior de cada bisagra (lado derecho) e inserte parcialmente en los agujeros de las bisagras del lado superior izquierdo.

**NOTA:** Los 4 tornillos de la bisagra del panel frontal estarán ahora en los agujeros de la bisagra superior – 2 sobre la izquierda y 2 sobre la derecha.



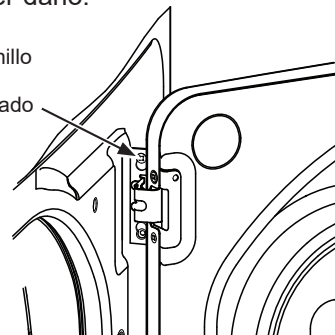
- 3 Use un destornillador de punta plana pequeño para retirar la tapa del arnés del panel frontal.



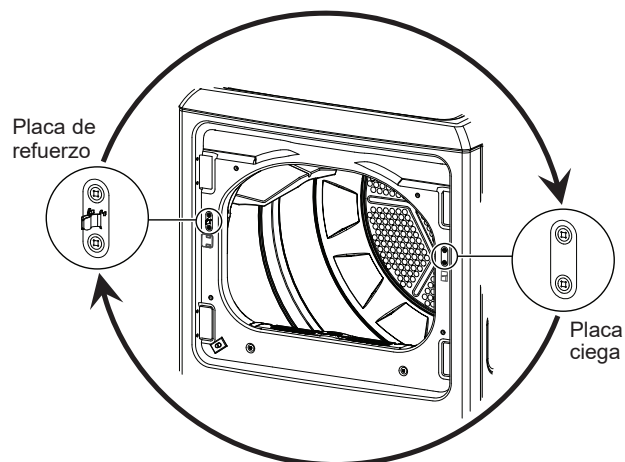
### B MODELOS CON LA FUNCIÓN DE ACTUALIZACIÓN DE ESTRUCTURA

- 4 Afloje cada tornillo de la bisagra superior en el lado derecho. Retire la puerta y coloque la misma sobre una superficie plana protegida a fin de evitar cualquier daño.

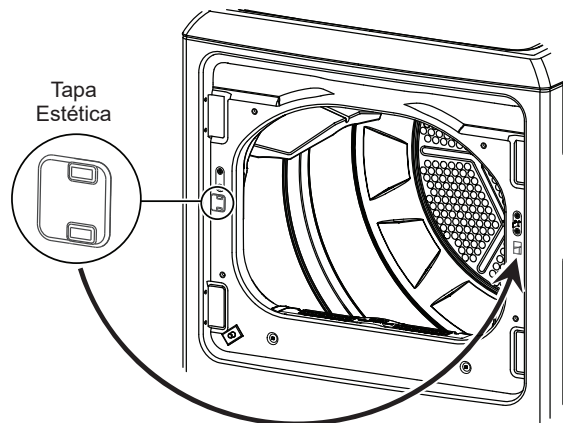
Afloje cada tornillo de la bisagra superior en el lado derecho.



- 5 Retire la placa ciega y la placa de refuerzo e instale las mismas en posiciones opuestas.



- 6 Retire la tapa estética de plástico e instale la misma del otro lado del panel frontal.



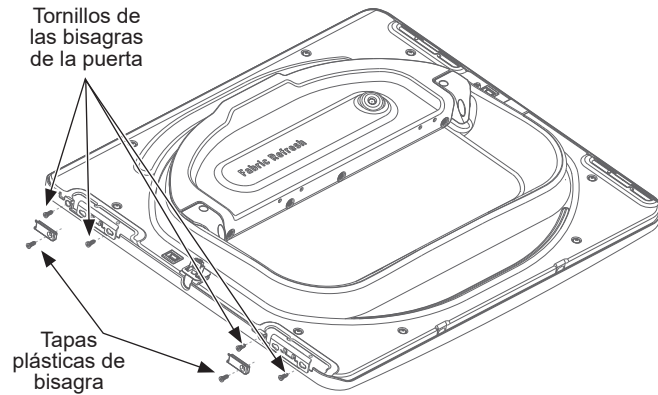


# Instrucciones de instalación

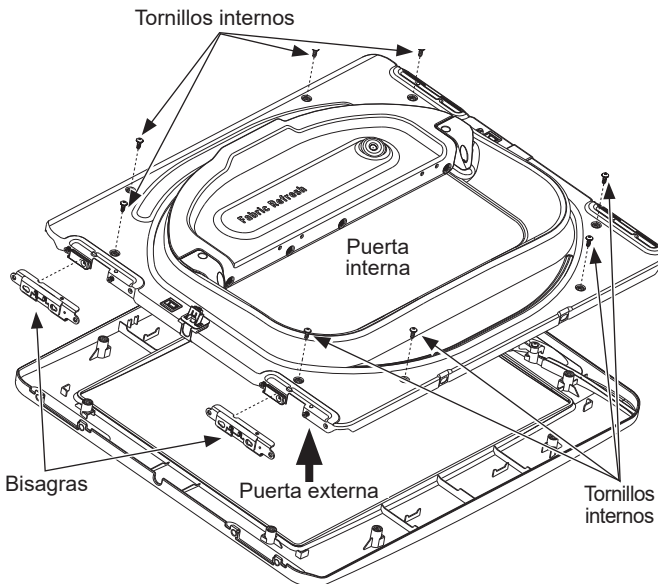
## CÓMO INVERTIR LA APERTURA DE LA PUERTA (Opcional)

### B MODELOS CON LA FUNCIÓN DE ACTUALIZACIÓN DE ESTRUCTURA

- 7 Retire las 2 tapas plásticas de bisagra y los 4 tornillos de las bisagras.



- 8 Quite los 8 tornillos interiores. Levante la puerta interior con un destornillador de punta plana. Retire las 2 bisagras de la puerta.

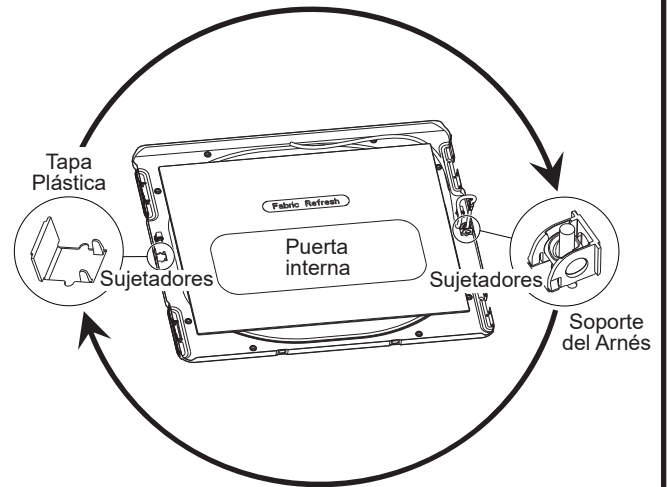


### B MODELOS CON LA FUNCIÓN DE ACTUALIZACIÓN DE ESTRUCTURA

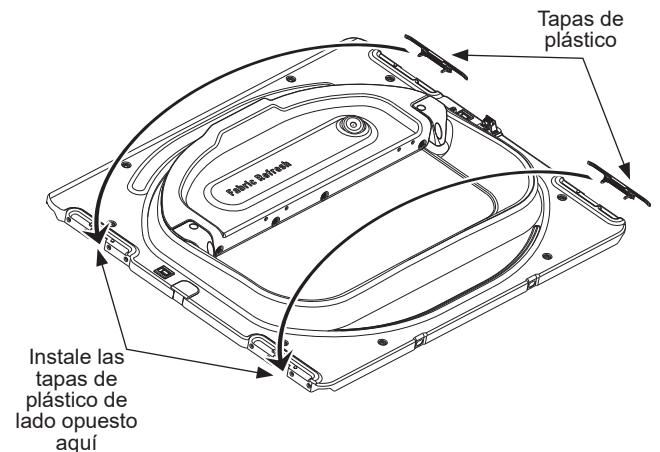
- 9 Gire la puerta interior 180°.

Desconecte el soporte del arnés, haciendo presión sobre los pernos para su retiro. Gire y realice el traslado al lado opuesto. **IMPORTANTE:** Haga circular el arnés detrás del vidrio.

Retire la tapa de plástico haciendo presión sobre los pernos para su retiro. Gire y pase la misma al lado opuesto.



- 10 Quite y cambie las 2 tapas de plástico.

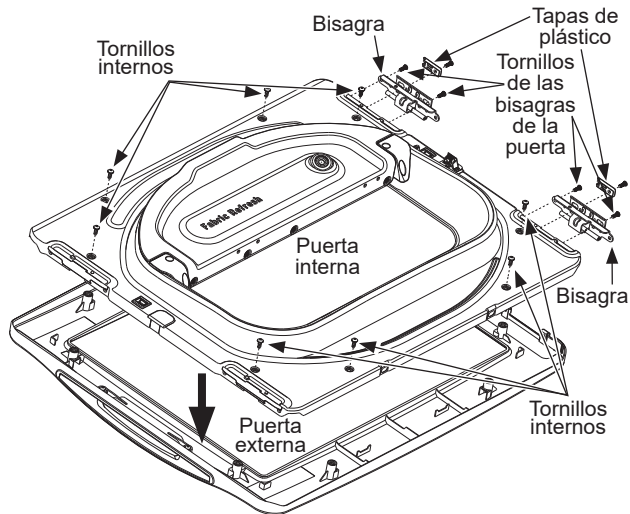


# Instrucciones de instalación

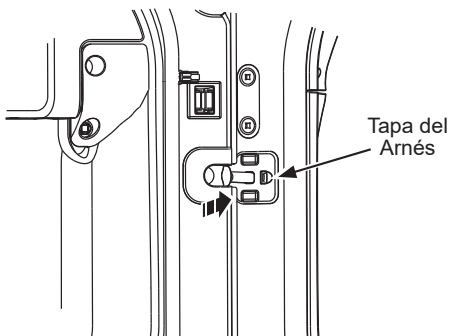
## INVERSIÓN DE LA PUERTA (OPCIONAL)

### B MODELOS CON LA FUNCIÓN DE ACTUALIZACIÓN DE ESTRUCTURA

- 11 Gire la puerta exterior de 180°. Coloque las bisagras en su sitio, asegúrese de montar las bisagras en el lado opuesto de bolsillo. Instale la puerta interior en la puerta exterior con los tornillos que retiró en el paso 8. Atornille las bisagras de la puerta y instale las tapas de plástico.

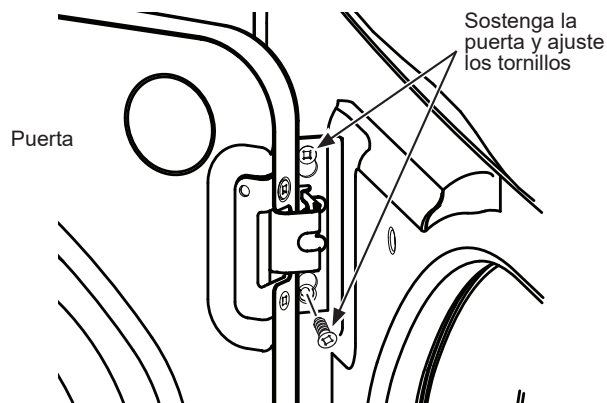


- 12 Instale la tapa del arnés sobre el panel frontal.

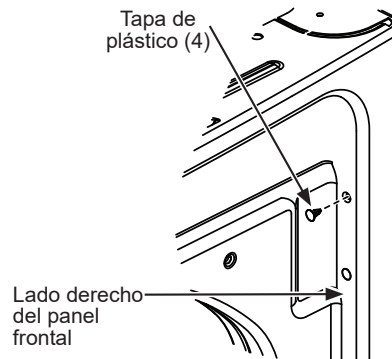


### B MODELOS CON LA FUNCIÓN DE ACTUALIZACIÓN DE ESTRUCTURA

- 13 Monte la puerta sobre los 2 tornillos superiores del lado izquierdo, instalados en el paso 2. Mueva los tornillos de la bisagra aflojados en el paso 3 hacia los agujeros inferiores del lado izquierdo y apriete firmemente los cuatro tornillos.



- 14 Instale las cuatro tapas de plástico retiradas en el paso 1 en los 4 agujeros del panel frontal derecho.



**NOTA:** Para regresar la puerta a la configuración original, siga estas instrucciones, cambiando entre la "izquierda" y la "derecha".

### Al finalizar

Vuelva a enchufar la secadora en la salida eléctrica.

