



H O O K E R
— F U R N I T U R E —

ASSEMBLY INSTRUCTION

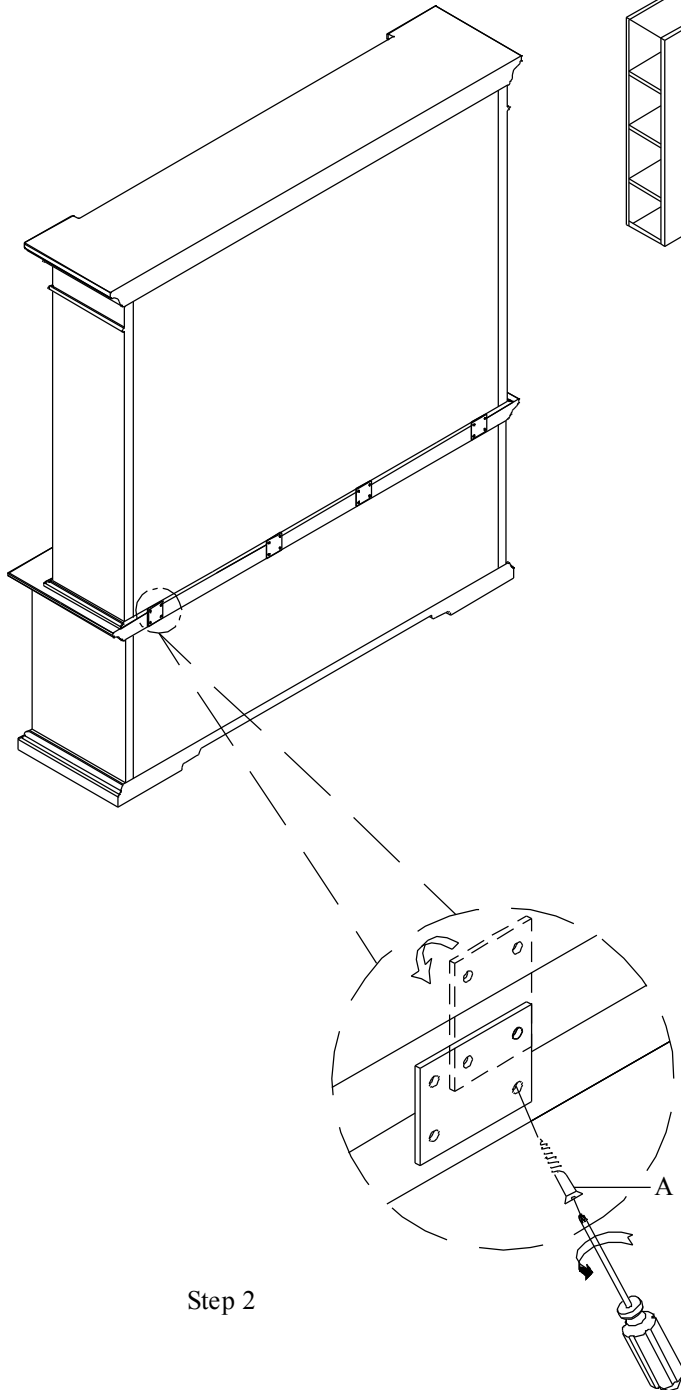
Item: 5374-70485 Entertainment Console 85in
5374-70585 Entertainment Console Hutch

Thank you for purchasing this quality product. Be sure to unpack carefully looking for small parts which may have come loose during shipment.

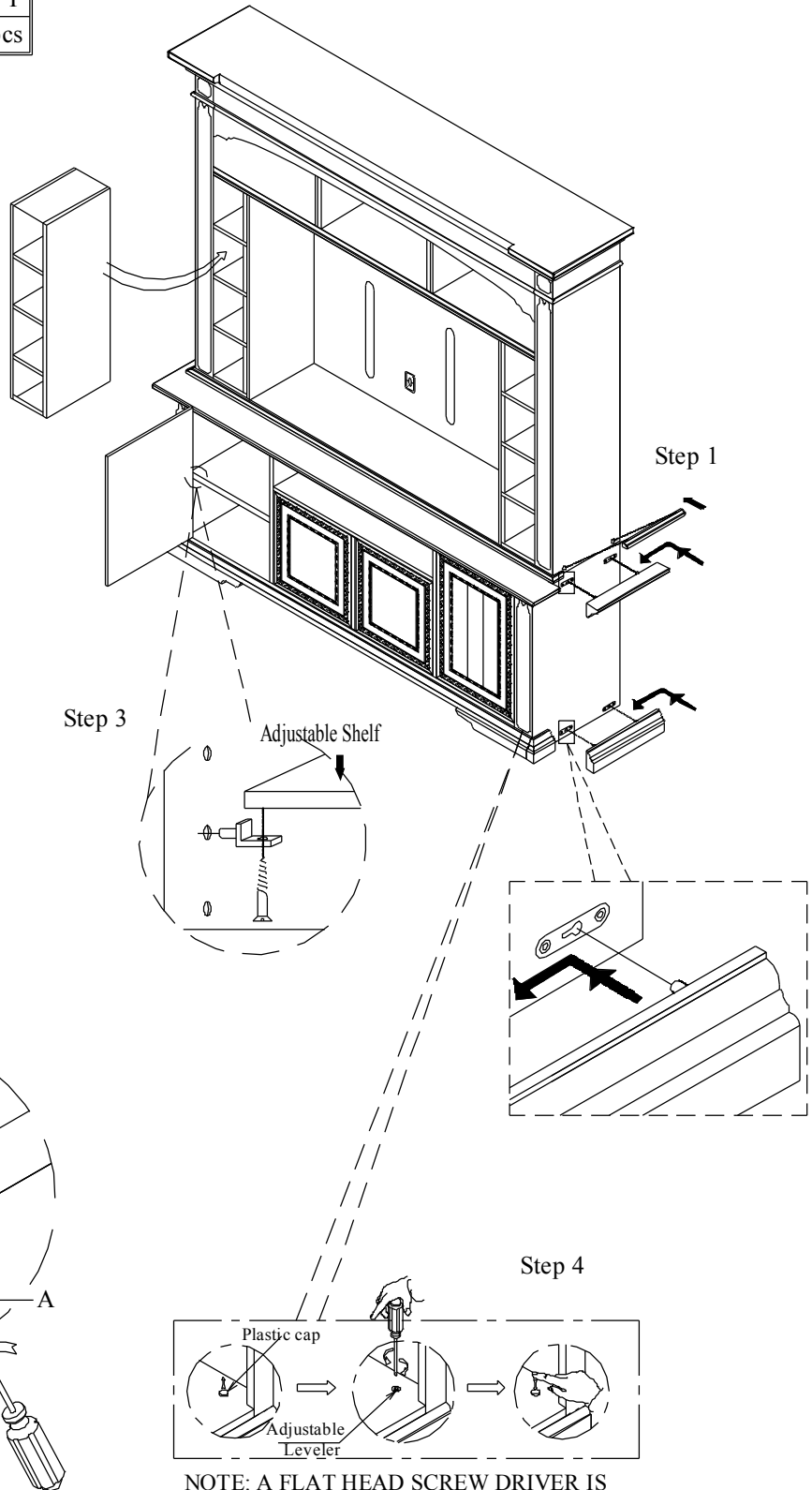
Read all instruction and study the drawing carefully before starting the assembly process:

HARDWARE PACK

NO	DRAWING	DESCRIPTION	SIZE	Q'TY
A		SCREW	#8x5/8"	12pcs



Step 2



Step 1

Step 3

Adjustable Shelf

Step 4

Plastic cap

Adjustable Leveler

NOTE: A FLAT HEAD SCREW DRIVER IS REQUIRED, BUT NOT PROVIDED FOR ASSEMBLY