

**Miele**

30" Electric Range

HR 1421 E

30" Induction Range

HR 1622 i



## 30" Electric and Induction Range

SPECIFICATIONS	
Overall Unit Dimensions	29 <sup>15</sup> / <sub>16</sub> " (762 mm) W x 35 <sup>1</sup> / <sub>2</sub> " — 37" (902 — 940 mm) H x 26 <sup>1</sup> / <sub>2</sub> " (678 mm) D [Depth to control panel]
Oven Door Clearance	25" (635 mm)
<b>Niche</b>	
Minimum Cabinet Niche Opening	30" (762 mm) W x 35 <sup>1</sup> / <sub>2</sub> " (902 mm) H
<b>Electrical</b>	
Electrical Requirements	120/208-240V, 60Hz, 50 Amps
Power Cord	NEMA 14-50p, 5' 11" (1.8m)
<b>Plumbing</b>	<b>HR 1421 E</b> <span style="float: right;"><b>HR 1622 i</b></span>
Plumbing Requirements	- An Inline water filter, like activated carbon, is required to reduce mineral deposits. Do not connect to a Reverse Osmosis (RO) water system. Connect to a cold water supply only. Must be connected to a shut-off valve. The water shut-off valve must be accessible after installation. The water pressure must be between 14.5 and 145 psi (1 and 10 bars). If the pressure is higher, install a pressure reducing valve.
Plumbed Hose Connection	- Supplied hose: flexible braided 4'11" (1.5 m) with 3/8" O.D. compression fitting for connection to a shut off valve. The total hose length must not exceed 24.5 ft. (7.5 m).
<b>Shipping</b>	<b>HR 1421 E</b> <span style="float: right;"><b>HR 1622 i</b></span>
Shipping Weight	324.7 lbs (147.3kg) <span style="float: right;">337.3 lbs (153 kg)</span>
Shipping Dimensions	37 <sup>7</sup> / <sub>16</sub> " (950 mm) W x 52" (1,294 mm) H x 31 <sup>1</sup> / <sub>2</sub> " (800 mm) D
<b>Support</b>	
Call Miele	(800) 999-1360
Miele Website	<a href="http://www.mieleusa.com">www.mieleusa.com</a>
20/20 Link	<a href="http://2020technologies.com">2020technologies.com</a>



HR 1421 E (208V)  
Item 25142150USA

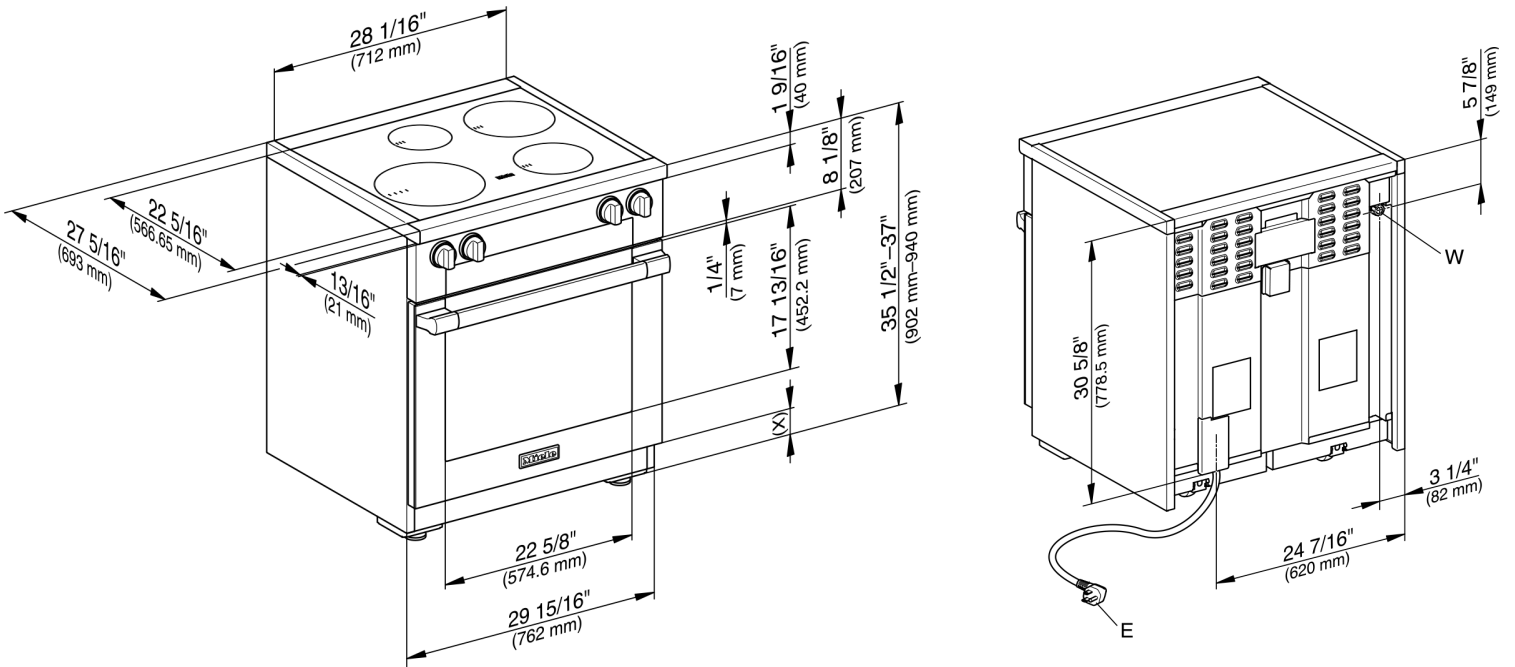
HR 1421 E (240V)  
Item 25142151USA



HR 1622 i  
Item 25162251USA

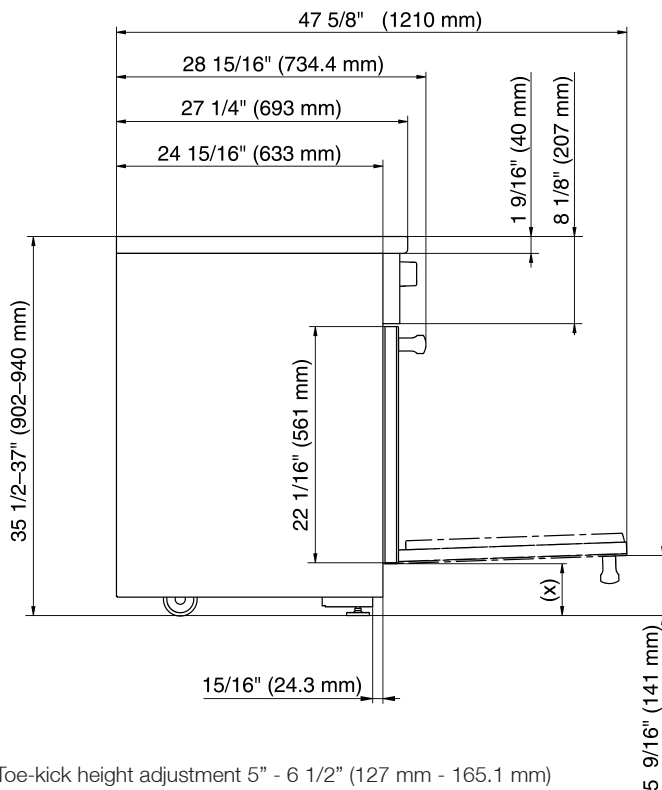
## 30" Electric and Induction Range

### PRODUCT DIMENSIONS



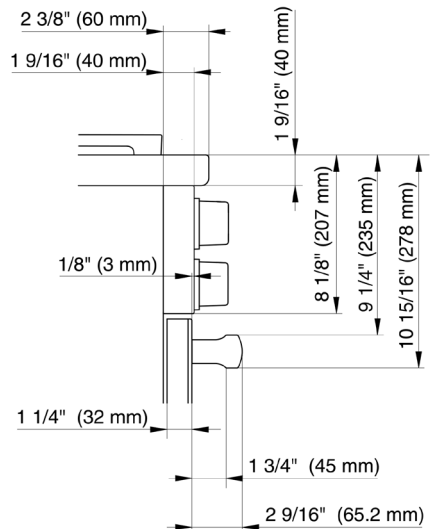
(x) = Toe-kick height adjustment 5" - 6 1/2" (127 mm - 165.1 mm)  
 E = Electrical connection  
 G = Gas connection  
 W = Water connection (HR 1622i Only)

### SIDE VIEW



(x) = Toe-kick height adjustment 5" - 6 1/2" (127 mm - 165.1 mm)

### BULLNOSE DETAILS



## 30" Electric and Induction Range

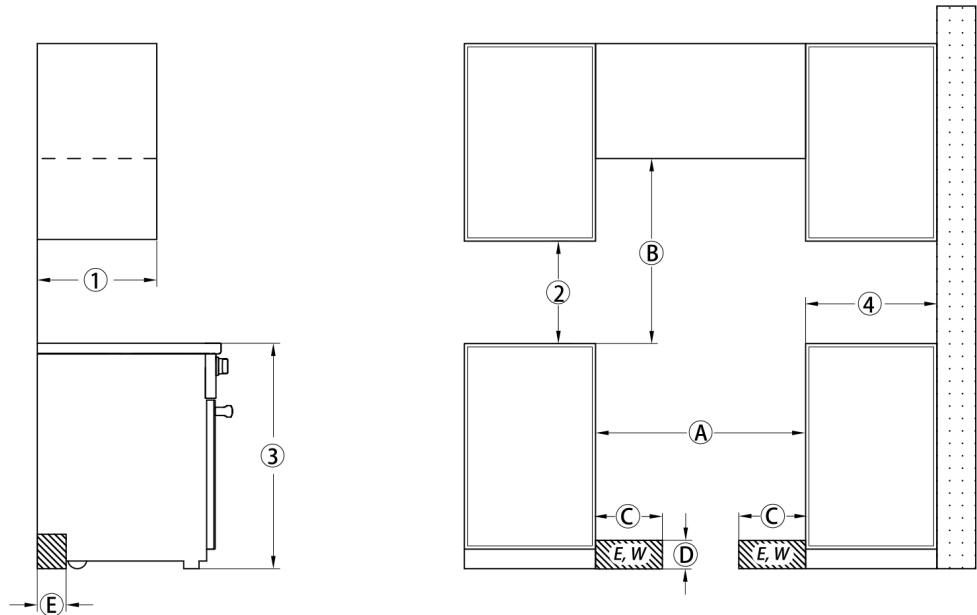
### Electric 30" Range Cooking Zones

#### HR1421 E Cooking Zones

5 <sup>1</sup> / <sub>16</sub> " diameter	1200W	(208V/240V)
4 <sup>3</sup> / <sub>4</sub> -7" diameter	1100-2400W	(208V/240V)
5 <sup>1</sup> / <sub>16</sub> -8 <sup>1</sup> / <sub>4</sub> " diameter	1700-1800W	(208V/240V)
8 <sup>1</sup> / <sub>4</sub> -10 <sup>5</sup> / <sub>8</sub> " diameter	2000-2800W (208V) 2300-3100 (240V)	
Total Power Output	8,200W (208V) 8,500W (240V)	

#### HR1622i Cooking Zones

4-6 <sup>1</sup> / <sub>4</sub> " diameter	1250-2000W (208V) 1450-2300W (240V)	
5 <sup>1</sup> / <sub>2</sub> -7 <sup>3</sup> / <sub>4</sub> " diameter	1700-2700W (208V) 1950-3100W (240V)	
6 <sup>1</sup> / <sub>4</sub> -9" diameter	2100-3500W (208V) 2400-3850W (240V)	
7-11" diameter	2300-3350W (208V) 2700-3850W (240V)	
Total Power Output	6,700W (208V) 7,700W (240V)	



Ⓒ, Ⓓ, Ⓔ The shaded area represents the installation area for the connections:  
 E = Electrical connection,  
 W = Water connection (only HR 1622)

Position	Dimensions	Description	
Ⓐ	13" (330 mm)	Maximum depth of top cabinet	
Ⓑ	18" (547 mm)	Minimum distance to bottom edge of top cabinet	
Ⓒ	35 1/2"-37" (901-940 mm)	Distance from the floor to cooktop surface	
Ⓓ	min. 30" (762 mm)	Niche width	
Ⓔ	30" (762 mm)	Minimum distance between the top of the cooking area and the bottom of an unprotected combustible surface.	
	or 24" (609 mm)	Minimum distance to a protected combustible surface or when a Miele Ventilation Hood is installed.	
For all other hoods please consult the manufacturer's specifications for required distances.			
Ⓒ	approx. 10 13/16" (274 mm)	Maximum connection width right and left	Position of the wall socket
Ⓓ	approx. 4 1/2" (115 mm)	Maximum connection height	
Ⓔ	approx. 2 13/16" (72 mm)	Maximum connection depth	