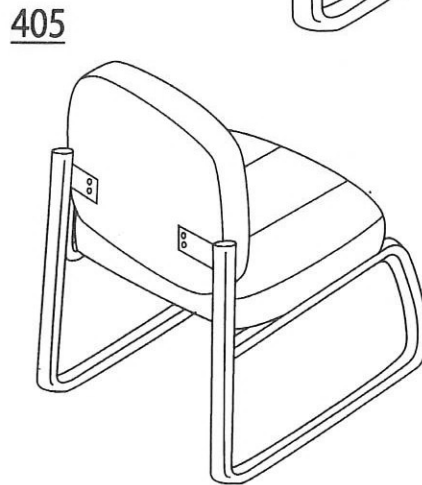
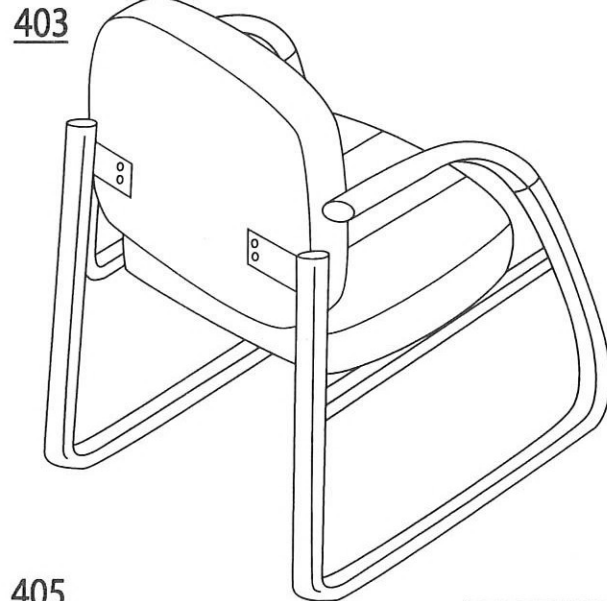
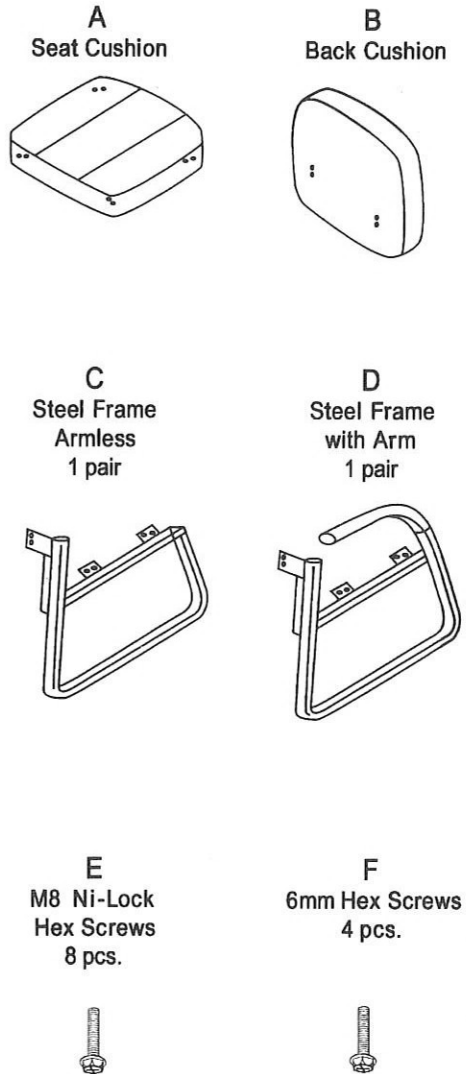


Model 403 / 403-VAM / 405 / 405-VAM Guest / Reception Chairs

Parts Listing

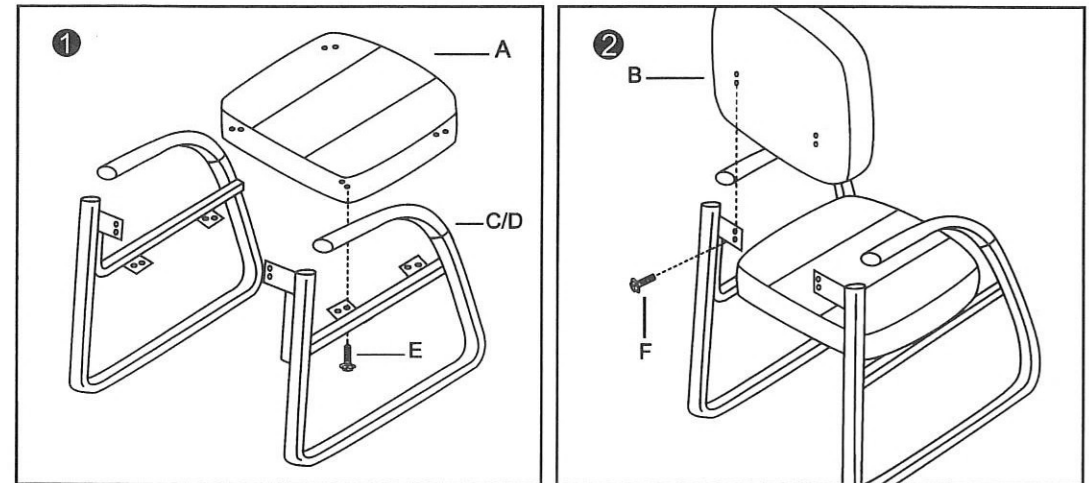


Assembly Instructions



Tools Needed: Phillips Head Screwdriver
Please read all instructions before assembly.

- Step 1:** Mount both sides of Seat Cushion (A) onto the bottom rib of the steel frame (C or D), with special coated Ni-Lock Screws (E) and tighten with screwdriver.
- Step 2:** Place the Back Cushion (B) onto the back rib on top of the side Steel Frame (C or D), attach it with the Hex Screws (F) and tighten with screwdriver.



WEIGHT CAPACITY: 250 lbs.

Assembly Notes:

During assembly, hand tighten screw only when all screws are in place, you may then tighten all screws completely.

CAUTION:

1. Do not use this chair as a step ladder.
2. Check for loose screws and tighten them every 6 months.

Missing Parts? Assembly Questions?

Call us at 1-866-816-3822 or email help@regencyof.com for immediate assistance.