



CARE AND USE GUIDE

VACUUM INSULATED STAINLESS STEEL DIRECT DRINK BOTTLE

GENERAL CARE

- Before first use, wash all parts with warm, soapy water. Rinse all parts thoroughly and allow time to dry.
- Contents should not be left in the container for longer than 24 hours. As soon as possible after each and every use, wash all parts with warm, soapy water. Rinse all parts thoroughly with clean water. Allow all parts to dry completely prior to next use or storage
- DO NOT use abrasive cleaners or scrubbers since they may dull the finish.
- DO NOT use bleach or cleaners containing chlorine on any parts of the product.
- This product is top-rack dishwasher safe; however, hand washing is recommended as the dishwasher uses harsher detergents and hot water that may affect the appearance of your product.
- Residual liquids, foods, or other contents may become trapped between product components, such as lid parts, container parts, gaskets (flexible band around lid and/or stopper), or straws (if present in the product). Although this product is top-rack dishwasher safe, hand washing is recommended to ensure that all parts of the product are thoroughly cleaned.

ASSEMBLY & USE

Direct Drink Lid with Lock Ring (If present):

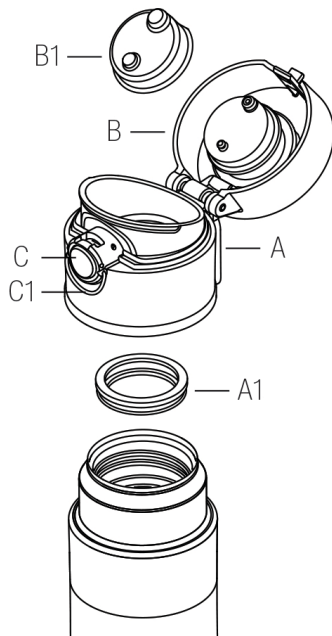


Image for reference only: actual product may vary

1. Remove lid (A) by twisting counterclockwise.
2. Pull down the locking ring (C1) located on the lid (A). Press the push-button (C) on the lid (A) to open lid cover (B).
3. Remove o-ring gasket (A1) from underside of lid (A).
4. Remove lid cover gasket (B1) from lid cover (B).
5. Wash all parts separately, then re-assemble.
 - a. Ensure both gaskets (A1 and B1) are properly seated to minimize leaking.
6. Fill container with contents. Do not overfill: Leave space for the lid (A), to avoid overflow.
7. Replace the lid (A) by twisting it clockwise.
8. To drink, pull down the locking-ring (C1) (if present) located on lid (A) of the bottle. Push the button (C) located on the lid (A) of the bottle, which will release the lid cover (B) and reveal the drink opening.
9. When finished drinking, close and lock the lid cover (B) by securing the locking-ring (C1) over the button (C).

Direct Drink Lid with Tea Infuser (If present):

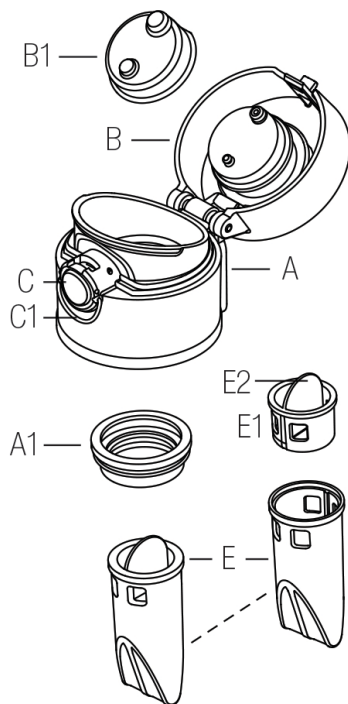


Image for reference only: actual product may vary

1. Remove lid (A) by twisting counterclockwise. Follow above instructions for opening and cleaning the Direct Drink Lid.
2. Remove the tea infuser (E) from the o-ring gasket (A1) by gently pulling it in a downward direction.
3. Remove the top of the tea infuser (E1) by gently pulling up on the black tab (E2).
4. Wash all parts separately.
5. Insert tea leaves into the tea infuser (E) and replace the top of the tea infuser (E1).

6. Hold the tea infuser (E) upright and gently push the tea infuser into the o-ring (A1) on the lid (A).
7. Fill container with hot water up to the desired height. If the tea infuser (E) is not fully submerged in water, close and lock the product and tip product to infuse from any angle. Do not overfill: Leave space for the lid (A) and the rest of the tea infuser (E), to avoid overflow.
8. For best tea brewing results, follow the instructions provided by the manufacturer of your tea.
9. Carefully remove tea infuser from bottle after brewing. – Use caution when removing as the tea infuser may be hot. Replace lid and sip cautiously.
10. To drink, pull down the locking-ring (C1) (if present) located on lid (A) of the bottle. Push the button (C) located on the lid (A) of the bottle, which will release the lid cover (B) and reveal the drink opening.
11. When finished drinking, close and lock the lid cover (B) by securing the locking ring (C1) over the button (C).

Direct Drink Lid with Slide Lock (If present):

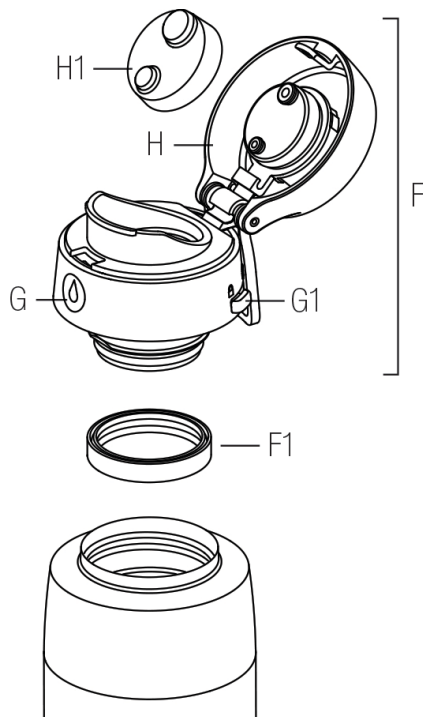


Image for reference only: actual product may vary

1. Remove lid (F) by twisting counterclockwise.
2. Unlock the slide lock (G1) by sliding the lever to the “unlocked” position.
3. Press the push-button (G) on the front of the lid (F) to open lid cover (H).
4. Remove o-ring gasket (F1) from underside of lid (F).
5. Remove lid cover gasket (H1) from lid cover (H).
6. Wash all parts separately, then re-assemble.
 - a. Ensure both gaskets (F1 and H1) are properly seated to minimize leaking.

7. Fill container with contents. Do not overfill: Leave space for the lid (F), to avoid overflow.
8. Replace the lid (F) by twisting it clockwise.
9. To drink, push the button (G) located on the lid (F) of the bottle, which will release the lid cover (H) and reveal the drink opening.
10. When finished drinking, close and lock the lid cover (H) and lock the product by switching the slide lock (G1) to the "locked" position.

WARNINGS

- DO NOT use product in microwave, on stove-top, or in any type of oven.
- NOT RECOMMENDED FOR USE BY CHILDREN: Keep out of the reach of children, especially when product contains hot contents, which may burn or scald user.
- Always test temperature of contents before consuming.
- DO NOT overfill the container: Leave space at top of container for lid and stopper (if present), to avoid overflow. Hot contents may burn or scald user if overflow occurs.
- Check periodically to make sure any gasket (flexible band around lid and/or stopper) is present and properly positioned to prevent contents from passing through lid when lid is closed. Missing, worn or misaligned gaskets may cause product to leak. Leakage of hot contents may burn or scald user.
- In general, contents should not be left in container for longer than 24 hours. However, the rate at which contents spoil depends on several factors. Certain contents that include, for example, dairy and/or tomato may start to spoil sooner. Proceed with caution when using the product with quick spoiling contents.
- If contents are left in container longer than 24 hours, or you suspect spoilage, use caution when opening container. Contents spoilage can cause pressure inside container to build, possibly leading to forceful ejection of stopper or contents. In such circumstances, before attempting to open container, ENSURE THE OPENING IS POINTED AWAY FROM THE USER OR OTHER PERSONS TO AVOID INJURY.
- DO NOT use tools or devices to force container to open.
- If you are unable to open container by hand, do not open it and dispose of it at your local waste facility.
- DO NOT use to store or carry carbonated drinks or dry ice. This may cause lid/stopper and contents to eject forcefully or leak.

LIMITED WARRANTY

Thermos L.L.C. warrants this Genuine Thermos Brand product to be free from defects in material or workmanship for one year from date of purchase. This warranty does not cover ordinary wear and tear or color fading, or any condition affected by abuse, neglect, alteration, accident or improper use or maintenance.

We will, at our option, repair or replace any product component part that fails to conform to this warranty within 30 days after its receipt by our factory service department. IN NO EVENT WILL THERMOS BE LIABLE FOR INCIDENTAL, CONSEQUENTIAL OR SPECIAL DAMAGES.

Some jurisdictions do not allow the exclusion of incidental, consequential or special damages, so the preceding exclusion may not apply to you.
This is a factory guarantee.
Please do not return this product to the retailer.

Send defective unit or component along with written explanation of defect directly to:
Thermos L.L.C. - Warranty Service
355 Thermos Road Batesville, MS 38606, USA
1-800-831-9242
www.thermos.com

In Canada:
1-800-669-7065

www.thermosbrand.ca

This warranty gives you specific legal rights and you may also have other rights, which vary from state to state or province to province.

THE FOREGOING WARRANTY IS EXCLUSIVE AND IN LIEU OF ALL OTHER WARRANTIES, REPRESENTATIONS OR CONDITIONS OF QUALITY AND PERFORMANCE, WHETHER WRITTEN, ORAL OR IMPLIED, INCLUDING ANY IMPLIED WARRANTIES OF MERCHANTABILITY OR FITNESS FOR A PARTICULAR PURPOSE. SUCH IMPLIED WARRANTIES, REPRESENTATIONS AND CONDITIONS ARE HEREBY DISCLAIMED. THE REMEDIES STATED HEREIN CONSTITUTE PURCHASER'S EXCLUSIVE REMEDIES AND THERMOS'S ENTIRE LIABILITY FOR ANY BREACH OF WARRANTY.

© 2017 Thermos L.L.C. All rights reserved.

THERMOS is a registered trademark in over 115 countries.