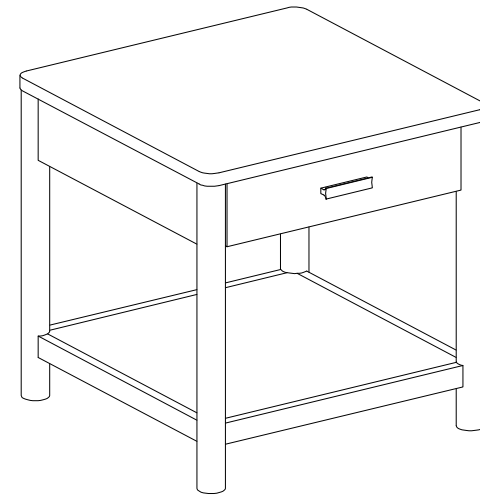


JAYLESSA WOOD 1 DRAWER END TABLE

DESIGN#SFV2182

Assembly Instructions



Need help?

Feel free to contact us via email or call
if you have any specific questions!

contact us:

cs@safavieh.com

866-422-9070

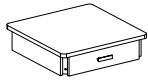
SAFAVIEH
C O U T U R E

Thanks for bringing Safavieh Couture into your home

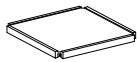
Everything we make is incredibly simple to set up, including your new end table. You won't need any additional tools.

Parts List

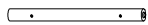
A x 1
Table Top



B x 1
Shelf



C x 4
Leg



Hardware List

HW1 x 8
Hex Socket Bolt 5/16"-18 x 2.5"



HW2 x 1
Allen Key M4

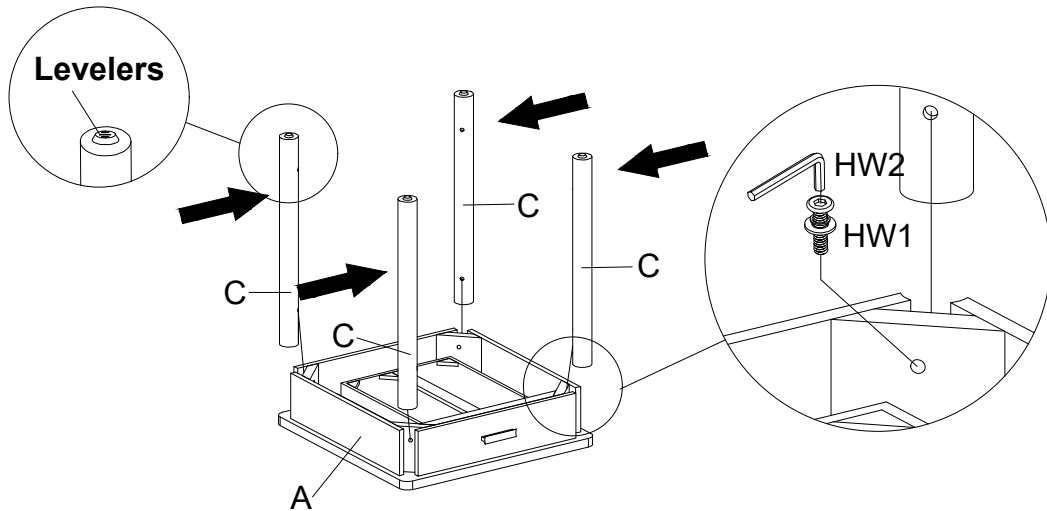


HW3 x 1
Anti-Tip Hardware



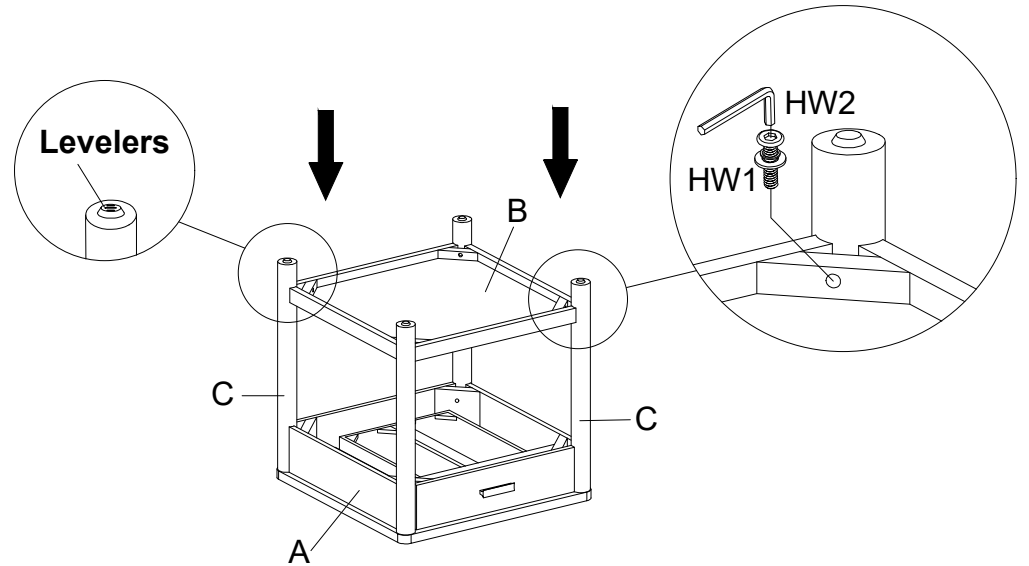
1

Attach the Legs (C) to the Table Top (A) by using the Allen key (HW2) to screw in the Hex Socket Bolts (HW1) as shown.



2

Attach the Shelf (B) onto the Legs (C) by using the Allen key (HW2) to screw in the Hex Socket Bolts (HW1) as shown.



3

Turn the table upright. Use the levelers on the bottom of the legs to adjust the table as needed. Place the end table in the position where you will use it. Follow the installation instructions of the Anti-Tip Kit (HW3) to attach the product to the wall. We'd love to see it - just tag us (we're @safavieh) and use the hashtag #safavieh on Instagram!

