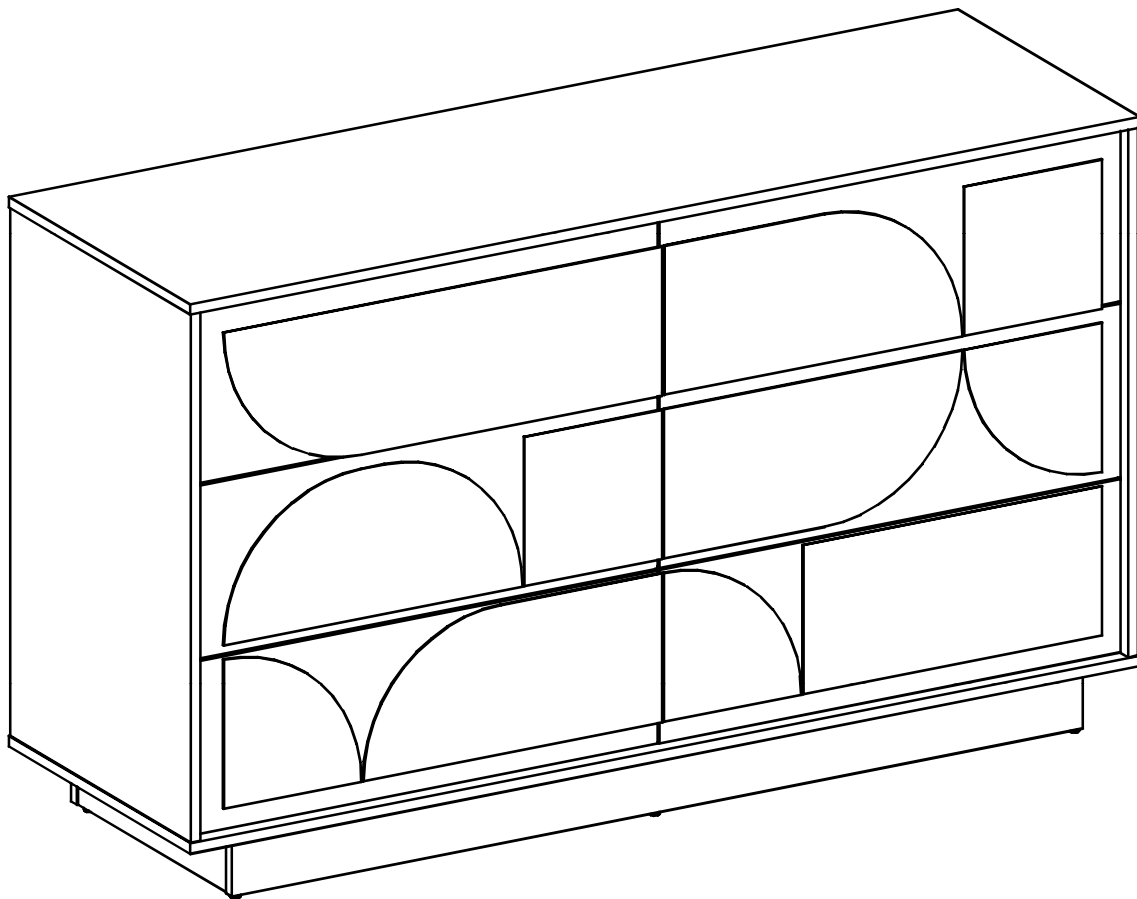


## ASSEMBLY INSTRUCTIONS

# MOD-7163

V0.06.06.24



### Questions? Contact us!

609.256.9000 • [cs@modway.com](mailto:cs@modway.com)  
[www.modway.com](http://www.modway.com)

\*modway

# Let's get started!

\*modway



Read through all of the instructions before starting



Care instructions are listed in the last step of this manual



Approx. 90 minutes assembly time



Make sure you have all parts and components before discarding any packing materials



2 people recommended for assembly

**Only use hand tools to assemble this item.** Do not use power tools. Do not tighten bolts or screws completely until all hardware is lined up and inserted into the holes.

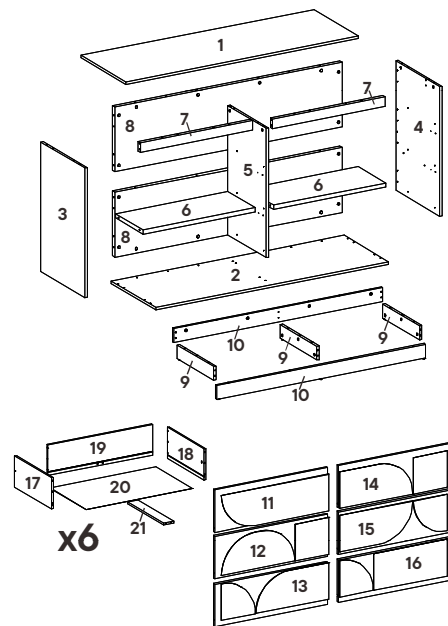
Do not over-tighten screws and bolts to avoid stripping the hardware or cracking the item.

Assemble your item on a flat, carpeted area, with plenty of space to work. This will prevent damage and scratches to your floors or the item while you're assembling the product.

Keep all components and packaging out of reach of children or animals to avoid risk of choking or suffocation.

## Furniture components:

1	Top Board	x1	14	Top Right Front Drawer	x1
2	Bottom Board	x1	15	Middle Right Front Drawer	x1
3	Left Board	x1	16	Bottom Right Front Drawer	x1
4	Right Board	x1	17	Left Drawer	x6
5	Divider Board	x1	18	Right Drawer	x6
6	Fix Shelf	x2	19	Rear Drawer	x6
7	Top Support	x2	20	Bottom Drawer	x6
8	Rear Board	x2	21	Bottom Support Drawer	x6
9	Bottom Small Support	x3			
10	Bottom Large Support	x2			
11	Top Left Front Drawer	x1			
12	Middle Left Front Drawer	x1			
13	Bottom Left Front Drawer	x1			



## Provided hardware:

A		Cam Lock Ø15 mm	x51	I		Cam Lock Ø12 mm	x18
B		Cam Bolt Ø7.5 x 32 mm	x69	J		Screw M6 x 15 mm	x16
C		Sticker Cover Ø20 mm	x63	K		Drawer Stopper	x8
D		Plastic Dowel M6 x 30 mm	x116	L		Screw M4 x 19 mm	x24
E		Screw M10 x 33.5 mm	x24	M		Backply Stopper	x24
F		Screw M6 x 8 mm	x24	N		Screw M6 x 9 mm	x12
G		Screw M6 x 13 mm	x24	O		Wall Bracket Set	x1
H		Drawer Runner	x6				

## What you need:

Phillips Head Screwdriver

Wait!

Missing parts or hardware? Need assistance?  
Contact us before returning your item. We're here to help!  
609.256.9000 • cs@modway.com

## Components Carton Placement

### Carton 1 of 2

Label	Description	Qty
3	Left Board	x1
4	Right Board	x1
5	Divider Board	x1
9	Bottom Small Support	x3
12	Middle Left Front Drawer	x1
13	Bottom Left Front Drawer	x1
14	Top Right Front Drawer	x1
15	Middle Right Front Drawer	x1
16	Bottom Right Front Drawer	x1
17	Left Drawer	x6
18	Right Drawer	x6
19	Rear Drawer	x6
20	Bottom Drawer	x6
	Hardware Pack	x2

### Carton 2 of 2

Label	Description	Qty
1	Top Board	x1
2	Bottom Board	x1
6	Fix Shelf	x2
7	Top Support	x2
8	Rear Board	x2
10	Bottom Large Support	x2
11	Top Left Front Drawer	x1
21	Bottom Support Drawer	x6

**Wait!**

**Missing parts or hardware? Need assistance?**

Contact us before returning your item. We're here to help!

609.256.9000 • [cs@modway.com](mailto:cs@modway.com)

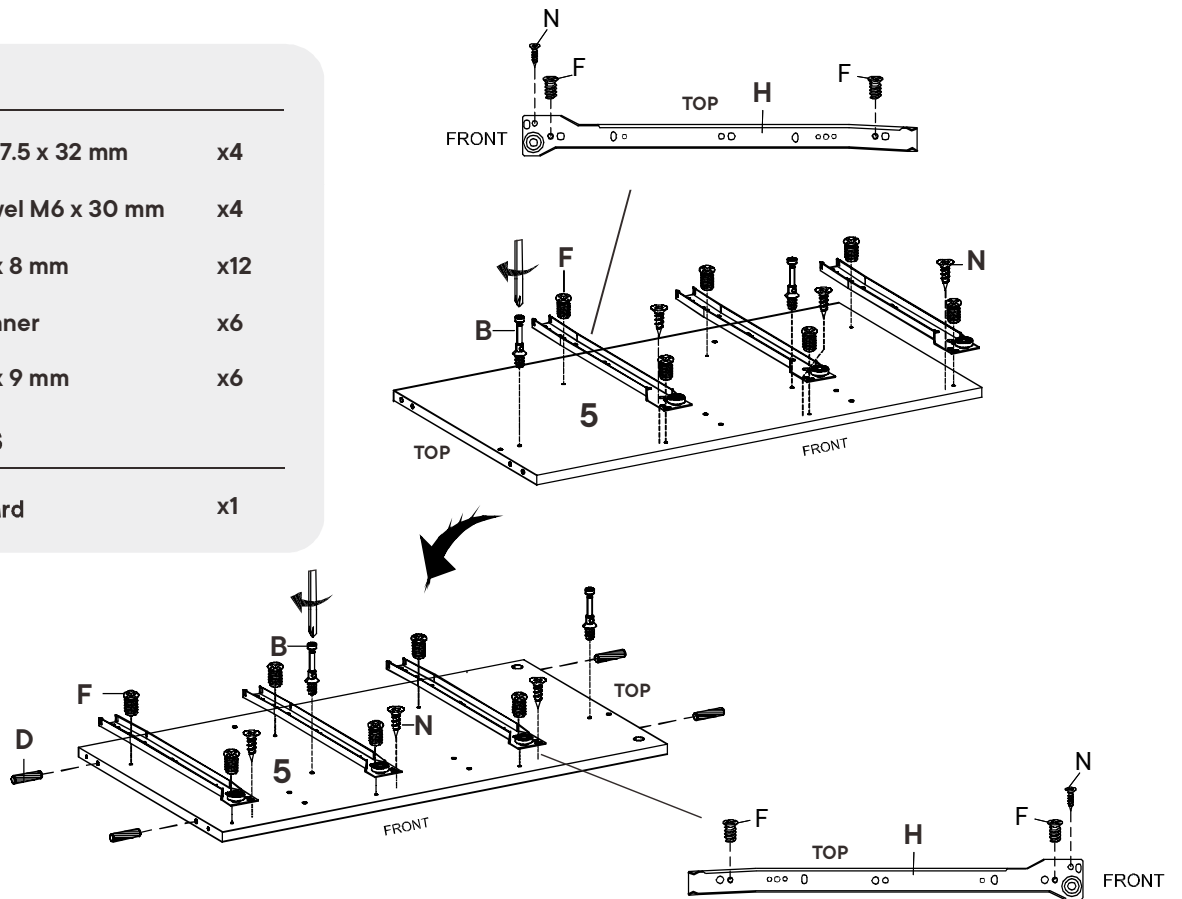
# Step 1

## HARDWARE

<b>B</b>	Cam Bolt $\varnothing 7.5 \times 32$ mm	x4
<b>D</b>	Plastic Dowel M6 x 30 mm	x4
<b>F</b>	Screw M6 x 8 mm	x12
<b>H</b>	Drawer Runner	x6
<b>N</b>	Screw M6 x 9 mm	x6

## COMPONENTS

<b>5</b>	Divider Board	x1
----------	---------------	----



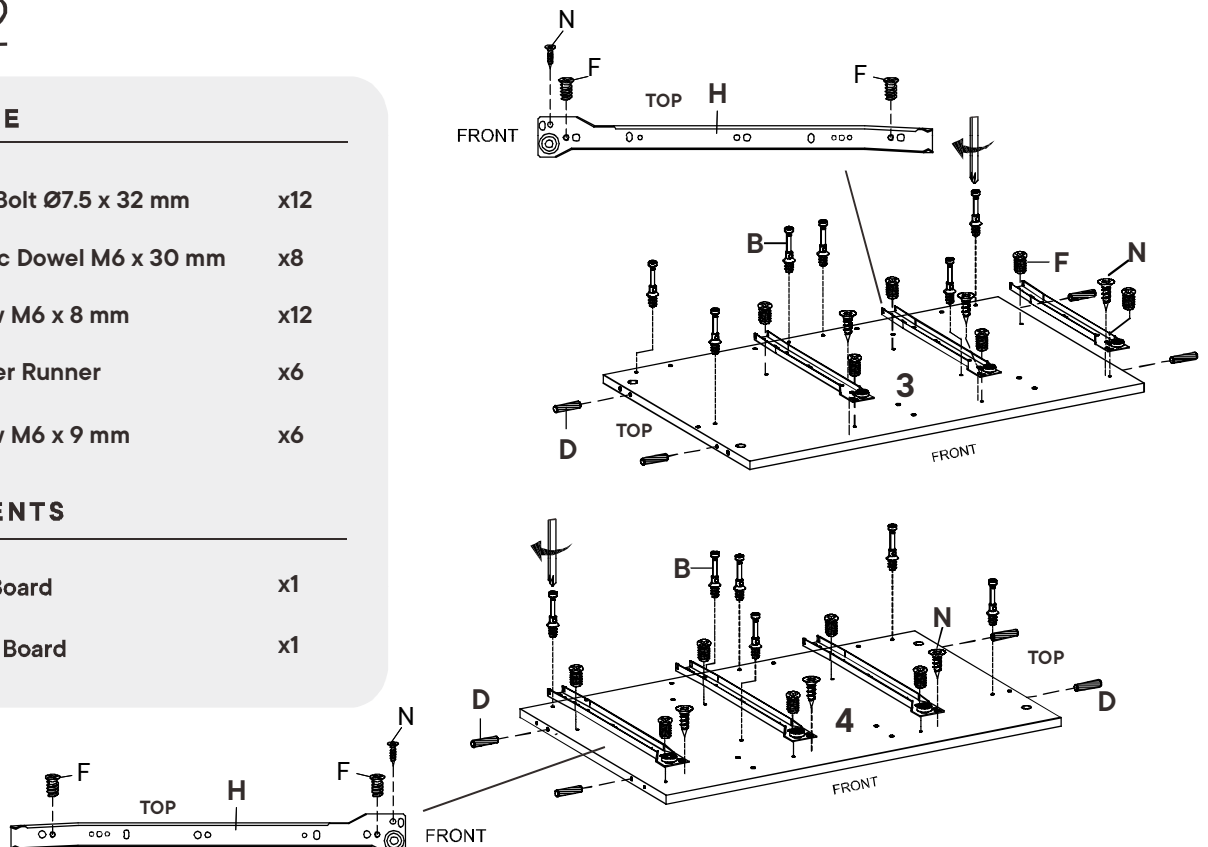
# Step 2

## HARDWARE

<b>B</b>	Cam Bolt $\varnothing 7.5 \times 32$ mm	x12
<b>D</b>	Plastic Dowel M6 x 30 mm	x8
<b>F</b>	Screw M6 x 8 mm	x12
<b>H</b>	Drawer Runner	x6
<b>N</b>	Screw M6 x 9 mm	x6

## COMPONENTS

<b>3</b>	Left Board	x1
<b>4</b>	Right Board	x1



# Step 3

## HARDWARE

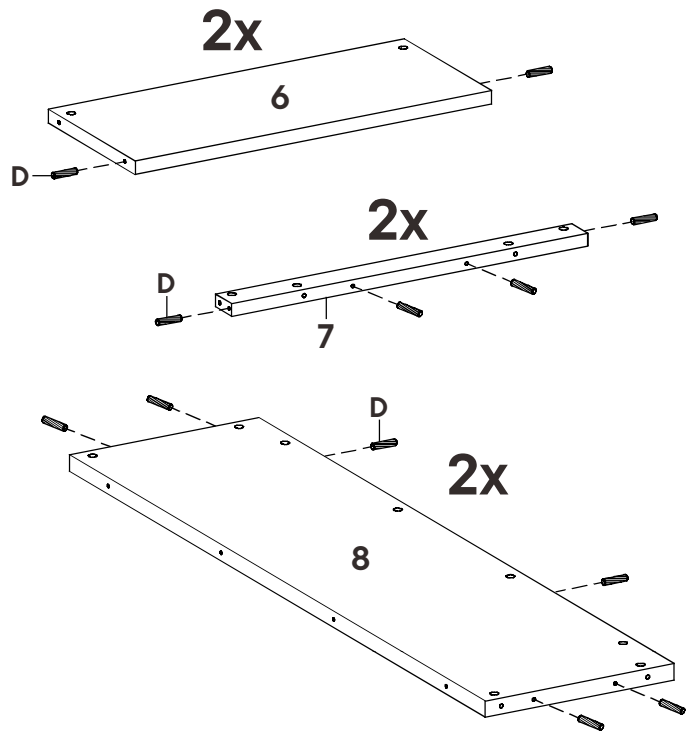
**D** Plastic Dowel M6 x 30 mm x24

## COMPONENTS

**6** Fix Shelf x2

**7** Top Support x2

**8** Rear Board x2



# Step 4

## HARDWARE

**B** Cam Bolt Ø7.5 x 32 mm x21

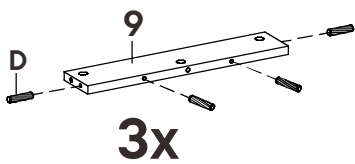
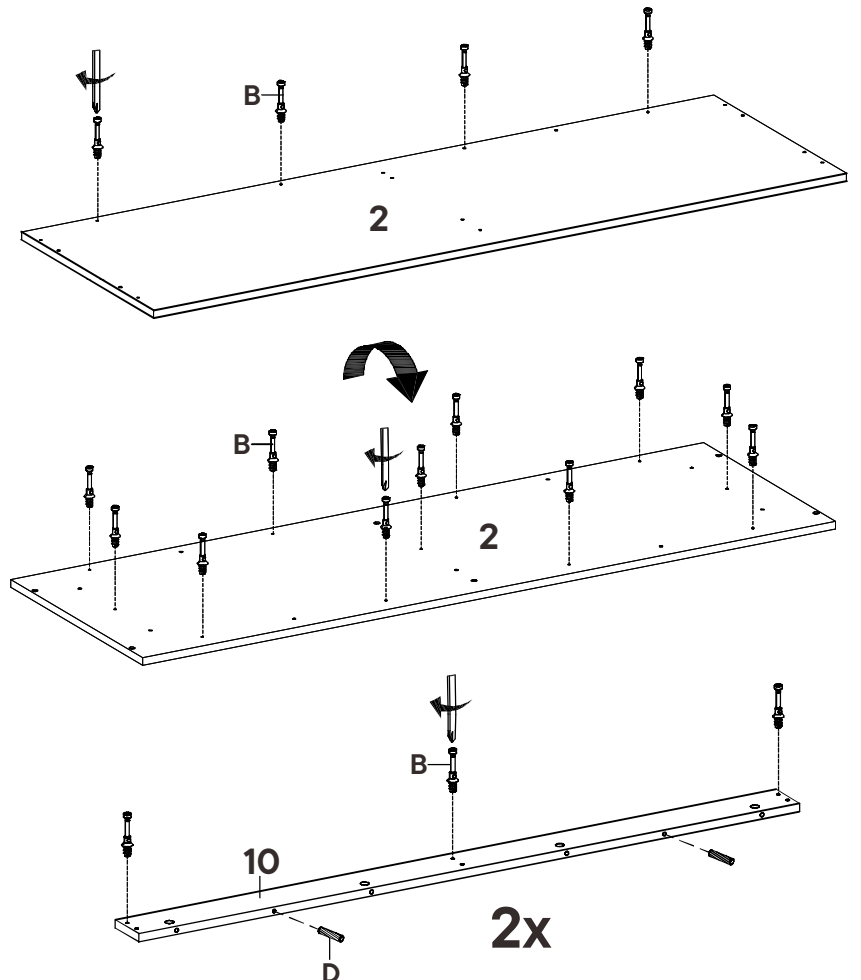
**D** Plastic Dowel M6 x 30 mm x16

## COMPONENTS

**2** Bottom Board x1

**9** Bottom Small Support x3

**10** Bottom Large Support x2



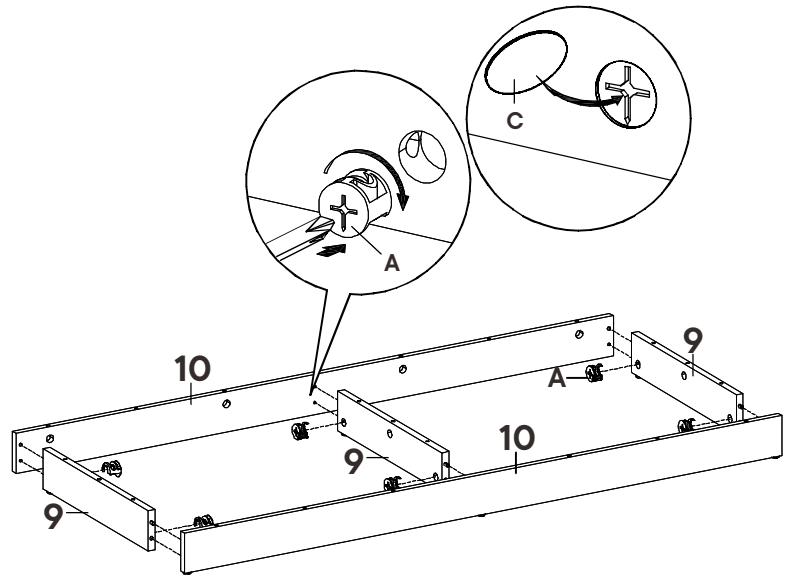
## Step 5

### HARDWARE

- A** Cam Lock Ø15 mm x6
- C** Sticker Cover Ø20 mm x6

### COMPONENTS

- 9** Bottom Small Support x3
- 10** Bottom Large Support x2



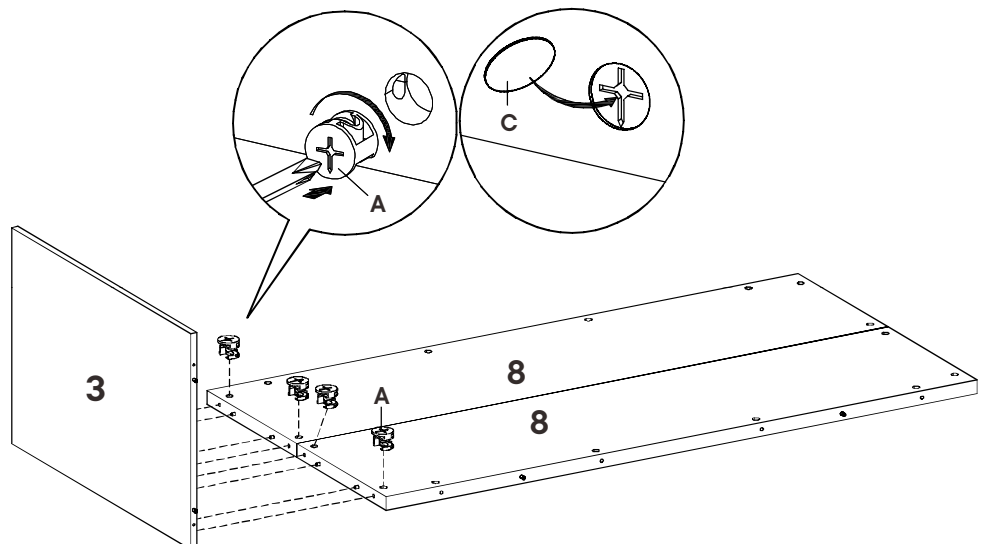
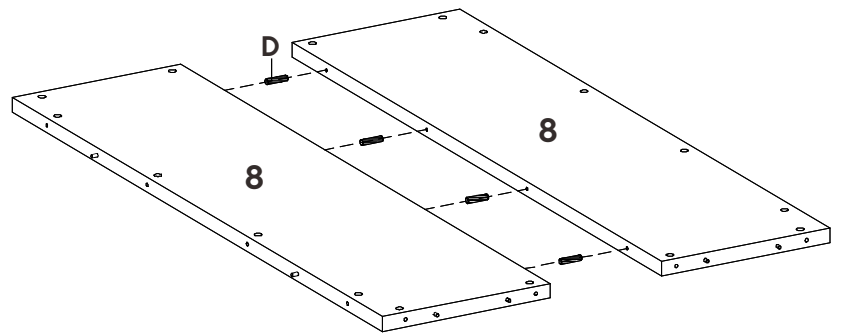
## Step 6

### HARDWARE

- A** Cam Lock Ø15 mm x4
- C** Sticker Cover Ø20 mm x4
- D** Plastic Dowel M6 x 30 mm x4

### COMPONENTS

- 3** Left Board x1
- 8** Rear Board x2



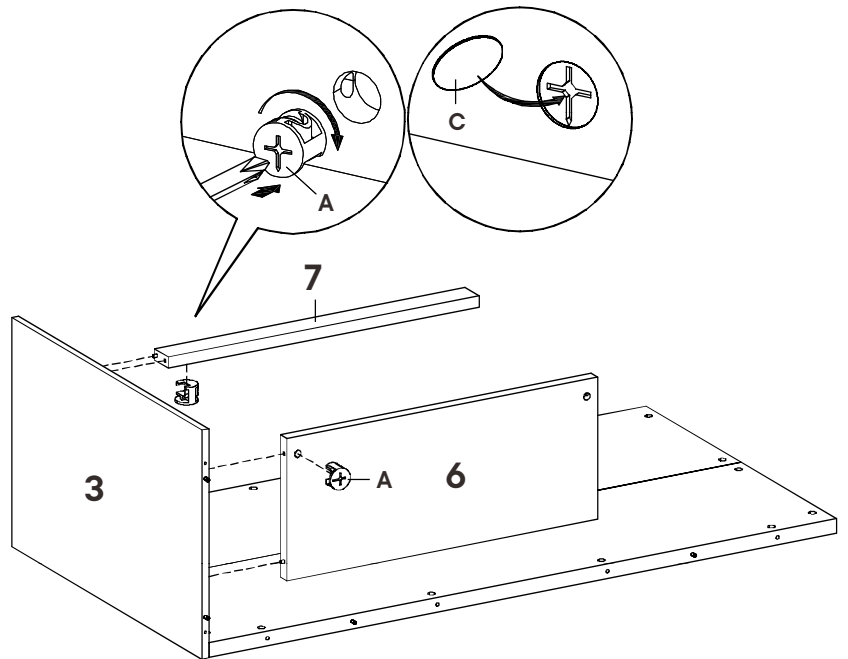
## Step 7

### HARDWARE

- A** Cam Lock Ø15 mm x2
- C** Sticker Cover Ø20 mm x2

### COMPONENTS

- 3** Left Board x1
- 6** Fix Shelf x1
- 7** Top Support x1



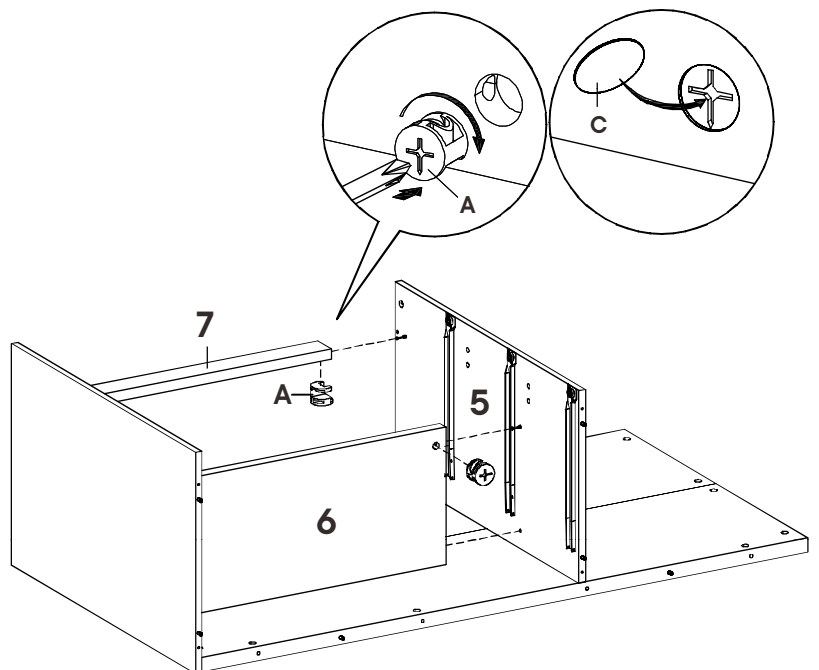
## Step 8

### HARDWARE

- A** Cam Lock Ø15 mm x2
- C** Sticker Cover Ø20 mm x2

### COMPONENTS

- 5** Divider Board x1
- 6** Fix Shelf x1
- 7** Top Support x1



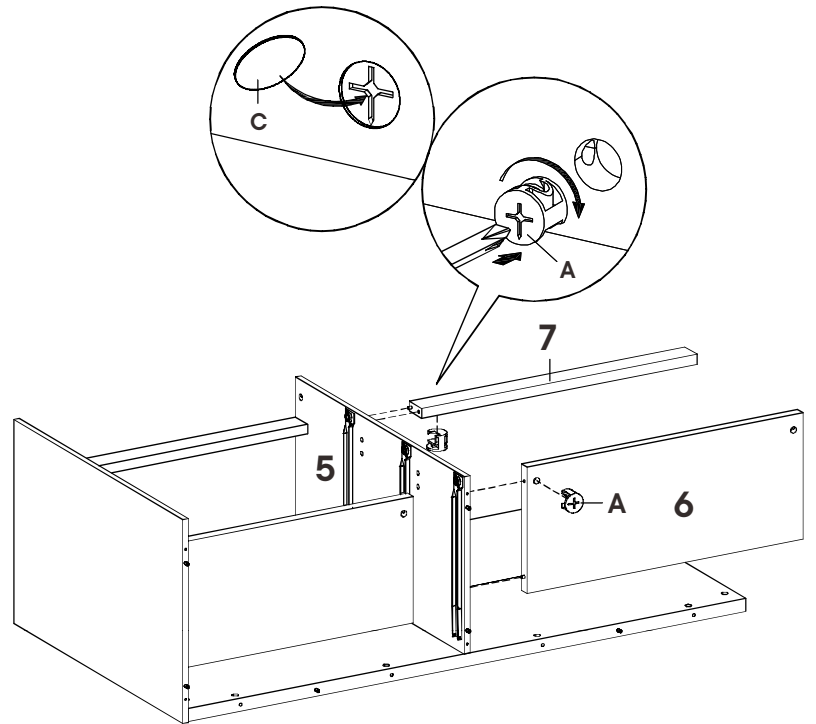
## Step 9

### HARDWARE

- A** Cam Lock Ø15 mm x2
- C** Sticker Cover Ø20 mm x2

### COMPONENTS

- 5** Divider Board x1
- 6** Fix Shelf x1
- 7** Top Support x1



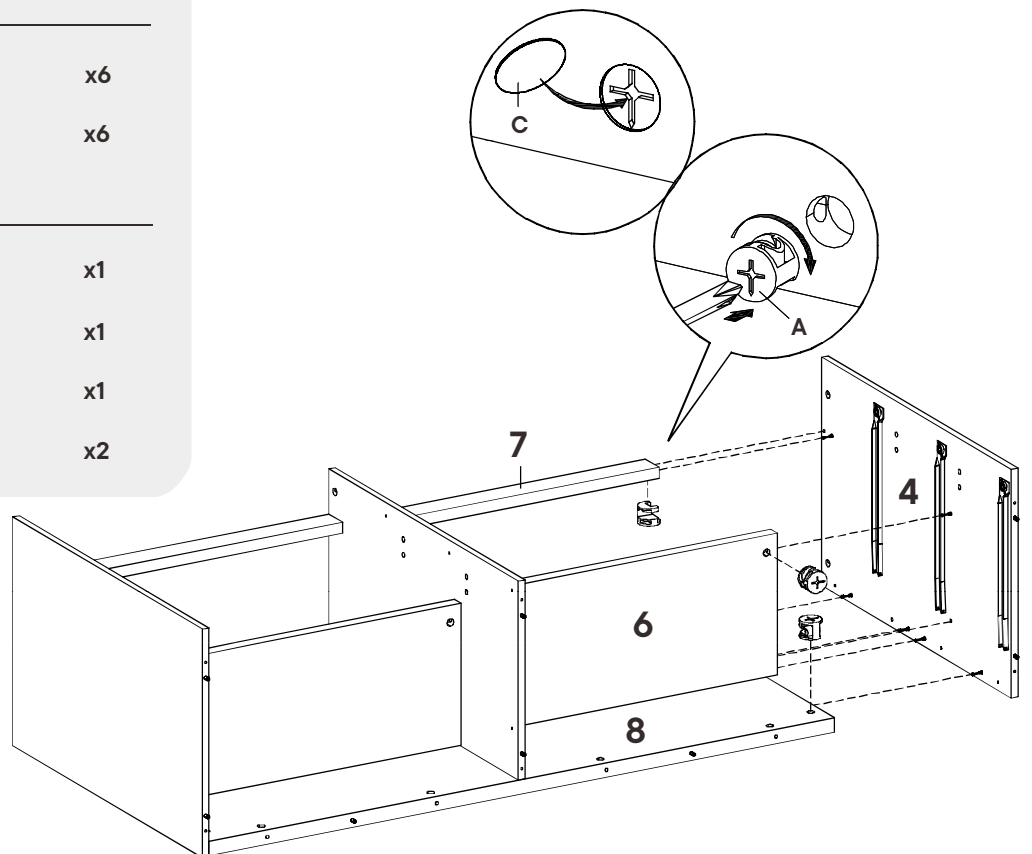
## Step 10

### HARDWARE

- A** Cam Lock Ø15 mm x6
- C** Sticker Cover Ø20 mm x6

### COMPONENTS

- 4** Right Board x1
- 6** Fix Shelf x1
- 7** Top Support x1
- 8** Rear Board x2



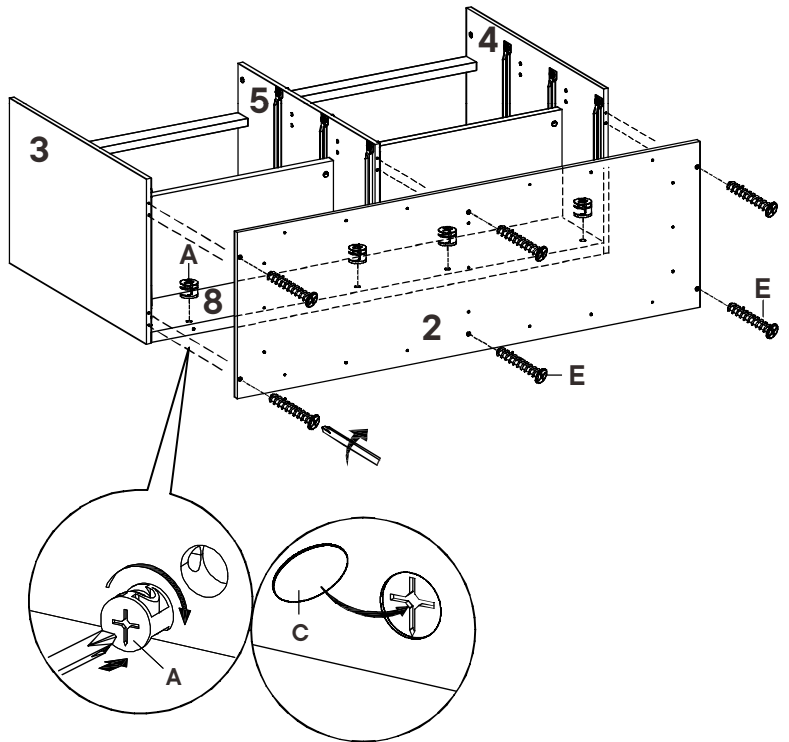
# Step 11

## HARDWARE

- A** Cam Lock Ø15 mm x4
- C** Sticker Cover Ø20 mm x4
- E** Screw M10 x 33.5 mm x6

## COMPONENTS

- 2** Bottom Board x1
- 3** Left Board x1
- 4** Right Board x1
- 5** Divider Board x1
- 8** Rear Board x1



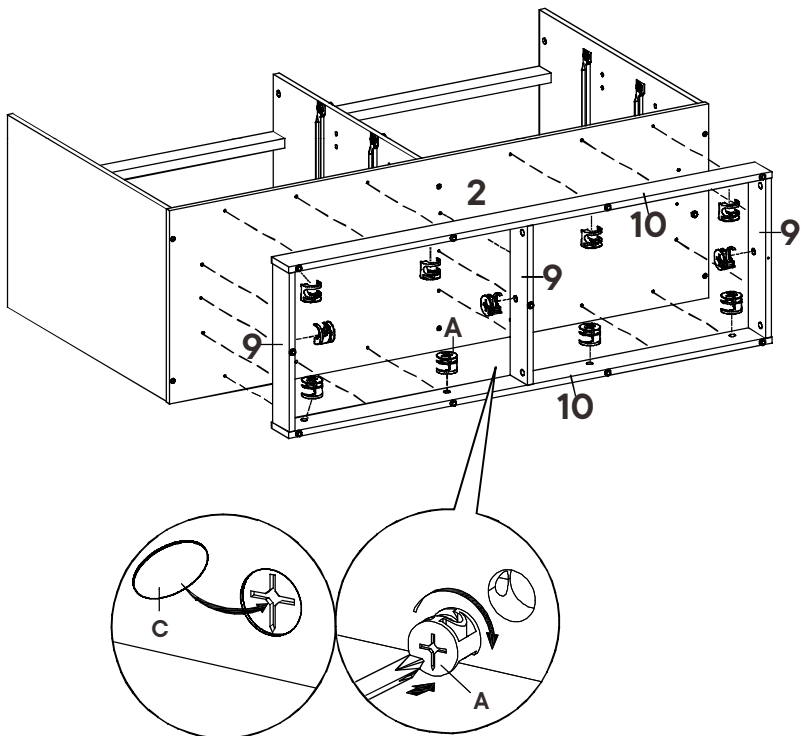
# Step 12

## HARDWARE

- A** Cam Lock Ø15 mm x11
- C** Sticker Cover Ø20 mm x11

## COMPONENTS

- 2** Bottom Board x1
- 9** Bottom Small Support x3
- 10** Bottom Large Support x2



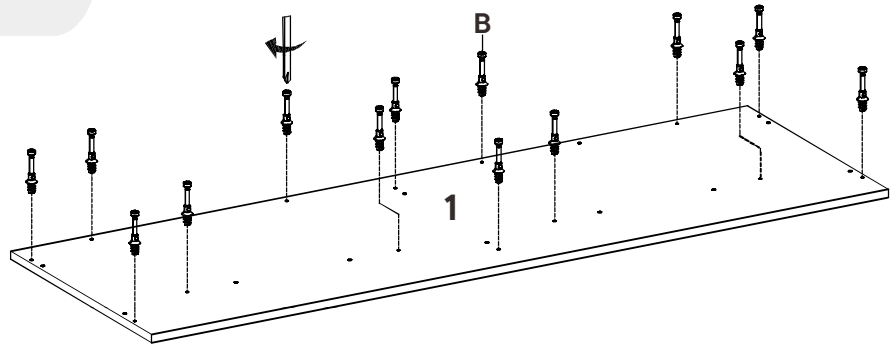
## Step 13

### HARDWARE

**B** Cam Bolt  $\varnothing 7.5 \times 32$  mm x14

### COMPONENTS

**1** Top Board x1



## Step 14

### HARDWARE

**A** Cam Lock  $\varnothing 15$  mm x14

**C** Sticker Cover  $\varnothing 20$  mm x14

### COMPONENTS

**1** Top Board x1

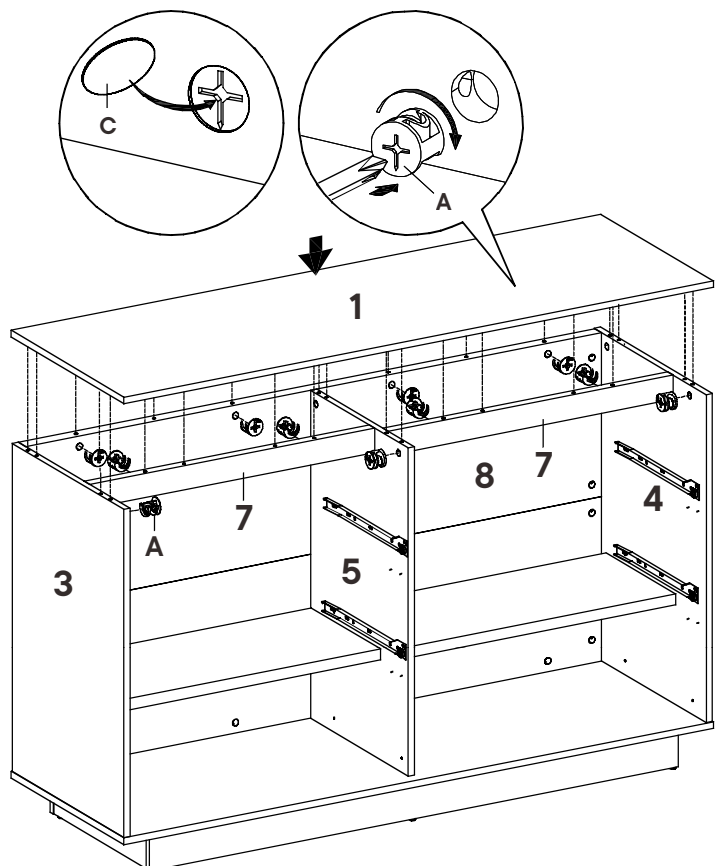
**3** Left Board x1

**4** Right Board x1

**5** Divider Board x1

**7** Top Support x2

**8** Rear Board x1



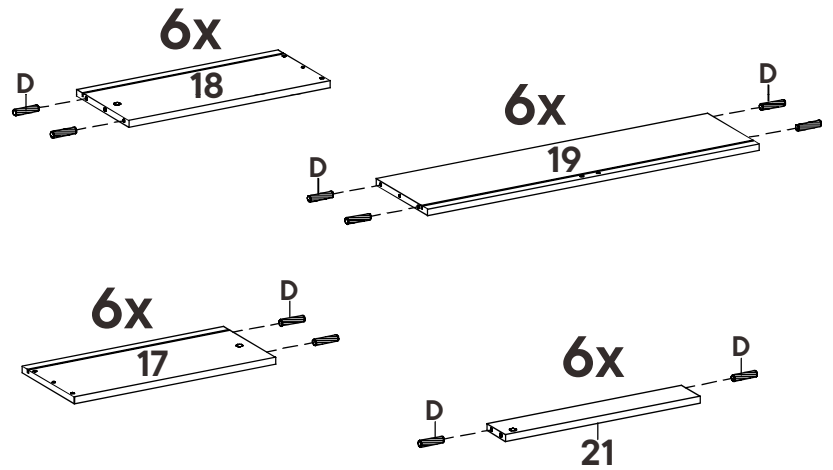
# Step 15

## HARDWARE

- D** Plastic Dowel M6 x 30 mm x60

## COMPONENTS

- 17** Left Drawer x6
- 18** Right Drawer x6
- 19** Rear Drawer x6
- 21** Support bottom Drawer x6



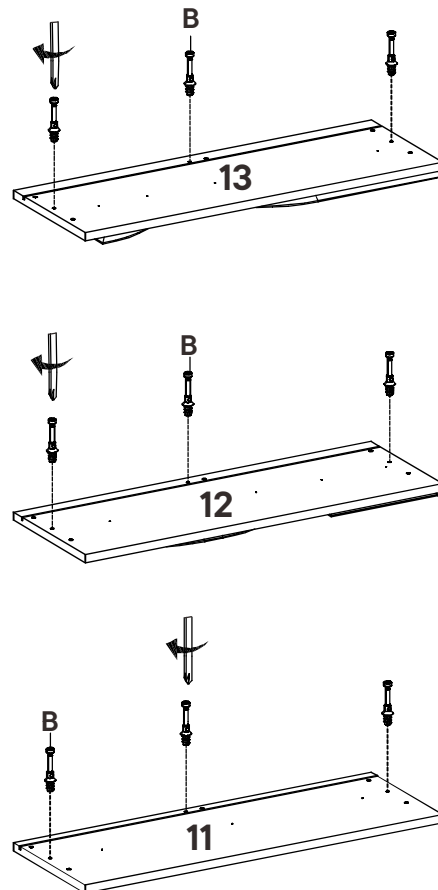
# Step 16

## HARDWARE

- B** Cam Bolt  $\varnothing 7.5 \times 32$  mm x9

## COMPONENTS

- 11** Top Left Front Drawer x1
- 12** Middle Left Front Drawer x1
- 13** Bottom Left Front Drawer x1



# Step 17

## HARDWARE

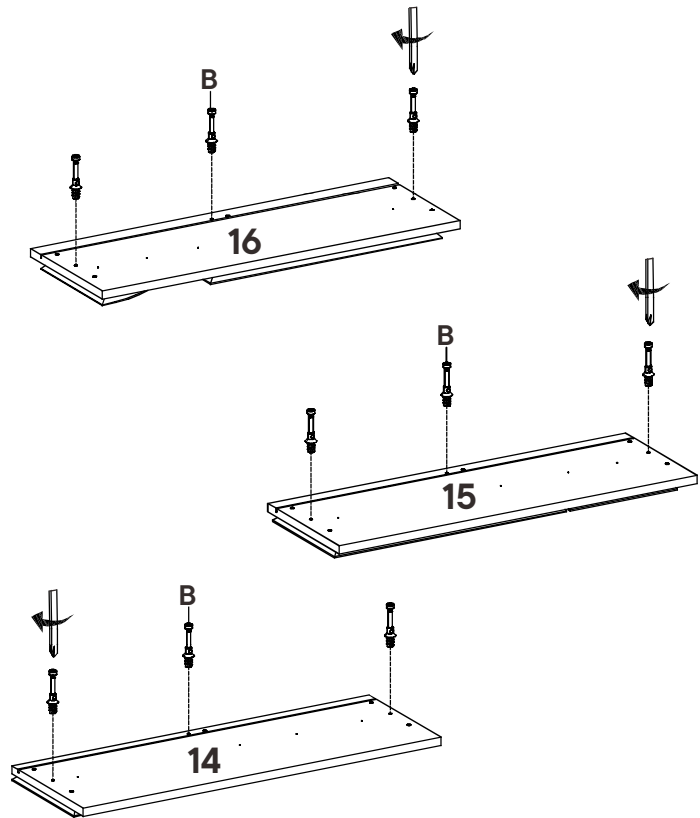
**B** Cam Bolt Ø7.5 x 32 mm x9

## COMPONENTS

**14** Top Right Front Drawer x1

**15** Middle Right Front Drawer x1

**16** Bottom Right Front Drawer x1



# Step 18

## HARDWARE

**E** Screw M10 x 33.5 mm x18

## COMPONENTS

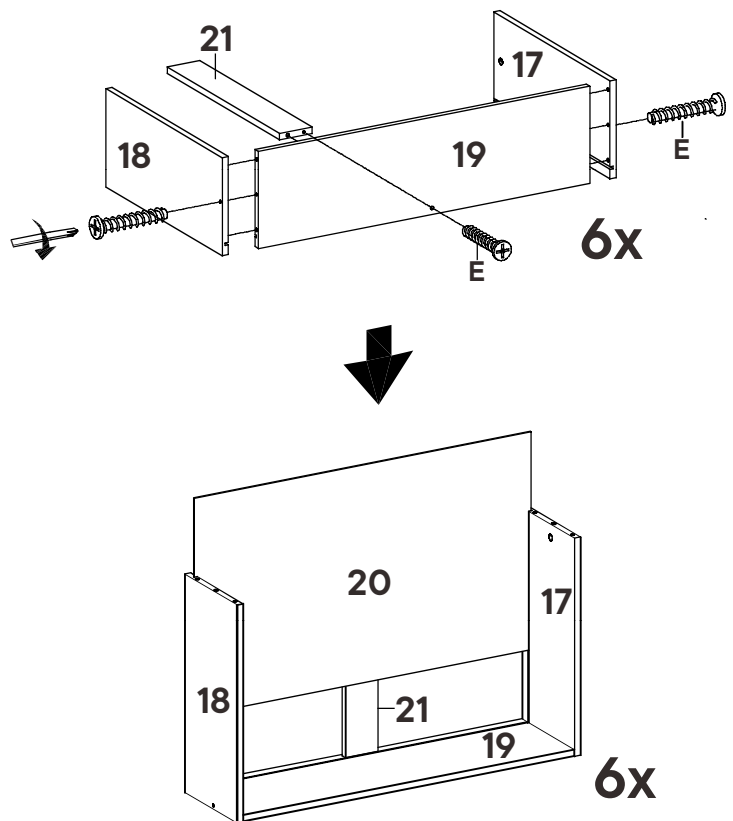
**17** Left Drawer x6

**18** Right Drawer x6

**19** Rear Drawer x6

**20** Bottom Drawer x6

**21** Support Bottom Drawer x6



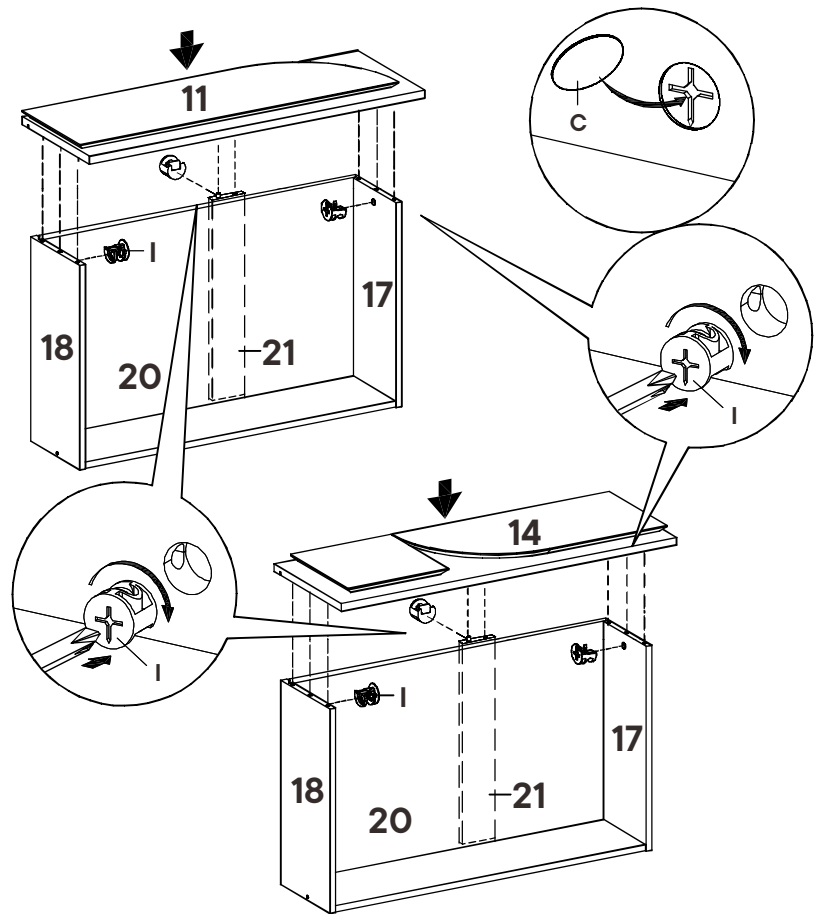
# Step 19

## HARDWARE

- I** Cam Lock Ø12 mm x6
- C** Sticker Cover Ø20 mm x4

## COMPONENTS

- 11** Top Left Front Drawer x1
- 14** Top Right Front Drawer x1
- 17** Left Drawer x2
- 18** Right Drawer x2
- 20** Bottom Drawer x2
- 21** Support Bottom Drawer x2



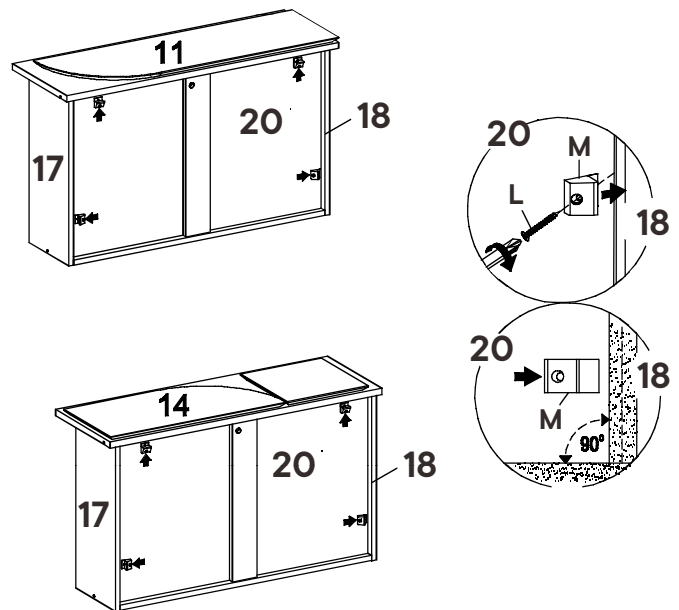
# Step 20

## HARDWARE

- L** Screw M4 x 19 mm x8
- M** Backply Stopper x8

## COMPONENTS

- 11** Top Left Front Drawer x1
- 14** Top Right Front Drawer x1
- 17** Left Drawer x2
- 18** Right Drawer x2
- 20** Bottom Drawer x2



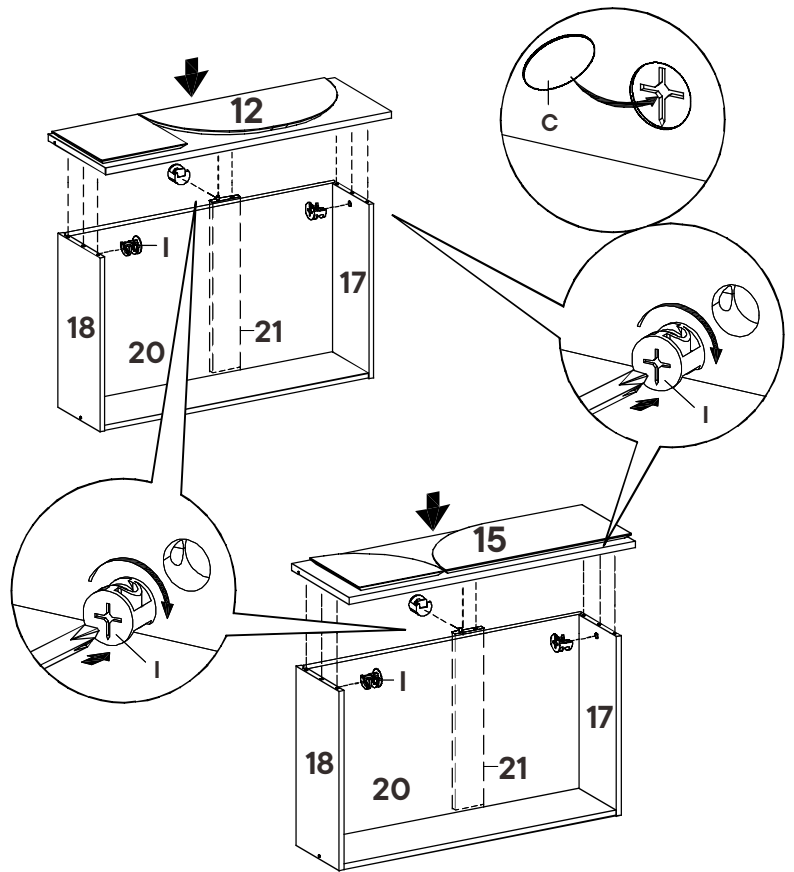
# Step 21

## HARDWARE

- I** Cam Lock Ø12 mm x6
- C** Sticker Cover Ø20 mm x4

## COMPONENTS

- 12** Middle Left Front Drawer x1
- 15** Middle Right Front Drawer x1
- 17** Left Drawer x2
- 18** Right Drawer x2
- 20** Bottom Drawer x2
- 21** Support Bottom Drawer x2



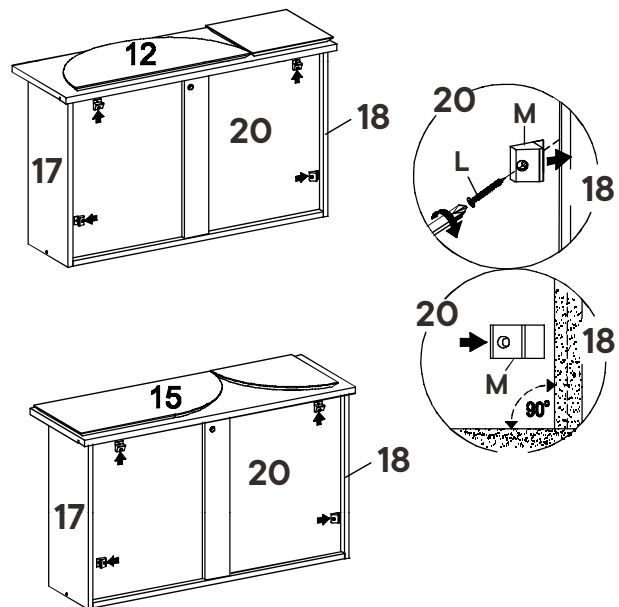
# Step 22

## HARDWARE

- L** Screw M4 x 19 mm x8
- M** Backply Stopper x8

## COMPONENTS

- 11** Middle Left Front Drawer x1
- 14** Middle Right Front Drawer x1
- 17** Left Drawer x2
- 18** Right Drawer x2
- 20** Bottom Drawer x2



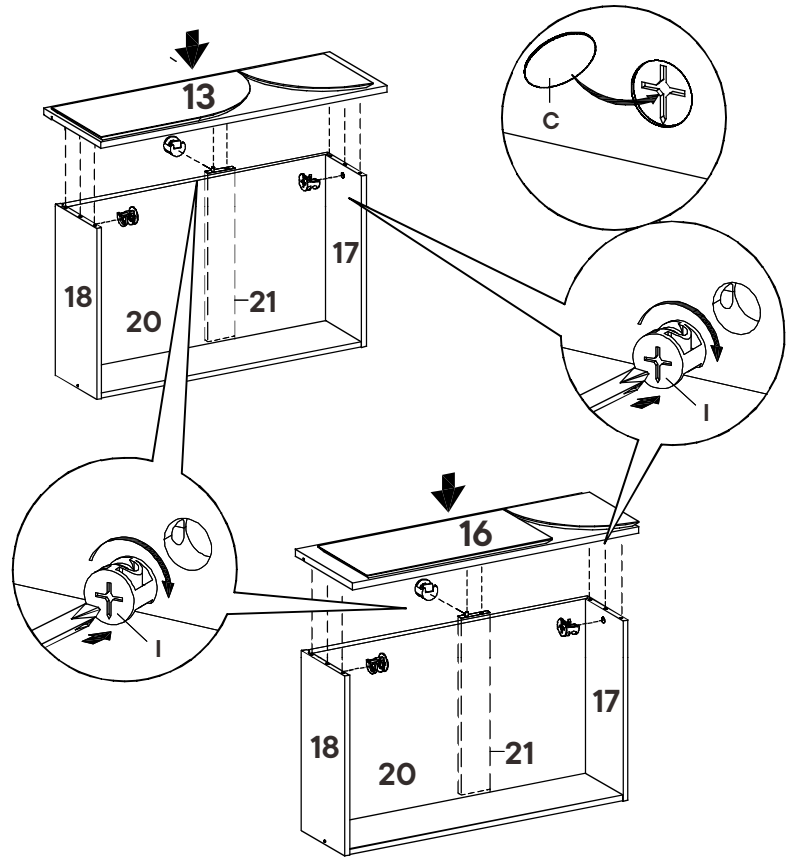
# Step 23

## HARDWARE

- I** Cam Lock Ø12 mm x6
- C** Sticker Cover Ø20 mm x4

## COMPONENTS

- 13** Bottom Left Front Drawer x1
- 16** Bottom Right Front Drawer x1
- 17** Left Drawer x2
- 18** Right Drawer x2
- 20** Bottom Drawer x2
- 21** Support Bottom Drawer x2



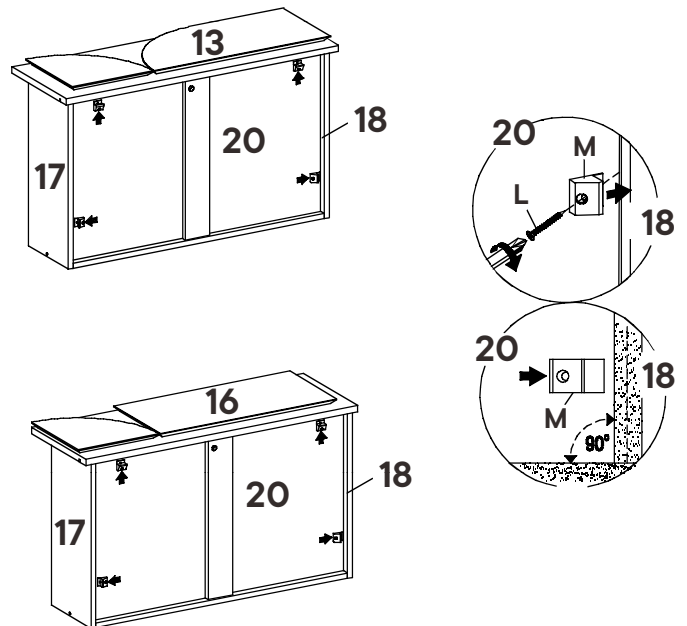
# Step 24

## HARDWARE

- L** Screw M4 x 19 mm x8
- M** Backply Stopper x8

## COMPONENTS

- 13** Bottom Left Front Drawer x1
- 16** Bottom Right Front Drawer x1
- 17** Left Drawer x2
- 18** Right Drawer x2
- 20** Bottom Drawer x2



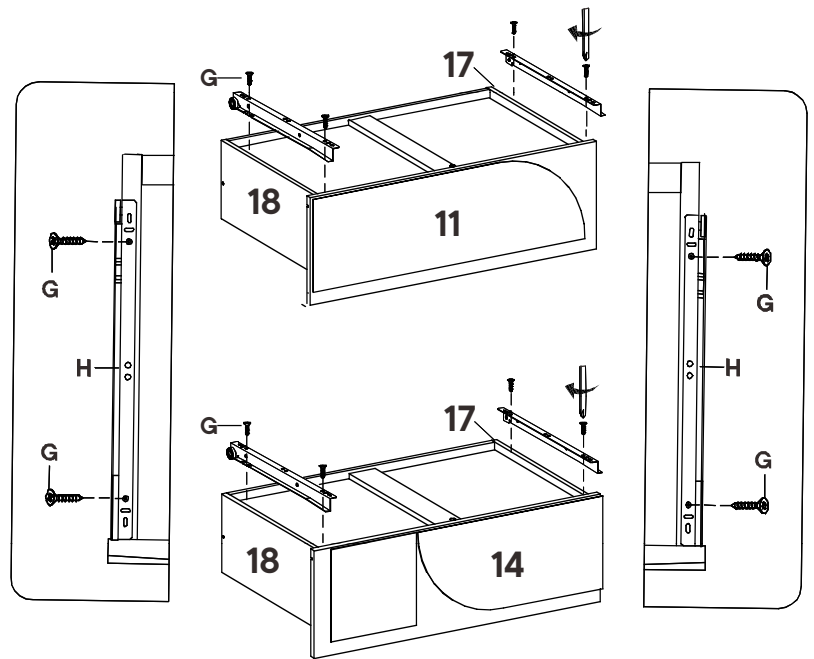
# Step 25

## HARDWARE

- G** Screw M6 x 13 mm x8
- H** Drawer Runner x2

## COMPONENTS

- 17** Left Drawer x2
- 18** Right Drawer x2



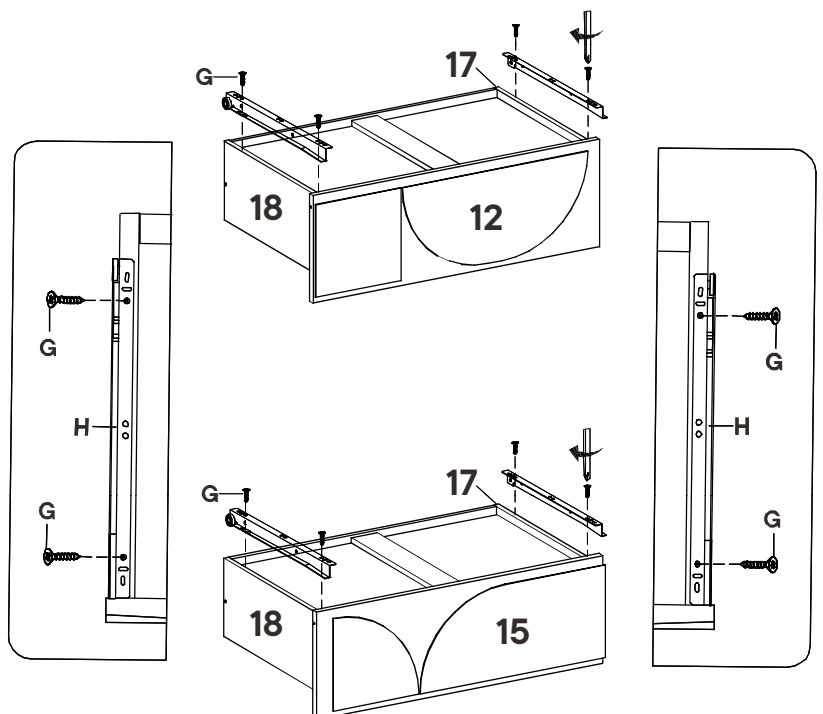
# Step 26

## HARDWARE

- G** Screw M6 x 13 mm x8
- H** Drawer Runner x2

## COMPONENTS

- 17** Left Drawer x2
- 18** Right Drawer x2



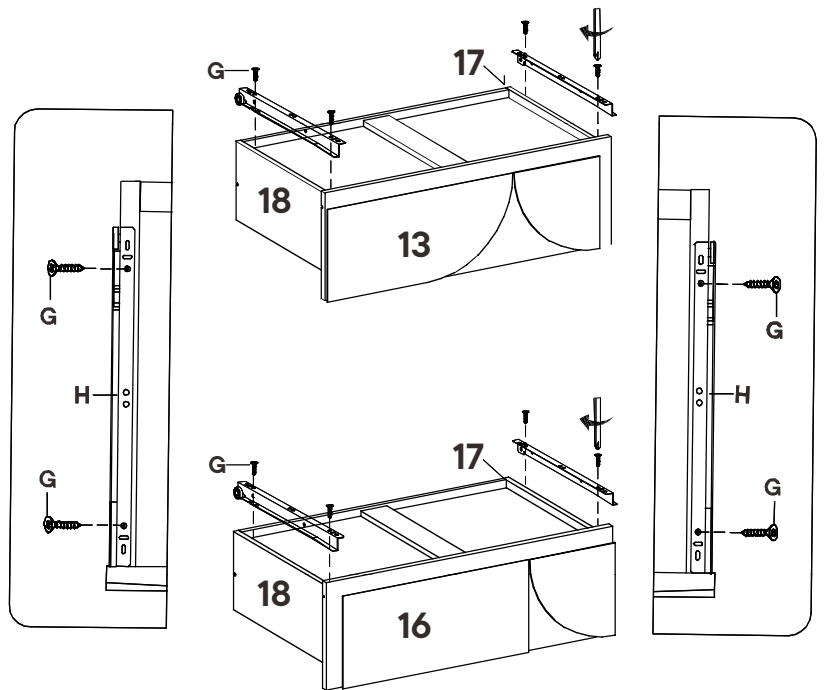
## Step 27

### HARDWARE

- G** Screw M6 x 13 mm      x8
- H** Drawer Runner      x2

### COMPONENTS

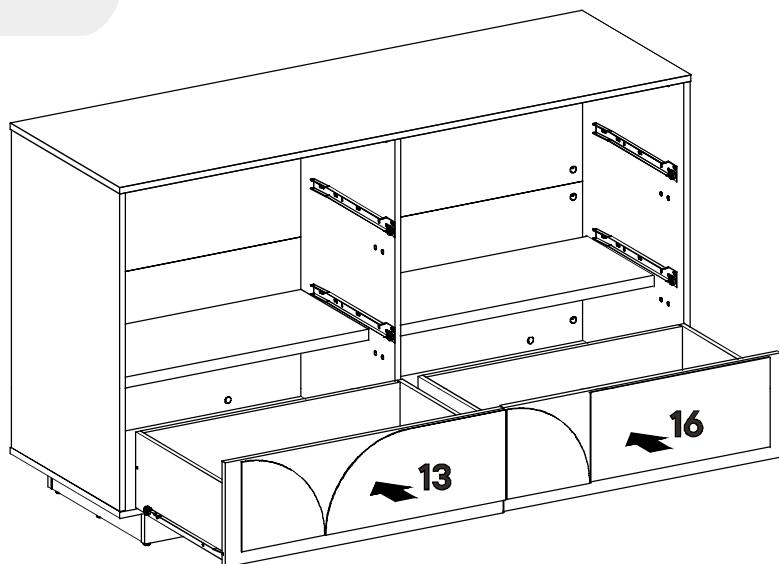
- 17** Left Drawer      x2
- 18** Right Drawer      x2



## Step 28

### COMPONENTS

- 13** Bottom Left Front Drawer      x1
- 16** Bottom Right Front Drawer      x1



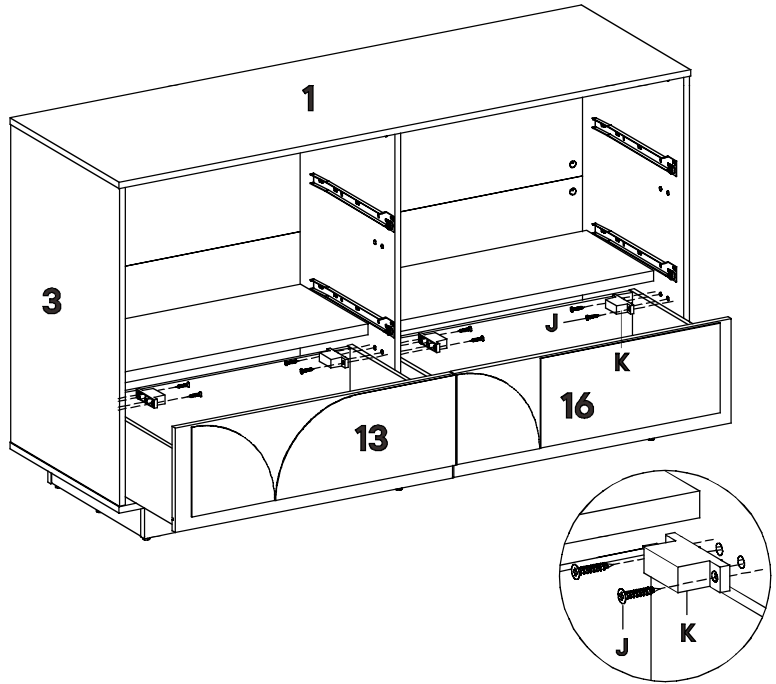
# Step 29

## HARDWARE

- J** Screw M6 x 15 mm x8
- K** Drawer Stopper x4

## COMPONENTS

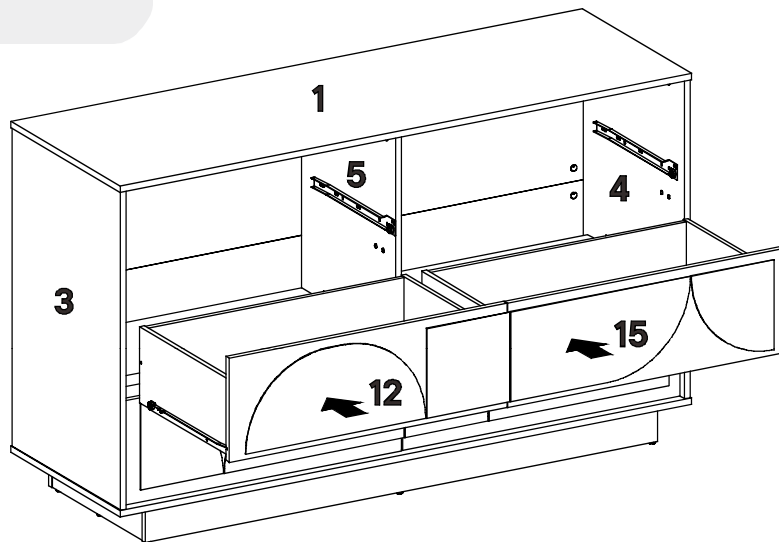
- 3** Left Board x1
- 4** Right Board x1
- 5** Divider Board x1
- 13** Bottom Left Front Drawer x1
- 16** Bottom Right Front Drawer x1



# Step 30

## COMPONENTS

- 12** Middle Left Front Drawer x1
- 15** Middle Right Front Drawer x1



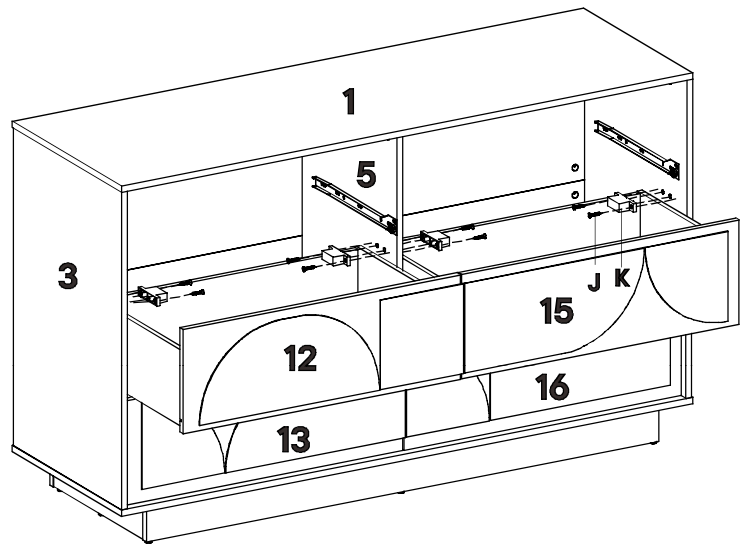
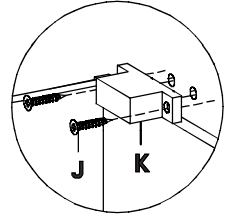
# Step 31

## HARDWARE

- J** Screw M6 x 15 mm x8
- K** Drawer Stopper x4

## COMPONENTS

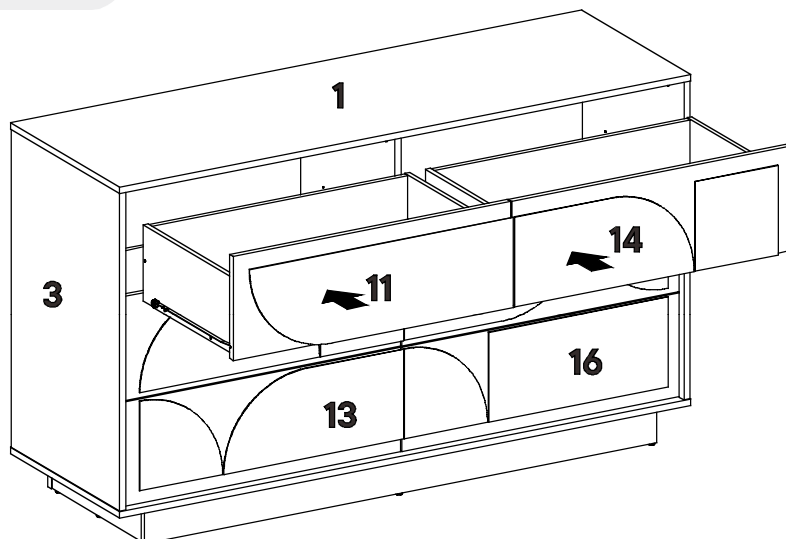
- 3** Left Board x1
- 4** Right Board x1
- 5** Divider Board x1
- 13** Middle Left Front Drawer x1
- 16** Middle Right Front Drawer x1



# Step 32

## COMPONENTS

- 12** Top Left Front Drawer x1
- 15** Top Right Front Drawer x1



# Great job!

Dresser assembly is complete.

## ♥ CARING FOR YOUR ITEM

Indoor use only.

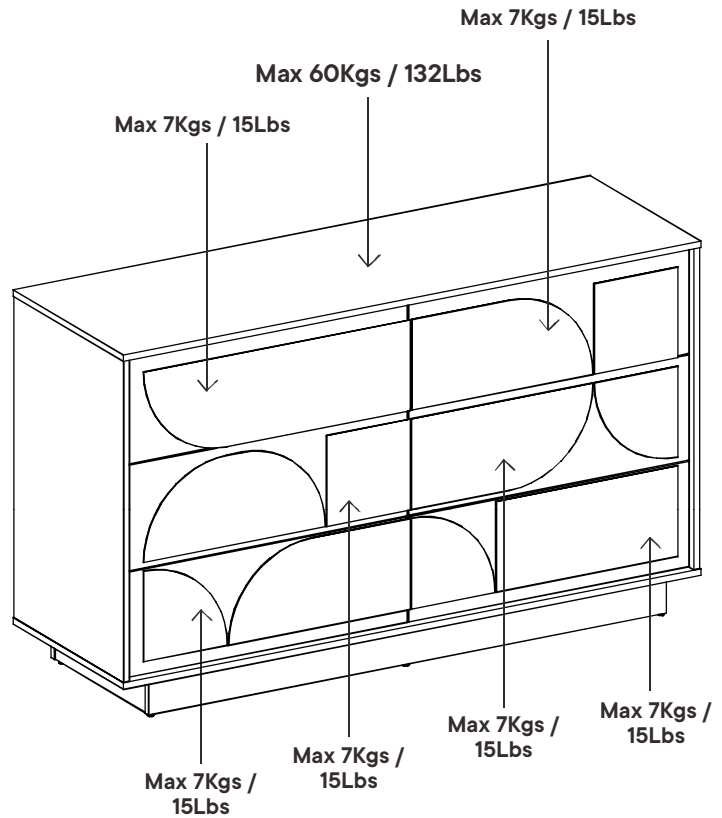
Not contract grade.

Clean using a non-abrasive cloth and a mild cleaner.

Never use harsh chemicals, as they could damage the finish or integrity of the item.

## CONNECT WITH US!

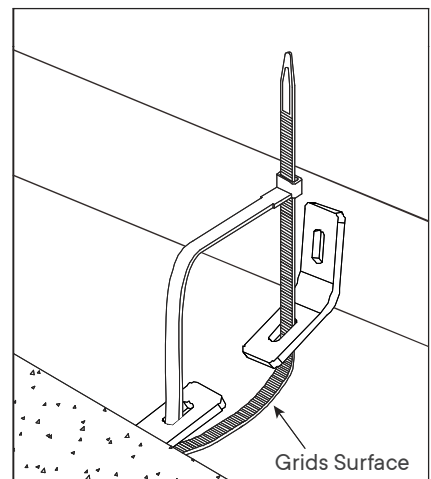
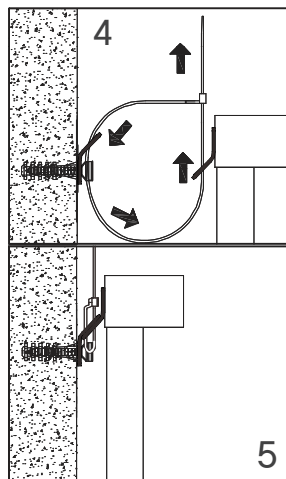
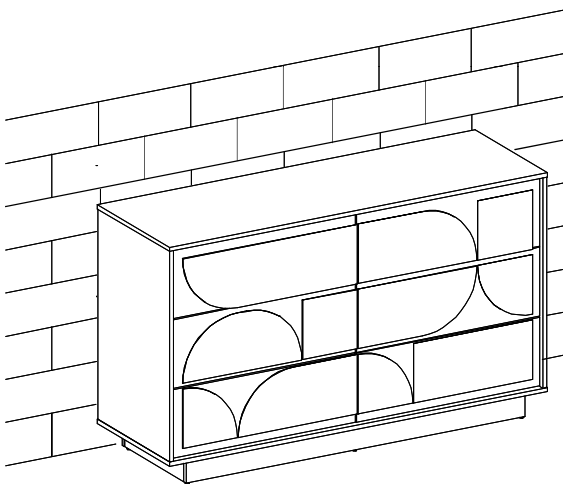
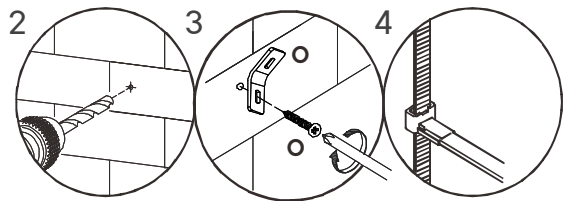
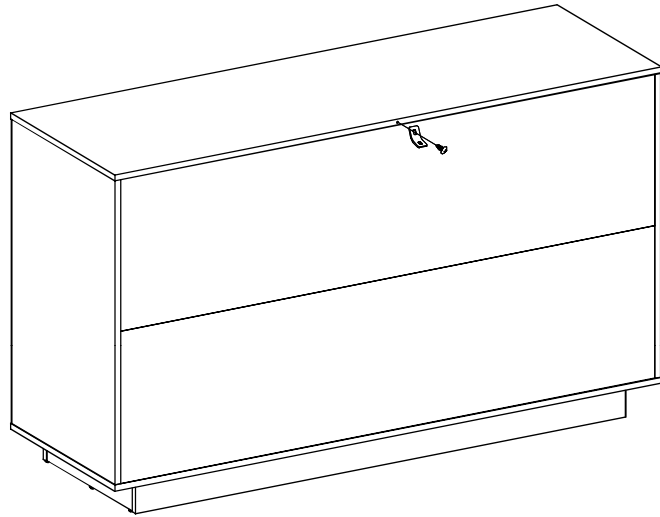
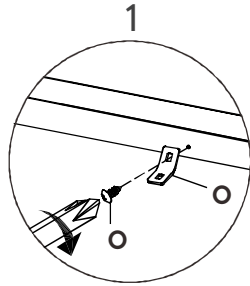
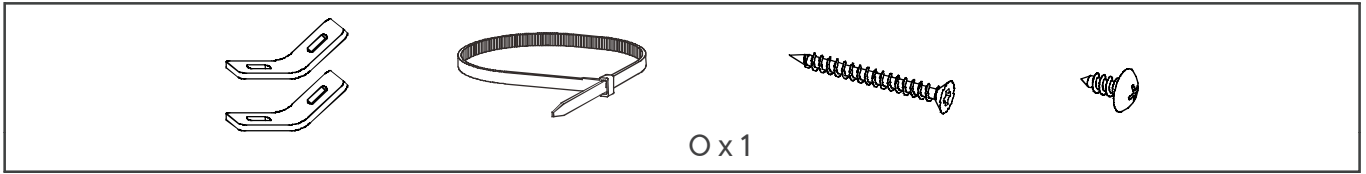
Tag us @modway\_furniture and #modway for a chance to be featured.



## TIPPING RESTRAINTS KIT INSTALLATION GUIDANCE

Different wall materials require unique wall fasteners.

Please consult your local hardware store to ensure you are using the correct hardware for you wall type.



### **Installation Instructions :**

1. Attach bracket (O) securely to the back top of the furniture using short screw (O) provided.
2. Please make a hole on the wall for attach the bracket (O) to the back of unit.
3. Attach bracket (O) on the wall using long screw (O) as shown.  
Locate the other bracket (O) on the wall. Place furniture into position so both brackets (P) as shown.
4. Lace the end of the restrains strap through the larger hole in each bracket. Ensure the restrains strap with grids surface facing the inner loops. Bring both ends together and slide the flat end through the locking end and draw it through until all slack is removed.
5. Make sure that the strap is securely laced & locked.