

RF28R7201SR

SAMSUNG

28 cu. ft. 4-Door French Door Refrigerator



Signature Features

FlexZone™ Drawer

A flexible storage drawer with four different temperature settings and an adjustable Smart Divider to stay organized.

Fingerprint Resistant

A special finish to reduce smudges and minimize cleaning.

Wi-Fi and Bixby Enabled

Use your smartphone to control the temperature and monitor your refrigerator remotely.

Available Colors

-  Fingerprint Resistant Stainless Steel (shown)
-  Fingerprint Resistant Black Stainless Steel
-  Fingerprint Resistant Tuscan Stainless Steel



French Door Design



FlexZone™ Drawer

Convenience

- FlexZone™ Drawer with 4 Temperature Settings and Smart Divider
- Adjustable Shelves for Tall Oversized Items
- Auto Pull-Out Upper Freezer Drawer
- Water Filter Indicator

Design

- Modern External Filtered Water and Ice Dispenser
- High Efficiency LED Lighting
- Accessibility (ADA Compliant)
- EZ-Open Handle™ on Freezer Door and FlexZone™ Drawer
- Tempered Glass Spill-Proof Shelves
- Gallon Door Bins
- Dispenser Light

Performance

- Twin Cooling Plus®
- Ice Max - Stores up to 10 lbs of ice
- Energy Star® Compliant
- Power Freeze and Power Cool Options
- Two Humidity-Controlled Crispers
- CoolTight Door
- Door Alarm

Rating



ENERGY STAR® rated:
755 kWh/yr

RF28R7201SR

SAMSUNG

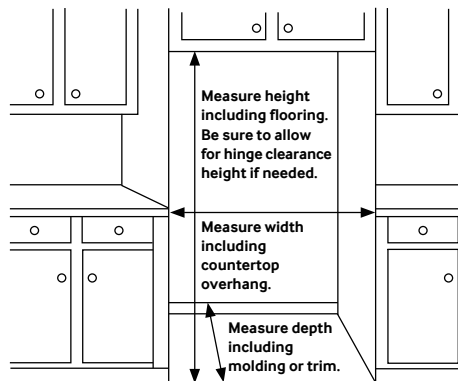
28 cu. ft. 4-Door French Door Refrigerator

Installation Specifications

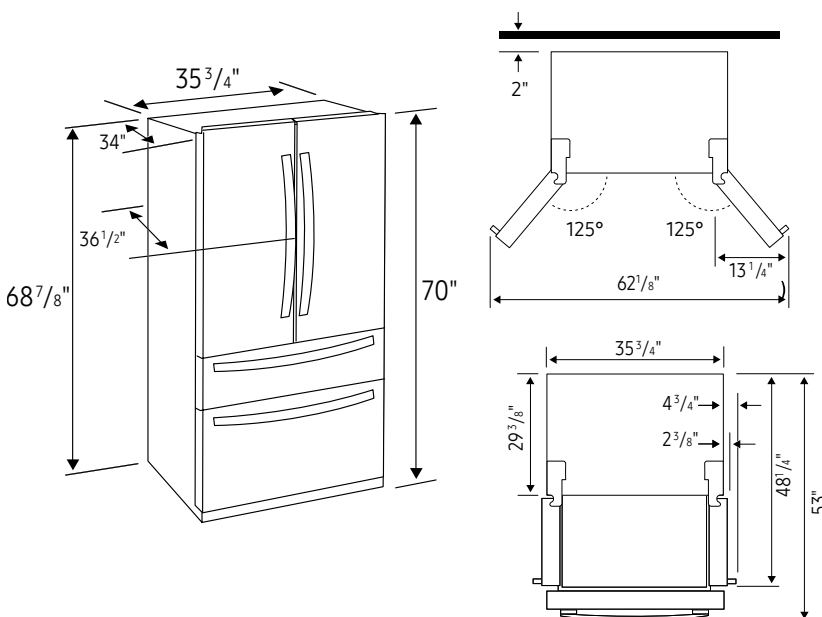
1. Measure the height, width and depth of the opening, making sure to include baseboards, molding tile, countertop overhang, etc. Check to be sure there is enough room to open the door (consider walls, islands or other obstacles when measuring).
2. Refer to illustration below to determine dimensions.
3. Allow 2.5" of clearance on hinge side of refrigerator when installing next to a wall where handle may make contact.
4. Allow 1" minimum clearance at rear for proper air circulation and water/electrical connections. Allow a 3/8" minimum clearance at sides and top for ease of installation.
5. Ensure each door and entryway in the home is wide enough for the refrigerator to be moved through easily.

For optimal usage and to be able to open refrigerator doors completely, do not install next to a wall.

Please note: The following dimension and cutout information is for planning purposes only. For complete installation details, consult manual packed with product, or download manual online at samsung.com.



Dimensions



Total Capacity: 28 cu. ft.

Refrigerator: 15.9 cu. ft.

- Modern External Filtered Water and Ice Dispenser – Crushed or Cubed Ice
- Ice Max
- 2 Humidity-Controlled Crispers
- 5 Tempered Glass Spill-Proof Shelves
- Adjustable Shelf for Tall Oversized Items
- 6 Door Bins
 - Right Door: 3 Gallon Bins
 - Left Door: 3 Regular Bins
- High Efficiency LED Lighting

FlexZone™ Drawer: 3.8 cu. ft.

- EZ-Open Handle™
- 4 Temperature Zones with Smart Divider:
 - Meat/Fish (29°F)
 - Cold Drinks (33°F)
 - Deli/Snacks (37°F)
 - Wine/Party Dishes (42°F)
- High Efficiency LED Lighting

Freezer: 8.3 cu. ft.

- EZ-Open Handle™
- 1 Drawer Divider
- High Efficiency LED Lighting

Warranty

One (1) Year Parts and Labor on Refrigerator

Five (5) Years Parts and Labor on

Sealed Refrigeration System Only*

Ten (10) Years Parts and Five (5) Years

Labor on Digital Inverter Compressor

*Compressor, evaporator, condenser, drier and connecting tubing.

Product Dimensions & Weight

Dimensions (WxHxD with hinges, handles and doors):

35 3/4" x 70" x 36 1/2"

Dimensions (WxHxD without hinges and door):

35 3/4" x 68 7/8" x 29 3/8"

Dimensions (WxHxD with hinge and door, no handle):

35 3/4" x 70" x 34"

Weight: 322 lbs.

Shipping Dimensions & Weight (WxHxD)

Dimensions: 38 1/4" x 75 3/4" x 36 1/4"

Weight: 344 lbs.

Color	Model #	UPC Code
Fingerprint Resistant Stainless Steel	RF28R7201SR	887276304922
Fingerprint Resistant Black Stainless Steel	RF28R7201SG	887276304915
Fingerprint Resistant Tuscan Stainless Steel	RF28R7201DT	887276304908