

105-XX Comfort Series Fabric Armless Swivel Task Chair

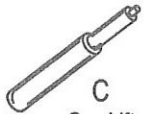
Parts Listing



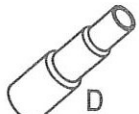
A
Casters
5 pcs.



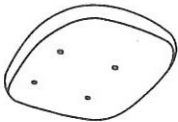
B
Base



C
Gas Lift
1 pc.



D
Telescopic
Bellows



E
Chair Seat



F
Seat Mechanism



G
8 x 15mm Washers
6 pcs.



H
M6 x 20mm Screw
4 pcs.



I
J-Bar



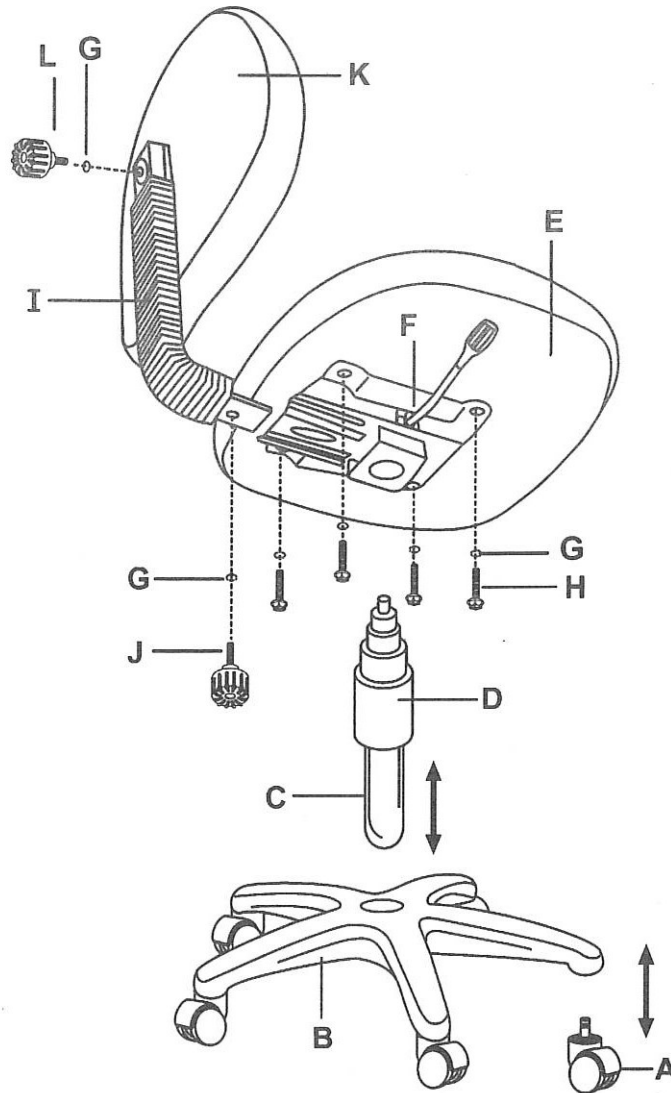
J
Back Depth
Adjustment
1 pc.
(Note longer stem)



K
Chair Back



L
Back Height
Adjustment
1 pc.



WEIGHT CAPACITY: 250 lbs.

Assembly Notes:

During assembly, hand tighten screw only when all screws are in place, you may then tighten all screws completely.

CAUTION:

1. Do not use this chair as a step ladder.
2. Check for loose screws and tighten them every 6 months.

Assembly Instructions



Tools Needed: Phillips Head Screwdriver
Please read all instructions before assembly.

Step 1: Insert Casters (A) into Base (B).



If you are assembling a model with a DK Foot Ring please proceed to subsequent pages for drafting kit assembly instructions.

Step 2: Insert Gas Lift (C) into Base (B).

Step 3: Cover Gas Lift (C) with 3 piece Telescopic Bellows (D).

Step 4: Place Chair Seat (E) on a level, non-abrasive surface and align pre-drilled holes in Seat Mechanism (F), with holes in Chair Seat.

Step 5: Place four Washers (G) onto four M6 x 20mm Screws (H) and insert through the holes in the Seat Mechanism (F), and into the Chair Seat (E). Tighten with screwdriver.



If you are assembling a model with optional Adjustable Arms please proceed to subsequent pages for armrest assembly instructions.

Step 6: Carefully place Chair Seat (E) with attached Seat Mechanism (F) onto the Gas Lift (C), aligning the hole in the Seat Mechanism with the Gas Lift. Press down on Chair Seat to secure onto Base.

Step 7: Slide J-Bar (I) (end with pre-drilled hole), under Chair Seat (E) and into the slot on Seat Mechanism (F).

Step 8: Place Washer (G) on threaded end of Back Depth Adjustment (J), and insert into slot on Seat Mechanism (F), and into pre-drilled hole in J-Bar (I), hand tighten to hold in place.

Step 9: Slide receptacle, attached to Chair Back (K) over open end of J-Bar (I).

Step 10: Place Washer (G) on threaded end of Back Height Adjustment (L), and screw into Chair Back receptacle, tighten to hold in place.

Step 11: Carefully sit on chair to make sure the Gas Lift (C) is properly inserted into the Base (B).

Step 12: Operate the Gas Lift Lever on the Seat Mechanism (F), to be sure unit is working properly.

ReGENCY | RGS
FURNITURE

Missing Parts? Assembly Questions?

Call us at 1-866-816-9822 or email help@regencyof.com for immediate assistance.

2375 Romig Road
Akron, Ohio 44320
United States

Toll Free: 1-866-816-9822
Office: 330-848-3700
Fax: 1-330-848-6260