

Built-In Refrigeration Installation Guide



Contents

- 3 Built-In Refrigeration
- 4 Opening Dimensions
- 8 Dual Installation
- 8 Electrical
- 9 Plumbing
- 9 Preparation
- 10 Anti-Tip Bracket
- 12 Placement
- 12 Water Line
- 13 Custom Panels
- 16 Alignment
- 17 Completion

Features and specifications are subject to change at any time without notice. Visit subzero.com/specs for the most up-to-date information.

Important Note

To ensure this product is installed and operated as safely and efficiently as possible, take note of the following types of highlighted information throughout this guide:

IMPORTANT NOTE highlights information that is especially important.

CAUTION indicates a situation where minor injury or product damage may occur if instructions are not followed.

WARNING states a hazard that may cause serious injury or death if precautions are not followed.

IMPORTANT NOTE: Throughout this guide, dimensions in parentheses are millimeters unless otherwise specified.

IMPORTANT NOTE: Save these instructions for the local electrical inspector.

Product Information

Important product information including the model and serial number are listed on the product rating plate. The rating plate is located at the top frame of the unit, inside the door. Refer to the illustration below.

If service is necessary, contact Sub-Zero factory certified service with the model and serial number. For the name of the nearest Sub-Zero factory certified service or for questions regarding the installation, visit the contact & support section of our website, subzero.com or call Sub-Zero customer care at 800-222-7820.



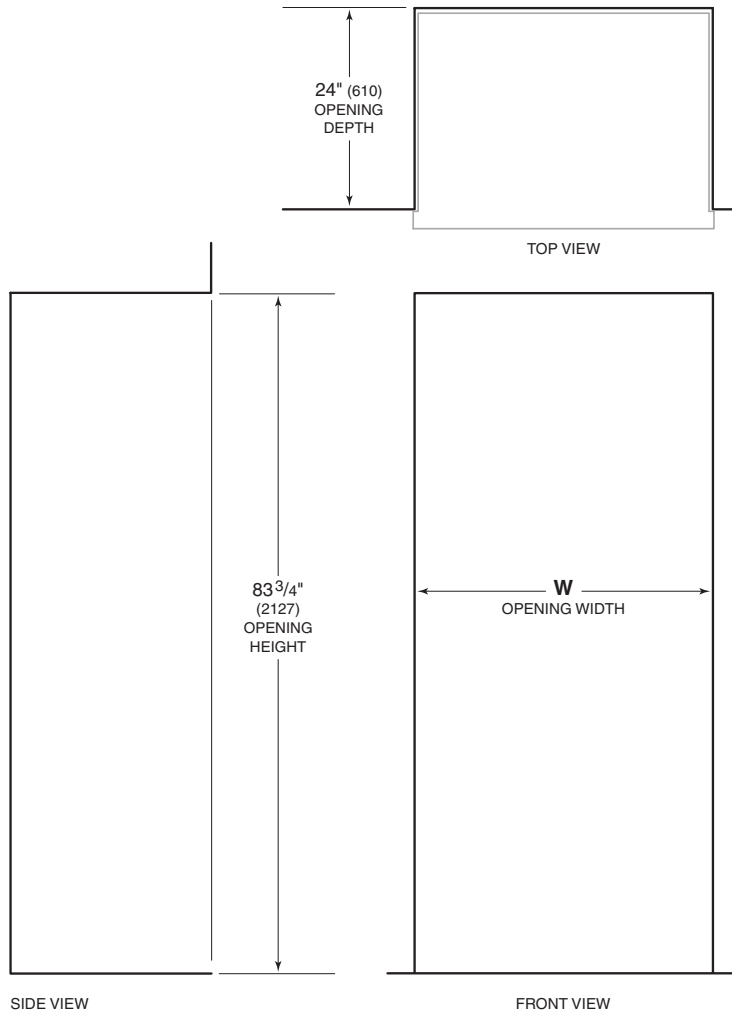
Rating plate location.

Tools and Materials

- Screwdrivers—standard and Phillips.
- Power drill.
- Drill bits (masonry bits required for concrete installation).
- Torx drives—T-10, 15 and 20.
- Standard Allen wrench set.
- Standard socket and wrench set.
- 2' and 4' levels.
- Tubing cutter.
- 3' of 1/4" OD copper, braided stainless steel or PEX tubing.
- Saddle valve.
- Material to protect home, flooring and cabinetry during installation.

Opening Dimensions

STANDARD INSTALLATION



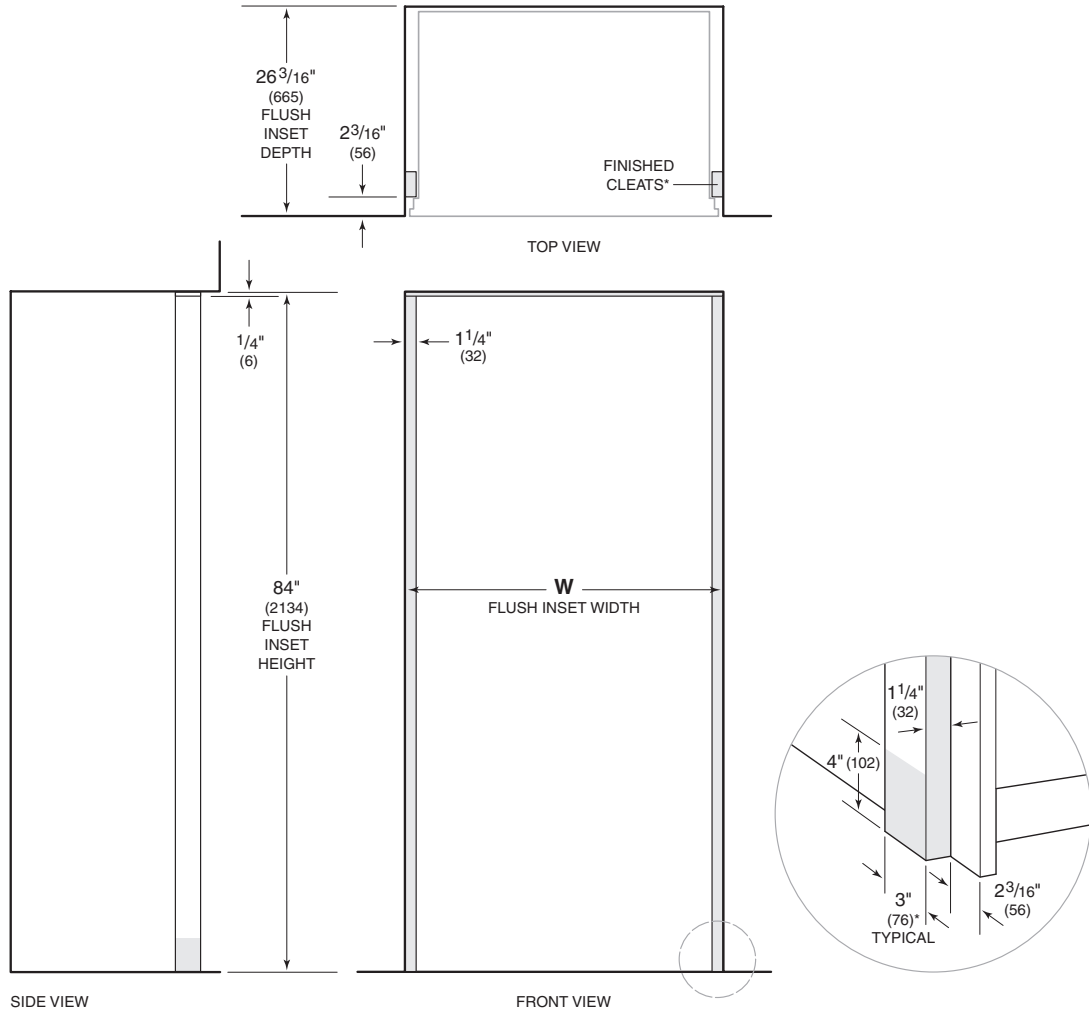
NOTE: Shaded line represents profile of unit.

OPENING WIDTH	W
BI-36R, BI-36RG, BI-36F	35 1/2" (902)
BI-30U, BI-30UG	29 1/2" (749)
BI-36U, BI-36UG, BI-36UFD	35 1/2" (902)
BI-36S	35 1/2" (902)
BI-42UFD	41 1/2" (1054)
BI-42S, BI-42SID, BI-42SD	41 1/2" (1054)
BI-48S, BI-48SID, BI-48SD	47 1/2" (1206)

If two units are installed side by side, refer to page 6.

Opening Dimensions

FLUSH INSET INSTALLATION



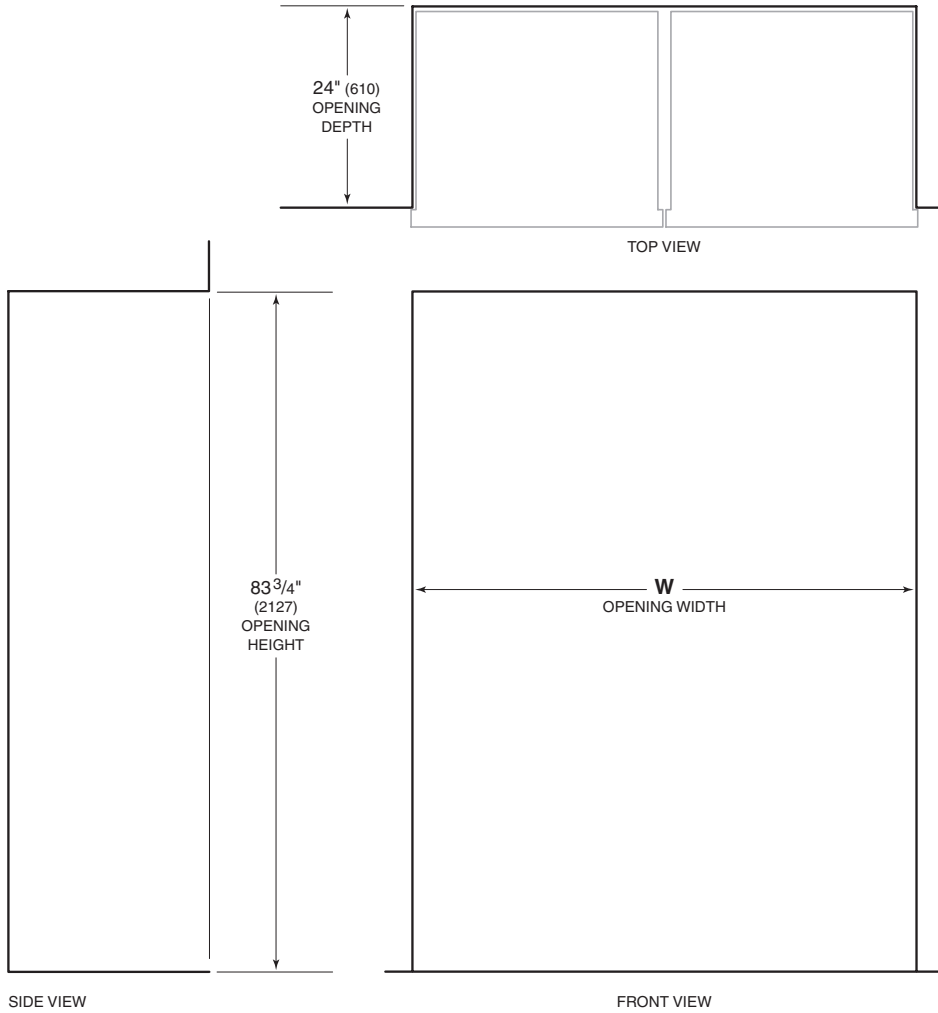
*3" (76) typical depth. Shaded areas will be visible and should be finished to match cabinetry.
 NOTE: Shaded line represents profile of unit with 3/4" (19) panel.

FLUSH INSET WIDTH	W
BI-36R, BI-36RG, BI-36F	38" (965)
BI-30U, BI-30UG	32" (813)
BI-36U, BI-36UG, BI-36UFD	38" (965)
BI-36S	38" (965)
BI-42UFD	44" (1118)
BI-42S, BI-42SID, BI-42SD	44" (1118)
BI-48S, BI-48SID, BI-48SD	50" (1270)

Dimensions assume a 3/4" (19) panel thickness. If two units are installed side by side, refer to page 7.

Opening Dimensions

DUAL STANDARD INSTALLATION



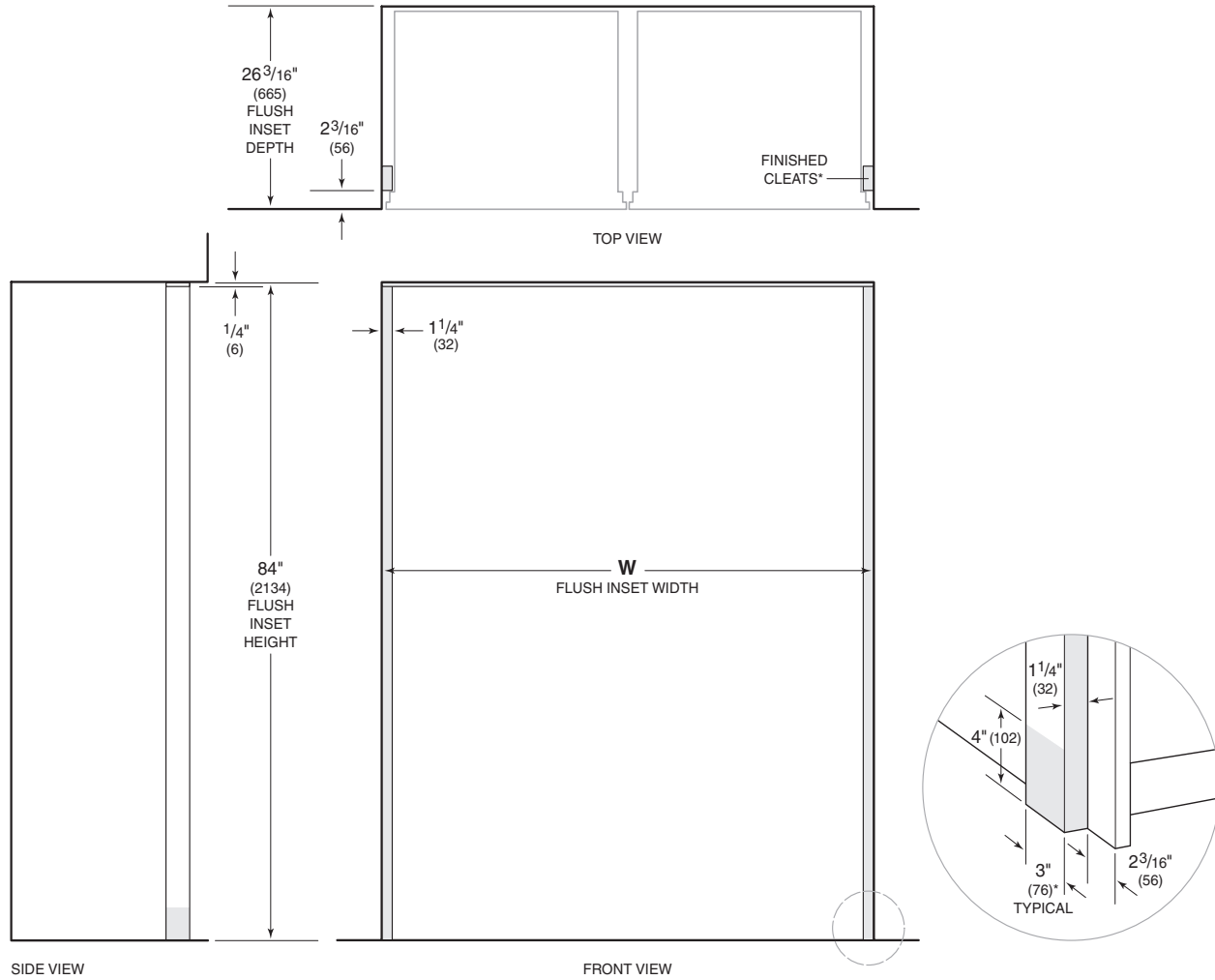
NOTE: Shaded line represents profile of unit.

DUAL OPENING WIDTH	W
Two 30" (762) Models	59 3/4" (1518)
30" (762) and 36" (914) Models	65 3/4" (1670)
Two 36" (914) Models	71 3/4" (1822)

A dual installation kit will be required for this installation.

Opening Dimensions

DUAL FLUSH INSET INSTALLATION



*3" (76) typical depth. Shaded areas will be visible and should be finished to match cabinetry.
 NOTE: Shaded line represents profile of unit with 3/4" (19) panel.

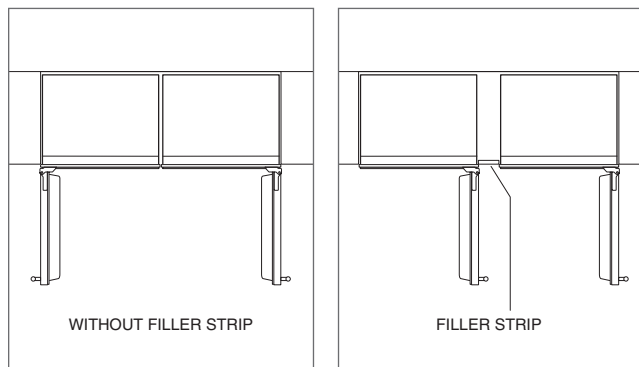
DUAL FLUSH INSET WIDTH	W
Two 30" (762) Models	62 1/4" (1581)
30" (762) and 36" (914) Models	68 1/4" (1734)
Two 36" (914) Models	74 1/4" (1886)

Dimensions assume a 3/4" (19) panel thickness. A dual installation kit will be required for this installation.

Dual Installation

If two units are installed side by side, a dual installation kit may be required. Installations without a custom filler strip require a dual installation kit. If a dual installation kit is not specified, a 2" (51) filler strip is recommended between units. Dual installations without a filler strip can only be accomplished using two units with opposite hinges. Refer to the illustrations below.

Dual installation kits are available through an authorized Sub-Zero dealer. For local dealer information, visit the find a showroom section of our website, subzero.com. For questions regarding the installation, call Sub-Zero customer care at 800-222-7820.



Opposite hinges.

Same side hinges.

Electrical

Installation must comply with all applicable electrical codes.

The electrical supply should be located within the shaded area shown in the illustration below. A separate circuit, servicing only this appliance is required. A ground fault circuit interrupter (GFCI) is not recommended and may cause interruption of operation.

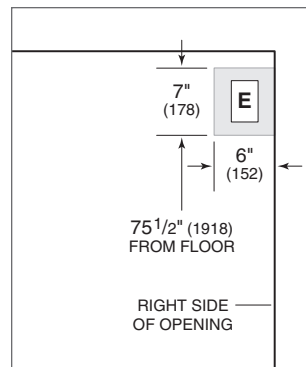
ELECTRICAL REQUIREMENTS	
Electrical Supply	115 VAC, 60 Hz
Service	15 amp
Receptacle	3-prong grounding-type

⚠ CAUTION

The outlet must be checked by a qualified electrician to be sure that it is wired with the correct polarity. Verify that the outlet is properly grounded.

⚠ WARNING

Do not use an extension cord, two-prong adapter or remove the power cord ground prong.



Electrical supply location.

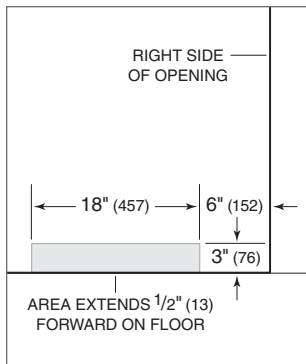
Plumbing

Installation must comply with all applicable plumbing codes.

The water supply line should be located within the shaded area shown in the illustration below. The water supply line should be connected to the house supply with an easily accessible shut-off valve. Do not use self-piercing valves. The water supply line must not interfere with installation of the anti-tip brackets.

A reverse osmosis system can be used provided there is constant water pressure of 35–120 psi (2.4–8.3 bar) supplied to the unit at all times. In this application, the water filtration system must be bypassed by removing the filter. A copper line is not recommended for this application.

PLUMBING REQUIREMENTS	
Water Supply	1/4" OD copper, braided stainless steel or PEX tubing
Pressure	35–120 psi (2.4–8.3 bar)
Excess Line for Connection	36" (914)



Water supply location.

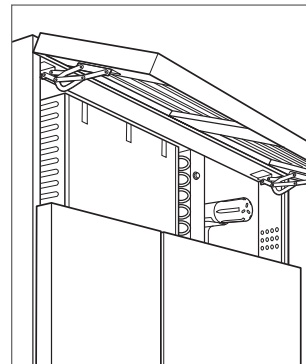
Preparation

Uncrate the unit and inspect for damage. Remove the wood base and discard shipping bolts and brackets. Remove and recycle packing materials. Do not discard the kickplate, anti-tip brackets and hardware.

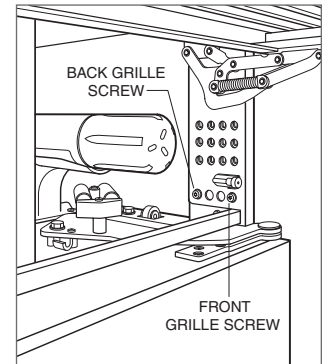
Completely retract the front leveling legs to allow the unit to be moved into position. The front and rear leveling legs can be adjusted from the front once the unit is in position.

Remove the drain pan from the base of the unit to avoid damage, and allow for proper appliance dolly placement.

The grille assembly should be removed prior to moving the unit. To remove, pull out on the bottom edge of the grille and rotate upward. Loosen the back two grille mounting screws and remove the front two grille mounting screws. Refer to the illustrations below. With the grille held firmly, pull forward to remove.



Grille removal.



Grille mounting screws.

Anti-Tip Bracket

▲ WARNING

To prevent the unit from tipping forward, the anti-tip brackets must be installed.

The two anti-tip brackets must be installed exactly 24" (610) from the front of the opening to the back of the brackets and a minimum of 4" (102) from the sides of the opening. This depth will increase to 26^{3/16}" (665) for a flush inset installation based on 3/4" (19) thick panels. Failure to properly position the anti-tip brackets will prevent proper engagement.

Use all anti-tip bracket hardware as instructed for wood or concrete floors.

IMPORTANT NOTE: For wood or concrete floor applications, if the #12 screws do not hit a wall stud or wall plate, use the #8 screws and #12 washers with the wall anchors.

IMPORTANT NOTE: In some installations the subflooring or finished floor may necessitate angling the screws used to fasten the anti-tip brackets to the back wall.

ANTI-TIP HARDWARE

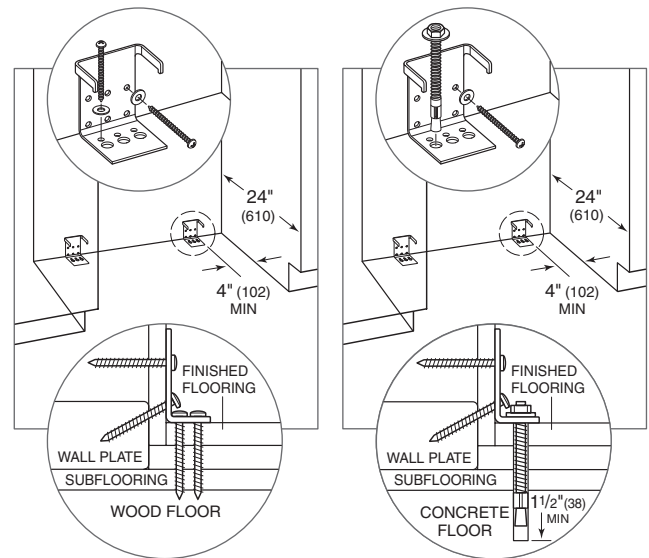
2	Anti-tip brackets
12	#12 x 2 1/2" pan head screws
4	3/8"-16 x 3 3/4" wedge anchors
12	#12 flat washers
4	#8-18 x 1 1/4" truss head screws
4	Nylon Zip-it® wall anchors

WOOD FLOOR APPLICATION

After properly locating the anti-tip brackets in the opening, drill pilot holes 3/16" (5) diameter maximum in the wall studs or wall plate. Use the #12 screws and washers to secure the brackets. Verify the screws penetrate through the flooring material and into wall studs or wall plate a minimum of 3/4" (19). Refer to the illustration below.

CONCRETE FLOOR APPLICATION

After properly locating the anti-tip brackets in the opening, drill pilot holes 3/16" (5) diameter maximum in the wall studs or wall plate. Drill 3/8" (10) diameter holes into the concrete a minimum of 1 1/2" (38) deep. Use the #12 screws and washers to secure the brackets to the wall, and use the 3/8" wedge anchors to secure the brackets to the floor. Verify the screws penetrate wall studs or wall plate a minimum of 3/4" (19). Refer to the illustration below.



Wood floor.

Concrete floor.

Anti-Tip Bracket

CONCRETE WEDGE ANCHOR INSTALLATION:

- 1 Drill a $\frac{3}{8}$ " (10) diameter hole any depth exceeding the minimum embedment. Clean the hole or drill additional depth to accommodate drill fines.
- 2 Assemble the washer and nut flush with the end of anchor to protect threads. Drive the anchor through the material to be fastened until the washer is flush with the surface material.
- 3 Expand the anchor by tightening the nut 3–5 turns past hand-tight position or to 25 foot-pounds of torque.

▲ WARNING

Verify there are no electrical wires or plumbing in the area which the screws could penetrate.

▲ CAUTION

Always wear safety glasses and use other necessary protective devices or apparel when installing or working with anchors.

Anchors are not recommended for use in lightweight masonry material such as block or brick, or for use in new concrete which has not had sufficient time to cure. The use of core drills is not recommended to drill holes for the anchors.

Placement

▲ CAUTION

Before moving the unit into position, secure door(s) closed and protect any finished flooring.

Use an appliance dolly to move the unit near the opening.

If the unit has been on its back or side, it must stand upright for a minimum of 24 hours before connecting power.

Plug the power cord into the grounded outlet and roll the unit into position. Verify the anti-tip brackets are properly engaged.

IMPORTANT NOTE: If used, side panels will need to be installed before the unit is placed in its final position. Refer to page 15.

Water Line

Approximately 3' (.9 m) of 1/4" plastic tubing is connected to the unit with a preassembled 1/4" compression connection under the unit. The water line fitting connection kit, provided with the unit, contains a 1/4" compression union fitting for connection to the household water line.

Purge the water line prior to final connection to the unit. This will remove any debris that may be present in the tubing from installing the new water line.

Place the sleeve and nut on the water line and fasten to the connection at the end of the tubing. Do not over tighten. Check all water line fittings for leaks. Verify the drain pan can be installed and removed without water line interference.

IMPORTANT NOTE: If a reverse osmosis system used, it is recommended that the water filtration system be bypassed by removing the filter.

IMPORTANT NOTE: Water lines can not be exposed to freezing temperatures.

Custom Panels

For overlay and flush inset applications, custom door and grille panels must be installed. Panel size is critical for a proper fit. To verify panel requirements and dimensions, refer to the Sub-Zero design guide at subzero.com/specs.

IMPORTANT NOTE: Flush inset applications require a minimum 1/2" (13) reveal on all sides.

Finish all sides of custom panels. They may be visible when the door is open or through the window of glass door models.

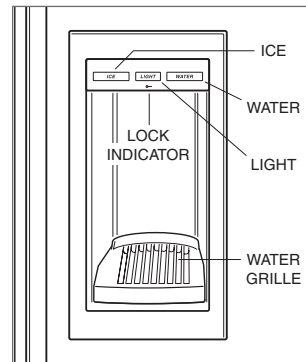
EXTERNAL DISPENSER

For external dispenser models, the dispenser glasswell will need to be removed before custom panels can be installed.

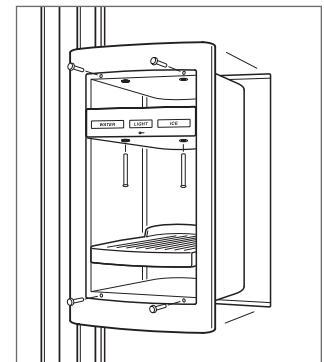
IMPORTANT NOTE: The total panel thickness (including backer and spacer, if used) in the glasswell area can range from 1/4" (6) to a maximum 1 1/8" (29). If the panel is thicker, the area must be routed to 1 1/8" (29) maximum thickness.

To remove the glasswell, lift the water grille up and out. Remove the control panel by removing the center plastic mandrel supports. Tilt the control panel out and disconnect the wire harness (blue side up) from the back side. Remove the bezel by removing the four screws. Refer to the illustrations below.

Once custom panels have been installed, reverse the procedure to reinstall the glasswell.



Dispenser glasswell.



Glasswell removal.

Custom Panels

DOOR PANELS

To install custom door panels, remove the handle side trim molding. Insert a screwdriver tip into the top corner slot on the handle side and pop out the trim. For the drawer, insert a screwdriver tip into the slot on either side of the trim running along the top of the drawer and pop out the trim. Remove the screws and frame. Refer to the illustrations below.

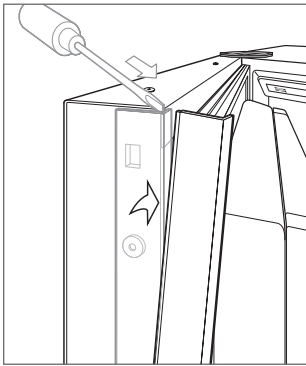
The door has a 1/4" (6) frame for the custom panel to slide into. If the panel is thicker than a 1/4" (6), rout an edge around the panel or mount the panel on a sheet of 1/4" (6) thick material, then insert into the frame.

A .10" (3) space is required between the backer panel and the custom panel to allow the panel to slide into the door frame. Refer to the illustrations below for critical dimensions.

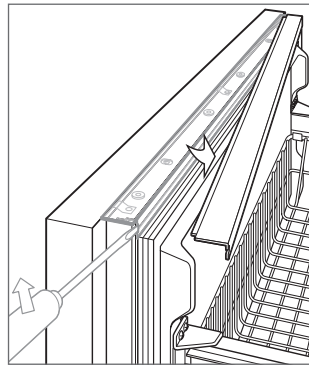
Install handle hardware before inserting the panel. Large D-style handles are recommended rather than knobs. Screw heads must be countersunk into the panel.

Slide the panel into the frame.

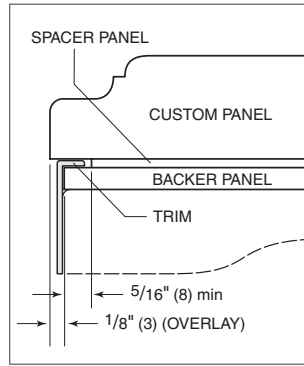
To reinstall the door trim molding, insert the top of the trim into grooves at the top of the door and work downward, snapping the trim into clips on the door frame. For the drawer, start at one end and move towards the opposite end, snapping the trim into the clips.



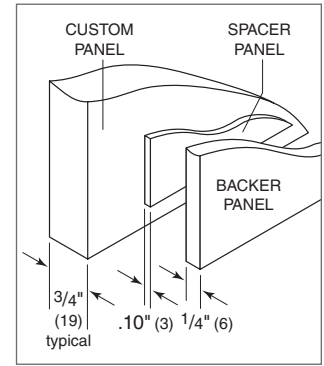
Door side trim.



Drawer top trim.



Panel assembly cross section (overlay).



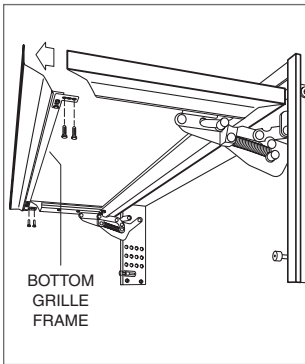
Panel assembly rear view.

Custom Panels

GRILLE PANEL

Remove the bottom grille frame by extracting the lower two corner screws from each side of the grille assembly. Refer to the illustration below.

With the bottom section removed, slide the custom grille panel into the frame. If the panel is thinner than 1/4" (6), a filler material will need to be installed to achieve a proper fit. Once the panel is installed, reattach the bottom grille frame by sliding the corner brackets back into position, then reinstall the four corner screws.



Grille frame assembly.

SIDE PANEL

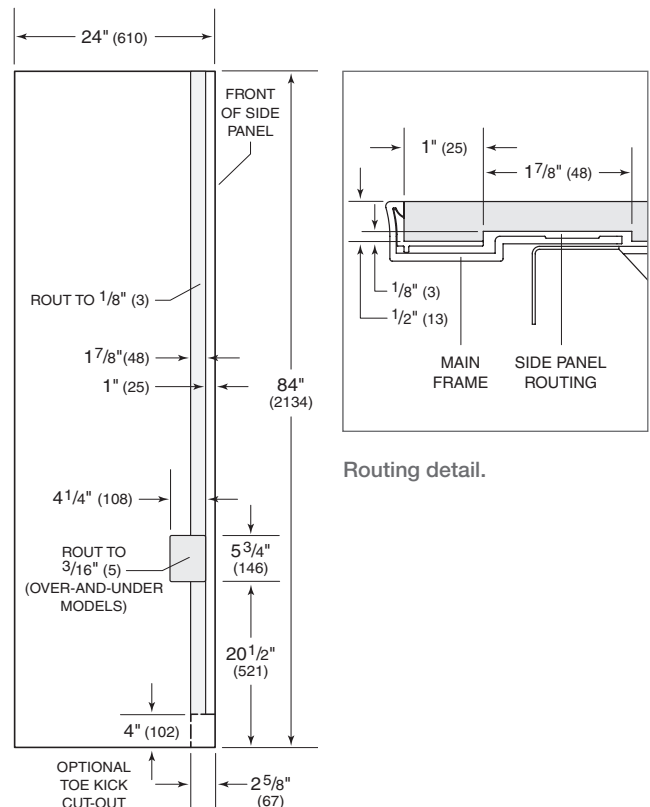
When installing a custom side panel, an accessory kit is required and is available through an authorized Sub-Zero dealer. For local dealer information, visit the find a showroom section of our website, subzero.com. Stainless steel and white enamel side panels are also available from an authorized Sub-Zero dealer.

IMPORTANT NOTE: The use of side panels may change the width of the opening.

A custom side panel must be a minimum of 24" (610) deep and 1/2" (13) thick. Routing will be necessary for the side panel to fit flush against the side of the unit. Refer to the illustrations below.

IMPORTANT NOTE: The height of the side panel will vary with the height of the grille. Verify the finished height before modifying panels.

IMPORTANT NOTE: For over-and-under and French door models, additional routing will be necessary to accommodate the lower hinge plate of the refrigerator.



Side panel dimensions.

Alignment

LEVELING

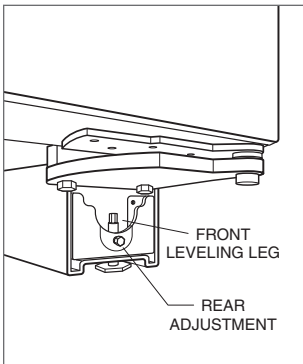
Once the unit is in position, turn the front leveling legs clockwise to adjust the height. The rear height adjustment can be made from the front of the roller base. Using a $\frac{3}{8}$ " socket, turn the $\frac{3}{8}$ " hex bolt clockwise to raise the unit or counterclockwise to lower. Use the lowest torque setting when using a power drill. Do not turn the rear leveling legs by hand. Refer to the illustration below.

When the unit is properly leveled, door and drawer adjustments are less likely to be necessary.

IMPORTANT NOTE: Level the unit to the floor, not surrounding cabinetry. This could affect the operation of the unit, such as door closing.

⚠ WARNING

To reduce the possibility of the unit tipping forward, the front leveling legs must be in contact with the floor.



Rear roller base adjustment.

DOOR ADJUSTMENT

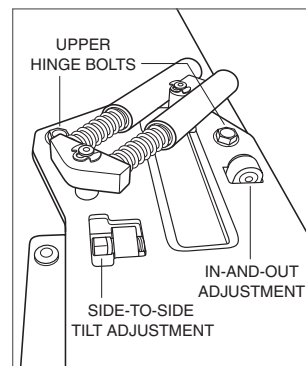
The doors of side-by-side and over-and-under models can be adjusted in and out, and side to side tilt. The doors of side-by-side models can also be adjusted up and down.

To make adjustments, slightly loosening the two upper hinge bolts on the upper hinge plate using a $\frac{1}{2}$ " wrench. Refer to the illustration below.

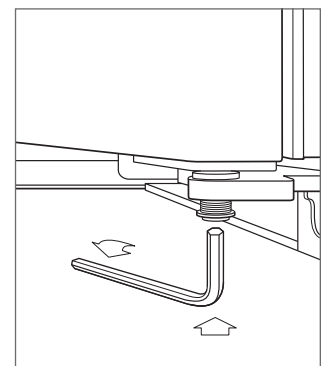
In-and-out adjustment | For a left-hinge door, using a $\frac{5}{32}$ " allen wrench, turn the adjustment bolt clockwise to bring the handle side of the door inward, and counterclockwise to move the handle side outward. Reverse directions for a right-hinge door.

Side-to-side tilt adjustment | For a left-hinge door, using a $\frac{3}{8}$ " wrench, turn the adjustment bolt clockwise to raise the handle side of the door, and counterclockwise to lower the handle side. Reverse directions for a right-hinge door.

Up-and-down adjustment | For a left-hinge door, using a $\frac{1}{4}$ " allen wrench, turn the adjustment bolt clockwise to raise the door and counterclockwise to lower. Refer to the illustration below. Reverse directions for a right-hinge door.



Door adjustment bolts.

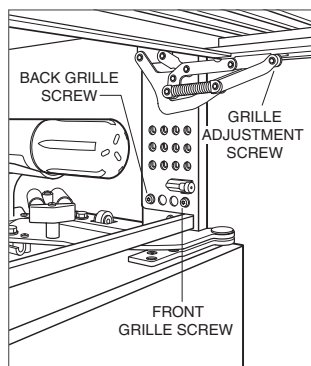


Up-and-down door adjustment.

Completion

GRILLE INSTALLATION

Install the grille assembly and check for proper fit. The grille is designed to rest on the upper door hinge(s) to minimize the reveal between the top of the door and bottom of the grille. To eliminate interference, the grille height can be adjusted. Loosen the four grille adjustment screws (two on each side) and adjust the grille height as needed. Refer to the illustration below.



Grille height adjustment.

ANCHORING

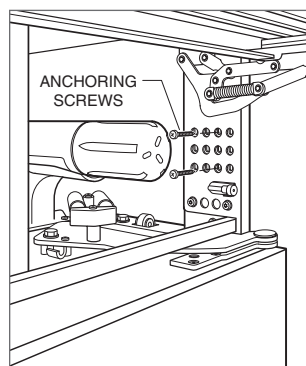
After the unit has been leveled and door adjustment completed, anchor the unit to the opening to ensure a proper fit and secure installation.

To anchor the top of the unit, open the grille and install the screws provided, through the grille frame into cabinetry. There are several hole locations. Refer to the illustration below. Check for proper door clearance by opening the door.

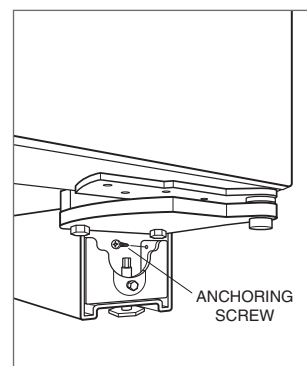
To anchor the bottom of the unit, drive a screw through the side hole inside each roller base assembly. The screw will need to go in at an angle to attach properly. Refer to the illustration below. Additional material may be needed behind the cleat to ensure sufficient anchoring.

⚠ CAUTION

If the screws provided are not suitable for the installation, use adequate screws.



Top anchoring.



Bottom anchoring.

Completion

Reinstall the drain pan and verify it is in the proper position.

Install the kickplate using screws to attach it to brackets on the inside of each roller base. Refer to the illustration below. The kickplate must be removable for service. The floor cannot interfere with removal. Refer to the label mounted on the kickplate support for height clearance.

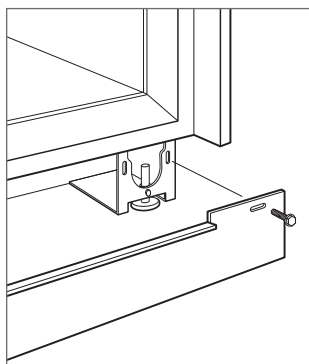
Turn power on by touching POWER on the control panel.

Install the light diffuser by aligning the slots of the light diffuser onto the bracket pegs and pulling forward so the tabs on the slots engage the bracket pegs. Refer to the illustration below.

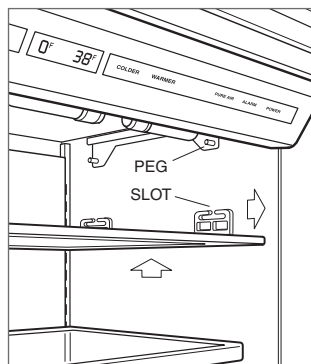
WATER FILTER BYPASS

If the water filtration system will not be utilized, it can be placed in water filter bypass mode by removing the water filter. Refer to the illustration below. Follow these steps to remove the water filter:

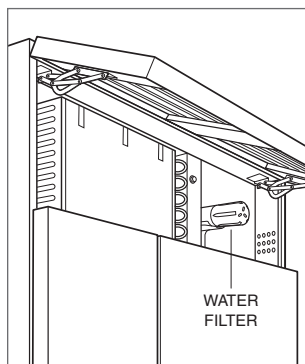
- 1 Pull out on the bottom edge of the grille assembly and tilt the grille frame upward.
- 2 To remove the cartridge, rotate the cartridge counter-clockwise one-quarter turn and pull out. Refer to the illustration below.



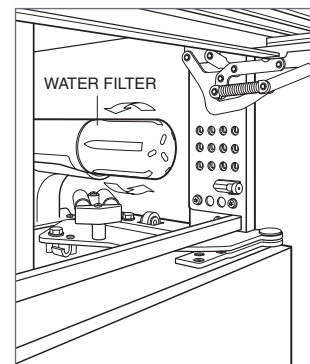
Kickplate installation.



Light diffuser installation.



Location of water filter.



Water filter removal.

Completion

90° DOOR STOP

The doors of all models open to 110°. A 90° door stop is provided with the unit (located behind the grille). Additional 90° door stop kits are available through an authorized Sub-Zero dealer.

WARNING

Follow all city and state laws when storing, recycling or discarding unused refrigerators and freezers.

Contenido

- 3 Unidad de refrigeración integrada
- 4 Dimensiones de abertura
- 8 Instalación doble
- 8 Instalación eléctrica
- 9 Plomería
- 9 Preparación
- 10 Soporte antivuelco
- 12 Colocación
- 12 Línea de agua
- 13 Paneles personalizados
- 16 Alineación
- 17 Finalización

Aviso importante

Para garantizar que este producto sea instalado y operado de la forma más segura y eficiente posible, tome nota de los siguientes tipos de información resaltada en esta guía:

AVISO IMPORTANTE resalta la información que es especialmente importante.

PRECAUCIÓN indica una situación en la que se pueden sufrir heridas leves o provocar daños al producto si no se siguen las instrucciones.

ADVERTENCIA indica peligro de que se produzcan heridas graves o incluso la muerte si no se siguen las precauciones.

AVISO IMPORTANTE: En toda esta guía, las dimensiones entre paréntesis son milímetros, a menos que se especifique lo contrario.

Información del producto

La información importante del producto, incluido el modelo y número de serie de la unidad se encuentran en la placa de datos del producto. La placa de datos se encuentra en el marco superior de la unidad, en el interior de la puerta. Consulte la siguiente ilustración.

Si necesita servicio, póngase en contacto con el centro de servicio autorizado de Sub-Zero y tenga a la mano el modelo y número de serie de la unidad. Para obtener los datos del centro de servicio autorizado de Sub-Zero más cercano o si tiene preguntas acerca de la instalación, visite la sección de contacto y soporte técnico en nuestra página de Internet, subzero.com o llame a la línea de atención al cliente de Sub-Zero al 800-222-7820.



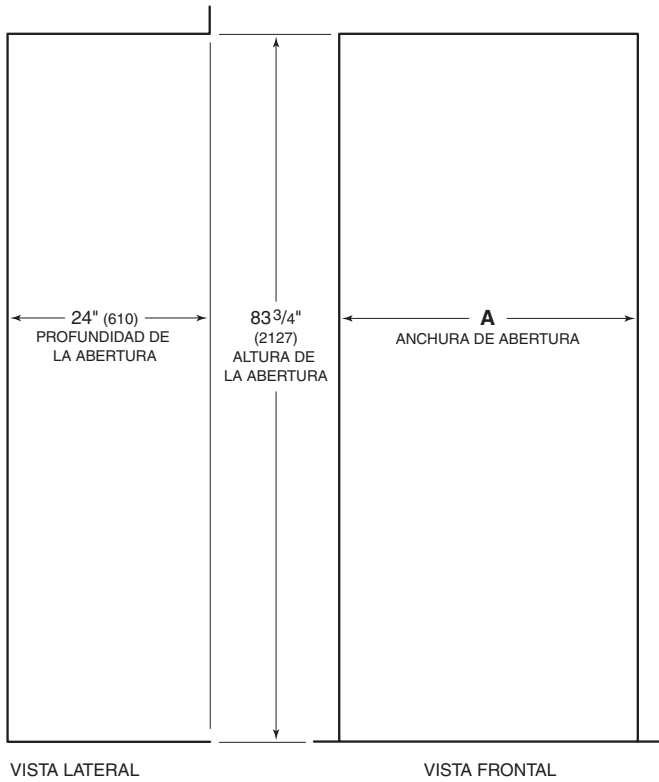
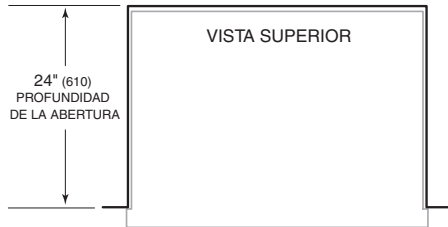
Ubicación de la placa de datos.

Herramientas y materiales

- Destornilladores (estándar y Phillips).
- Taladro eléctrico.
- Brocas (se requieren brocas de mampostería para instalación en concreto).
- Destornilladores Torx - T-10, 15 y 20.
- Juego de llaves Allen estándar.
- Juego de llaves estándar y de vaso.
- Niveles 2' y 4'.
- Cortador de tubos.
- 3' de tubería de cobre, trenzada de acero inoxidable o PEX de 1/4" de diámetro exterior.
- Válvula de asiento.
- Material para proteger la casa, el piso y los gabinetes durante la instalación.

Dimensiones de abertura

INSTALACIÓN ESTÁNDAR

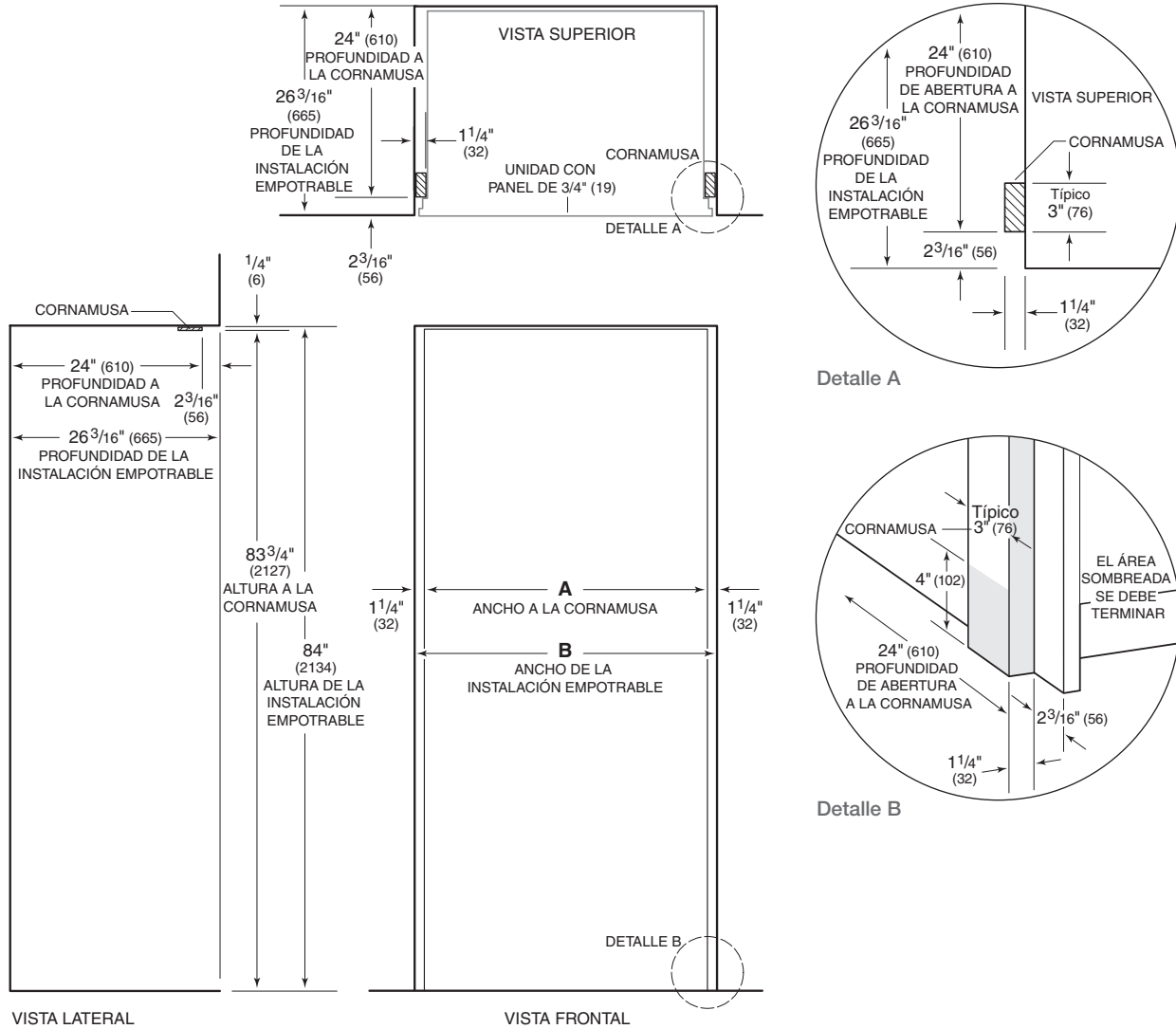


ANCHURA DE ABERTURA	A
BI-36R, BI-36RG, BI-36F	35 1/2" (902)
BI-30U, BI-30UG	29 1/2" (746)
BI-36U, BI-36UG, BI-36UFD	35 1/2" (902)
BI-36S	35 1/2" (902)
BI-42UFD	41 1/2" (1054)
BI-42S, BI-42SID, BI-42SD	41 1/2" (1054)
BI-48S, BI-48SID, BI-48SD	47 1/2" (1206)

Si instala dos unidades lado a lado, consulte la página 6.

Dimensiones de abertura

INSTALACIÓN EMPOTRABLE

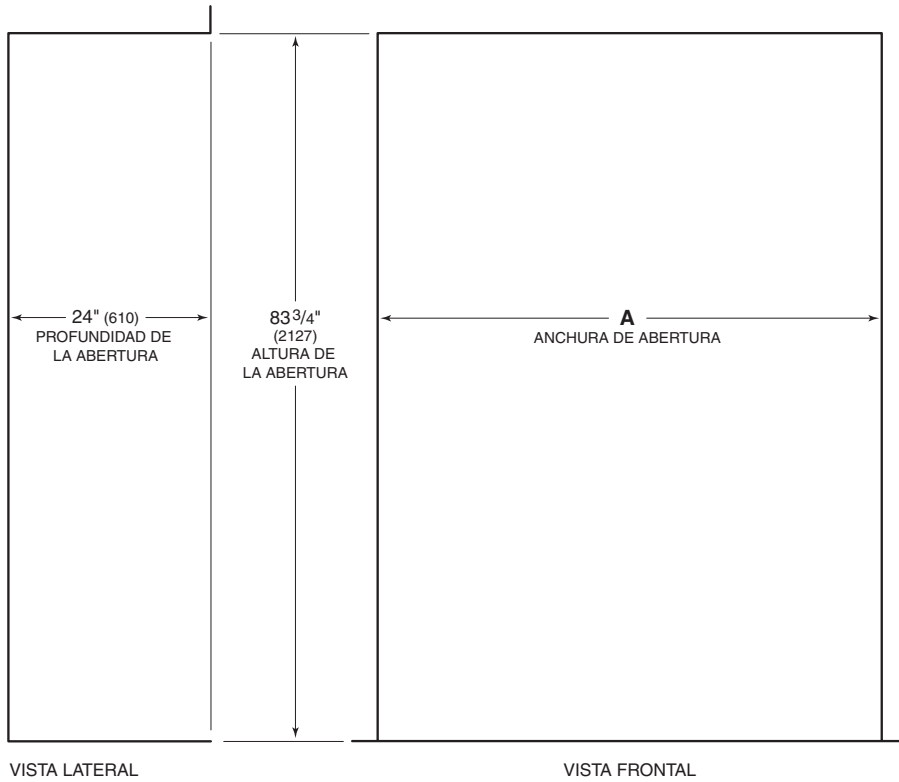
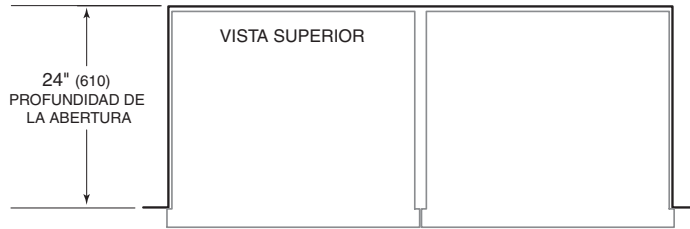


ANCHURA DE ABERTURA	A	B
BI-36R, BI-36RG, BI-36F	35 ¹ / ₂ " (902)	38" (965)
BI-30U, BI-30UG	29 ¹ / ₂ " (746)	32" (813)
BI-36U, BI-36UG, BI-36UFD	35 ¹ / ₂ " (902)	38" (965)
BI-36S	35 ¹ / ₂ " (902)	38" (965)
BI-42UFD	41 ¹ / ₂ " (1054)	44" (1118)
BI-42S, BI-42SID, BI-42SD	41 ¹ / ₂ " (1054)	44" (1118)
BI-48S, BI-48SID, BI-48SD	47 ¹ / ₂ " (1206)	50" (1270)

Las dimensiones toman en consideración un panel de 3/4" (19) de grosor. Si instala dos unidades lado a lado, consulte la página 7.

Dimensiones de abertura

INSTALACIÓN ESTÁNDAR DOBLE

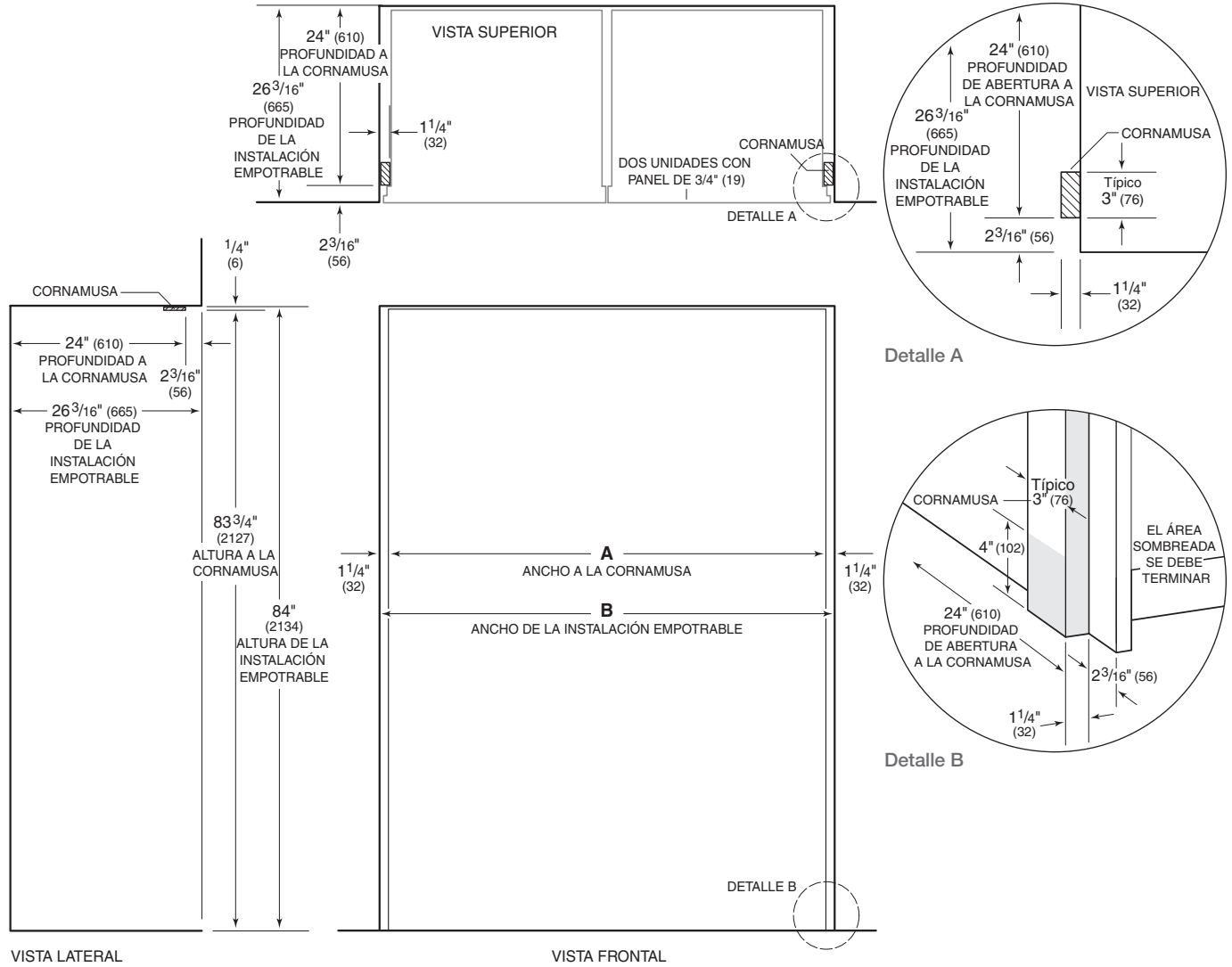


ANCHURA DE ABERTURA	A
Dos modelos de 30" (762)	59 3/4" (1518)
Modelos de 30" (762) y 36" (914)	65 3/4" (1670)
Dos modelos de 36" (914)	71 3/4" (1822)

Para esta instalación se requiere un kit de instalación doble.

Dimensiones de abertura

INSTALACIÓN DE DOS UNIDADES EMPOTRABLE



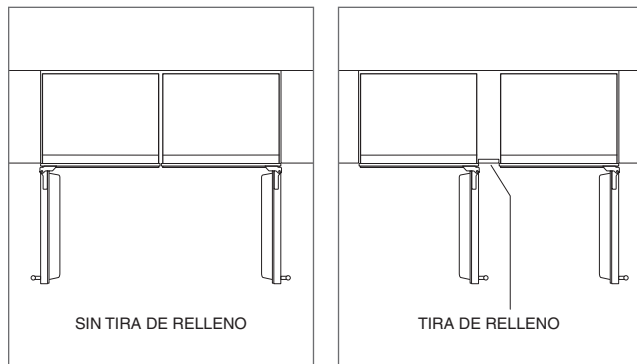
ANCHURA DE ABERTURA	A	B
Dos modelos de 30" (762)	59 ³ / ₄ " (1518)	62 ¹ / ₄ " (1581)
Modelos de 30" (762) y 36" (914)	65 ³ / ₄ " (1670)	68 ¹ / ₄ " (1734)
Dos modelos de 36" (914)	71 ³ / ₄ " (1822)	74 ¹ / ₄ " (1886)

Las dimensiones toman en consideración un panel de 3/4" (19) de grosor. Para esta instalación se requiere un kit de instalación doble.

Instalación doble

Si se instalan dos unidades lado a lado, puede ser necesario un kit de instalación doble. Las instalaciones sin una tira de relleno personalizada requieren un kit de instalación doble. Si el uso de un kit de instalación doble no está especificado, se recomienda utilizar una tira de relleno de 2" (51) entre las unidades. Las instalaciones dobles sin una tira de relleno sólo se pueden realizar cuando se utilizan dos unidades con bisagras opuestas. Consulte las siguientes ilustraciones.

Los kits de instalación doble están disponibles a través de un distribuidor autorizado de Sub-Zero. Para obtener más información acerca de los distribuidores locales, visite la sección para encontrar una sala de exhibición de nuestro sitio web, subzero.com. Si tiene preguntas con respecto a la instalación, llame a la línea de atención al cliente de Sub-Zero al 800-222-7820.



Bisagras opuestas.

Bisagras en el mismo lado.

Instalación eléctrica

La instalación debe cumplir con todos los códigos eléctricos aplicables.

El suministro eléctrico debe colocarse dentro del área sombreada que se muestra en la siguiente ilustración. Es necesario un circuito independiente, que dé servicio únicamente a este aparato. No es recomendable utilizar un circuito de fallos de conexión a tierra (GFCI, por sus siglas en inglés) ya que puede interrumpir el funcionamiento de la unidad.

REQUISITOS ELÉCTRICOS

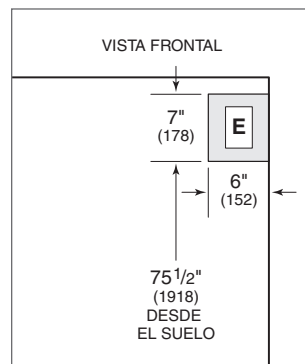
Suministro eléctrico	115 V CA, 60 Hz
Interruptor de circuito	15 amperes
Receptáculo	Conexión a tierra de 3 clavijas

⚠ PRECAUCIÓN

Un electricista calificado debe revisar el tomacorriente para asegurarse de que la conexión se haya realizado con la polaridad correcta. Verifique que el tomacorriente esté debidamente conectado a tierra.

⚠ ADVERTENCIA

No utilice un cable de extensión, adaptador de dos clavijas ni retire la clavija con conexión a tierra del cable de alimentación.



Ubicación del suministro eléctrico.

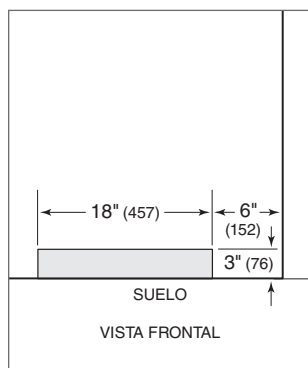
Plomería

La instalación debe cumplir con todos los códigos de plomería aplicables.

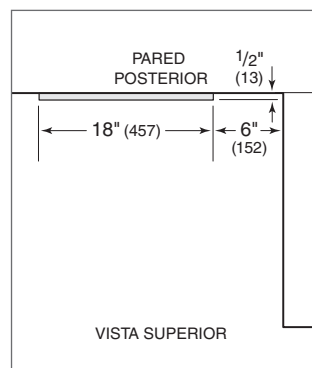
La línea del suministro de agua debe colocarse dentro del área sombreada que se muestra en las siguientes ilustraciones. La línea del suministro de agua debe conectarse al suministro doméstico con una válvula de cierre de fácil acceso. Evite utilizar válvulas- autopercutoras. La línea del suministro de agua no debe interferir con la instalación de los soportes antivuelco.

Se puede utilizar un sistema de ósmosis inversa siempre y cuando la presión del agua que llegue a la unidad se mantenga de forma constante entre 35 y 120 psi (de 2.4 a 8.3 bares) en todo momento. En esta aplicación, se debe desviar el sistema de filtrado de agua mediante la extracción del filtro. No es recomendable utilizar una línea de cobre para esta aplicación.

REQUISITOS DE PLOMERÍA	
Línea de suministro de agua	Tubería de cobre, trenzada de acero inoxidable o PEX de 1/4" de diámetro exterior.
Presión del agua	De 35 a 120 psi (de 2.4 a 8.3 bares)
Línea de exceso de agua para la conexión	36" (914)



Ubicación del suministro de agua (atrás).



Ubicación del suministro de agua (abajo).

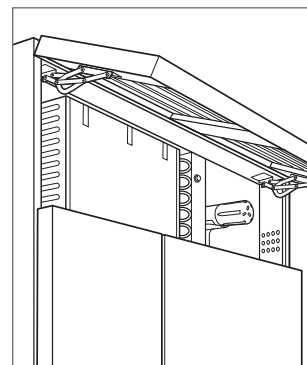
Preparación

Desembale la unidad e inspeccione si tiene algún daño. Retire la base de madera y deseche los pernos y soportes de transporte. Retire y recicle los materiales de embalaje. No deseche el zócalo, los soportes antivuelco ni las piezas de montaje.

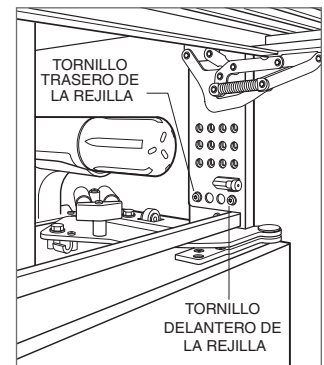
Repliegue completamente las patas niveladoras delanteras para que pueda mover la unidad a su posición. Las patas niveladoras delanteras y traseras se pueden ajustar desde el frente de la unidad una vez que la misma está en su posición.

Retire la bandeja de drenaje de la base de la unidad para evitar que se dañe y permitir que se pueda colocar bien la plataforma rodante.

Debe quitar el conjunto de la rejilla antes de mover la unidad. Para quitarlo, jale el borde inferior de la rejilla hacia fuera y gire hacia arriba. Afloje los dos tornillos traseros de montaje de la rejilla y quite los dos tornillos delanteros de montaje de la rejilla. Consulte las siguientes ilustraciones. Sujete la rejilla con firmeza, jale hacia adelante para quitarla.



Extracción de la rejilla.



Tornillos de montaje de la rejilla.

Soporte antivuelco

▲ ADVERTENCIA

Para evitar que la unidad se incline hacia delante y proporcionar una instalación estable, la unidad debe estar asegurada en su lugar con los soportes antivuelco.

Los dos soportes antivuelco deben estar instalados exactamente a 24" (610) de la parte delantera de la abertura hasta la parte trasera de los soportes y un mínimo de 4" (102) desde los lados de la abertura. Esta profundidad se incrementará a 26^{3/16}" (665) si se trata de una instalación empotrable con paneles con ^{3/4}" (19) de grosor. No colocar correctamente los soportes antivuelco impedirá que la unidad quede bien enganchada.

Utilice todas las piezas de montaje de los soportes antivuelco de acuerdo con las instrucciones para suelos de madera o de concreto.

AVISO IMPORTANTE: Para aplicaciones en suelo de madera o de concreto, si los tornillos del # 12 no alcanzan un travesaño o la placa de pared, utilice tornillos del # 8 y arandelas del # 12 con los anclajes de pared.

AVISO IMPORTANTE: En algunas instalaciones el contrapiso o el suelo terminado pueden necesitar inclinar los tornillos utilizados para sujetar los soportes antivuelco a la pared del fondo.

PIEZAS DE MONTAJE ANTIVUELCO

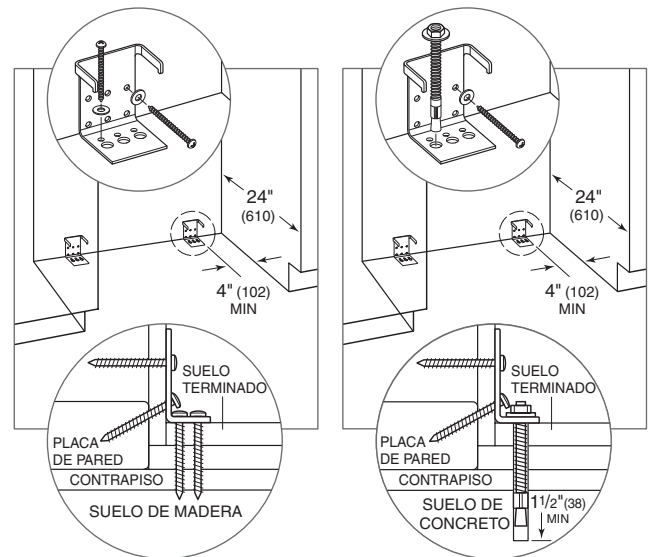
2	Soportes antivuelco
12	Tornillos de cabeza plana del #12 x 2 1/2"
4	Anclajes de cuña de ^{3/8} "-16 x 3 ^{3/4} "
12	Arandelas planas del #12
4	Tornillos de cabeza segmentada del #8 x 1 1/4"
4	Anclajes Nylon Zip-it® para pared

APLICACIÓN EN SUELO DE MADERA

Después de ubicar apropiadamente los soportes antivuelco en la abertura en bruto, taladre los orificios guía con un diámetro máximo de ^{3/16}" (5) en los travesaños o en la placa de la pared. Utilice los tornillos #12 y las arandelas para sujetar los soportes. Compruebe que los tornillos penetren a través del material del suelo y los travesaños o la placa de la pared un mínimo de ^{3/4}" (19). Consulte la siguiente ilustración.

APLICACIÓN EN PISO DE CONCRETO

Después de ubicar apropiadamente los soportes antivuelco en la abertura de la pared, taladre los orificios guía con un diámetro máximo de ^{3/16}" (5) en los travesaños o en la placa de la pared. Taladre orificios con un diámetro de ^{3/8}" (10) en el concreto con una profundidad mínima de 1 1/2" (38). Utilice los tornillos #12 y las arandelas para sujetar los soportes a la pared, y utilice las anclas de cuña de ^{3/8}" para sujetar los soportes al suelo. Compruebe que los tornillos penetren los travesaños o la placa de la pared un mínimo de ^{3/4}" (19). Consulte la siguiente ilustración.



Suelo de madera.

Suelo de concreto.

Soporte antivuelco

INSTALACIÓN DE LAS ANCLAS DE CUÑA PARA CONCRETO:

- 1 Haga un orificio de $\frac{3}{8}$ " (10) de diámetro con una profundidad superior al empotrado mínimo. Limpie el orificio o continúe taladrando para hacer el orificio más profundo y que quepan los residuos en él.
- 2 Coloque la arandela y la tuerca al ras del extremo del ancla para proteger las roscas. Inserte el ancla a través del material que va a fijar hasta que la arandela quede al ras del material de la superficie.
- 3 Para expandir el ancla gire la tuerca de 3 a 5 vueltas para ajustarla hasta que quede bien apretada o a 25 libras-pie de torsión.

⚠ ADVERTENCIA

Verifique que no haya cables eléctricos o tuberías en la zona donde va a introducir los tornillos.

⚠ PRECAUCIÓN

Utilice siempre gafas de seguridad y otros dispositivos o prendas de protección que sean necesarios al instalar o trabajar con anclas.

No se recomienda el uso de anclas en material de mampostería poco pesado, como son los bloques o ladrillos, tampoco se recomienda utilizarlos en concreto fresco que no haya tenido tiempo suficiente para curar. No se recomienda el uso de brocas huecas para hacer los orificios para el ancla.

Colocación

▲ PRECAUCIÓN

Antes de mover la unidad a su posición, asegúrese de que las puertas estén cerradas y proteja cualquier suelo con acabado.

Utilice una plataforma rodante para mover la unidad cerca de la abertura.

Si la unidad ha estado o está acostada o de lado, debe ponerla de pie y dejarla así durante un mínimo de 24 horas antes de conectarla al suministro eléctrico.

Conecte el cable de alimentación a la conexión a tierra y coloque la unidad en su sitio. Compruebe que los soportes antivuelco estén bien enganchados.

AVISO IMPORTANTE: Si se utilizan, los paneles laterales deberán instalarse antes de colocar la unidad en su posición final. Consulte la página 15.

Línea de agua

Debe conectar un tubo de plástico de aproximadamente 3' (.9 m) de 1/4" (6) a la unidad con una conexión de compresión de 1/4" (6) previamente ensamblada debajo de la unidad. El kit para instalar la conexión de la tubería de agua, que viene con la unidad, contiene un accesorio para unión de compresión de 1/4" (6) para conectarlo a la toma de agua doméstica.

Purgue la línea de agua antes de hacer la conexión final a la unidad. Esto eliminará cualquier residuo que pueda haber quedado en la tubería al instalar la nueva línea de agua.

Coloque la manga y la tuerca en la toma de agua y sujételos a la conexión en el extremo de la tubería. No apriete demasiado. Revise todos los accesorios de la línea de agua para detectar fugas. Compruebe si puede instalar y quitar la bandeja de drenaje sin interferir con la línea de agua.

AVISO IMPORTANTE: Si utiliza un sistema de ósmosis inversa, se recomienda desviar el sistema de filtración de agua mediante la extracción del filtro.

AVISO IMPORTANTE: Las líneas de agua no pueden quedar expuestas a temperaturas de congelación.

Paneles personalizados

Para aplicaciones revestibles y empotrables, es necesario instalar las puertas personalizadas y los paneles de rejilla. El tamaño del panel es fundamental para un buen ajuste. Para verificar los requisitos y dimensiones del panel, consulte la guía de diseño de Sub-Zero en subzero.com/specs.

AVISO IMPORTANTE: Las aplicaciones empotrables requieren de un margen mínimo de 1/2" (13) en todos los lados.

Asegúrese de que todos los lados de los paneles personalizados tengan un buen acabado. Estos pueden verse al abrir la puerta o a través de la ventana de los modelos con puertas de vidrio.

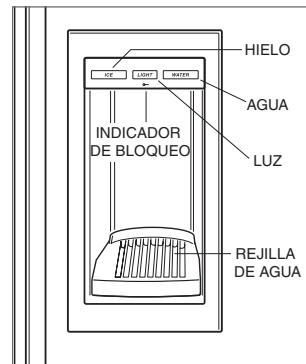
DISPENSADOR EXTERNO

Para los modelos con dispensador externo, tendrá que extraer la unidad del dispensador antes de que pueda instalar los paneles personalizados.

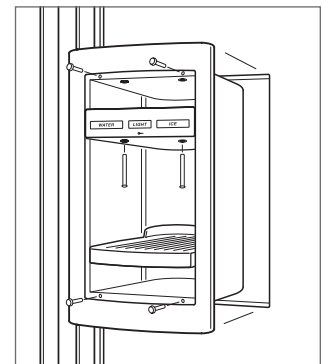
AVISO IMPORTANTE: El grosor total del panel (incluido el respaldo y el espaciador, si se utilizan) en el área de la unidad del dispensador puede ir de 1/4" (6) a un máximo de 1 1/8" (29). Si el panel es más grueso, la guía del área debe tener un grosor máximo de 1 1/8" (29).

Para quitar la unidad del dispensador, levante la rejilla de agua hacia arriba y hacia afuera. Para quitar el panel de control, retire de los soportes centrales del mandril de plástico. Incline el panel de control y desconecte el mazo de cables (con el lado azul hacia arriba) desde la parte trasera. Para extraer el engaste, quite los cuatro tornillos. Consulte las siguientes ilustraciones.

Una vez que haya instalado los paneles personalizados, invierta el procedimiento para reinstalar la unidad del dispensador.



Unidad del dispensador.



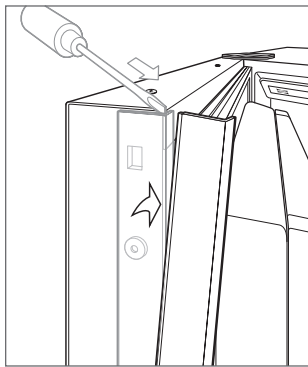
Extracción de la unidad del dispensador.

Paneles personalizados

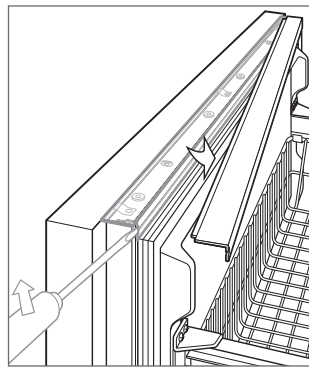
PANELES DE PUERTA

Para instalar los paneles de puerta personalizados, retire la moldura del ribete del lado de la manija. Inserte la punta del destornillador en la ranura de la esquina superior del lado de la manija y saque el ribete. Para el cajón, inserte la punta del destornillador en la ranura en cada lado del ribete que recorre la parte superior del cajón y saque el ribete. Quite los tornillos y el marco. Consulte las siguientes ilustraciones.

La puerta tiene un marco de 1/4" (6) donde se desliza el panel personalizado. Si el panel tiene un grosor mayor a 1/4" (6), coloque una guía alrededor del panel o monte el panel en una hoja de material con un grosor de 1/4" (6), luego inserte en el marco.



Ribete del lado de la puerta.



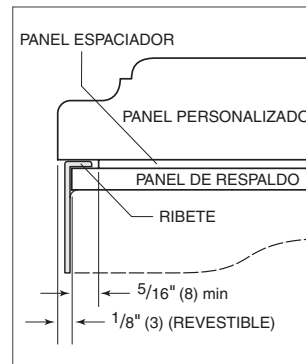
Ribete del lado del cajón.

Se necesita un espacio de .10" (3) entre el panel de respaldo y el panel personalizado para permitir que el panel se deslice en el marco de la puerta. Consulte las siguientes ilustraciones para ver las dimensiones críticas.

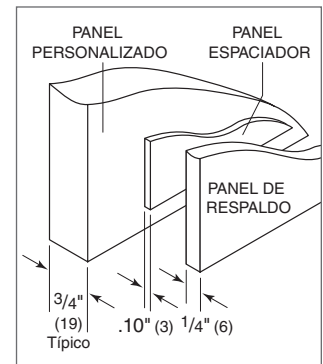
Instale las piezas de montaje de la manija antes de insertar el panel. Es recomendable utilizar manijas estilo D en lugar de perillas. Las cabezas de los tornillos deben ser avellanadas en el panel.

Deslice el panel en el marco.

Para volver a instalar la moldura del ribete de la puerta, inserte la parte superior del ribete en las ranuras de la parte superior de la puerta y trabaje hacia abajo, ajustando el ribete en los clips en el marco de la puerta. Para el cajón, empiece en un extremo y desplácese hacia el extremo opuesto, ajustando el ribete en los clips.



Sección transversal del montaje del panel (superposición).



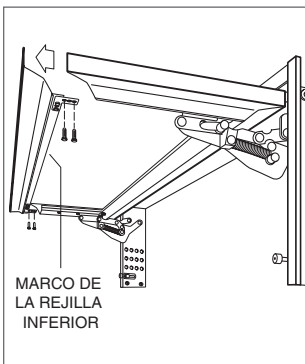
Vista posterior del montaje del panel.

Paneles personalizados

PANEL DE REJILLA

Para quitar el marco de la rejilla inferior extraiga los tornillos de las dos esquinas inferiores de cada lado de la rejilla. Consulte la siguiente ilustración.

Una vez que haya retirado la sección inferior, deslice el panel personalizado de la rejilla dentro del marco. Si el panel es más delgado que 1/4" (6), deberá instalar un material de relleno para lograr un ajuste adecuado. Una vez que el panel está instalado, vuelva a colocar el marco de la rejilla inferior, deslice los soportes de las esquinas en su posición, luego vuelva a instalar los tornillos de las cuatro esquinas.



Montaje del marco de la rejilla.

PANEL LATERAL

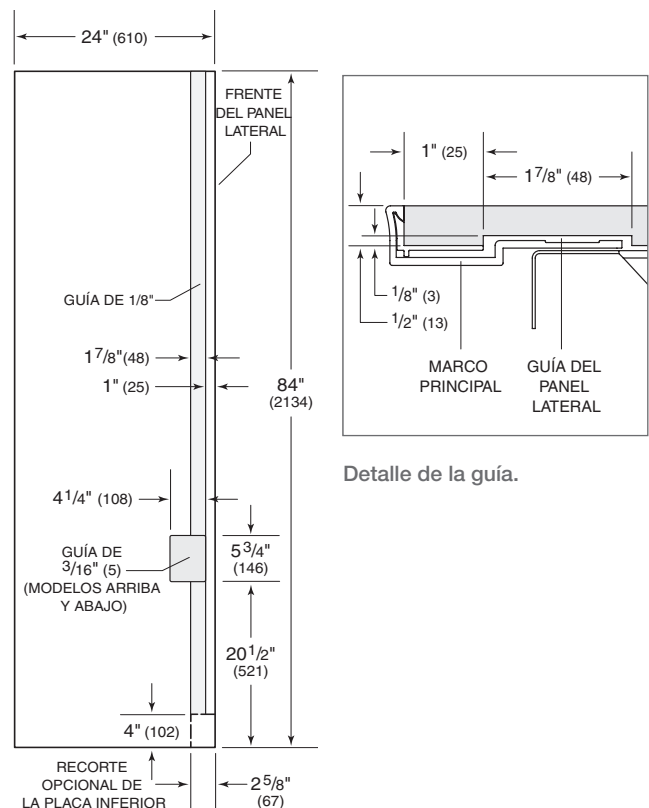
Para instalar un panel lateral personalizado, necesitará un kit de accesorios, disponible a través de un distribuidor autorizado de Sub-Zero. Para obtener más información acerca de los distribuidores locales, visite la sección para encontrar una sala de exhibición de nuestro sitio web, subzero.com. También puede encontrar paneles laterales de acero inoxidable y de esmalte blanco disponibles en los establecimientos de los distribuidores autorizados de Sub-Zero.

AVISO IMPORTANTE: El uso de paneles laterales puede cambiar el ancho de la abertura en bruto.

Un panel lateral personalizado debe tener una profundidad mínima de 24" (610) y un grosor de 1/2" (13). Será necesario usar una guía para que el panel lateral quede a ras contra el costado de la unidad. Consulte las siguientes ilustraciones.

AVISO IMPORTANTE: La altura del panel lateral variará con la altura de la rejilla. Verifique la altura final antes de modificar los paneles.

AVISO IMPORTANTE: Para los modelos arriba y abajo (over-and-under) y con puertas francesas, será necesaria una guía adicional para dar cabida a la placa de la bisagra inferior del refrigerador.



Detalle de la guía.

Alineación

NIVELACIÓN

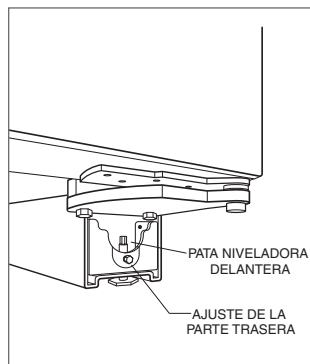
Una vez que la unidad está en posición, gire las patas niveladoras delanteras en sentido de las manecillas del reloj para ajustar la altura. El ajuste de la altura de la parte trasera se puede realizar desde la parte delantera de la base rodante. Con una llave de vaso de $\frac{3}{8}$ " (9), gire el perno hexagonal de $\frac{3}{8}$ " (9) en sentido de las manecillas del reloj para elevar la unidad o en sentido opuesto de las manecillas del reloj para bajarla. Utilice la velocidad más baja para el par de torsión cuando utilice un taladro eléctrico. No ajuste las patas niveladoras traseras con la mano. Consulte la siguiente ilustración.

Cuando la unidad está bien nivelada, no es tan necesario ajustar de las puertas y los cajones.

AVISO IMPORTANTE: Nivele la unidad con el suelo, no con los gabinetes que la rodean. Esto podría afectar el funcionamiento de la unidad, por ejemplo el cerrado de la puerta.

▲ ADVERTENCIA

Para reducir la posibilidad de que la unidad se vuelque hacia adelante, las patas niveladoras delanteras deben estar en contacto con el suelo.



Ajuste de la base rodante trasera.

AJUSTE DE LA PUERTA

La inclinación de las puertas de los modelos lado a lado y arriba y abajo pueden ajustarse hacia adentro y hacia afuera, y de lado a lado. Las puertas de los modelos de puertas lado a lado también pueden ajustarse hacia arriba y hacia abajo.

Para hacer los ajustes, afloje ligeramente los tornillos de las dos bisagras superiores en la placa de la bisagra superior con una llave de $\frac{1}{2}$ " (12). Consulte la siguiente ilustración.

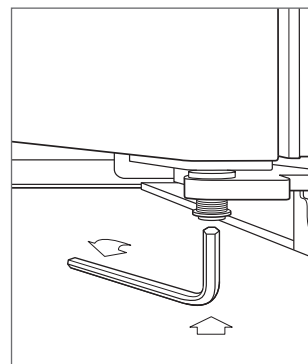
Ajuste hacia adentro y hacia afuera | Para una puerta con bisagra izquierda, con una llave allen de $\frac{5}{32}$ " (4), gire el perno de ajuste en sentido de las manecillas del reloj para llevar el lado de la manija hacia adentro, y en sentido opuesto de las manecillas del reloj para llevar el lado de la manija hacia afuera. Invierta las instrucciones para una puerta de bisagra derecha.

Ajuste de la inclinación lado a lado | Para una puerta con bisagra izquierda, con una llave de $\frac{3}{8}$ " (9), gire el perno de ajuste en sentido de las manecillas del reloj para elevar el lado de la manija, y en sentido opuesto de las manecillas del reloj para bajar el lado de la manija. Invierta las instrucciones para una puerta de bisagra derecha.

Ajuste hacia arriba y hacia abajo | Para una puerta con bisagra izquierda, con una llave allen de $\frac{1}{4}$ " (6), gire el perno de ajuste en sentido de las manecillas del reloj para elevar la puerta, y en sentido opuesto de las manecillas del reloj para bajar la puerta. Consulte la siguiente ilustración. Invierta las instrucciones para una puerta de bisagra derecha.



Pernos para ajustar la puerta.

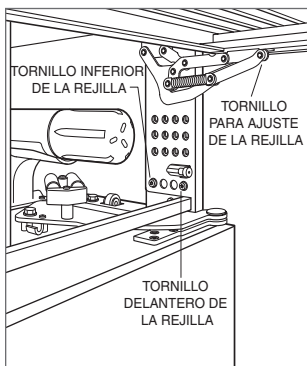


Ajuste de la puerta hacia arriba y hacia abajo.

Finalización

INSTALACIÓN DE LA REJILLA

Instale el conjunto de la rejilla y verifique que se ajuste adecuadamente. La rejilla está diseñada para descansar en la bisagra (o bisagras) superior de la puerta para minimizar la vista entre la parte superior de la puerta y la parte inferior de la rejilla. Para eliminar la interferencia, puede ajustar la altura de la rejilla. Afloje los cuatro tornillos de ajuste de la rejilla (dos en cada lado) y ajuste la altura de la rejilla según sea necesario. Consulte la siguiente ilustración.



Ajuste de la altura de la rejilla.

ANCLAJE

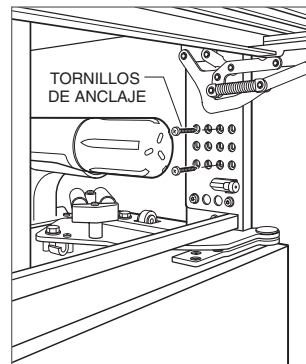
Después de nivelar la unidad y completar el ajuste de la puerta, fije la unidad a la abertura para asegurarse de que esté bien ajustada y la instalación sea segura.

Para fijar la parte superior de la unidad, abra la rejilla e instale los tornillos suministrados, en los gabinetes a través del marco de la rejilla. Hay orificios en varios lugares. Consulte la siguiente ilustración. Abra la puerta para comprobar que ésta abre sin problemas.

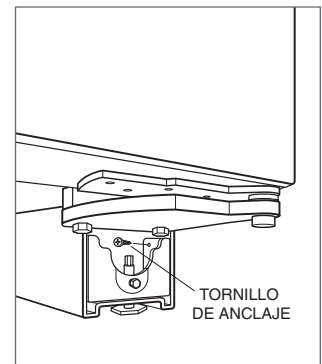
Para fijar la parte inferior de la unidad, introduzca un tornillo a través del orificio lateral dentro de cada conjunto de la base rodante. El tornillo debe entrar en un ángulo para que quede bien sujeto. Consulte la siguiente ilustración. Puede necesitar material adicional detrás de la cornamusa para asegurar que la unidad tenga un buen anclaje.

⚠ PRECAUCIÓN

Si los tornillos proporcionados no son adecuados para la instalación, utilice los tornillos adecuados.



Anclaje superior.



Anclaje inferior.

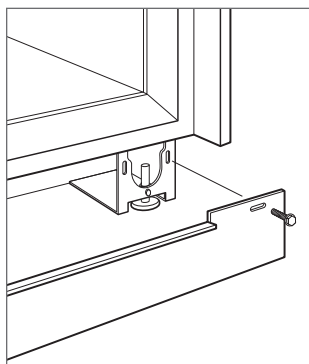
Finalización

Vuelva a instalar la bandeja de drenaje y compruebe que esté bien puesta.

Instale el zócalo y sujételo a los soportes con los tornillos dentro de cada una de las bases rodantes. Consulte la siguiente ilustración. El zócalo debe ser desmontable para sacarlo cuando sea necesario dar servicio a la unidad. El suelo no debe interferir al desmontarlo. Consulte la etiqueta técnica en el zócalo para conocer la especificación de altura libre.

Para encender la unidad pulse el botón de ENCENDIDO en el panel de control.

Para instalar el difusor de luz alinee las ranuras del difusor de luz en las clavijas del soporte y jale hacia adelante para que las lengüetas de las ranuras se enganchen con las clavijas del soporte. Consulte la siguiente ilustración.



Instalación del zócalo.

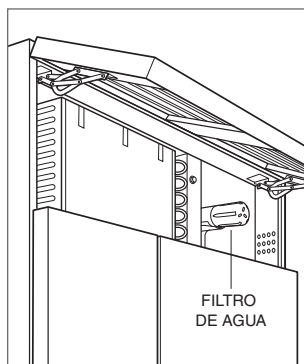


Instalación del difusor de luz.

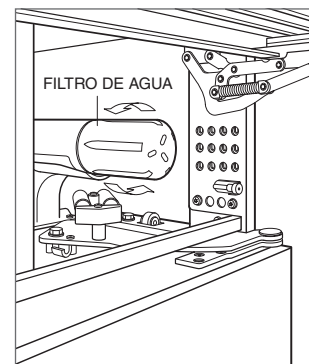
DESVIACIÓN DEL FILTRO DE AGUA

Si no va a utilizar el sistema de filtrado, puede colocarlo en el modo de desvío del filtro de agua mediante la extracción del filtro de agua. Consulte la siguiente ilustración. Siga estos pasos para extraer el filtro de agua:

- 1 Jale el borde inferior de la rejilla hacia fuera e incline el marco de la rejilla hacia arriba.
- 2 Para extraer el cartucho, gire el cartucho un cuarto de vuelta en sentido opuesto de las manecillas del reloj y jálelo hacia afuera. Consulte la siguiente ilustración.



Ubicación del filtro de agua.



Extracción del filtro de agua.

Finalización

TOPE PARA PUERTA A 90°

Las puertas de todos los modelos abren a 110°. Un tope de para puerta a 90° se proporciona con la unidad (éste se encuentra detrás de la rejilla). Los kits de topes para puerta a 90° están disponibles a través de un distribuidor autorizado de Sub-Zero.

ADVERTENCIA

Siga todas las leyes estatales y locales para almacenar, reciclar o desechar los refrigeradores y congeladores no utilizados.

Table des matières

- 3 Réfrigération encastrée
- 4 Dimensions de l'ouverture
- 8 Installation double
- 8 Puissance
- 9 Plomberie
- 9 Préparation
- 10 Support antibasculement
- 12 Mise en place
- 12 Tuyau d'alimentation en eau
- 13 Panneaux personnalisés
- 16 Alignement
- 17 Achèvement

Remarque importante

Pour s'assurer que ce produit est installé et utilisé en toute sécurité et aussi efficacement que possible, prenez note des types de renseignement mis en évidence tout au long de ce guide :

REMARQUE IMPORTANTE met en évidence des renseignements qui sont particulièrement importants.

MISE EN GARDE indique une situation où une blessure mineure ou des dommages au produit peuvent se produire si les directives ne sont pas respectées.

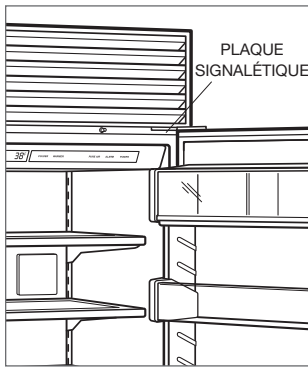
AVERTISSEMENT décrit un danger qui peut causer une blessure grave ou la mort si les précautions ne sont pas respectées.

REMARQUE IMPORTANTE : tout au long de ce guide, les dimensions entre parenthèses sont en millimètres à moins d'indication contraire.

Renseignements sur le produit

Des renseignements importants sur le produit, y compris les numéros de modèle et de série de votre unité, se trouvent sur la plaque signalétique du produit. La plaque signalétique est située sur le cadre supérieur de l'unité à l'intérieur de la porte. Reportez-vous à l'illustration ci-dessous.

Si vous avez besoin de service, communiquez avec le service Sub-Zero certifié par l'usine et ayez les numéros de modèle et de série de l'unité à la portée de la main. Pour obtenir le nom du centre de service Sub-Zero certifié par l'usine près de chez vous ou si vous avez des questions concernant l'installation, consultez la section Contact et assistance de notre site Web, subzero.com ou appelez le service à la clientèle de Sub-Zero au 800-222-7820.



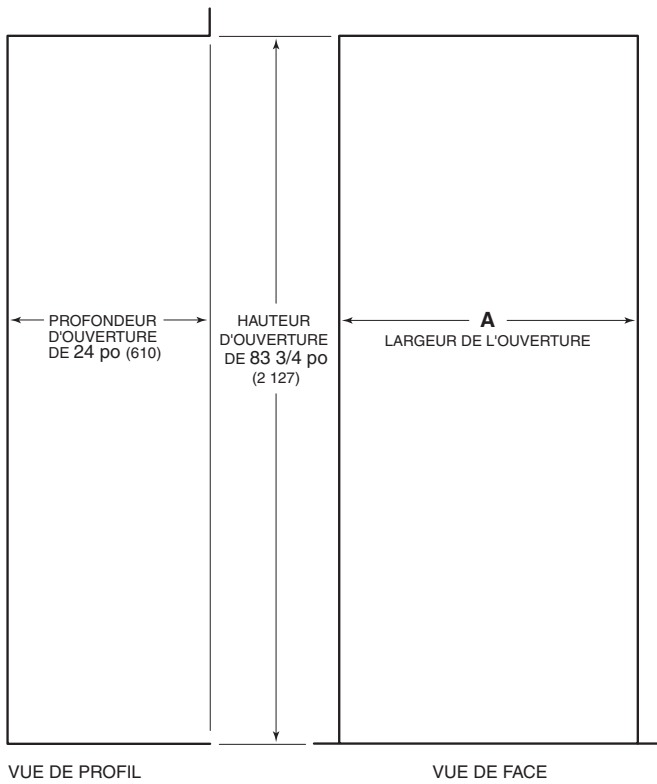
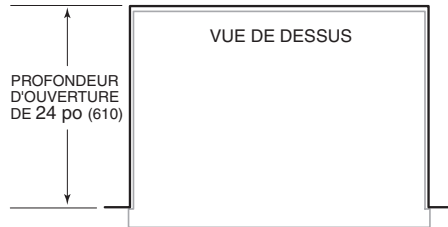
Emplacement de la plaque signalétique.

Outils et matériaux

- Tournevis—standard et cruciforme.
- Perceuse électrique.
- Mèches (des mèches à maçonnerie sont requises pour l'installation dans le béton).
- Tournevis à entraînement Torx—T-10, 15 et 20
- Ensemble de clés Allen standard.
- Ensemble de clés et douilles standard.
- Niveaux de 2 pi (601) et 4 pi (1 219).
- Coupe-tube.
- 3 pi (914) de tube PEX ou en acier inoxydable tressée en cuivre de 1/4 po (6) de diamètre extérieur.
- Vanne à étrier.
- Des matériaux pour protéger la résidence, le plancher et les armoires pendant l'installation.

Dimensions de l'ouverture

INSTALLATION STANDARD

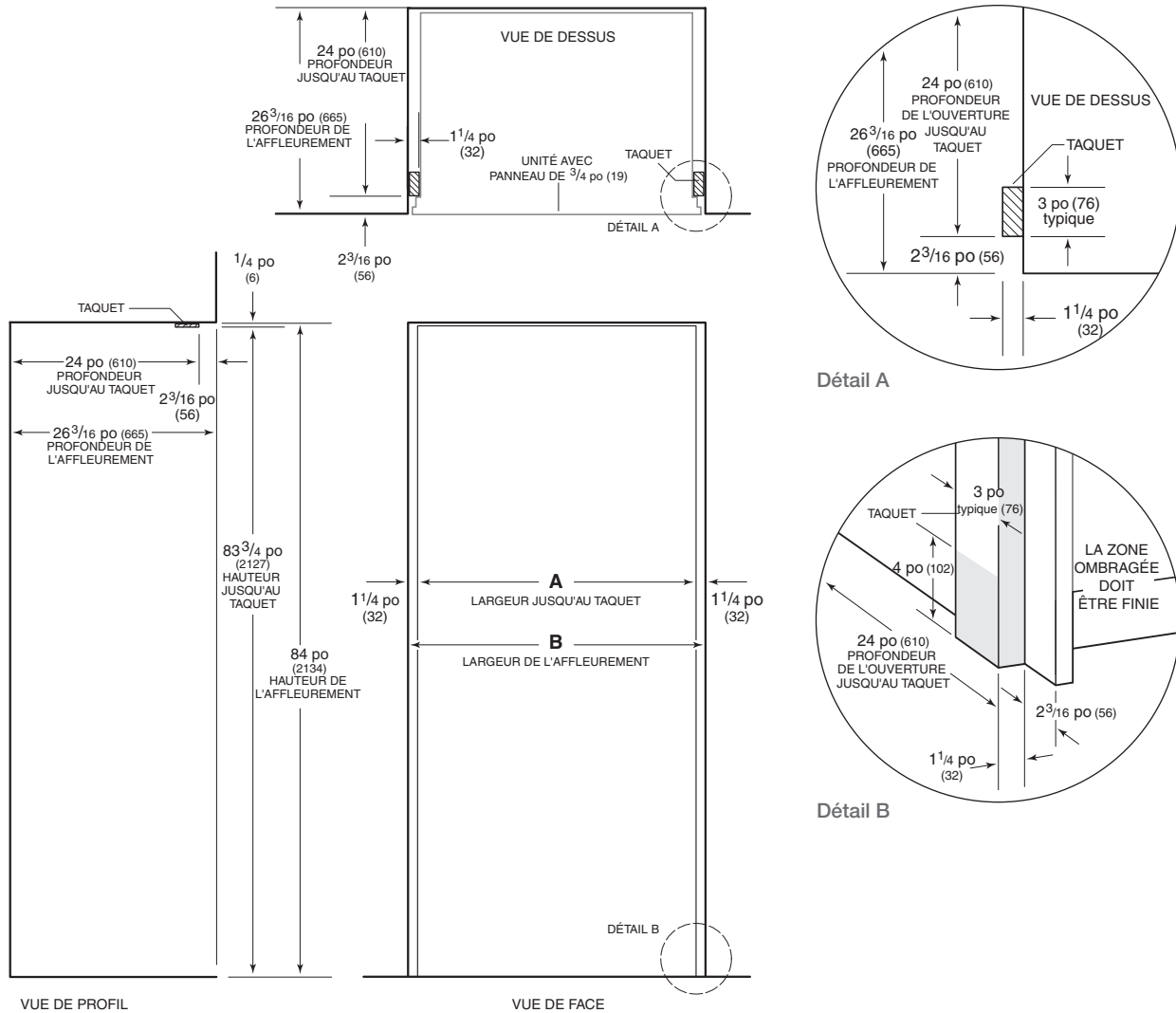


LARGEUR DE L'OUVERTURE	A
BI-36R, BI-36RG, BI-36F	35 ¹ / ₂ po (902)
BI-30U, BI-30UG	29 ¹ / ₂ po (746)
BI-36U, BI-36UG, BI-36UFD	35 ¹ / ₂ po (902)
BI-36S	35 ¹ / ₂ po (902)
BI-42UFD	41 ¹ / ₂ po (1 054)
BI-42S, BI-42SID, BI-42SD	41 ¹ / ₂ po (1 054)
BI-48S, BI-48SID, BI-48SD	47 ¹ / ₂ po (1 206)

Si deux unités sont installées côté à côté, reportez-vous à la page 6.

Dimensions de l'ouverture

INSTALLATION À AFFLEUREMENT

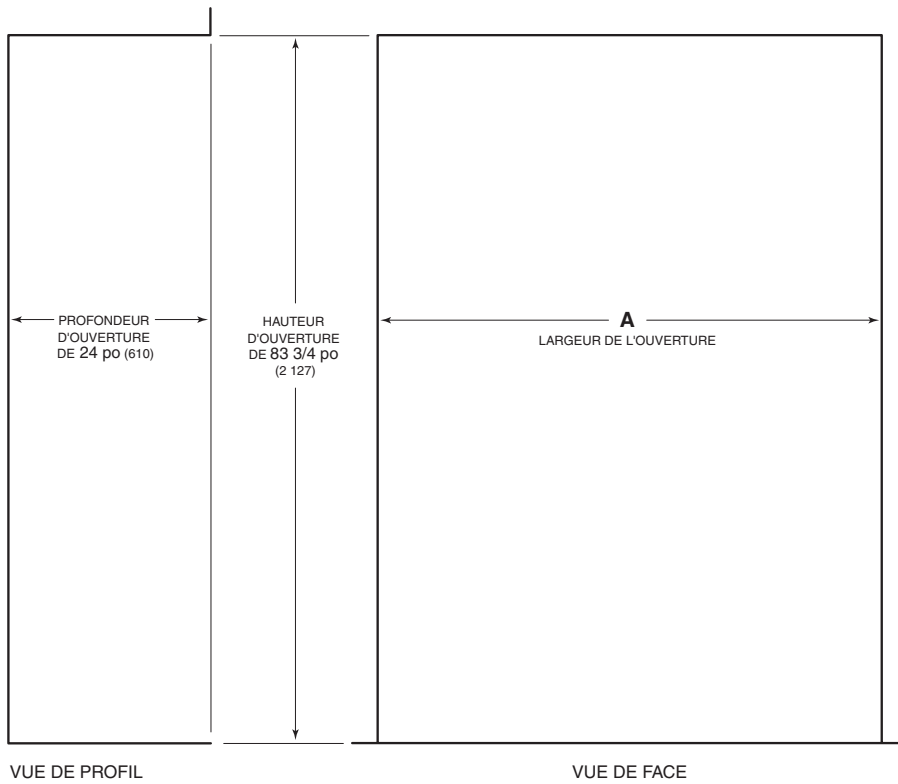
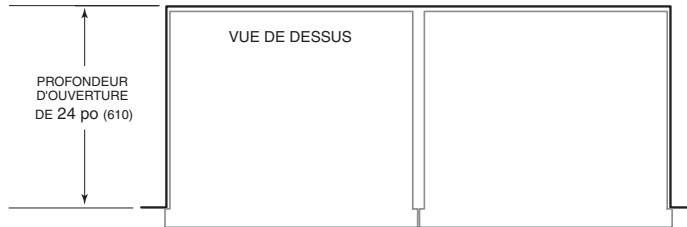


LARGEUR DE L'OUVERTURE	A	B
BI-36R, BI-36RG, BI-36F	35 1/2 po (902)	38 po (965)
BI-30U, BI-30UG	29 1/2 po (746)	32 po (813)
BI-36U, BI-36UG, BI-36UFD	35 1/2 po (902)	38 po (965)
BI-36S	35 1/2 po (902)	38 po (965)
BI-42UFD	41 1/2 po (1 054)	44 po (1 118)
BI-42S, BI-42SID, BI-42SD	41 1/2 po (1 054)	44 po (1 118)
BI-48S, BI-48SID, BI-48SD	47 1/2 po (1 206)	50 po (1 270)

Les dimensions assument une épaisseur de panneau de 3/4 po (19). Si deux unités sont installées côté à côté, reportez-vous à la page 7.

Dimensions de l'ouverture

INSTALLATION DOUBLE STANDARD

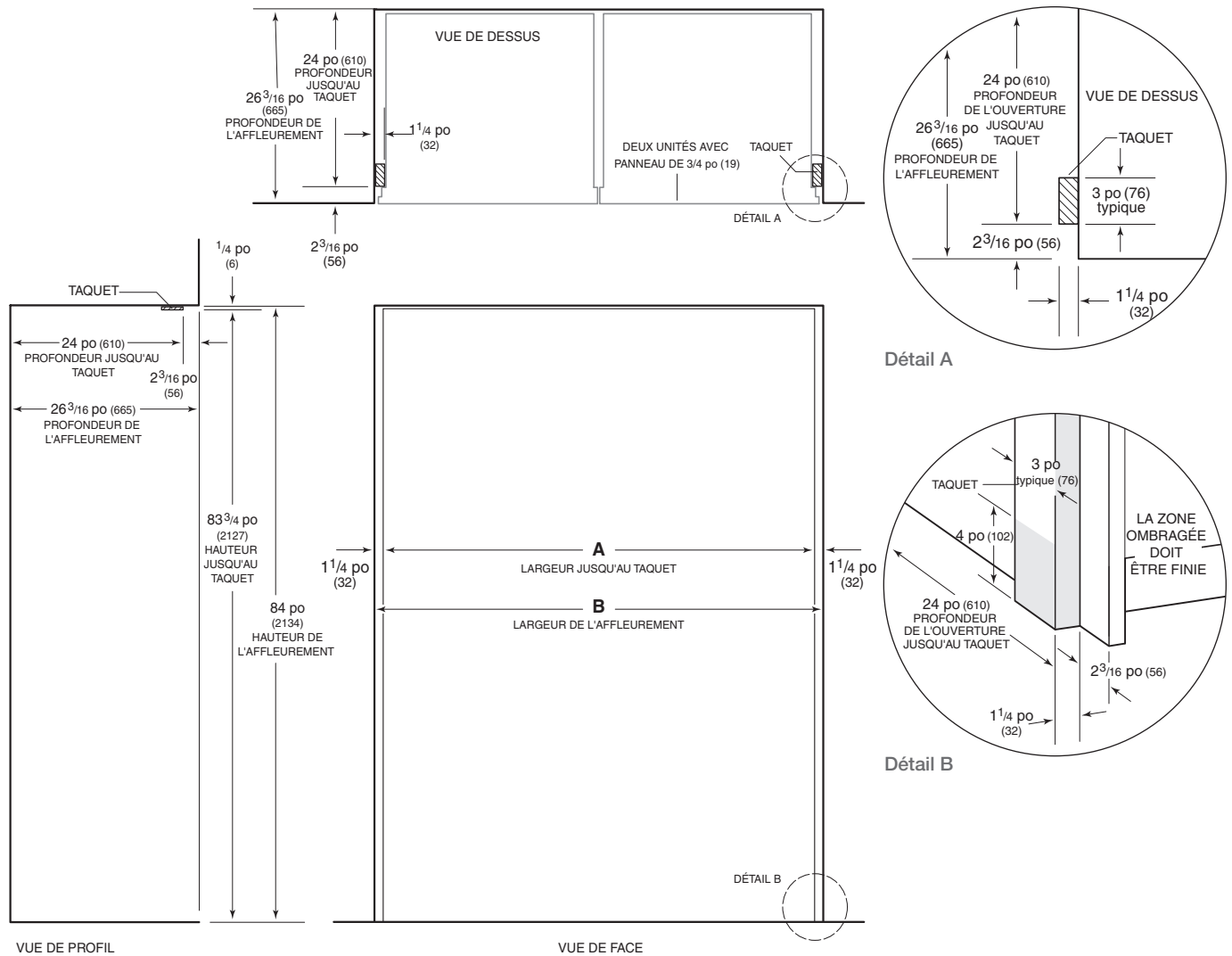


LARGEUR DE L'OUVERTURE	A
Deux modèles de 30 po (762)	59 ³ / ₄ po (1518)
Modèles de 30 po (762) et 36 po (914)	65 ³ / ₄ po (1 670)
Deux modèles de 36 po (914)	71 ³ / ₄ po (1 822)

Une trousse d'installation double sera requise pour cette installation.

Dimensions de l'ouverture

INSTALLATION DOUBLE À AFFLEUREMENT



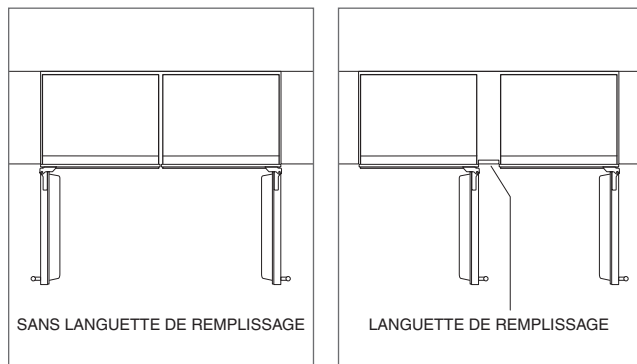
LARGEUR DE L'OUVERTURE	A	B
Deux modèles de 30 po (762)	59 3/4 po (1 518)	62 1/4 po (1 581)
Modèles de 30 po (762) et 36 po (914)	65 3/4 po (1 670)	68 1/4 po (1 734)
Deux modèles de 36 po (914)	71 3/4 po (1 822)	74 1/4 po (1 886)

Les dimensions assument une épaisseur de panneau de 3/4 po (19). Une trousse d'installation double sera requise pour cette installation.

Installation double

Si deux unités sont installées côte à côte, une trousse d'installation double pourra être requise. Les installations sans languette de remplissage personnalisée nécessitent une trousse d'installation double. Si une trousse d'installation double n'est pas précisée, une languette de remplissage de 2 po (51) est recommandée entre les unités. Les installations doubles sans languette de remplissage ne peuvent être réussies qu'en utilisant deux unités avec des charnières opposées. Reportez-vous aux illustrations ci-dessous.

Des trusses d'installation double sont offertes par les dépositaires Sub-Zero autorisés. Pour obtenir des renseignements sur le dépositaire local, visitez la section Trouver une salle d'exposition de notre site Web, subzero.com. Pour des questions concernant l'installation, appelez le service à la clientèle de Sub-Zero au 800-222-7820.



Charnières opposées.

Charnières du même côté.

Puissance

L'installation doit se conformer à tous les codes électriques applicables.

L'alimentation électrique doit se trouver à l'intérieur de la zone ombragée indiquée dans l'illustration ci-dessous. Un circuit séparé servant uniquement cet appareil est requis. Un disjoncteur de fuite de terre (GFCI) n'est pas recommandé et peut interrompre le fonctionnement.

INSTALLATIONS ÉLECTRIQUES

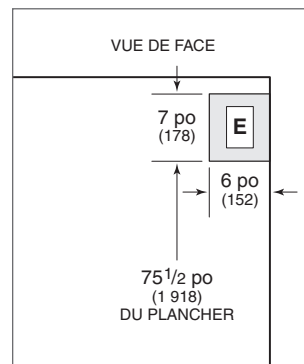
Alimentation électrique	115 volts CA, 60 Hz
Disjoncteur	15 ampères
Prise	mise à la terre à trois broches

▲ MISE EN GARDE

Cette prise doit être vérifiée par un électricien qualifié pour s'assurer qu'elle est câblée avec la polarité appropriée. Assurez-vous que la prise est correctement mise à la terre.

▲ AVERTISSEMENT

N'utilisez pas une rallonge ou un adaptateur à deux broches et ne retirez pas la broche de mise à la terre du cordon d'alimentation.



Emplacement de l'alimentation électrique

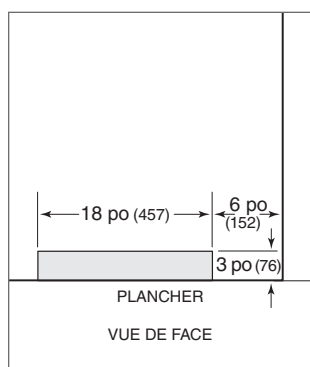
Plomberie

L'installation doit se conformer à tous les codes de plomberie applicables.

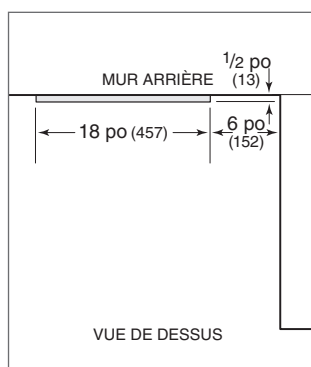
Le tuyau d'alimentation en eau doit se trouver à l'intérieur de la zone ombragée indiquée dans les illustrations ci-dessous. Le tuyau d'alimentation en eau doit être relié à l'alimentation de la maison avec un robinet d'arrêt facilement accessible. N'utilisez pas des vannes à auto-perçage. Le tuyau d'alimentation en eau ne doit pas nuire à l'installation des supports antibasculement.

Un système à osmose inverse peut être utilisé à condition qu'il y ait une pression d'eau constante de 35 à 120 psi (2,4 à 8,3 bars) vers l'unité en tout temps. Dans cette application, le système de filtration doit être dérivé en retirant le filtre. Une conduite en cuivre n'est pas recommandée pour cette application.

EXIGENCES DE PLOMBERIE	
Tuyau d'alimentation en eau	tube PEX ou en acier inoxydable tressé en cuivre de 1/4 po de diamètre extérieur
Pression d'eau	35–120 psi (2,4–8,3 bars)
Tuyau d'alimentation en eau supplémentaire pour connexion	3/8 po (9,5 mm)



Emplacement de l'alimentation en eau (arrière).



Emplacement de l'alimentation en eau (fond).

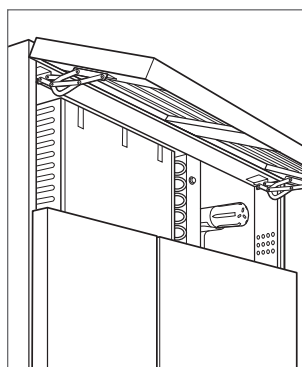
Préparation

Sortez l'unité de la boîte et examinez-la pour vous assurer qu'elle n'est pas endommagée. Retirez la base en bois et jetez les boulons et les supports d'expédition. Retirez et recyclez les matériaux d'emballage. Ne jetez pas la plaque de protection, les supports antibasculement et la quincaillerie.

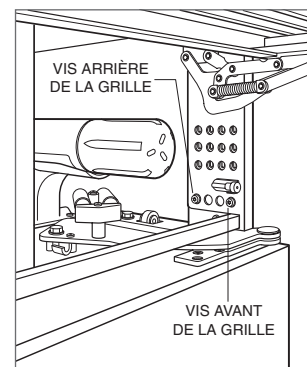
Rentrez complètement les pieds de nivellement avant afin de pouvoir déplacer l'unité jusqu'à son emplacement. Les pieds de nivellement avant et arrière peuvent être réglés à partir de l'avant lorsque l'unité est en place.

Retirez la cuvette d'égouttement de la base de l'unité pour éviter de l'endommager et permettre de bien placer le chariot à appareil.

L'assemblage de la grille doit être retiré avant de déplacer l'unité. Pour retirer, tirez le rebord inférieur de la grille vers l'extérieur et tournez-le vers le haut. Desserrez les deux vis de montage arrière de la grille et retirez les deux vis de montage avant de la grille. Reportez-vous aux illustrations ci-dessous. En tenant la grille fermement, tirez vers l'avant pour la retirer.



Retrait de la grille.



Vis de montage de la grille

Support antibasculement

▲ AVERTISSEMENT

Pour empêcher l'unité de basculer vers l'avant et obtenir une installation stable, elle doit être fixée en place au moyen des supports antibasculement.

Les deux supports antibasculement doivent être installés exactement à une distance de 24 po (610) de l'avant de l'ouverture préliminaire jusqu'à l'arrière des supports et à une distance d'au moins 4 po (102) des côtés de l'ouverture préliminaire. Cette profondeur augmentera à 26³/₁₆ po (665) pour une installation à affleurement avec des panneaux de 3/4 po (19) d'épaisseur. Si les supports antibasculement ne sont pas alignés adéquatement, ils ne s'enclencheront pas correctement.

Utilisez toute la quincaillerie pour support antibasculement selon les directives pour les planchers en bois ou en béton.

REMARQUE IMPORTANTE : pour les applications sur des planchers en bois ou en béton, si les vis n° 12 ne touchent pas un poteau mural ou une plaque murale, utilisez les vis n° 8 et les rondelles n° 12 avec les cales d'ancrage.

REMARQUE IMPORTANTE : dans certaines installations, le sous-plancher ou le plancher fini peuvent nécessiter l'inclinaison des vis utilisées pour fixer les supports antibasculement au mur arrière.

QUINCAILLERIE ANTIBASCULEMENT

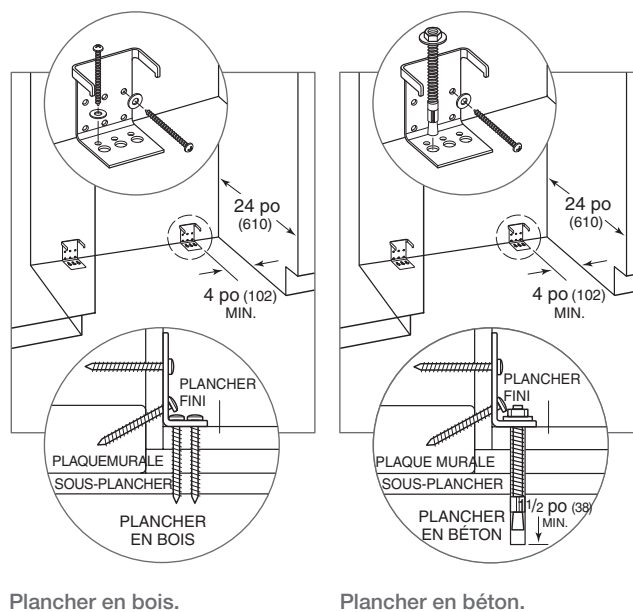
2	Supports antibasculement
12	Vis à tête cylindrique bombée n°12 x 2 1/2 po
4	Cales d'ancrage de 3/8 po - 16 x 3 3/4 po
12	Rondelles plates n°12
4	Vis à tête cylindrique bombée n°8 - 18 x 1 1/4 po
4	Cales d'ancrage au mur à glissière en nylon Zip-it®

APPLICATION SUR UN PLANCHER EN BOIS

Après avoir correctement repéré les supports antibasculement dans l'ouverture préliminaire, percez des avant-trous de 3/16 po (5) de diamètre au maximum dans les poteaux muraux ou la plaque murale. Utilisez les vis et les rondelles n° 12 pour fixer les supports. Vérifiez que les vis pénètrent dans le matériau du plancher et dans les poteaux muraux ou la plaque murale d'une distance d'au moins 3/4 po (19). Reportez-vous à l'illustration ci-dessous.

APPLICATION SUR UN PLANCHER EN BÉTON

Après avoir correctement repéré les supports antibasculement dans l'ouverture préliminaire, percez des avant-trous de 3/16 po (5) de diamètre au maximum dans les poteaux muraux ou la plaque murale. Percez des trous de 3/8 po (10) de diamètre dans le béton d'une profondeur d'au moins 1 1/2 po (38). Utilisez les vis et les rondelles n° 12 pour fixer les supports au mur et utilisez les cales d'ancrage de 3/8 po (10) pour fixer les supports au plancher. Vérifiez que les vis pénètrent dans les poteaux muraux ou la plaque murale d'une distance d'au moins 3/4 po (19). Reportez-vous à l'illustration ci-dessous.



Support antibasculement

INSTALLATION DE LA CALE D'ANCRAGE POUR BÉTON :

- 1) Percez un trou de $\frac{3}{8}$ po (10) de diamètre de toute profondeur excédant le noyage minimal. Nettoyez le trou ou continuez à percer plus profondément pour accommoder les fines de perçage.
- 2) Assemblez la rondelle et l'écrou à égalité avec l'extrémité de la cale d'ancrage pour protéger les filets. Enfoncez la cale d'ancrage dans le matériau à fixer jusqu'à ce que la rondelle soit à égalité avec la surface du matériau.
- 3) Ouvrez la cale d'ancrage en serrant l'écrou de trois à cinq tours au-delà de la position serrée à la main ou un couple de 25 pi-lb (3,4 kg-m).

▲ AVERTISSEMENT

Vérifiez qu'il n'y ait pas de fils électriques ou de plomberie dans la zone qui pourraient être pénétrés par les vis.

▲ MISE EN GARDE

Portez toujours des lunettes de sécurité et utilisez d'autres dispositifs ou vêtements de protection nécessaires lors de l'installation ou du travail avec des dispositifs d'ancrage.

Il n'est pas recommandé d'utiliser des dispositifs d'ancrage dans de la maçonnerie légère comme des blocs ou de la brique, ou dans du nouveau béton qui n'a pas eu assez de temps pour sécher. L'utilisation de forets-aléseurs n'est pas recommandée pour percer les trous des cales d'ancrage.

Mise en place

▲ MISE EN GARDE

Avant de mettre l'unité en place, sécurisez la (les) porte(s) en position fermée et protégez tout plancher fini.

Utilisez un chariot à appareil pour déplacer l'unité près de l'ouverture.

Si l'unité a été posée sur le dos ou le côté, elle doit être mise debout pendant au moins 24 heures avant de relier l'alimentation.

Branchez le cordon d'alimentation dans une prise mise à la terre et roulez l'unité en place. Vérifiez que les supports antibasculement sont correctement enclenchés.

REMARQUE IMPORTANTE : le cas échéant, les panneaux latéraux doivent être installés avant que l'unité soit placée dans sa position finale. Reportez-vous à la page 15.

Tuyau d'alimentation en eau

Approximativement 3 pi (0,9 m) de tube en plastique de 1/4 po (6) est relié à l'unité au moyen d'une connexion de compression pré-assemblée de 1/4 po sous l'unité. La trousse de connexion du raccord du tuyau d'alimentation d'eau, fournie avec l'unité, comprend un raccord d'union de compression de 1/4 po pour relier jusqu'au tuyau d'alimentation d'eau de la résidence.

Purgez le tuyau d'alimentation en eau avant d'effectuer la dernière connexion vers l'unité. Ceci éliminera tous les débris qui pourraient se trouver dans le tube suite à l'installation du nouveau tuyau d'alimentation en eau.

Placez l'écrou et le manchon sur le tuyau d'alimentation en eau et fixez à la connexion à l'extrémité du tube. Ne serrez pas trop. Vérifiez que tous les raccords du tuyau d'alimentation en eau n'aient pas de fuites. Vérifiez que la cuvette d'égouttement puisse être installée et retirée sans interférence de la part du tuyau d'alimentation en eau.

REMARQUE IMPORTANTE : si un système à osmose inverse est utilisé, il est recommandé que le système de filtration d'eau soit contourné en retirant le filtre.

REMARQUE IMPORTANTE : les tuyaux d'alimentation en eau ne doivent pas être exposés au gel.

Panneaux personnalisés

Pour les applications à affleurement et à revêtement, des panneaux de porte et de grille personnalisés doivent être installés. La taille du panneau est critique pour obtenir un ajustement approprié. Pour vérifier les exigences et les dimensions des panneaux, reportez-vous au guide de conception Sub-Zero à subzero.com/specs.

REMARQUE IMPORTANTE : les applications à affleurement nécessitent un jeu minimum de 1/2 po (13) de tous les côtés.

Finissez tous les côtés des panneaux personnalisés. Ils pourront être visibles lorsque la porte est ouverte ou par la fenêtre des modèles à porte en verre.

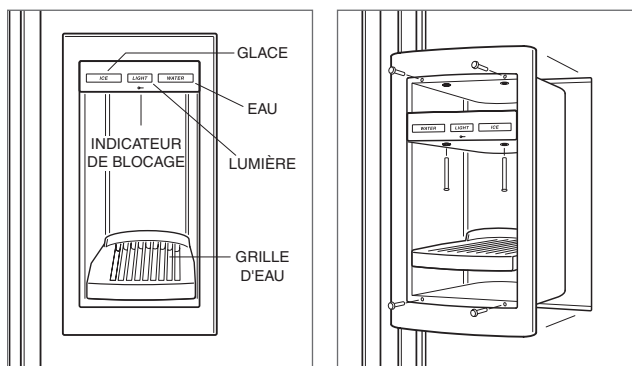
DISTRIBUTEUR EXTÉRIEUR

Pour les modèles à distributeur extérieur, le puits à verre en verre du distributeur doit être retiré avant de pouvoir installer les panneaux personnalisés.

REMARQUE IMPORTANTE : l'épaisseur totale du panneau (y compris le panneau de soutien et d'espacement, si utilisés) dans la zone du puits à verre peut varier de 1/4 (6) à un maximum de 1 1/8 po (29). Si le panneau est plus épais, la zone doit être rainurée jusqu'à une épaisseur maximale de 1 1/8 po (29).

Pour retirer le puits à verre, soulevez la grille d'eau vers le haut et l'extérieur. Retirez le panneau de commande en retirant les supports du mandrin central en plastique. Inclinez le panneau de commande vers l'extérieur et débranchez le faisceau de câbles (côté bleu vers le haut) du côté arrière. Retirez le quadrant en retirant les quatre vis. Reportez-vous aux illustrations ci-dessous.

Une fois les panneaux personnalisés installés, inversez la procédure pour réinstaller le puits à verre.



Puits de verre du distributeur.

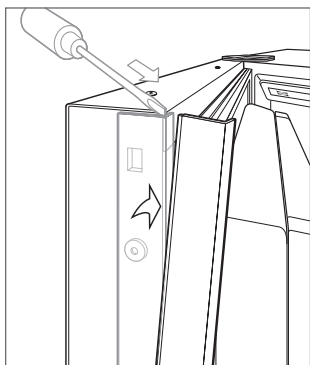
Retrait du puits de verre.

Panneaux personnalisés

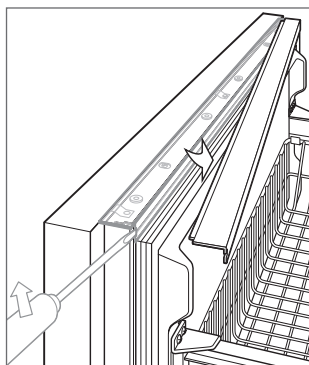
PANNEAUX DE PORTE

Pour installer des panneaux de porte personnalisés, retirez la moulure de la garniture latérale de la poignée. Insérez la pointe d'un tournevis dans la fente du coin supérieur du côté de la poignée et faites sortir la garniture. Pour le tiroir, insérez la pointe d'un tournevis dans la fente d'un côté ou l'autre de la garniture passant le long de la partie supérieure du tiroir et faites sortir la garniture. Retirez les vis et le cadre. Reportez-vous aux illustrations ci-dessous.

La porte possède un cadre de 1/4 po (6) dans lequel le panneau personnalisé peut se glisser. Si le panneau mesure plus de 1/4 po (6) d'épaisseur, rainurez une bordure le long du panneau ou montez le panneau sur une feuille de matériau de 1/4 po (6) d'épaisseur, puis insérez-le dans le cadre.



Garniture latérale de porte.



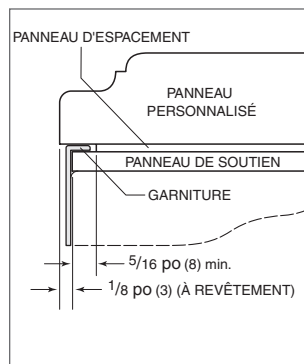
Garniture supérieure du tiroir.

Un espace de 0,10 po (3) est requis entre le panneau d'appui et le panneau personnalisé pour permettre au panneau de glisser dans le cadre de la porte. Reportez-vous à l'illustration ci-dessous pour connaître les dimensions critiques.

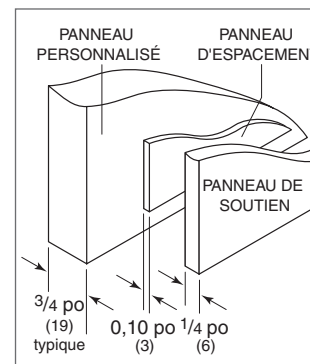
Installez la quincaillerie de poignée avant d'insérer le panneau. De grandes poignées en forme de D sont recommandées au lieu de boutons. Les têtes de vis doivent être fraisées dans le panneau.

Glissez le panneau dans le cadre.

Pour réinstaller la moulure de garnissage de la porte, insérez sa partie supérieure dans les rainures sur la partie supérieure de la porte et continuez vers le bas en enclenchant la garniture dans les pinces du cadre de la porte. Pour le tiroir, commencez à une extrémité et déplacez-vous vers l'extrémité opposée en enclenchant la garniture dans les pinces.



Section transversale de l'assemblage des panneaux (à revêtement).



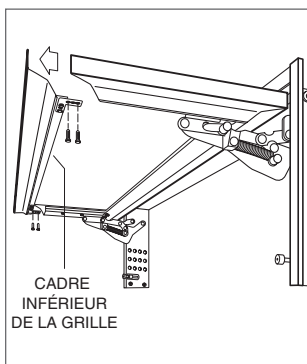
Vue arrière de l'assemblage des panneaux.

Panneaux personnalisés

PANNEAU DE LA GRILLE

Retirez le cadre inférieur de la grille en extrayant les vis des deux coins inférieurs de chaque côté de l'assemblage de la grille. Reportez-vous à l'illustration ci-dessous.

Une fois la section inférieure retirée, glissez le panneau de grille personnalisé dans le cadre. Si le panneau mesure moins de 1/4 po (6) d'épaisseur, un matériau de remplissage devra être installé pour obtenir un ajustement adéquat. Une fois le panneau installé, remplacez le cadre inférieur de la grille en glissant les supports de coin en position, puis réinstallez les quatre vis de coin.



Assemblage du cadre de la grille.

PANNEAU LATÉRAL

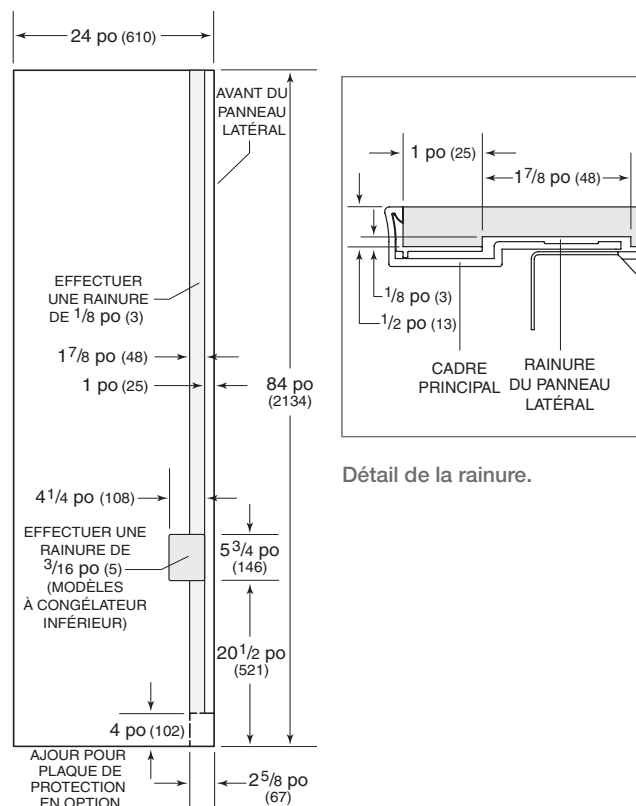
Lorsque vous installez un panneau latéral personnalisé, une trousse d'accessoire est requise et offerte par un dépositaire Sub-Zero autorisé. Pour obtenir des renseignements sur les dépositaires locaux, visitez la section Salle d'exposition de notre site Web, subzero.com. Des panneaux latéraux en émail blanc et en acier inoxydable sont aussi offerts chez les dépositaires Sub-Zero autorisés.

REMARQUE IMPORTANTE : l'utilisation de panneaux latéraux peut modifier la largeur de votre ouverture préliminaire.

Un panneau personnalisé doit mesurer au moins 24 po (610) de profondeur et 1/2 po (13) d'épaisseur. Il sera nécessaire d'effectuer une rainure afin que le panneau latéral soit affleuré contre le côté de l'unité. Reportez-vous aux illustrations ci-dessous.

REMARQUE IMPORTANTE : la hauteur du panneau latéral variera selon la hauteur de la grille. Vérifiez la hauteur finie avant de modifier les panneaux.

REMARQUE IMPORTANTE : pour les modèles à congélateur inférieur et à portes à deux vantaux, une rainure supplémentaire sera nécessaire pour accommoder la plaque de charnière inférieure du réfrigérateur.



Détail de la rainure.

Dimensions des panneaux latéraux.

Alignement

NIVELLEMENT

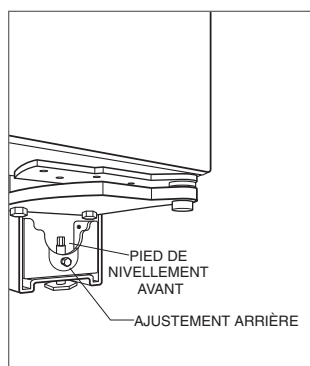
Une fois l'unité en position, tournez les pieds de nivellement avant dans le sens horaire pour régler la hauteur. Le réglage arrière de la hauteur peut être effectué à partir de l'avant de la base à roulettes. Au moyen d'une douille de $\frac{3}{8}$ po, tournez le boulon hexagonal de $\frac{3}{8}$ po dans le sens horaire pour relever l'unité ou dans le sens antihoraire pour l'abaisser. Utilisez le réglage de couple le plus bas lorsque vous utilisez une perceuse électrique. Ne tournez pas les pieds d'inclinaison arrière à la main. Reportez-vous à l'illustration ci-dessous.

Lorsque l'unité est correctement mise au niveau, des réglages à la porte et au tiroir ne seront probablement pas nécessaires.

REMARQUE IMPORTANTE : nivelez l'unité en fonction du plancher, pas des armoires environnantes. Cela pourrait affecter le fonctionnement de l'unité, comme la fermeture de la porte.

⚠ AVERTISSEMENT

Afin de réduire le risque de basculement vers l'avant de l'unité, les pieds de nivellement avant doivent être en contact avec le sol.



Réglage de la base à roulettes arrière.

AJUSTEMENT DE LA PORTE

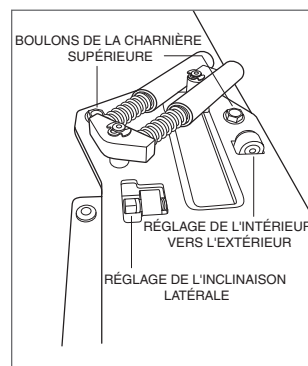
Les portes des modèles côte à côte et à congélateur inférieur peuvent être ajustées vers l'intérieur ou l'extérieur et inclinées d'un côté à l'autre. Les portes des modèles côte à côte peuvent aussi être ajustées vers le haut et le bas.

Pour effectuer des ajustements, desserrez légèrement les deux boulons de la charnière supérieure sur la plaque de charnière supérieure au moyen d'une clé de $\frac{1}{2}$ po (13). Reportez-vous à l'illustration ci-dessous.

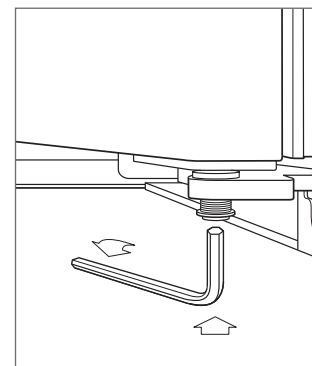
Ajustement de l'intérieur vers l'extérieur | Pour une porte à charnière à gauche, au moyen d'une clé Allen de $\frac{5}{32}$ po (4), tournez le boulon de réglage dans le sens horaire pour déplacer le côté de la poignée vers l'intérieur et dans le sens antihoraire pour déplacer le côté de la poignée vers l'extérieur. Inversez les directives pour une porte à charnière à droite.

Ajustement d'inclinaison d'un côté à l'autre | Pour une porte à charnière à gauche, au moyen d'une clé de $\frac{3}{8}$ po (4), tournez le boulon de réglage dans le sens horaire pour relever le côté où se trouve la poignée de la porte et dans le sens antihoraire pour abaisser le côté où se trouve la poignée. Inversez les directives pour une porte à charnière à droite.

Ajustement de haut en bas | Pour une porte à charnière à gauche, au moyen d'une clé Allen de $\frac{1}{4}$ po (6), tournez le boulon de réglage dans le sens horaire pour relever la porte et dans le sens antihoraire pour l'abaisser. Reportez-vous à l'illustration ci-dessous. Inversez les directives pour une porte à charnière à droite.



Boulons de réglage de la porte

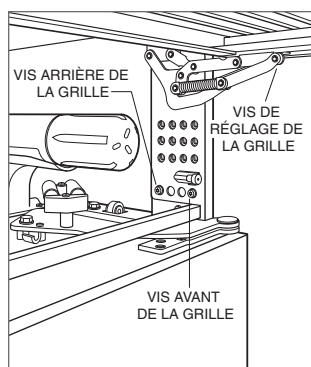


Réglage de haut en bas de la porte.

Achèvement

INSTALLATION DE LA GRILLE

Installez l'assemblage de la grille et vérifiez son ajustement. La grille est conçue pour être appuyée sur la (les) charnière(s) de porte supérieure(s) afin de minimiser le jeu entre le dessus de la porte et le bas de la grille. Pour éliminer l'interférence, la hauteur de la grille peut être ajustée. Desserrez les quatre vis de réglage de la grille (deux de chaque côté) et réglez la hauteur de la grille au besoin. Reportez-vous à l'illustration ci-dessous.



Réglage de la hauteur de la grille.

ANCRAGE

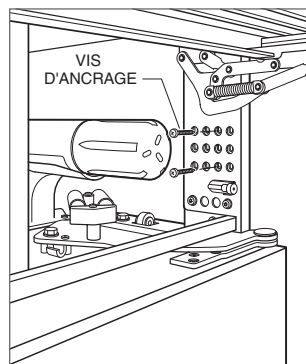
Une fois l'unité mise au niveau et le réglage de la porte terminé, ancrez l'unité à l'ouverture pour assurer un ajustement adéquat et sécuriser l'installation.

Pour ancrer la partie supérieure de l'unité, ouvrez la grille et installez les vis fournies à travers le cadre de la grille dans les armoires. Il y a plusieurs emplacements de trous. Reportez-vous à l'illustration ci-dessous. Vérifiez le dégagement de la porte en l'ouvrant.

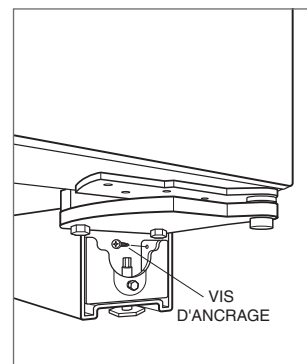
Pour ancrer la partie inférieure de l'unité, vissez une vis dans le trou latéral à l'intérieur de chaque assemblage de base de roulettes. La vis doit entrer en angle pour qu'elle se fixe correctement. Reportez-vous à l'illustration ci-dessous. Des matériaux supplémentaires peuvent être requis derrière le taquet pour assurer un ancrage suffisant.

⚠ MISE EN GARDE

Si les vis fournies ne sont pas appropriées pour l'installation, utilisez des vis adéquates.



Ancrage supérieur.



Ancrage inférieur.

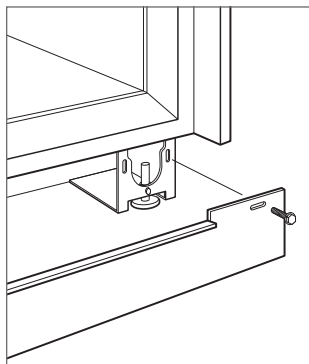
Achèvement

Réinstallez la cuvette d'égouttement et vérifiez qu'elle se trouve à la bonne position.

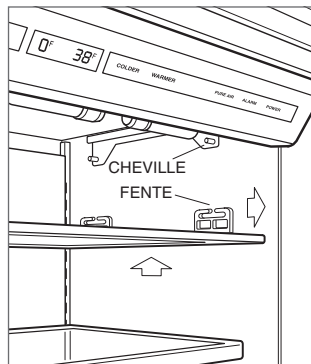
Installez la plaque de protection au moyen de vis pour la fixer aux supports situés à l'intérieur de chaque base de roulettes. Reportez-vous à l'illustration ci-dessous. La plaque de protection doit pouvoir être enlevée pour toute réparation. Le plancher ne doit pas nuire à l'enlèvement. Reportez-vous à l'étiquette se trouvant sur le support de la plaque de protection pour connaître la hauteur de dégagement.

Coupez le courant en appuyant sur la touche POWER sur le panneau de commande.

Installez le diffuseur en alignant les fentes du diffuseur sur les chevilles de support et en tirant vers l'avant de manière à ce que les onglets sur les fentes s'enclenchent sur les chevilles de support. Reportez-vous à l'illustration ci-dessous.



Installation de la plaque de protection.

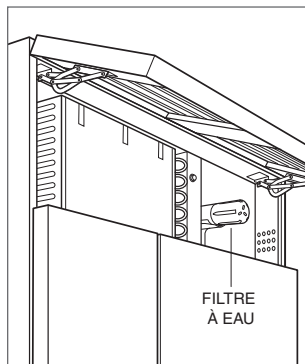


Installation du diffuseur.

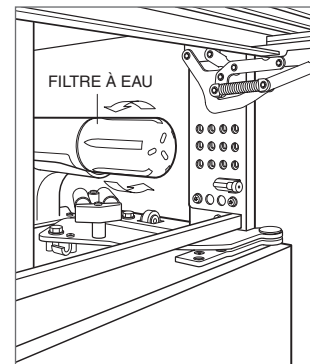
DÉRIVATION DU FILTRE À EAU

Si le système de filtration d'eau ne sera pas utilisé, il peut être mis en mode de dérivation du filtre à eau en retirant le filtre à eau. Reportez-vous à l'illustration ci-dessous. Suivez ces étapes pour retirer le filtre à eau :

- 1 Tirez le rebord inférieur de l'assemblage de la grille et inclinez le cadre de la grille vers le haut.
- 2 Pour retirer la cartouche, pivotez-la dans le sens antihoraire d'un quart de tour et tirez vers l'extérieur. Reportez-vous à l'illustration ci-dessous.



Emplacement du filtre à eau.



Retrait du filtre à eau.

Achèvement

BUTÉE DE PORTE DE 90°

Les portes de tous les modèles s'ouvrent jusqu'à 110°. Une butée de porte de 90° est fournie avec l'unité (située derrière la grille). D'autres trousseaux de butée de porte à 90° sont offertes par tout dépositaire Sub-Zero autorisé.

▲ AVERTISSEMENT

Respectez toutes les lois provinciales et locales lors de l'entreposage, le recyclage ou l'élimination des réfrigérateurs et des congélateurs non utilisés.



SUB-ZERO, INC. P.O. BOX 44848 MADISON, WI 53744 SUBZERO.COM 800.222.7820

7027031 REV-A

7/2013

