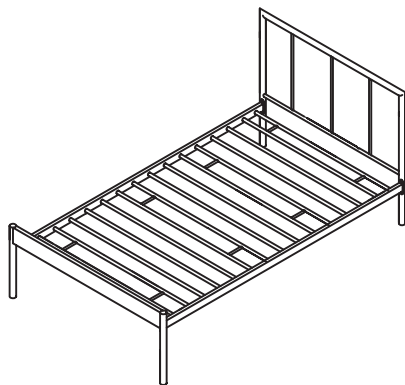





Thank you for purchasing the **MODWAY TWIN BED!**

Before you start, here is some helpful advice:

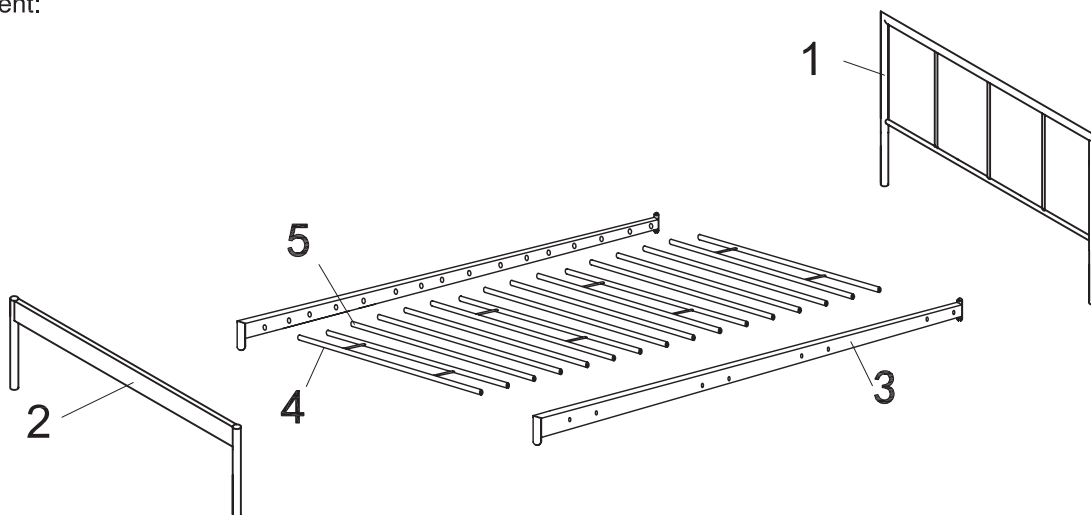
1. We suggest you spend a short time reading through this leaflet and then follow the simple step-by-step instructions.
2. Owing to the size and weight of the bed, we recommend that it is assembled by two adults, on a carpeted or padded area, in the room that it is intended for. Approximately assembly time: 45 minutes.
3. Please do not use any tools other than those provided or recommended in these instructions.
4. Please do not throw away any of the packaging or the instruction until you have checked all the components and hardware and the furniture is fully assembled. Please ensure that the packaging is disposed of in a safe and environmentally friendly way.
5. Assemble all components loosely until advised to tighten. Depending on use, it may be necessary to tighten the components from time to time, so please save the tools that has been provided.
6. Please keep all fitting out of reach of children.



### Hardware:

- A  **Bolt M6x20mm** x24
- B  Rubber Insert x16
- C  Allen Wrench x1

### Component:



- |   |             |    |   |             |    |
|---|-------------|----|---|-------------|----|
| 1 | Headboard   | x1 | 2 | Footboard   | x1 |
| 3 | Side Rail   | x2 | 4 | Double Slat | x4 |
| 5 | Single Slat | x8 |   |             |    |

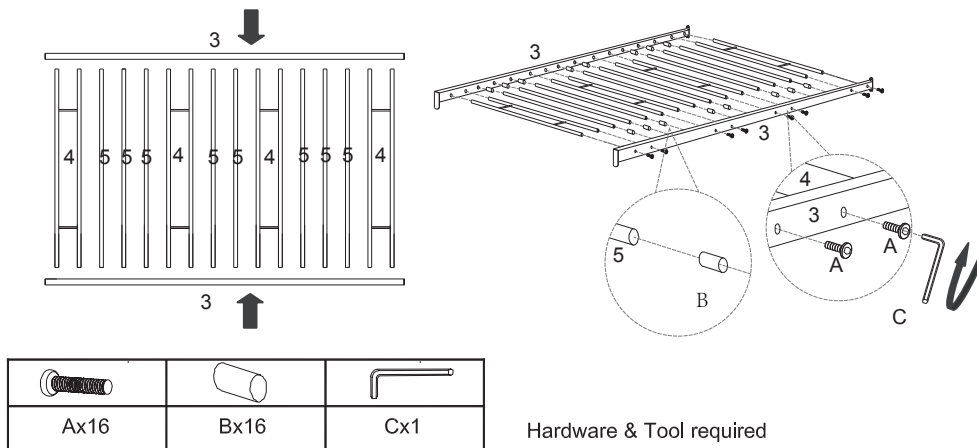
STEP 1:

Take out all **Double Slats (4)**, **Single Slats(5)** and **Side Rails(3)** and place them as shown.

Insert one end of **Single Slats (5)** into **Rubber Insert (B)**, then insert them into the corresponding holes on one piece of **Side Rail (3)** as shown.

Attach **Double Slats (4)** to the same **Side Rail (3)** by using **Bolts (A)**. Do not fully fixation **Bolts (A)** with **Allen Wrench (C)** yet. Repeat above for the other **Side Rail (3)**.

Use **Allen Wrench (C)** to fixation all **Bolts (A)** clockwise until secure.



STEP 2:

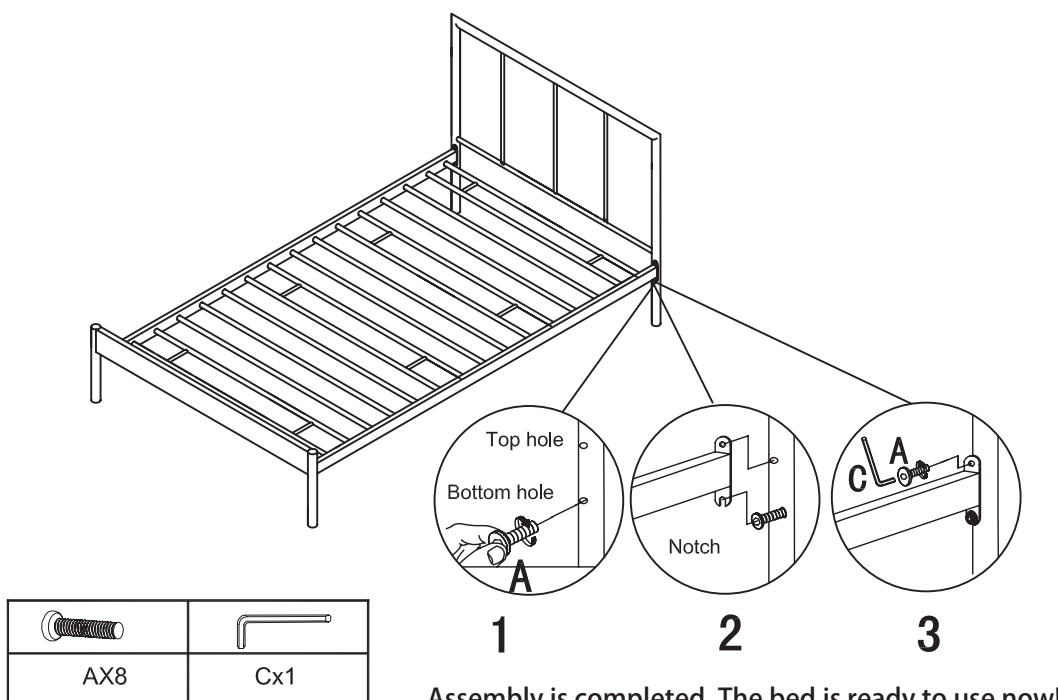
Insert **Bolts (A)** into the bottom holes on the assembled **Headboard (1)** & **Footboard (2)** by hand.

Leaving 0.3~0.4inch space of the thread of **Bolts (A)** as shown for inserting the notch of assembled **Side Rails (3&4&5)**.

Insert the notch of assembled **Side Rails(3&4&5)** into the space left on the **Bolts (A)**.

Screw **Bolts (A)** into the top holes on the assembled **Headboard (1)** & **Footboard (2)** as shown.

Tighten **Bolts (A)** with **Allen Wrench (C)** after all assembled.



Hardware & Tool required