

Pyramid Canopy Chimney Hood Duct Extension Accessory Kit HCPEXT4UC Black Stainless Steel



Features and Benefits

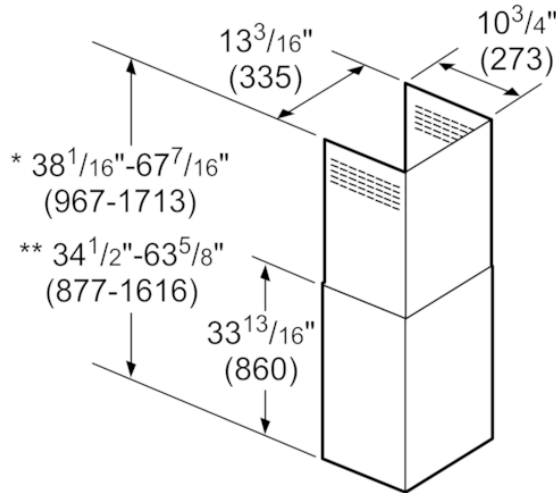


Notes: All height, width and depth dimensions are shown in inches. *Please refer to installation instructions prior to making cutout. BSH reserves the absolute and unrestricted right to change product materials and specifications, at any time, without notice. Consult the product's installation instructions for final dimensional data and other details. Applicable product warranty can be found in a accompanying product literature or you may contact your account manager for further details.

For more information on our entire line of products, go to boschappliances.com or call 1-800-944-2904.
Copyright ©2020 BSH Home Appliances Corporation. All rights reserved. Bosch is a registered trademark of Robert Bosch GmbH.

Litho Date: 11/2020

Pyramid Canopy Chimney Hood Duct Extension Accessory Kit HCPEXT4UC Black Stainless Steel



- * Recirculating installation
- ** Ducted installation

measurements in inches (mm)

Features

Accessory	
Brand	Bosch
Product name / series name	
SKU	HCPEXT4UC
Internal article number	000000000011027234
EAN code	4242005089604
Product packaging dimensions (HxWxD) (in)	13 5/16" x 41 3/4" x 16 15/16"
	22
	25
Quantity per packing unit	
Standard number of units per pallet	
UPC code	825225954538
Product image	MCSA02412698_i5197_1798105_HCPEXT4UC_02_

Technical Specification

Notes: All height, width and depth dimensions are shown in inches. *Please refer to installation instructions prior to making cutout. BSH reserves the absolute and unrestricted right to change product materials and specifications, at any time, without notice. Consult the product's installation instructions for final dimensional data and other details. Applicable product warranty can be found in a accompanying product literature or you may contact your account manager for further details.

For more information on our entire line of products, go to boschappliances.com or call 1-800-944-2904.
Copyright ©2020 BSH Home Appliances Corporation. All rights reserved. Bosch is a registered trademark of Robert Bosch GmbH.

Litho Date: 11/2020